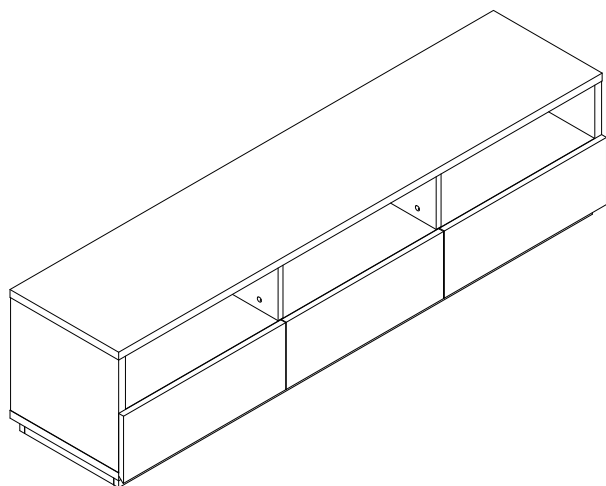
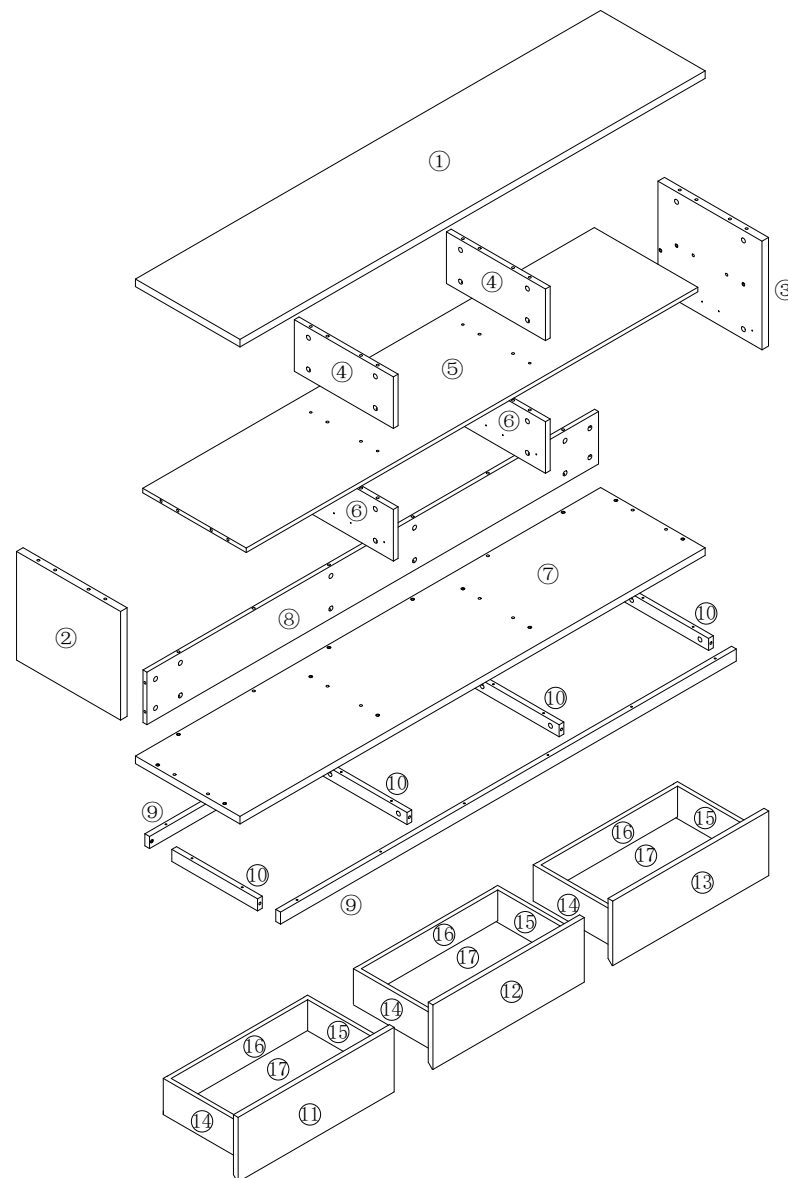



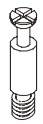


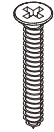

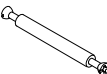

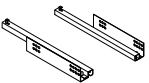
Assembly Instructions

TRESERO-70 Media Stand



PLEASE NOTE: Check that you have received all components and hardware before assembling. If you are missing any parts, contact your retailer.

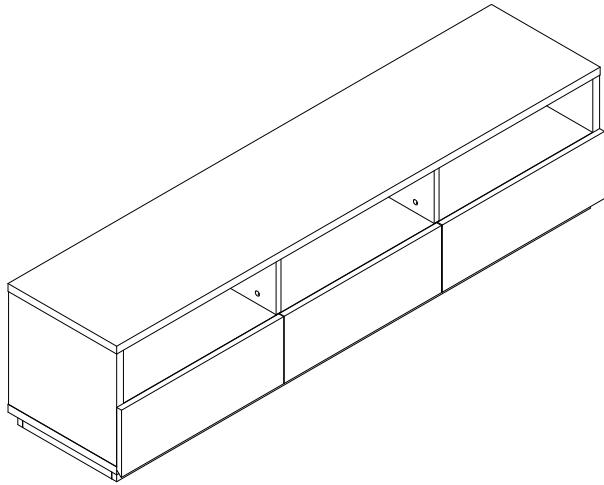


- | | | | | |
|---|---|---|---|---|
|  |  |  |  |  |
| A (24 pcs)
Ø8x30mm | B (52 pcs)
M7x35mm | C (52 pcs)
M7x35mm | D (52 pcs)
Ø20x1mm | E (32 pcs)
M4x35mm |
|  |  |  |  | |
| F (4 pcs)
Ø8x40mm | G (4 pcs)
Ø7x80mm | H (24 pcs)
M4x15mm | I (3 pcs)
450mm | |

During assembly, hand tighten screws only. When the screws are in place, tighten completely.

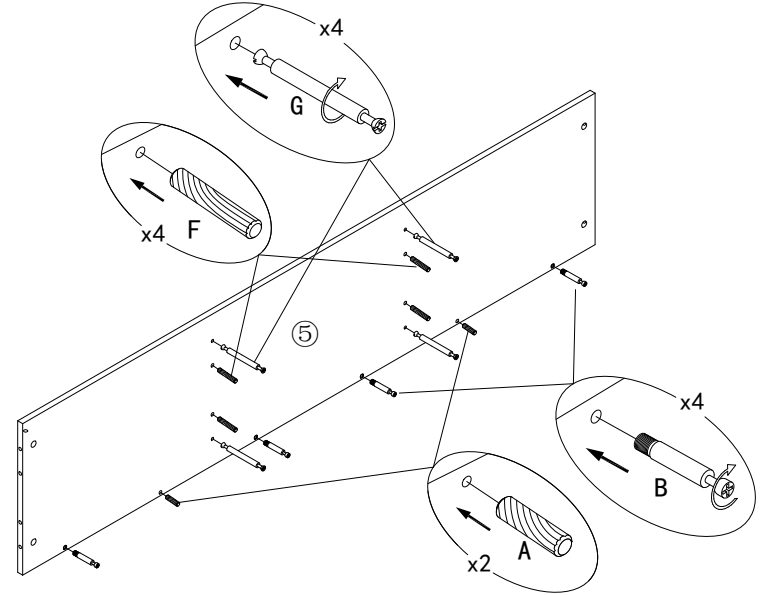
Assembly Instructions

TRESERO-70 Media Stand

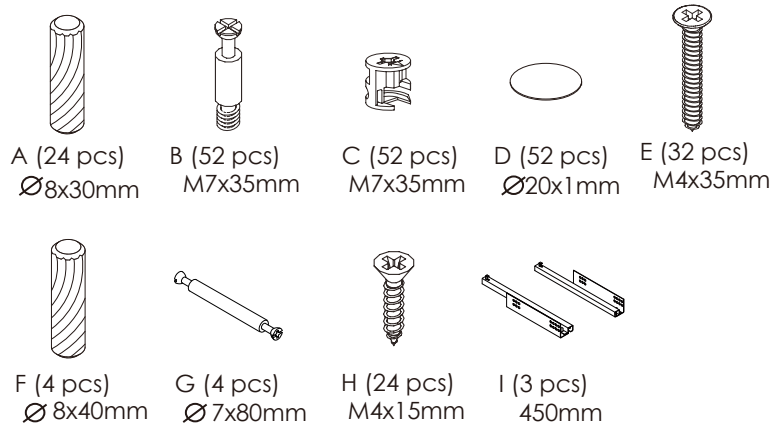
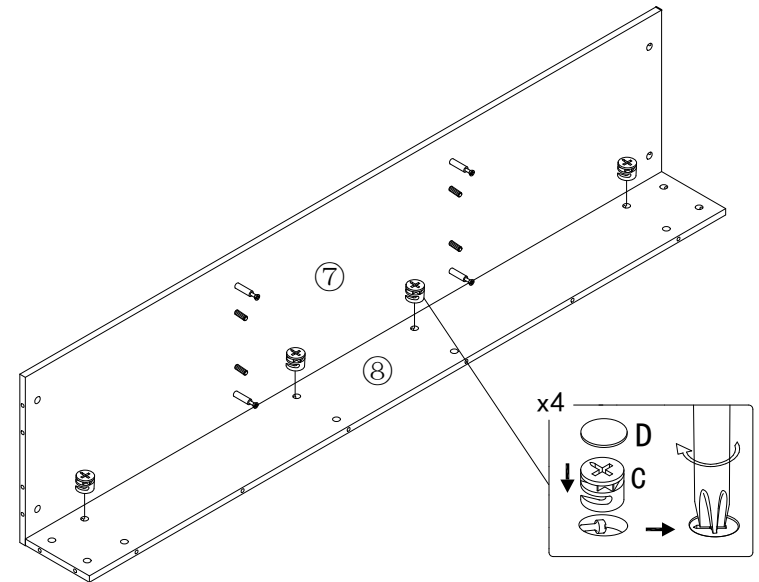


PLEASE NOTE: Check that you have received all components and hardware before assembling. If you are missing any parts, contact your retailer.

1.



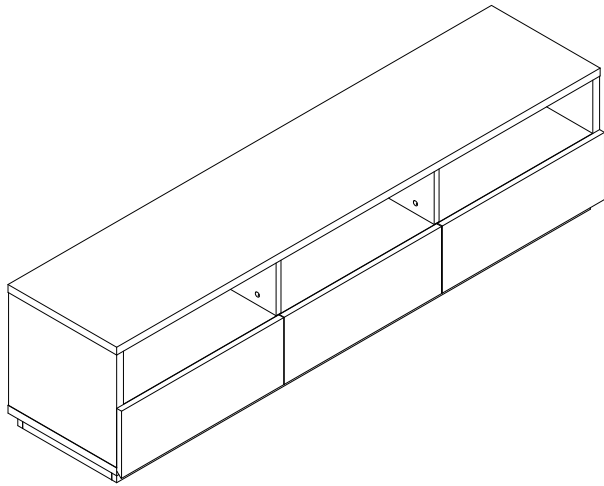
2.



During assembly, hand tighten screws only. When the screws are in place, tighten completely.

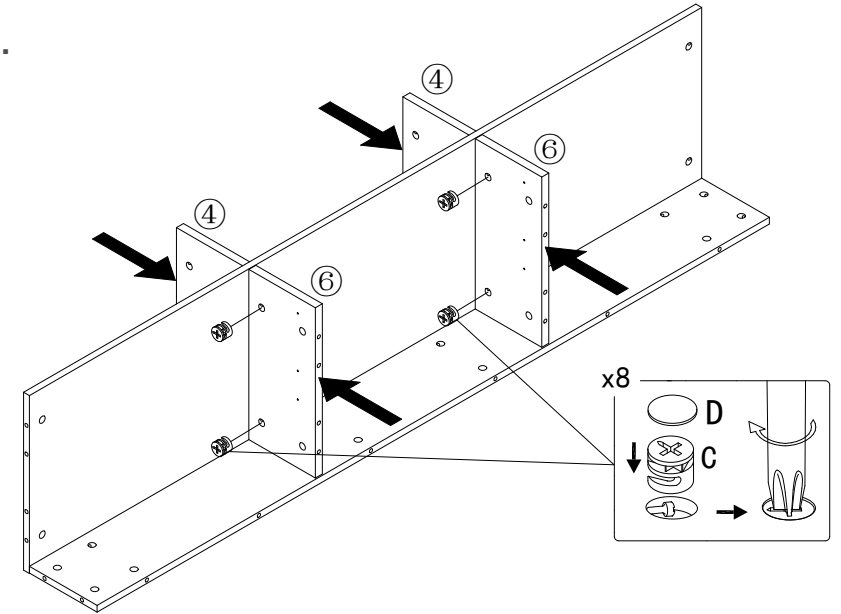
Assembly Instructions

TRESERO-70 Media Stand

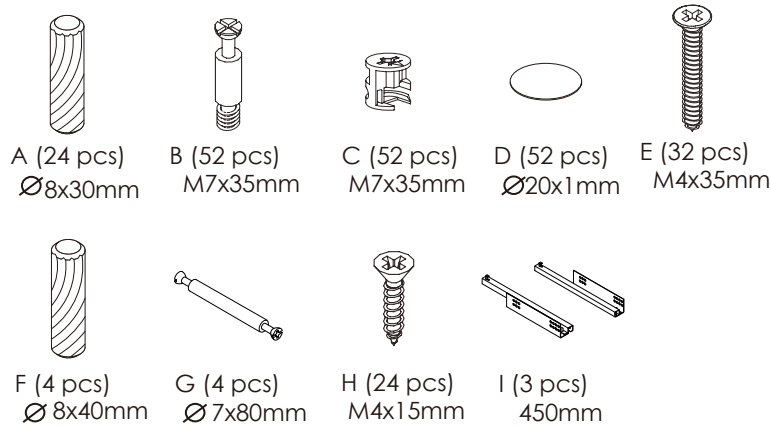
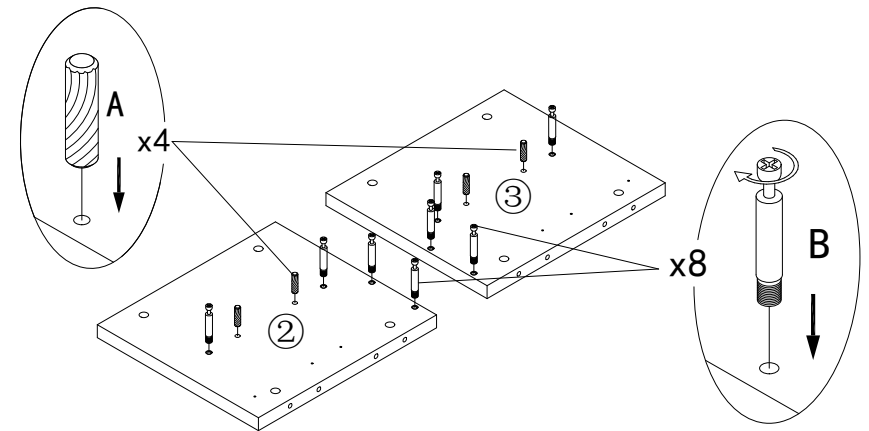


PLEASE NOTE: Check that you have received all components and hardware before assembling. If you are missing any parts, contact your retailer.

3.



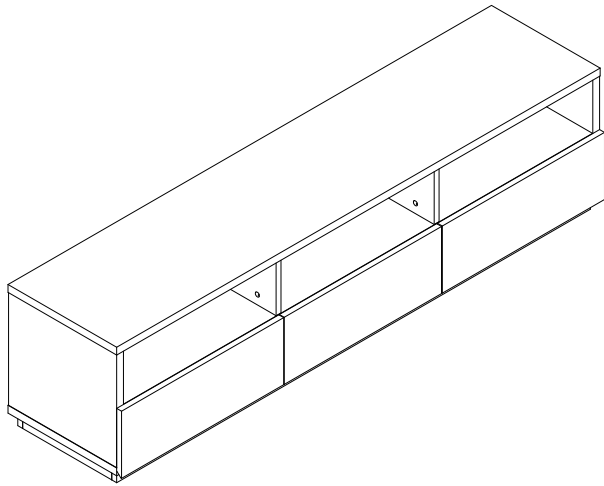
4.



During assembly, hand tighten screws only. When the screws are in place, tighten completely.

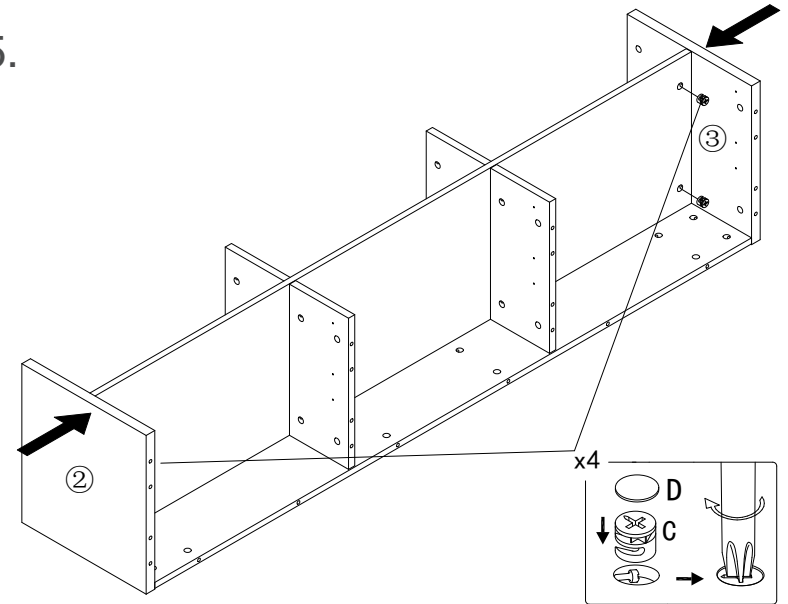
Assembly Instructions

TRESERO-70 Media Stand

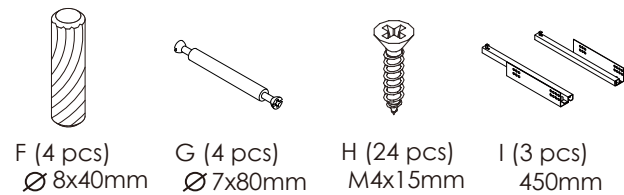
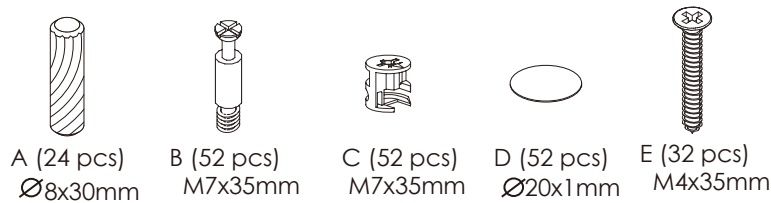
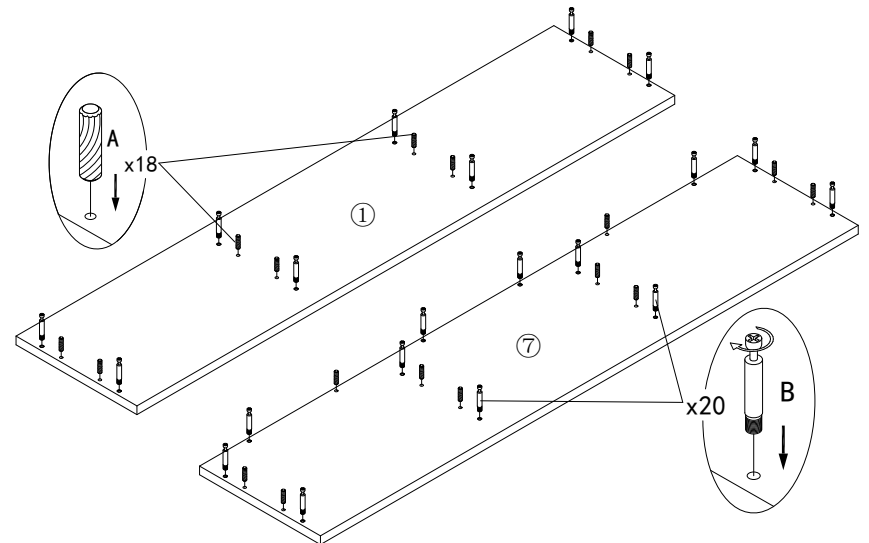


PLEASE NOTE: Check that you have received all components and hardware before assembling. If you are missing any parts, contact your retailer.

5.



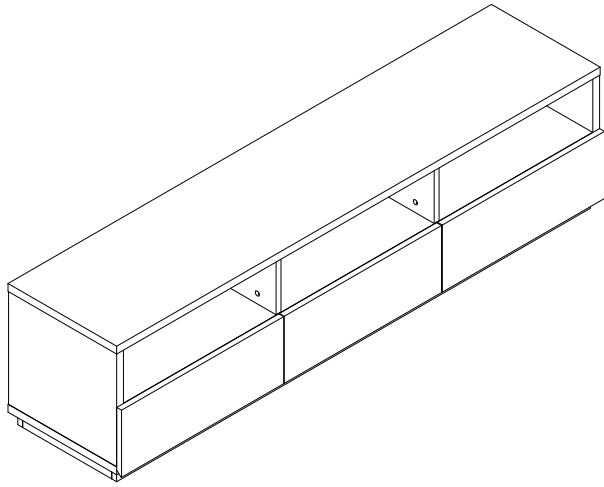
6.



During assembly, hand tighten screws only. When the screws are in place, tighten completely.

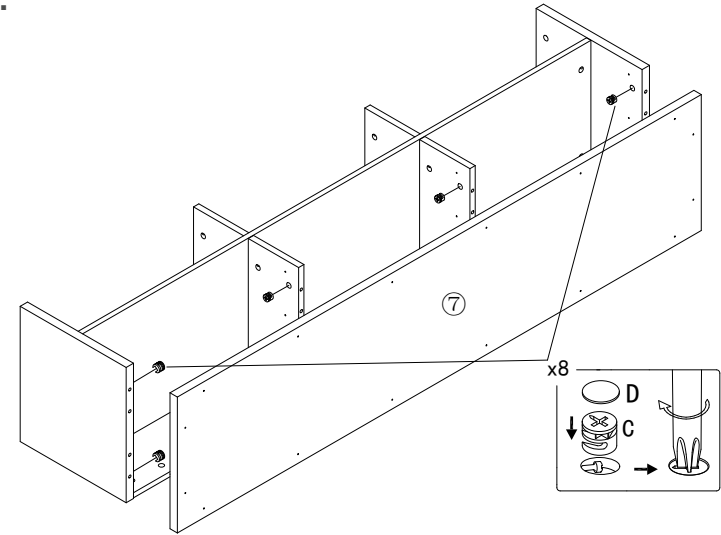
Assembly Instructions

TRESERO-70 Media Stand

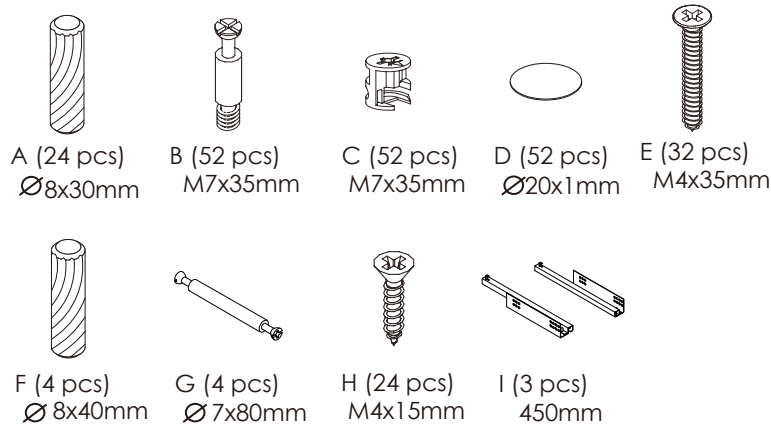
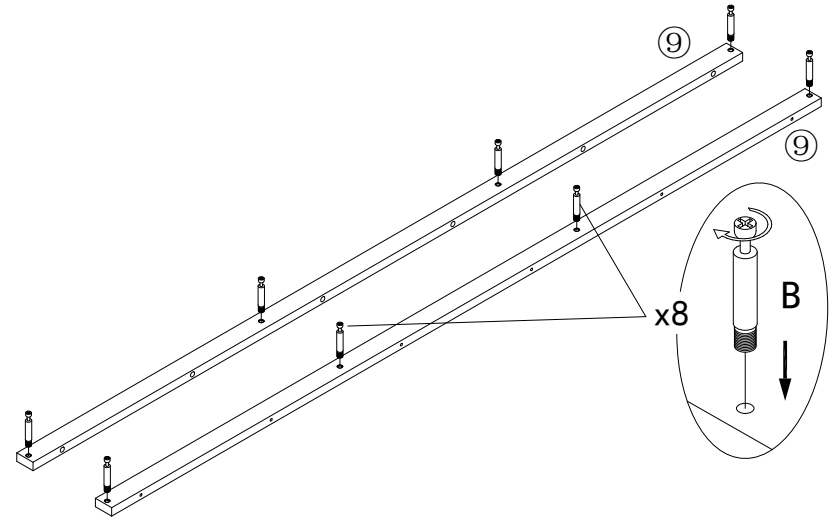


PLEASE NOTE: Check that you have received all components and hardware before assembling. If you are missing any parts, contact your retailer.

7.



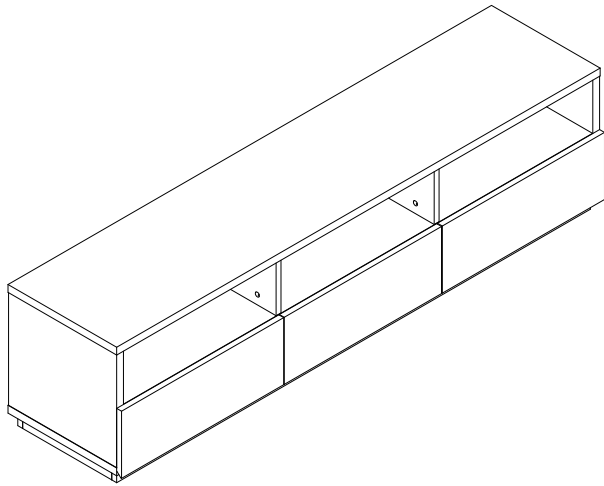
8.



During assembly, hand tighten screws only. When the screws are in place, tighten completely.

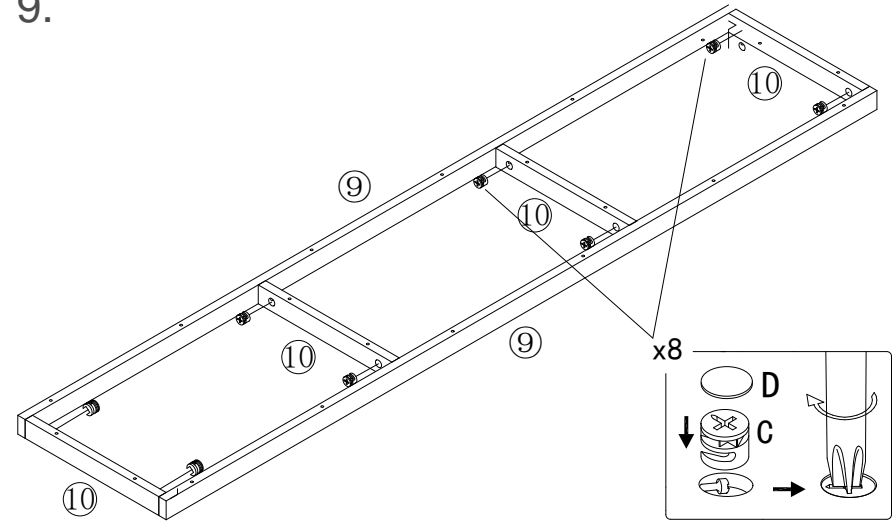
Assembly Instructions

TRESERO-70 Media Stand

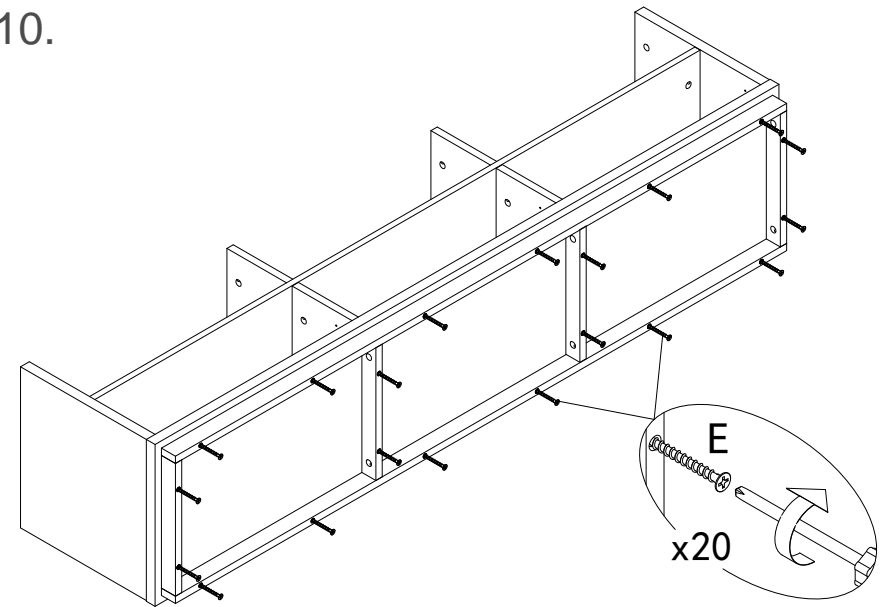






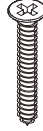

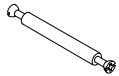

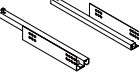
PLEASE NOTE: Check that you have received all components and hardware before assembling. If you are missing any parts, contact your retailer.

9.



10.

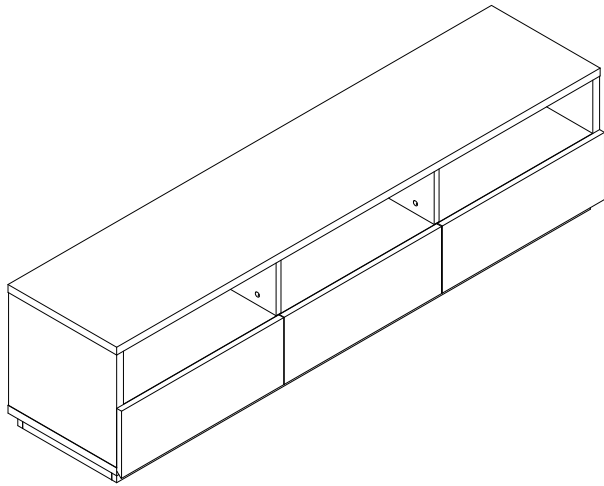


- | | | | | |
|--|--|--|--|--|
| 
A (24 pcs)
Ø8x30mm | 
B (52 pcs)
M7x35mm | 
C (52 pcs)
M7x35mm | 
D (52 pcs)
Ø20x1mm | 
E (32 pcs)
M4x35mm |
| 
F (4 pcs)
Ø8x40mm | 
G (4 pcs)
Ø7x80mm | 
H (24 pcs)
M4x15mm | 
I (3 pcs)
450mm | |

During assembly, hand tighten screws only. When the screws are in place, tighten completely.

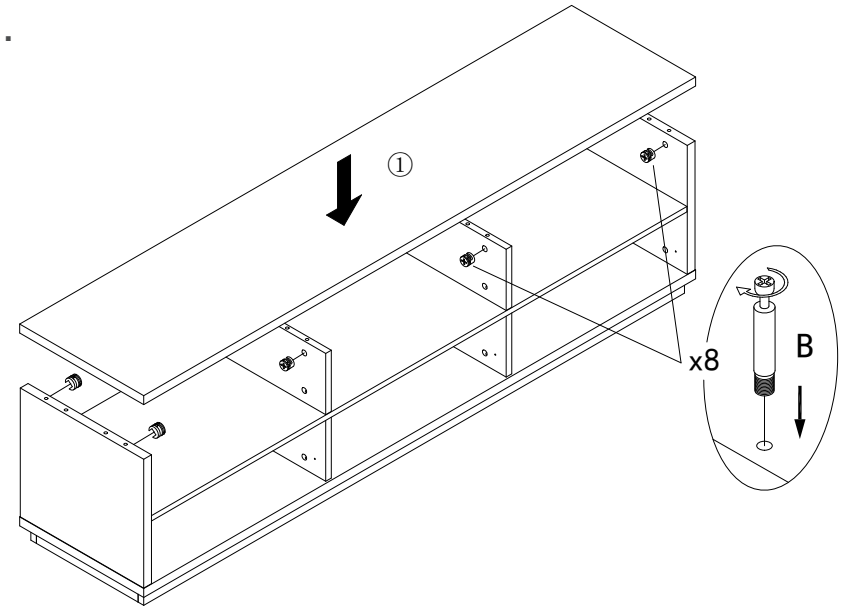
Assembly Instructions

TRESERO-70 Media Stand

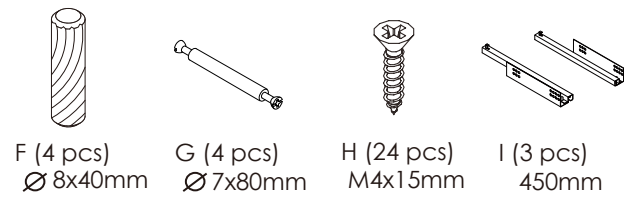
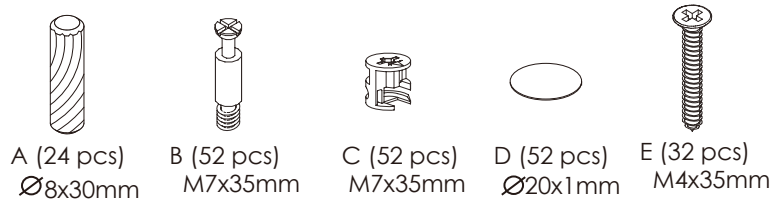
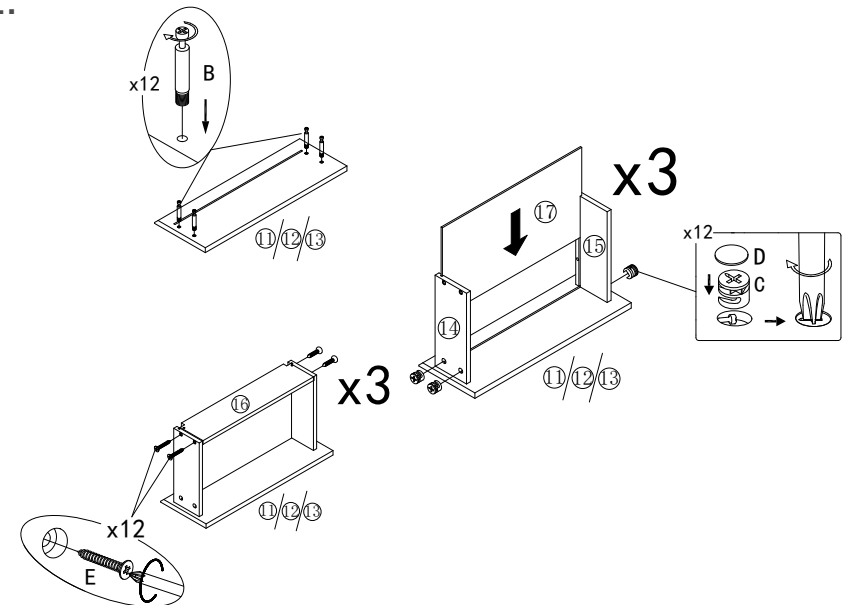


PLEASE NOTE: Check that you have received all components and hardware before assembling. If you are missing any parts, contact your retailer.

11.



12.

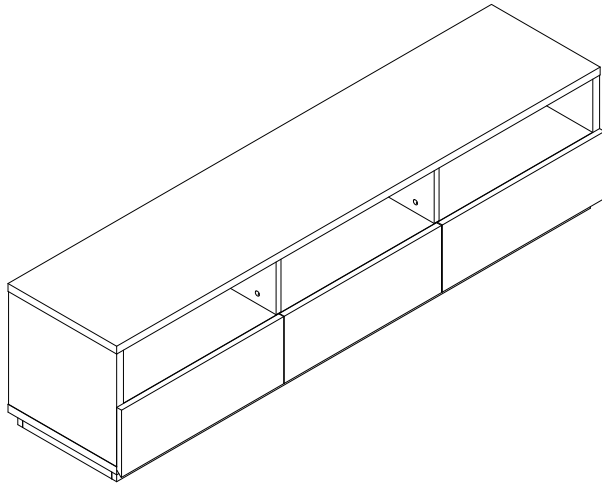


During assembly, hand tighten screws only. When the screws are in place, tighten completely.

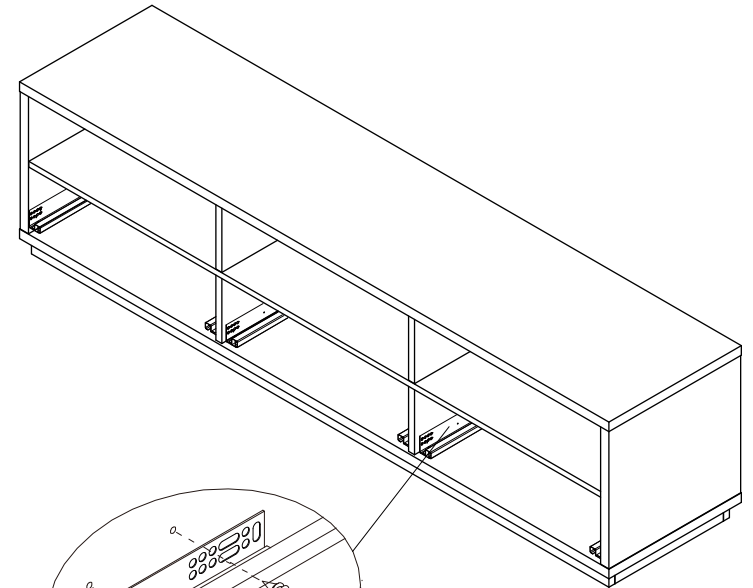
Assembly Instructions







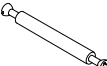
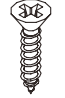
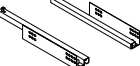
TRESERO-70 Media Stand

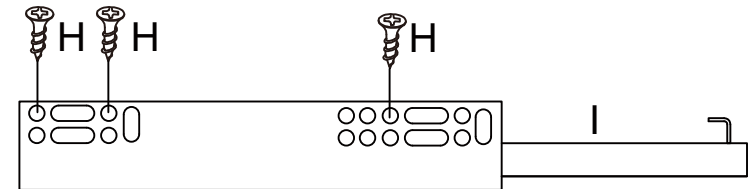
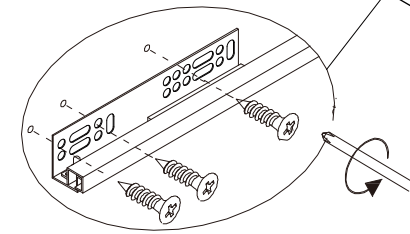
PLEASE NOTE: Check that you have received all components and hardware before assembling. If you are missing any parts, contact your retailer.



13.



- | | | | | |
|---|---|---|---|---|
|  |  |  |  |  |
| A (24 pcs)
Ø8x30mm | B (52 pcs)
M7x35mm | C (52 pcs)
M7x35mm | D (52 pcs)
Ø20x1mm | E (32 pcs)
M4x35mm |
|  |  |  |  | |
| F (4 pcs)
Ø8x40mm | G (4 pcs)
Ø7x80mm | H (24 pcs)
M4x15mm | I (3 pcs)
450mm | |

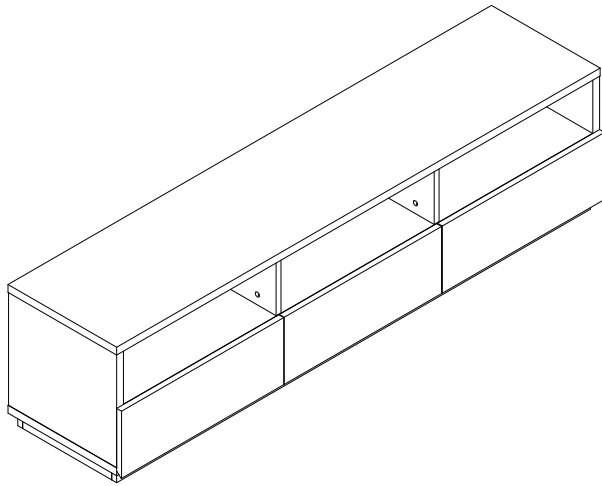








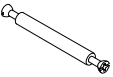

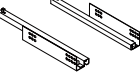
During assembly, hand tighten screws only. When the screws are in place, tighten completely.

Assembly Instructions

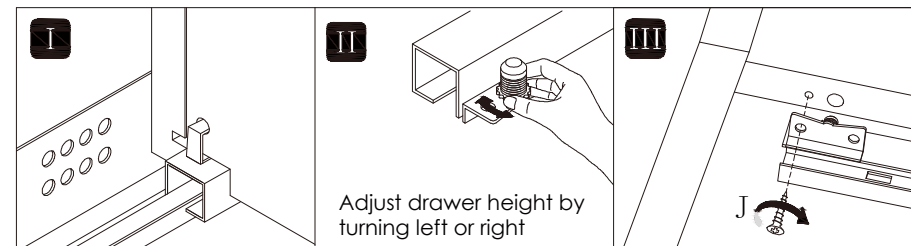
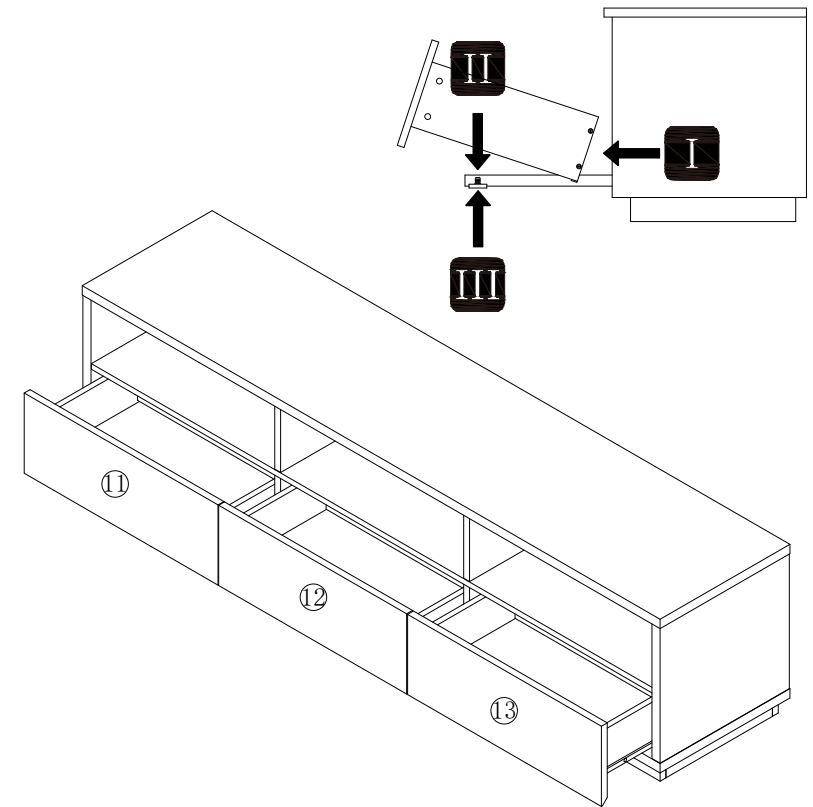
TRESERO-70 Media Stand

PLEASE NOTE: Check that you have received all components and hardware before assembling. If you are missing any parts, contact your retailer.



- A (24 pcs)  Ø8x30mm
- B (52 pcs)  M7x35mm
- C (52 pcs)  M7x35mm
- D (52 pcs)  Ø20x1mm
- E (32 pcs)  M4x35mm
- F (4 pcs)  Ø8x40mm
- G (4 pcs)  Ø7x80mm
- H (24 pcs)  M4x15mm
- I (3 pcs)  450mm

14.



During assembly, hand tighten screws only. When the screws are in place, tighten completely.