

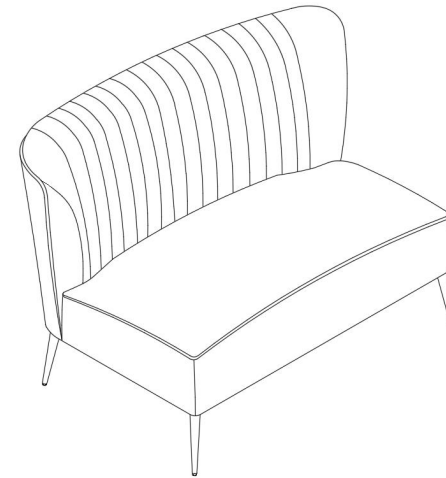
WARRANTY

We strive to offer high-quality products, and we also try our best to satisfy each and every customer that orders from us with product or service as needed. We provide 30 days warranty starting from the time you receive the item. Each customer must provide a record of their order such as the order number, or item receipt for any items that are out of the warranty period you may also still receive replacement parts by purchasing them with our company if they are available.

**Are you having difficulty
with assembly? Missing parts?**

**For return, please check the return policy with
the retailer or market place you bought from.**

**Appreciate your purchasing from us.
Pop up your life by our furniture piece!**



NOTE:

This brochure contains IMPORTANT safty info. Please read and keep for future reference.

MAINTAINANCE AND WARNING

- Keep furniture away from heat.
- Do not clean furniture with harsh cleansers or polish. Do not use detergents, Solvents, abrasives, spray packs or leather cleaner. Use non-color mild soap with warm water clean spills(Mix 1:10 soap to water)
- Do not place furniture under direct sunlight, material will possibly fade over time.
- Do not use on site dry Cleaning machine.
- Children should not climb or jump on the furniture.
- Do not write on furniture without a padded barrier to protect the surface.
- Not for commercial use, For residential use only.

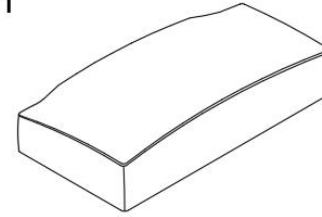


Weight Limitation

500LBS

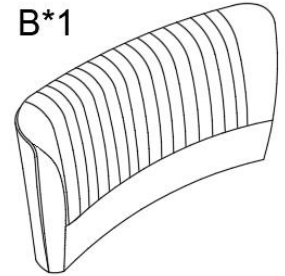
PARTS LIST

A*1



Seat Frame

B*1



Back

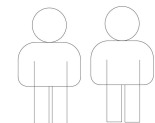
C*4



Legs

Persons Required For Assembly:

2Personen



HARDWARE LIST

①*8
M8*55mm



Bolt

②*12
M6*20mm



Bolt

③*8



Flat washer

④*8



Spring wahser

⑤*1
M8



Allen key

⑥*1
M6



Allen key

SPARE

①*1
M8*55mm



Bolt

②*1
M6*20mm



Bolt

③*1



Flat washer

④*1



Spring wahser

⑦*1

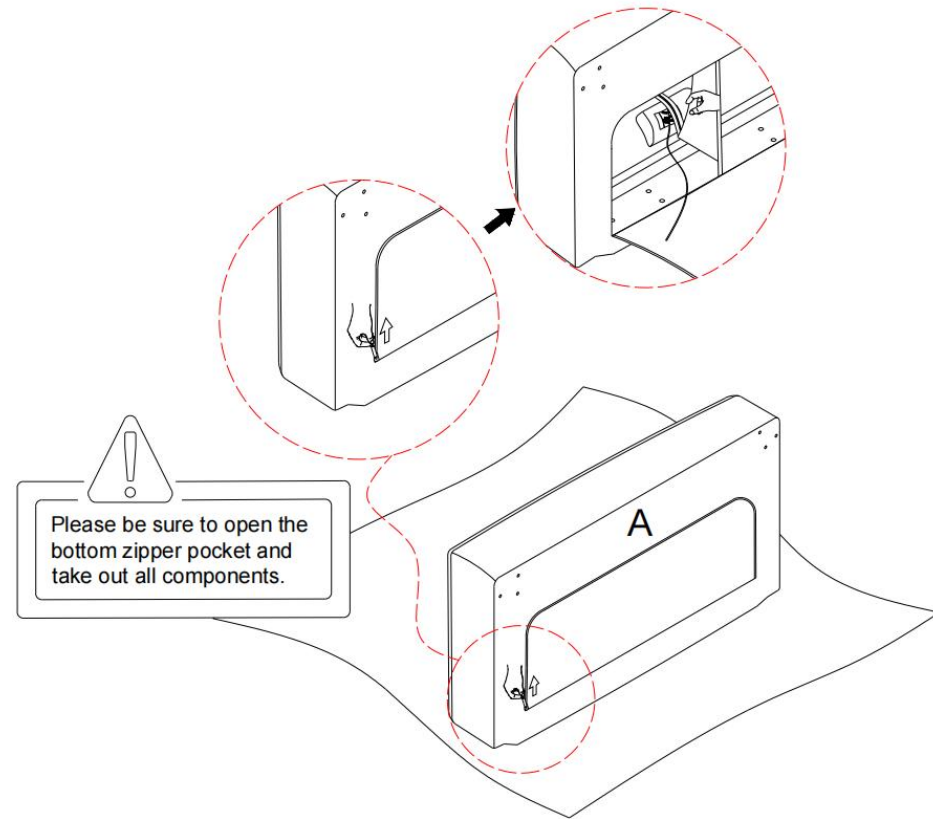


Adjust the leg

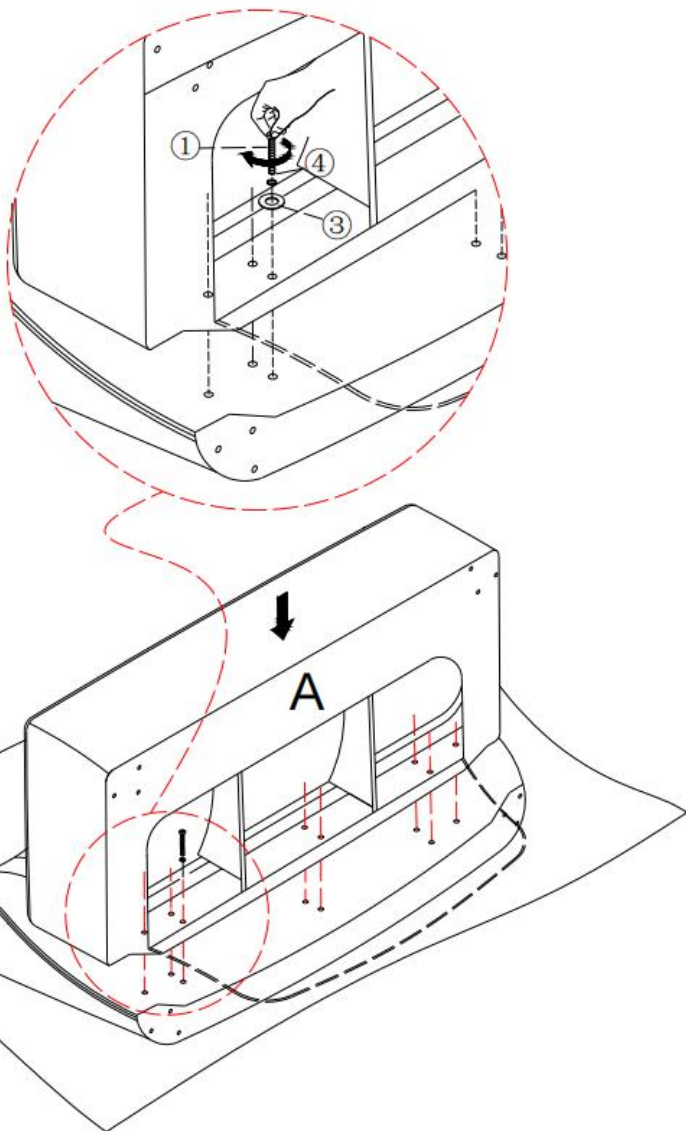
Be sure to check all packing material carefully for small parts, which may have come loose inside the carton during shipment.

ASSEMBLY INSTRUCTIONS

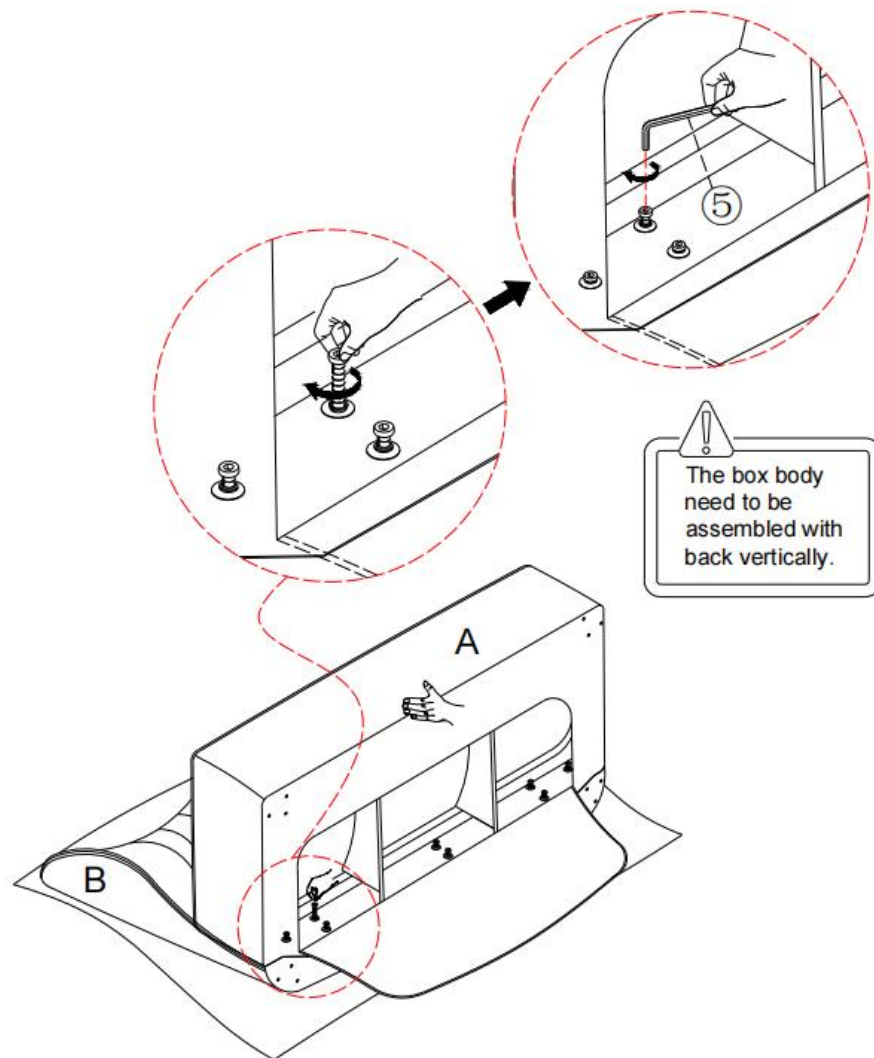
STEP 1



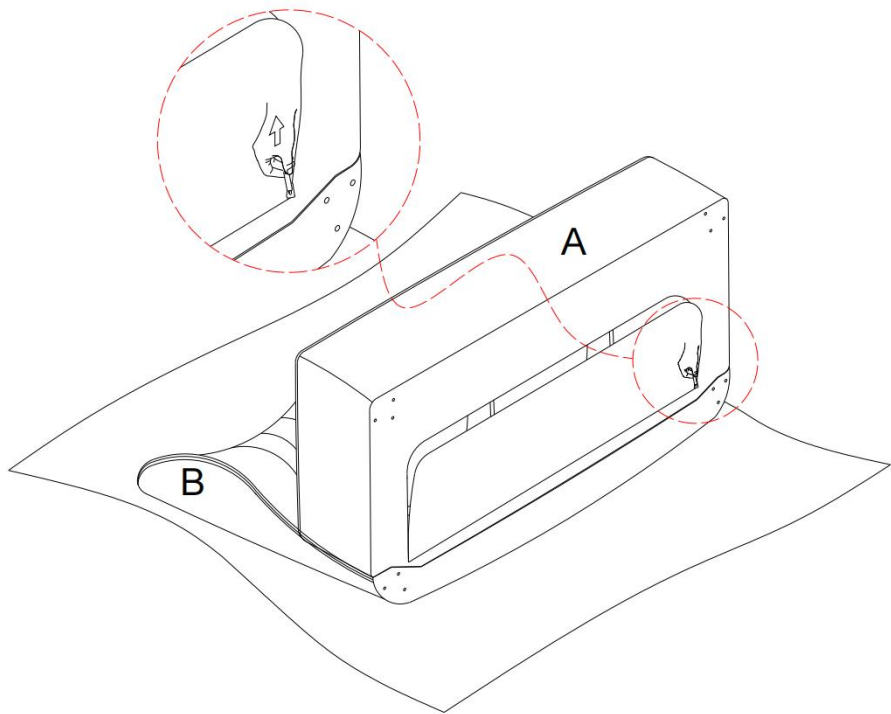
STEP 2



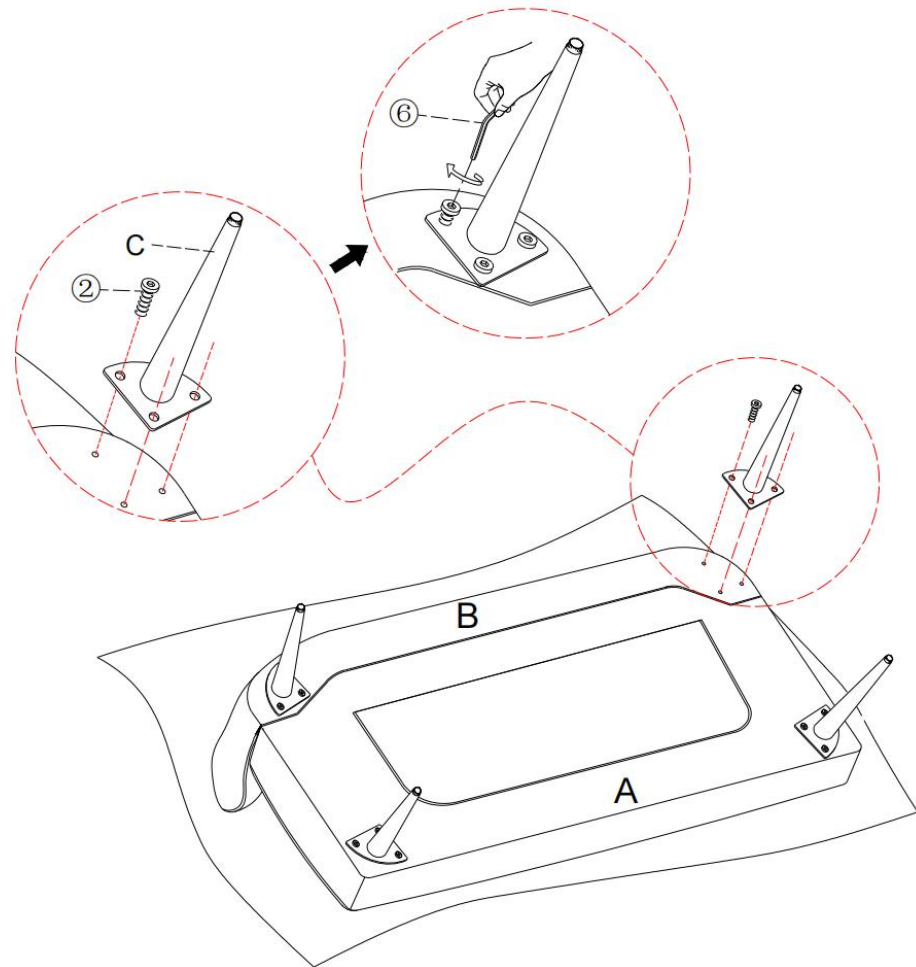
STEP 3



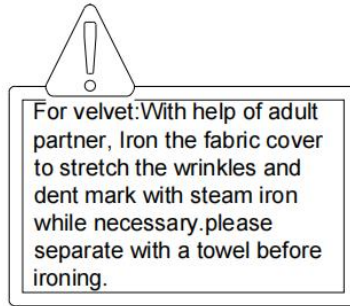
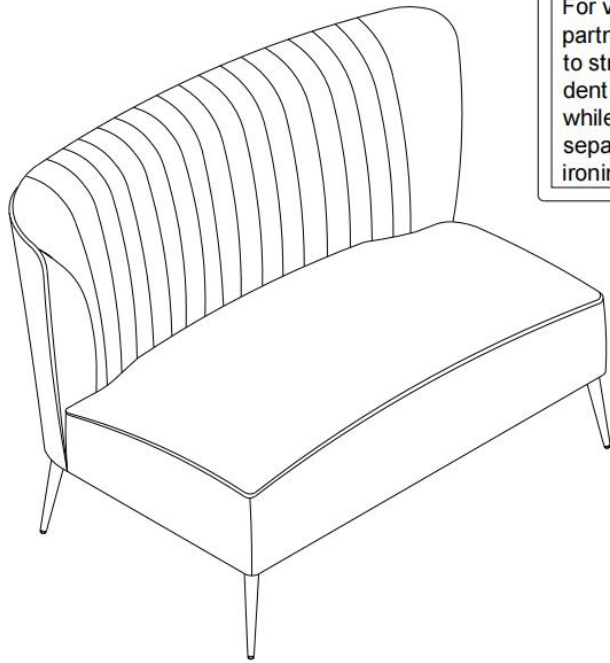
STEP 4



STEP 5



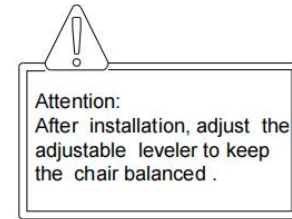
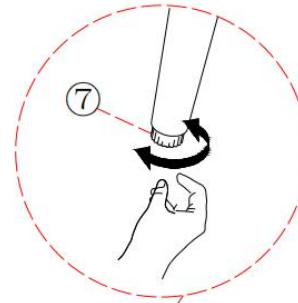
STEP 6



For velvet: With help of adult partner, iron the fabric cover to stretch the wrinkles and dent mark with steam iron while necessary. please separate with a towel before ironing.

Assembly completed.

STEP 7



Attention:
After installation, adjust the adjustable leveler to keep the chair balanced.

