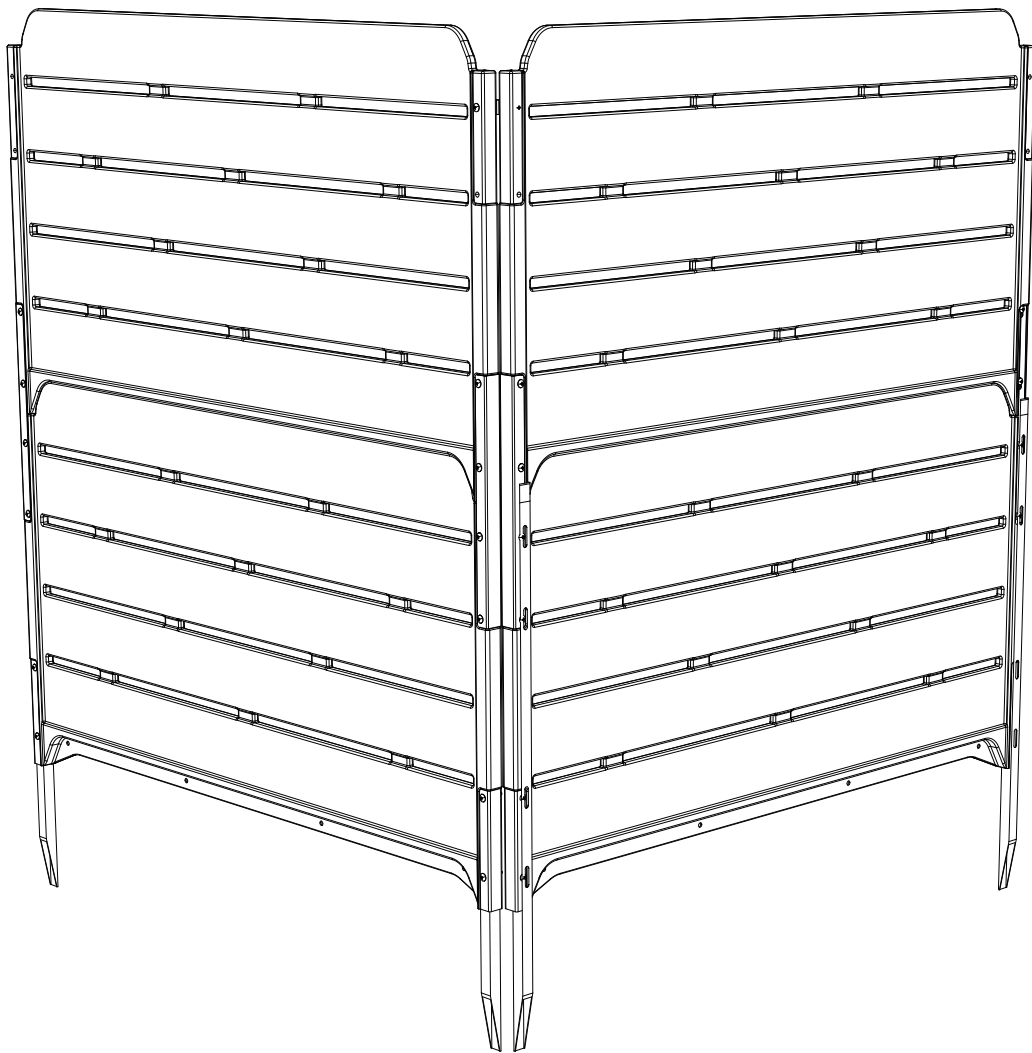


Large fence Installation instructions



Installation tool (Installation tools are not included in the package)



Electric drill



Rubber hammer
Wooden hammer

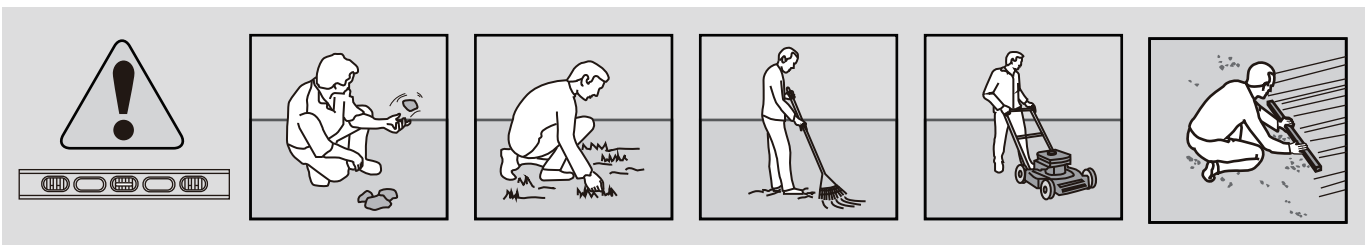


screwdriver

Matters needing attention

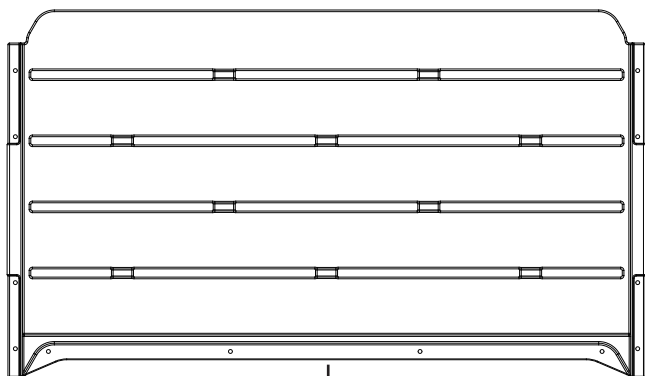
1. Before installation, check the parts according to the parts list to ensure that the parts are not damaged, if you find anything wrong please contact us.
2. Install all accessories according to the installation instructions.
3. Take out the accessories and install them on a horizontal floor.
4. The company does not bear the loss due to the damage of the parts caused by the incorrect installation method, and the customer shall bear the loss.

Horizontal floor

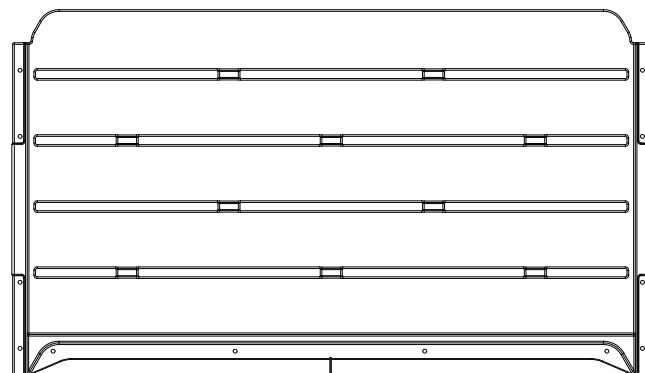


For better installation, please tidy the ground before installation and keep the ground level.

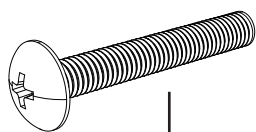
Parts List



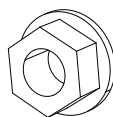
A
Down fence
2pcs



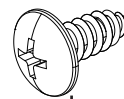
B
Top fence
2pcs



S1
Cross large flat head bolt
30pcs (spare 2pcs)



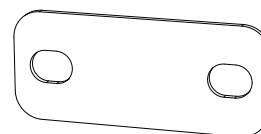
N
nut
30pcs (spare 2pcs)



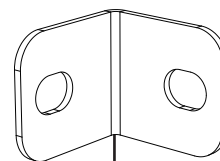
S2
Cross large flat head
self-tapping
9pcs (spare 1pc)



D
Fence connector
4pcs



E-1
Fixed plate 1
2pcs



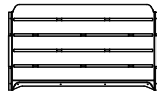
E-2
Fixed plate 2
2pcs

Note: Installation cable

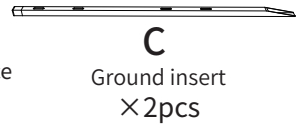


C
Ground insert
4pcs

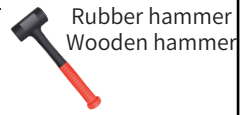
1 Mounting Ground insert



A
Down fence
× 1pc

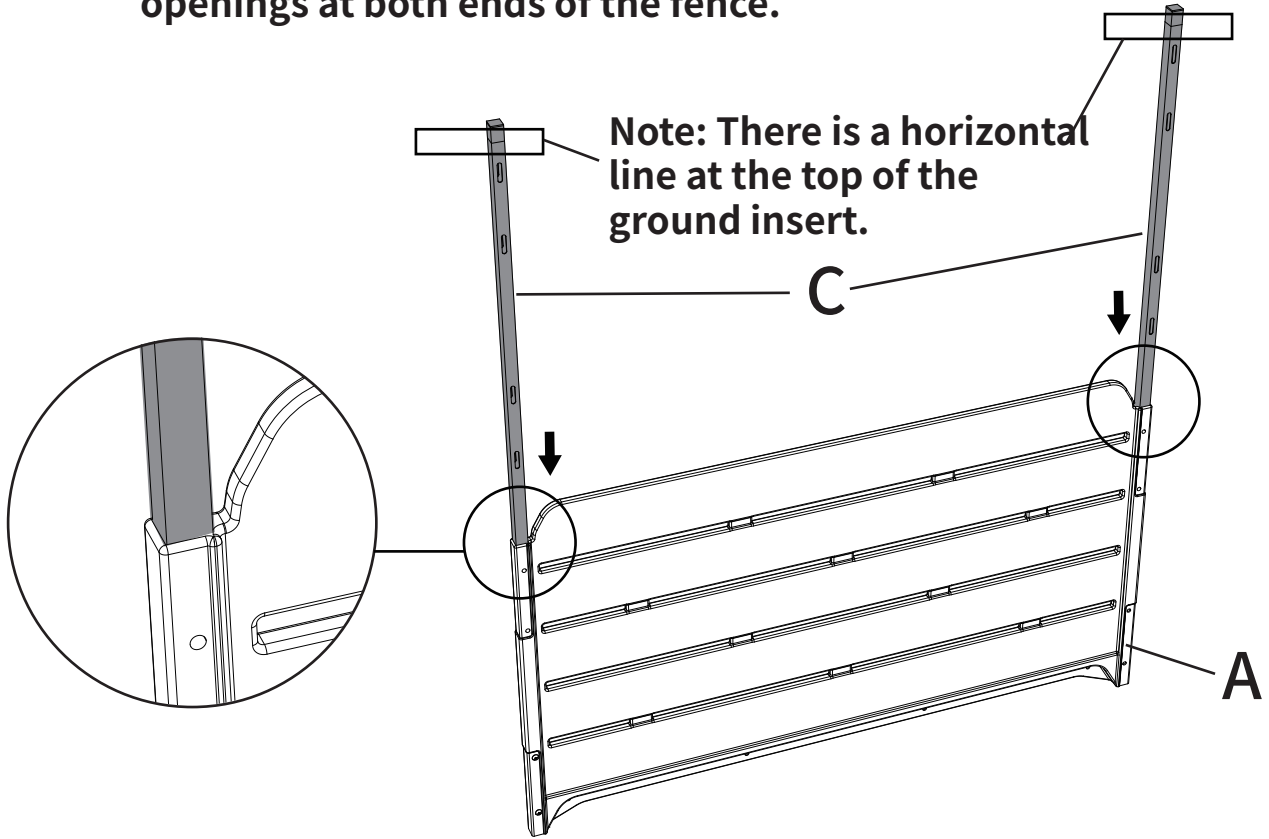


C
Ground insert
× 2pcs



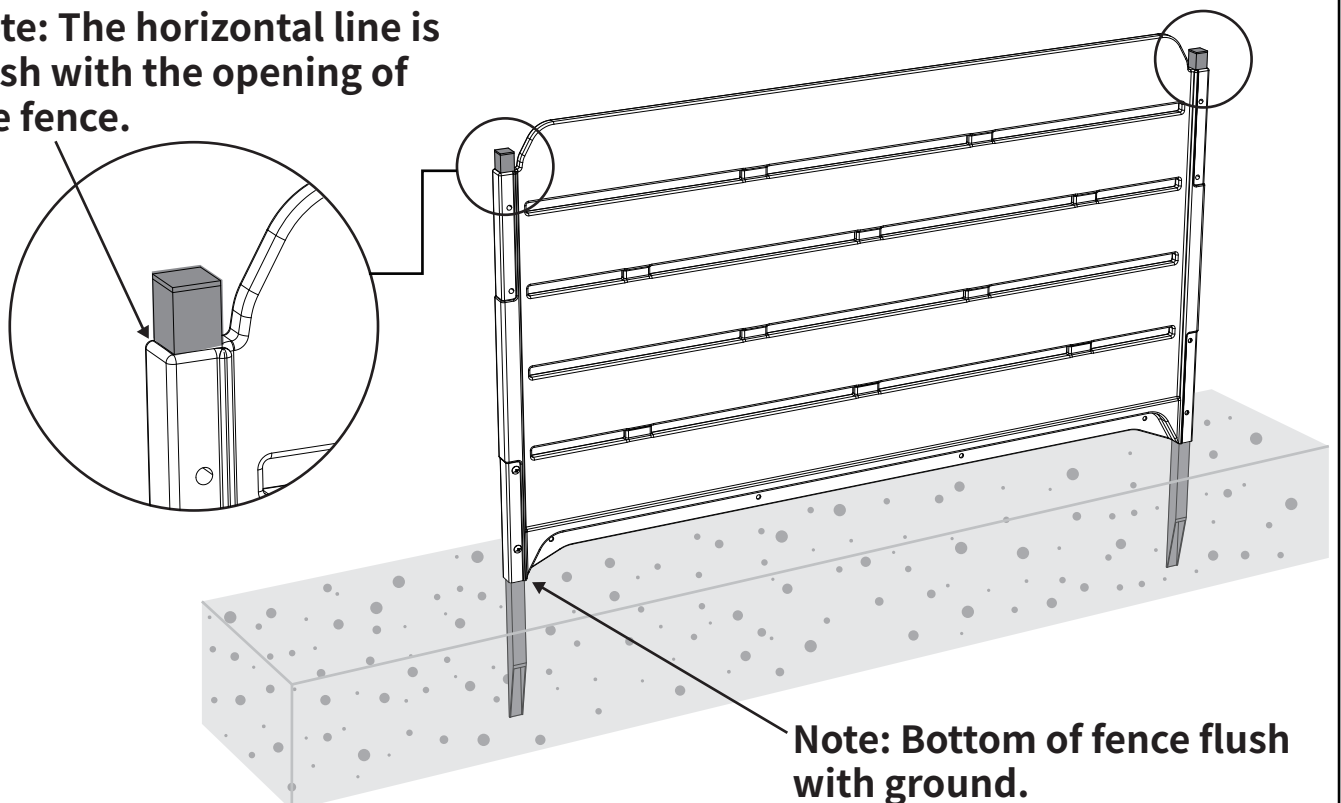
Rubber hammer
Wooden hammer

1 The ground insert is inserted from the top down through the openings at both ends of the fence.

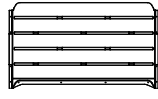


2 Hammer the ground insert into the ground

Note: The horizontal line is flush with the opening of the fence.



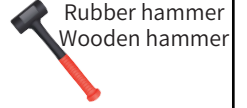
2 Down fence installation



A
Down fence
×1pc

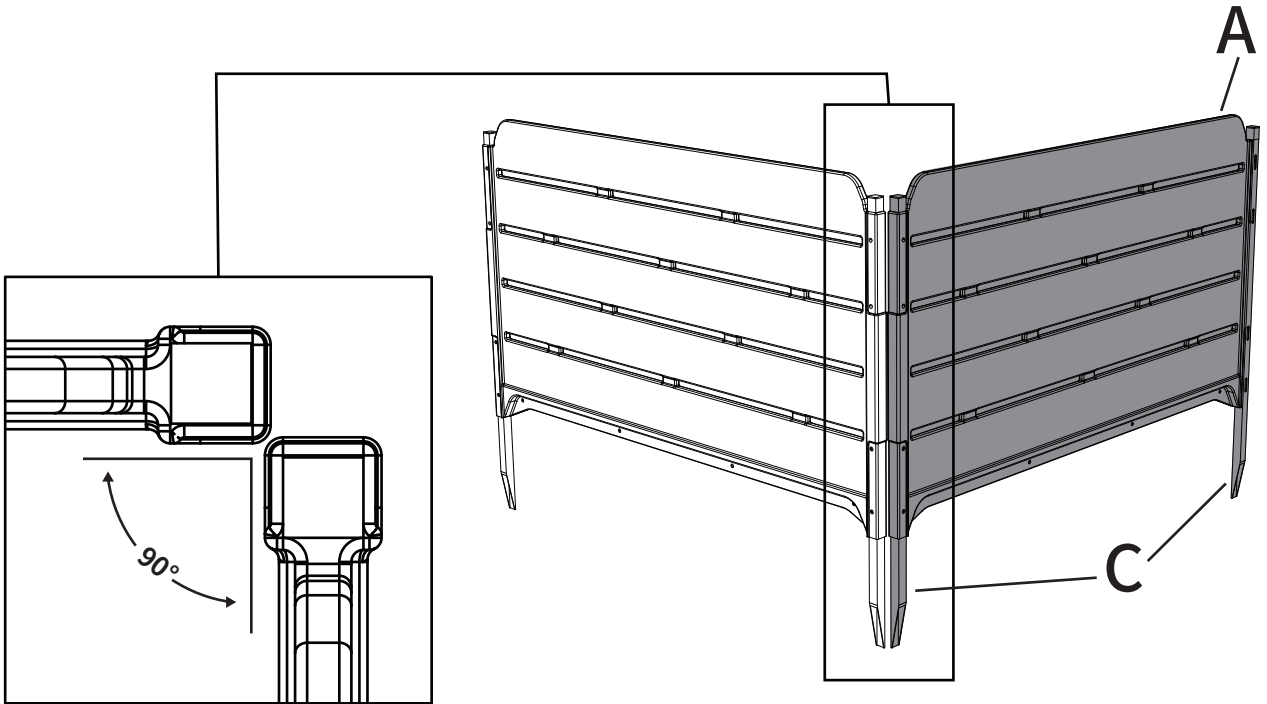


C
Ground insert
×2pcs

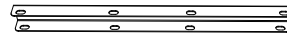


Rubber hammer
Wooden hammer

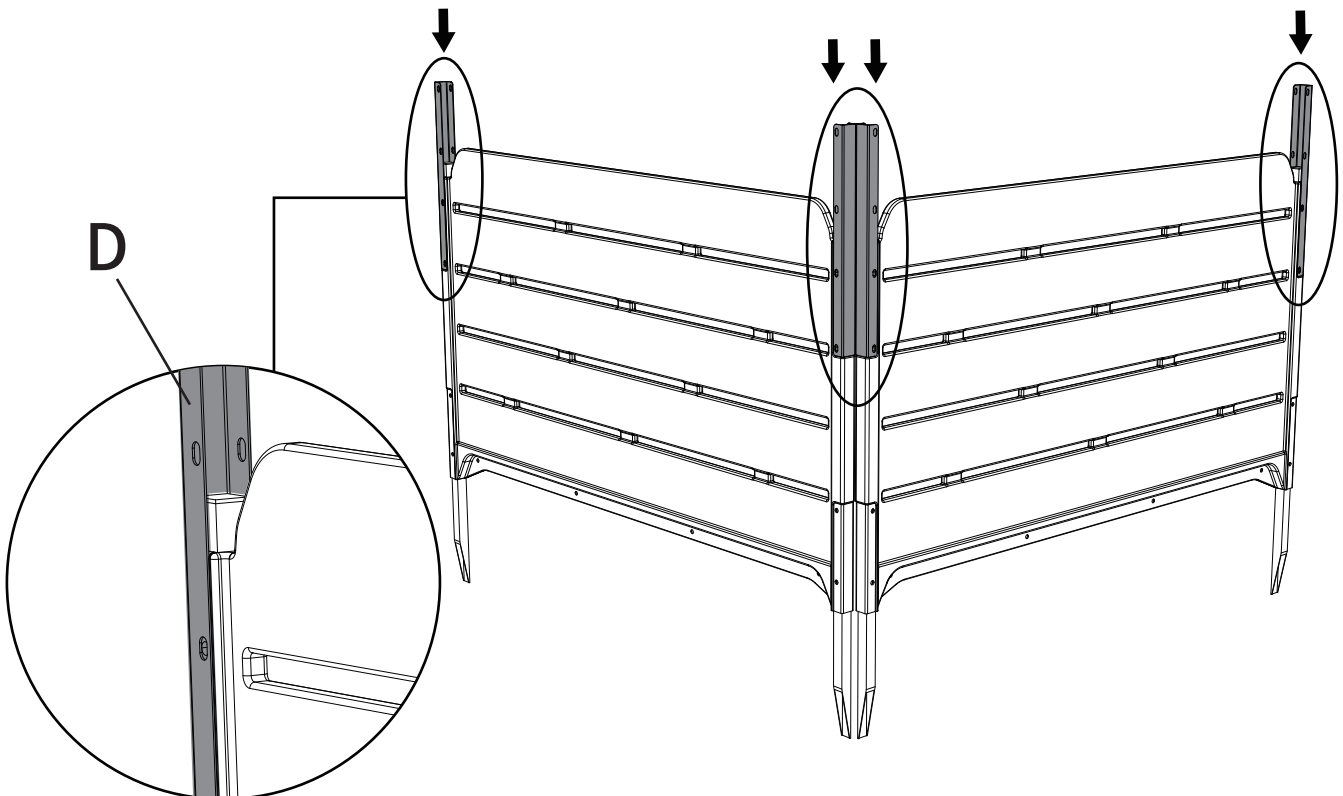
Install the second fence with an Angle of 90° as described in Step 1.



3 Fence connector installation

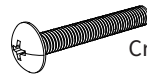


D
Fence connector
×4pcs



4

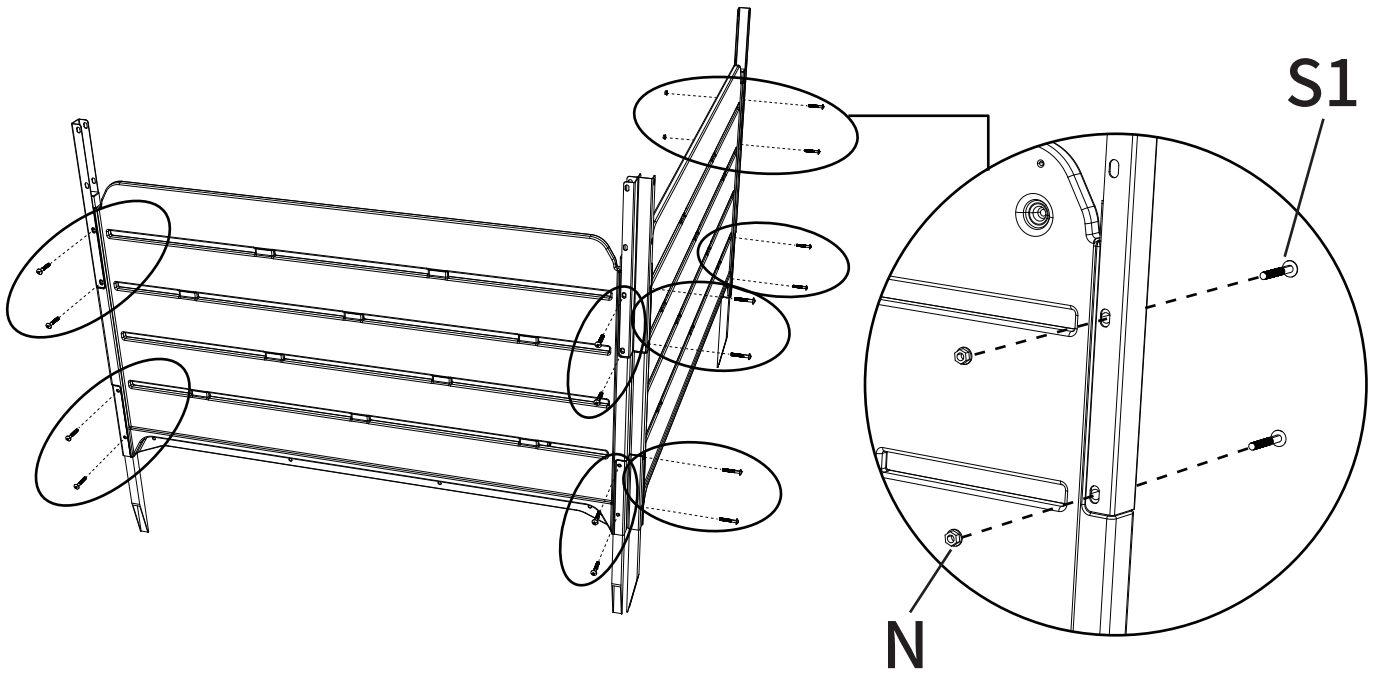
Down fence screws secure



S1
Cross large flat head bolt
× 16pcs

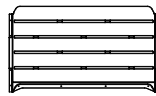


N
Nut
× 16pcs

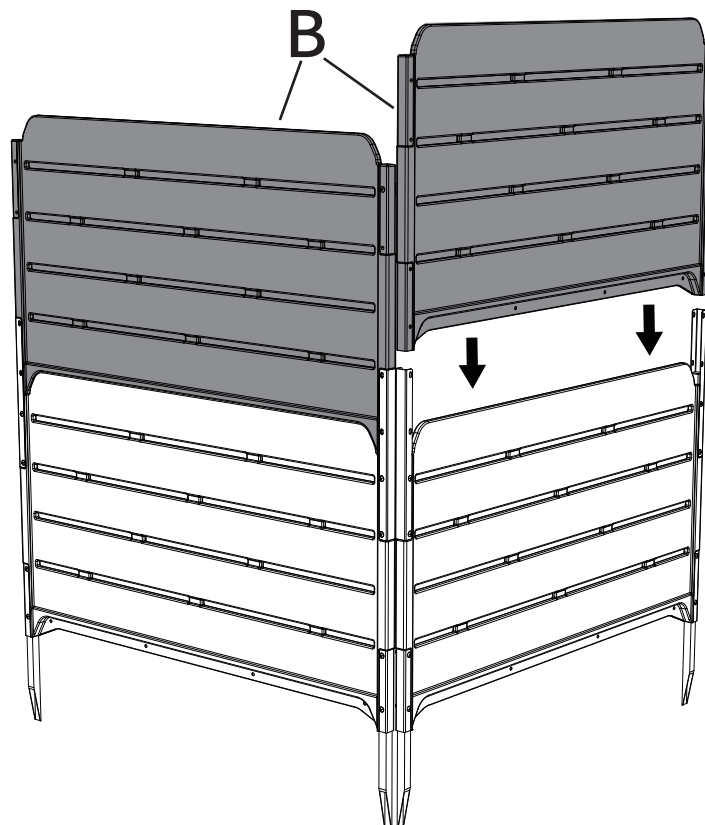


5

Top fence installation

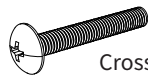


B
Top fence
× 2pcs



6

Fence screw fastening



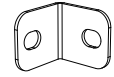
S1

Cross large flat head bolt
×8pcs



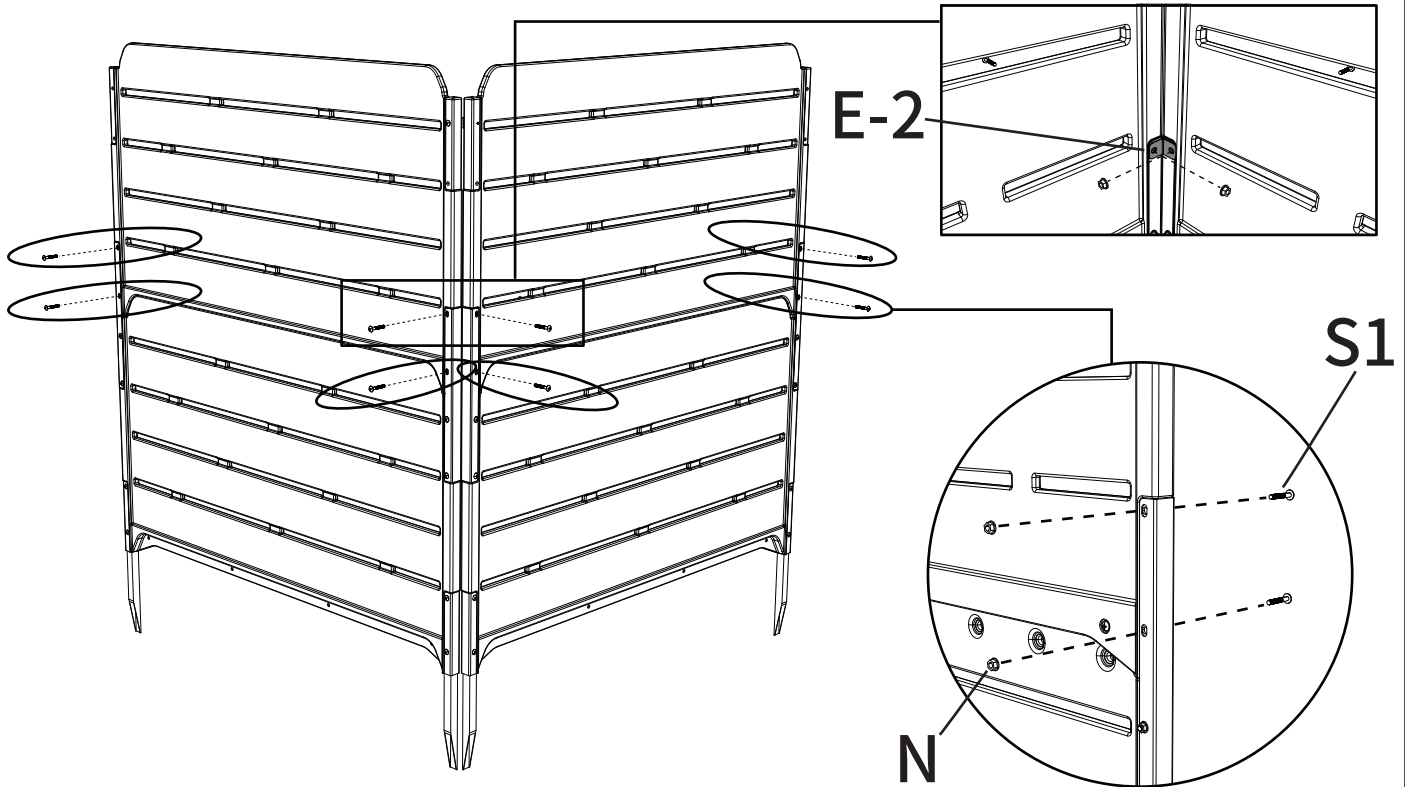
N

Nut
×8pcs



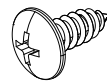
E-2

Fixed plate 2
×1pc



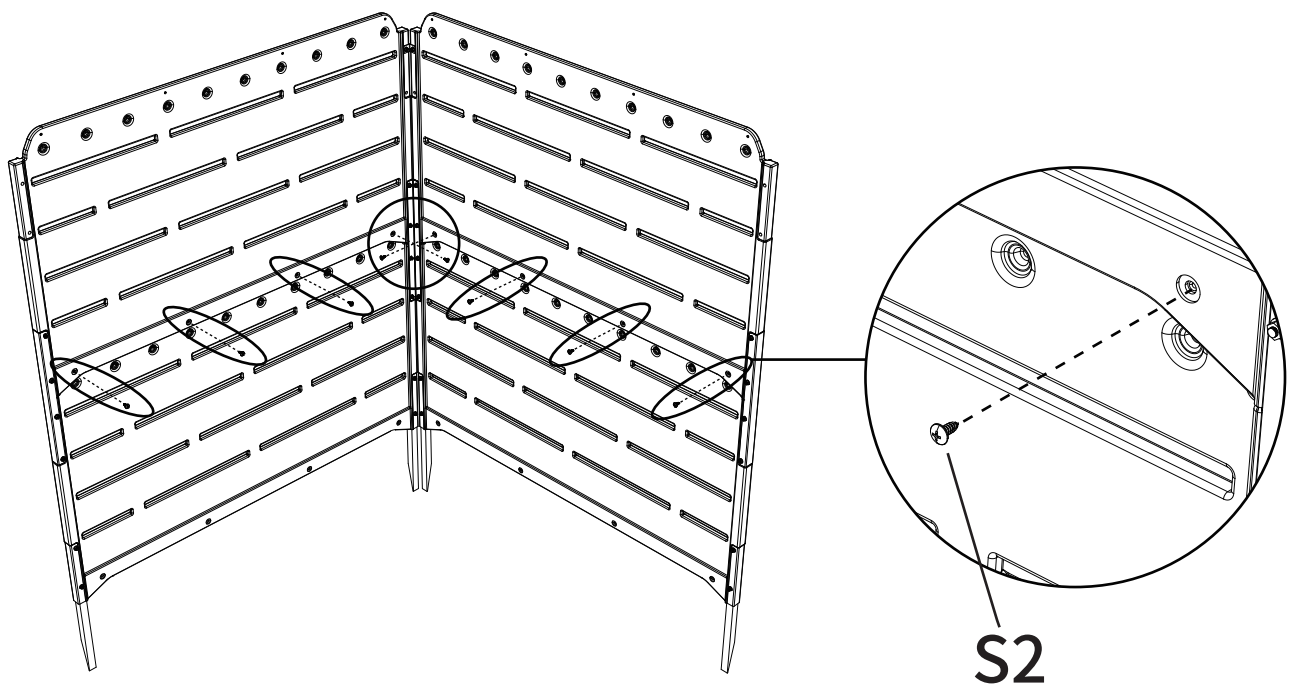
7

Fence screw fastening



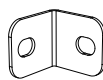
S2

Cross large flat head
self-tapping
×8pcs

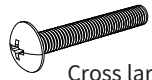


8

Fixed plate 2 installation



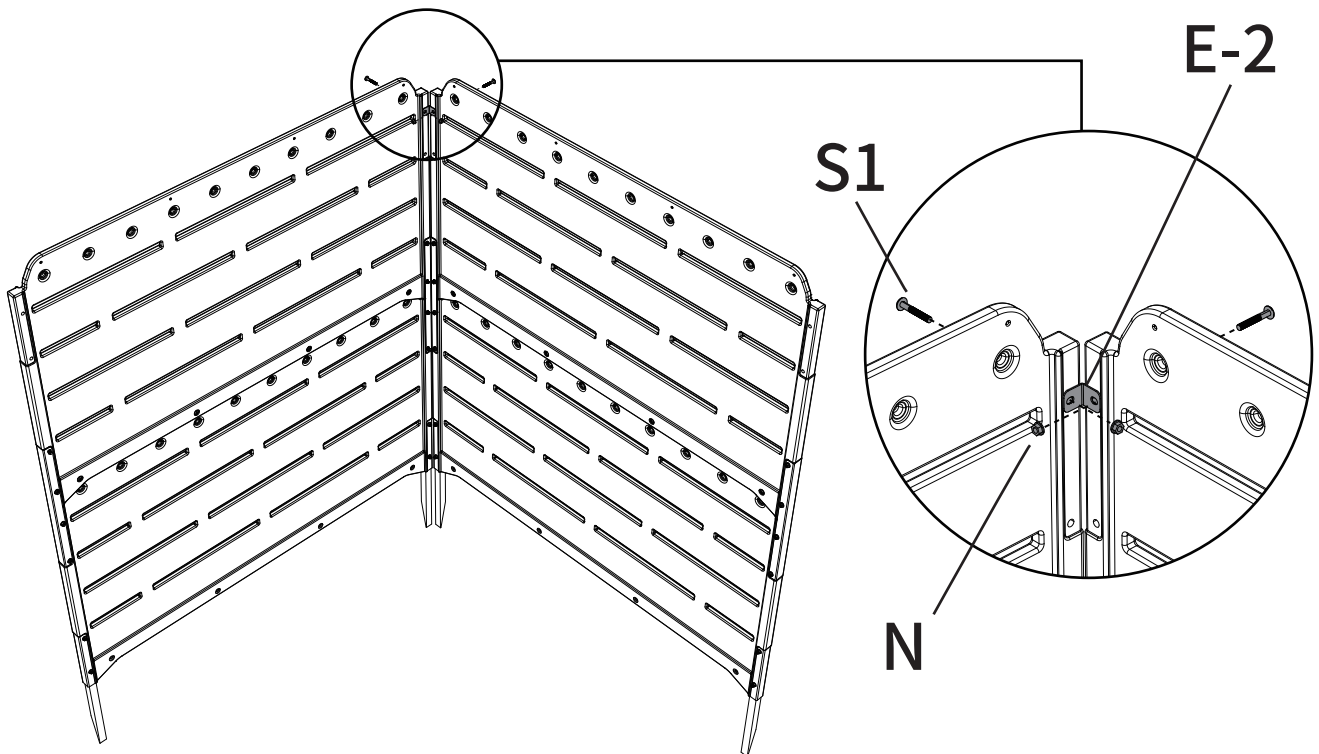
E-2
Fixed plate 2
× 1pc



S1
Cross large flat head bolt
× 2pcs



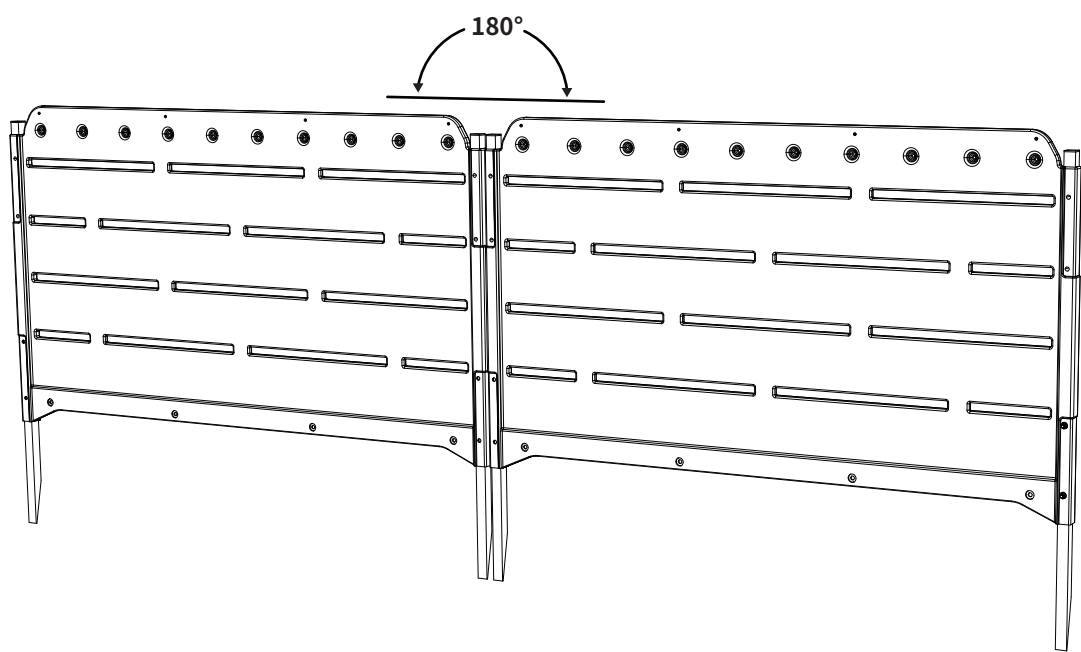
N
Nut
× 2pcs



9

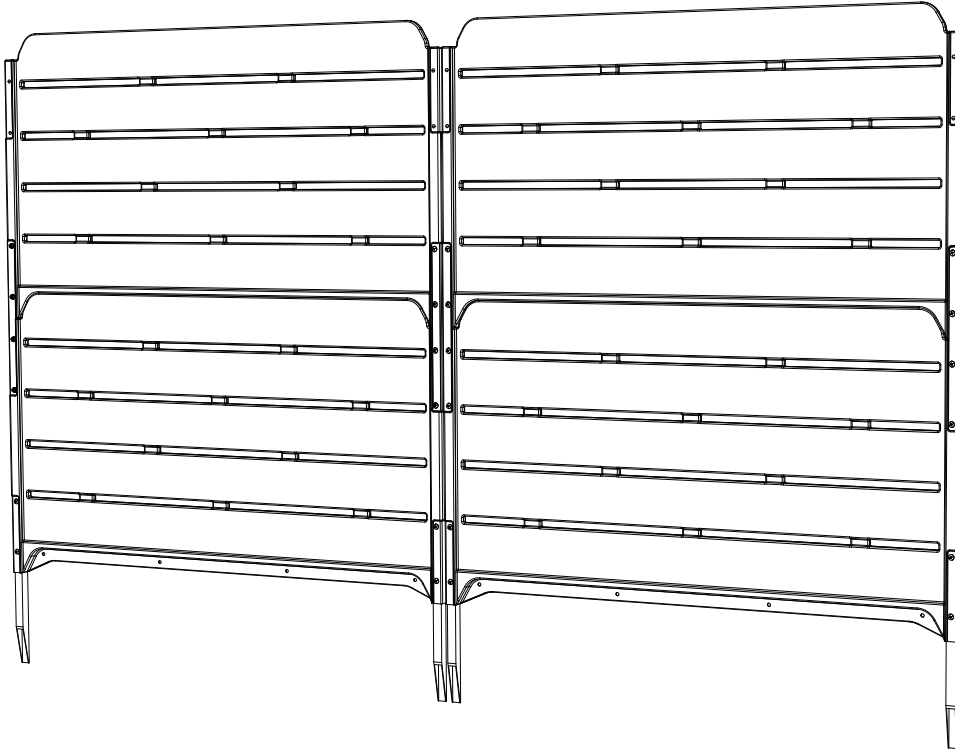
Parallel installation of fences

Install two fences as described in Step 1.

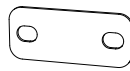


10 Fence installation

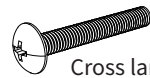
Install two fences according to steps 3,4,5,6,7, as shown below.



11 Fixed plate 1 installation



E-1
Fixed plate 1
×2pcs



S1
Cross large flat head bolt
×4pcs



N
Nut
×4pcs

