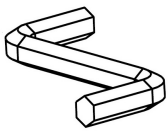
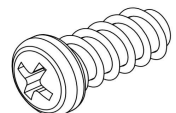
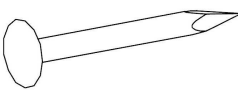
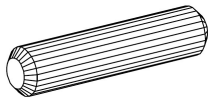
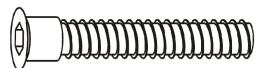

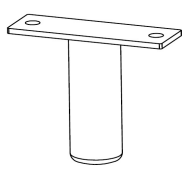
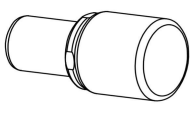
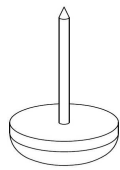
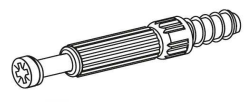
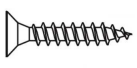
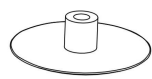
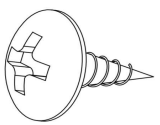
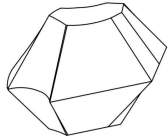
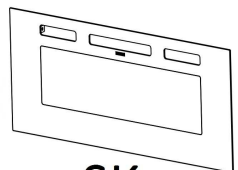
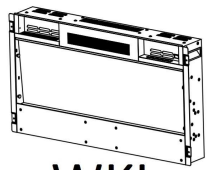
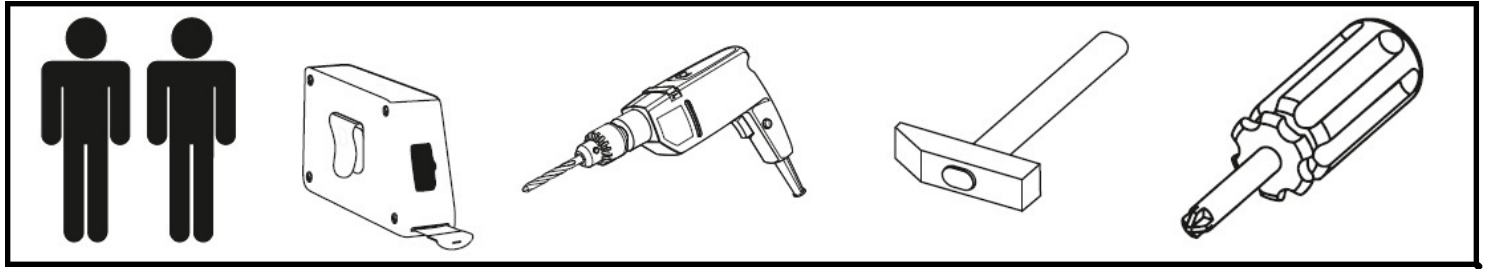
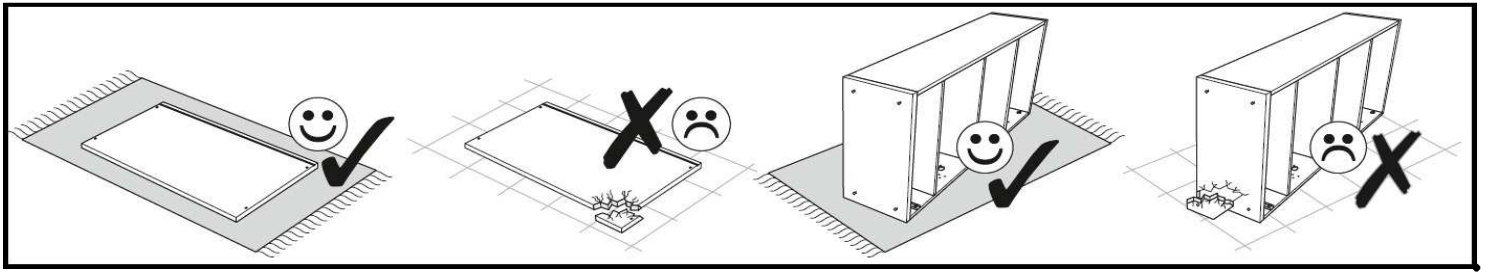


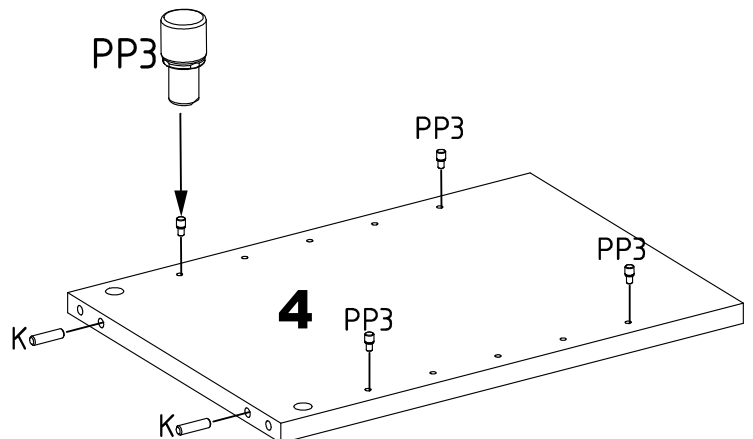
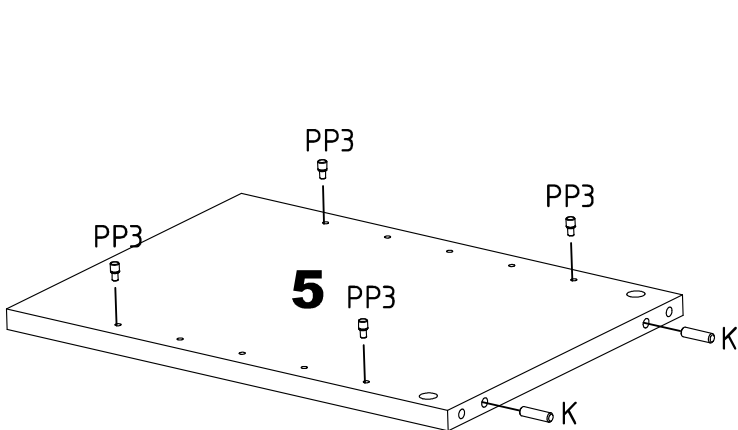
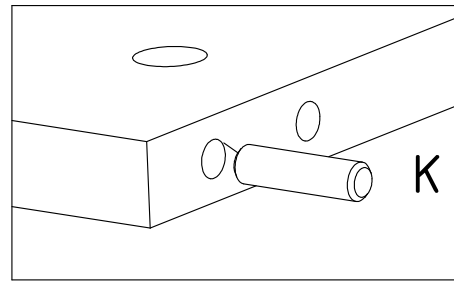
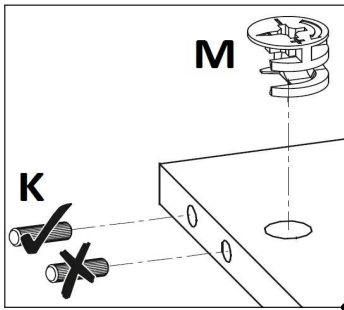
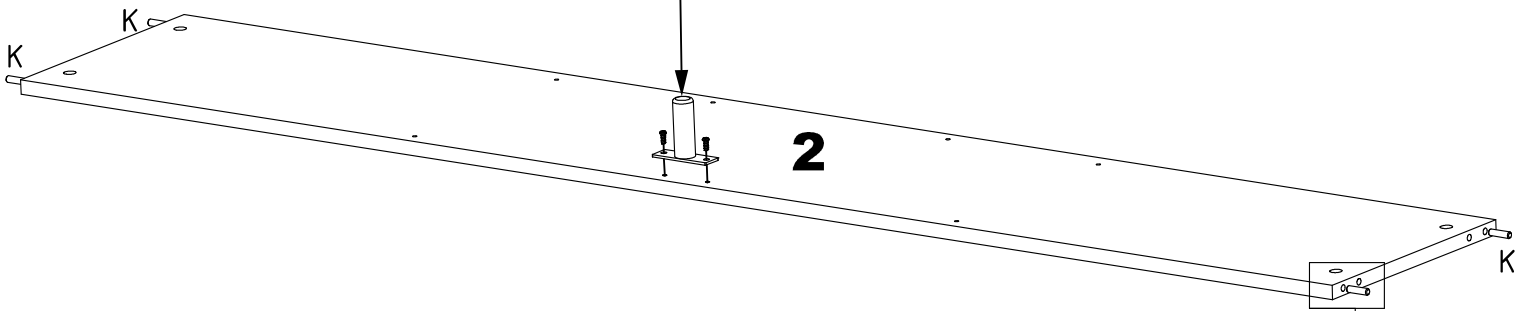
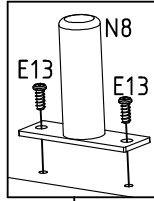
## Table accessories

 <b>A1</b>	6,3 X 13  <b>E13</b>	 <b>G</b>	8 x 30  <b>K</b>	6,3 X 50  <b>KN</b>
15 x 12  <b>M</b>	 <b>N8</b>	 <b>PP3</b>	 <b>SL</b>	6 x 34 mm  <b>T</b>
4 X 25mm  <b>W4</b>	 <b>Z</b>			
 <b>WK</b>	 <b>KRD</b>	 <b>SK</b>	 <b>WKL</b>	

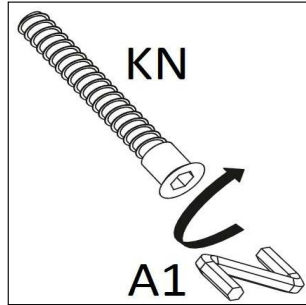
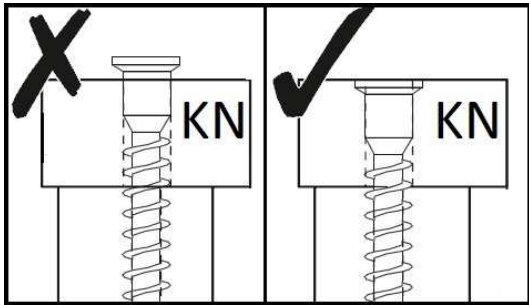
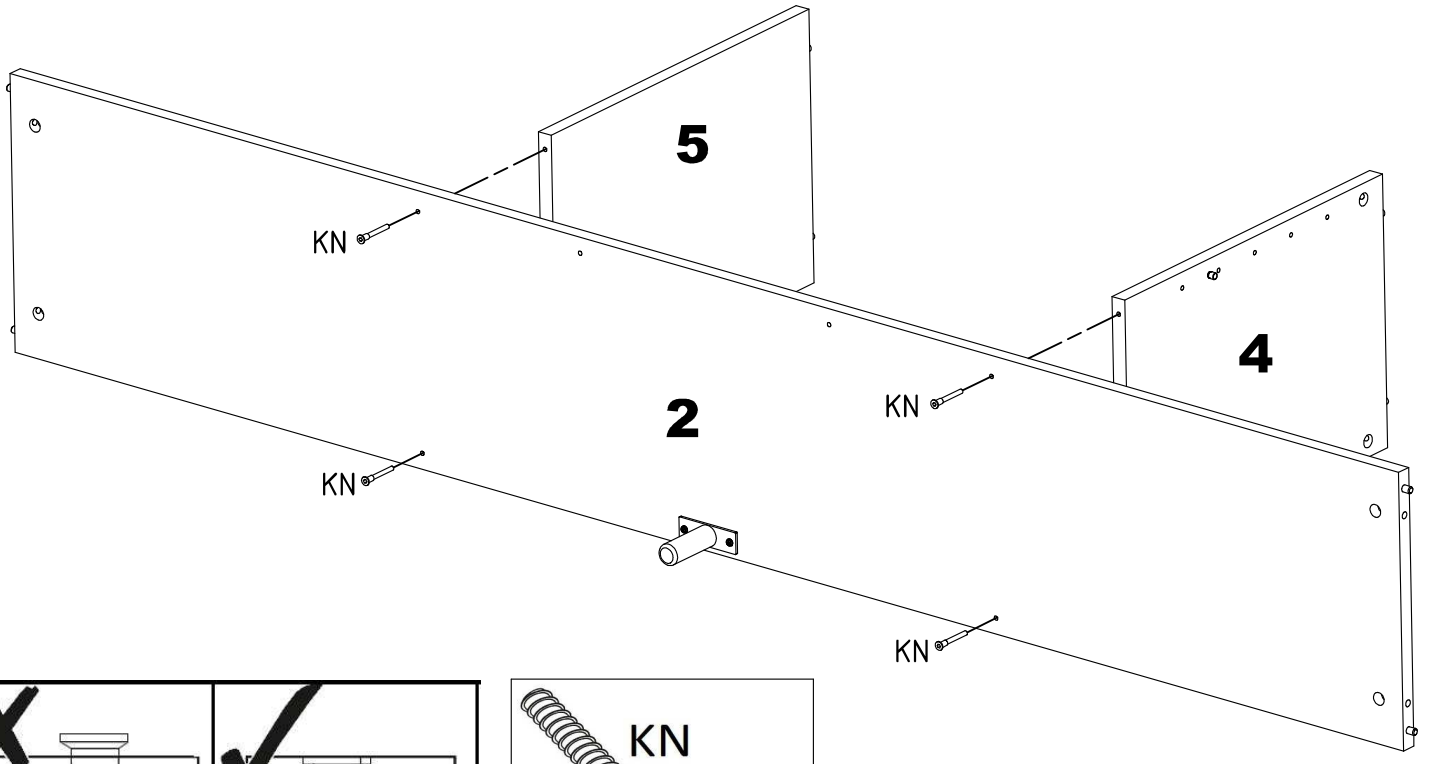
Elements				Accessories	
SYMBOL	LENGTH in	WIDTH in	QUANTITY	SYMBOL	QUANTITY
BL [10]	21.38	13.07	1	A1	1
BP [9]	21.38	13.07	1	E13	2
CD [8]	77.28	2.76	1	G	50
PC1 [7]	78.54	10.32	1	K	16
PC2 [6]	78.54	8.78	1	KN	6
PPI01 [5]	17.91	12.84	1	KRD (attached to the electric fireplace)	145
PPI02 [4]	17.91	12.84	1	M	12
PS [3]	22.24	12.48	4	N8	1
WD [2]	77.28	13.07	1	PP3	16
WG [1]	78.74	13.07	1	SK (attached to the electric fireplace)	1
				SL	5
				T	12
				W4	4
				WK (attached to the electric fireplace)	6
				WKL (attached to the electric fireplace)	1
				Z	12



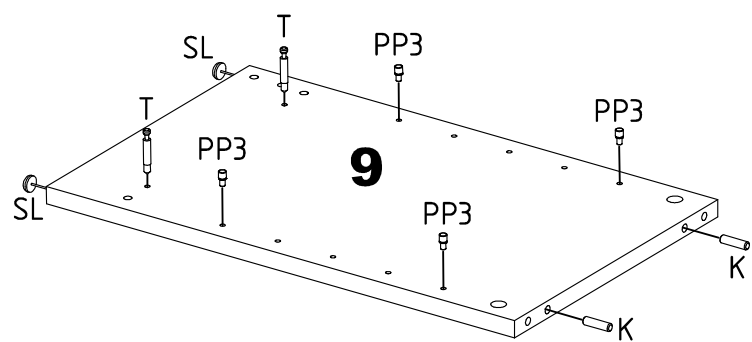
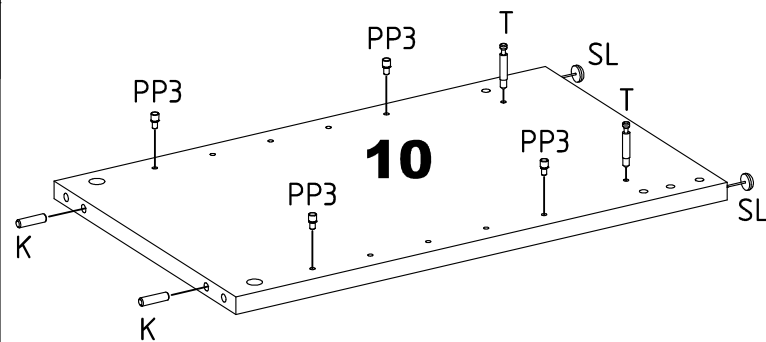
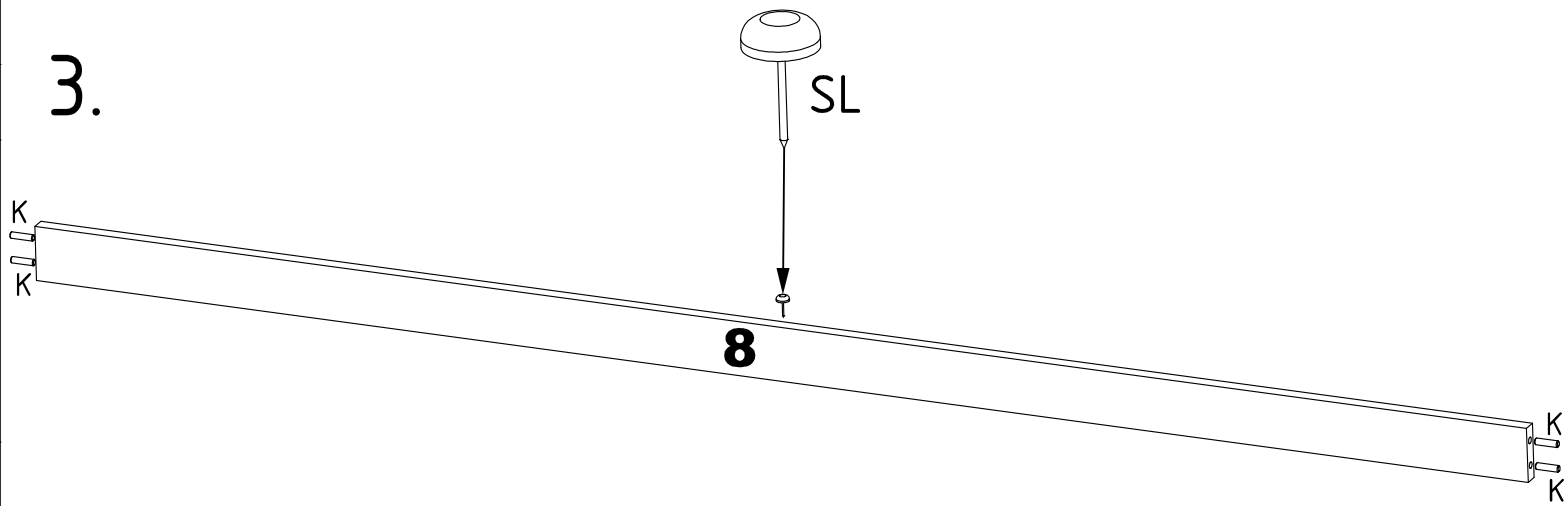
1.



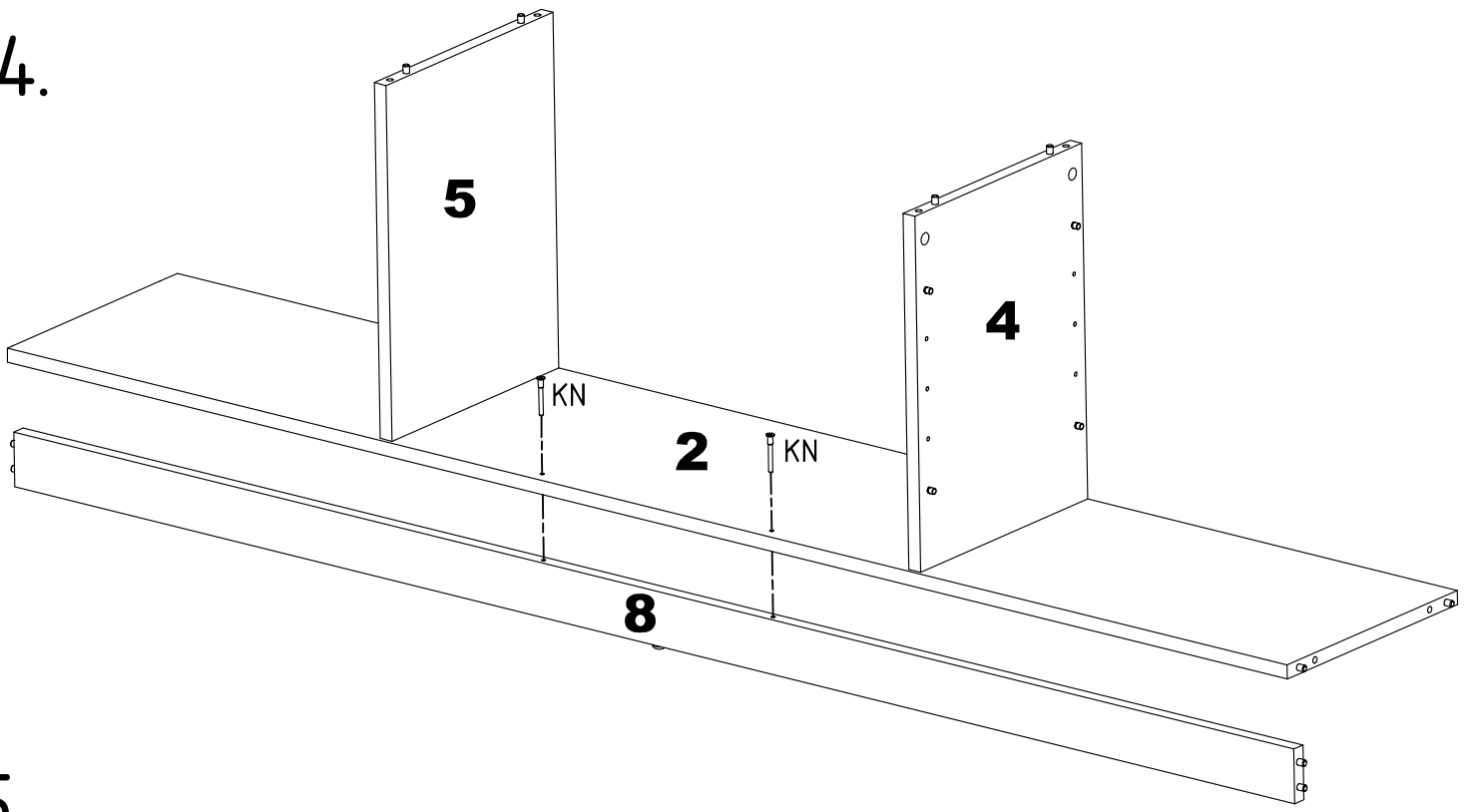
2.



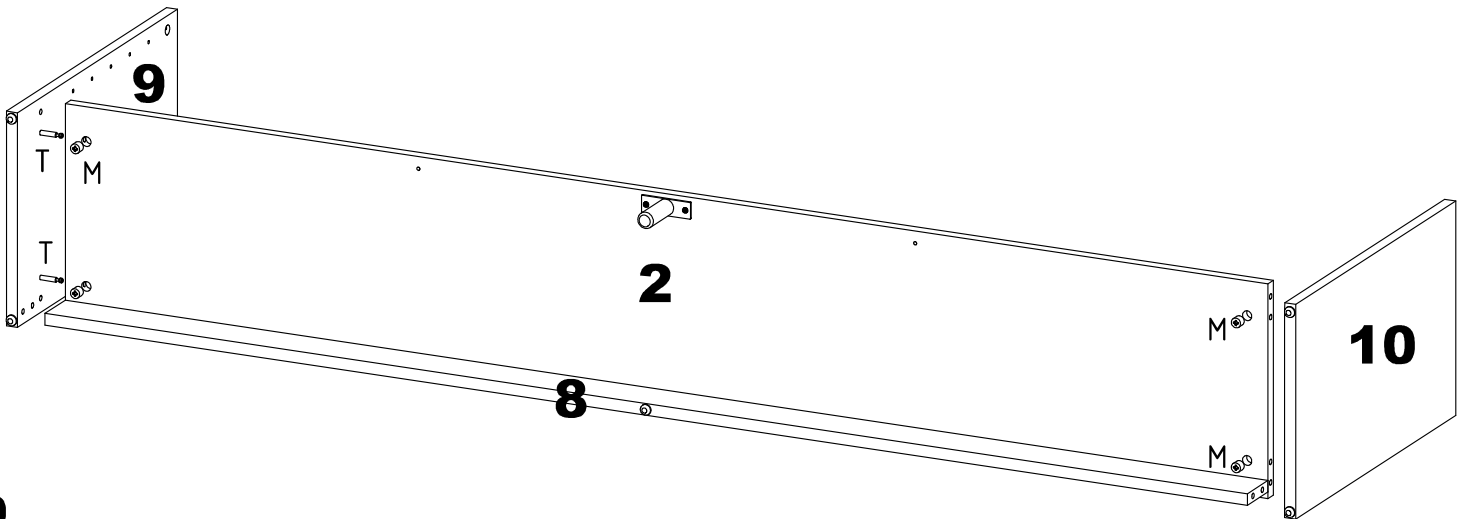
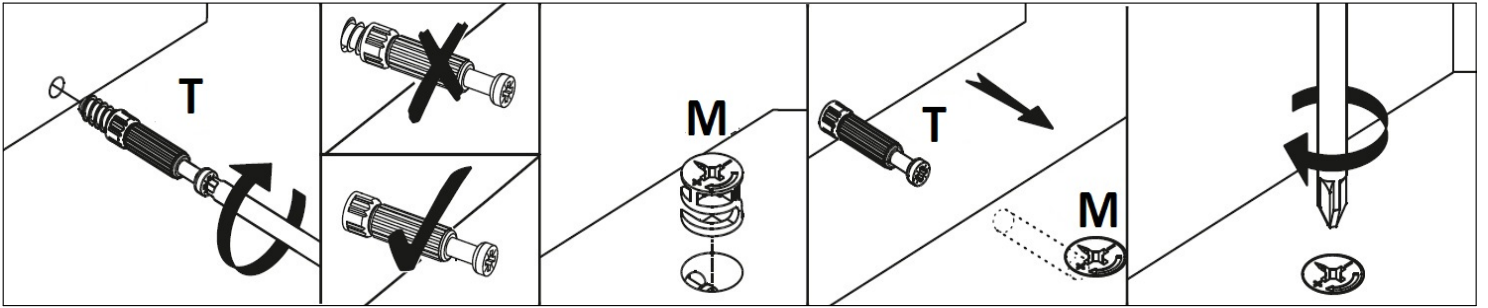
3.



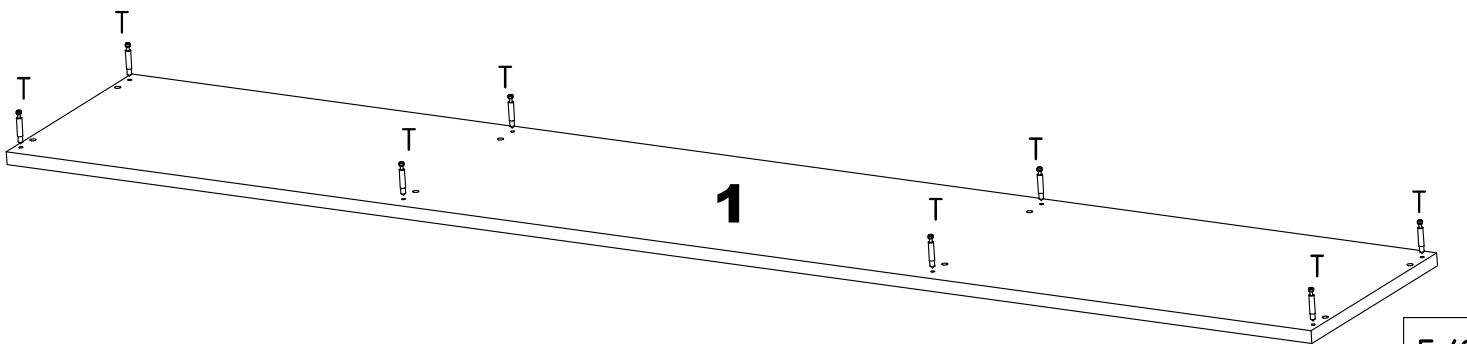
4.



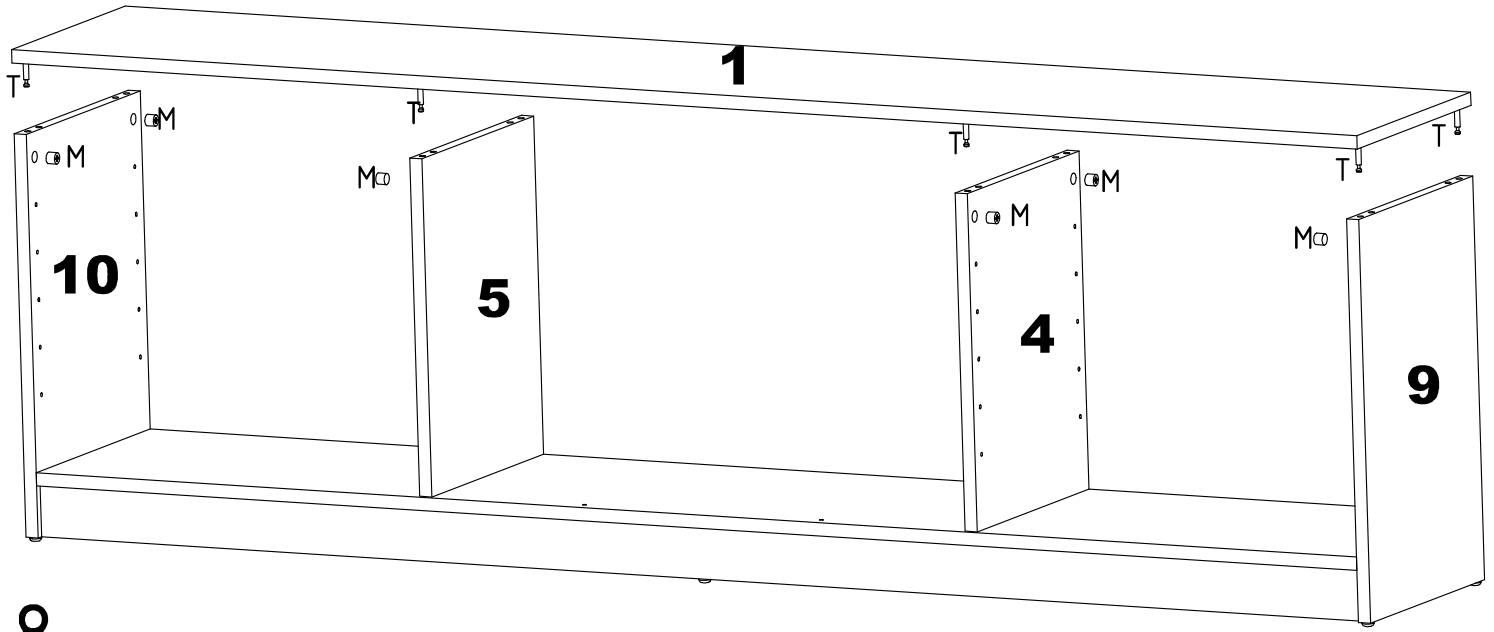
5.



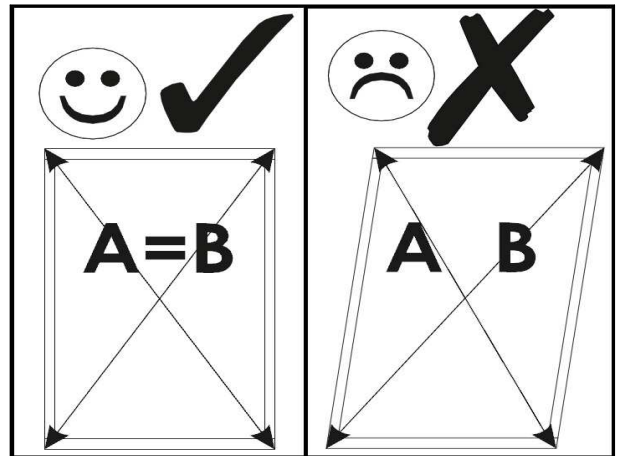
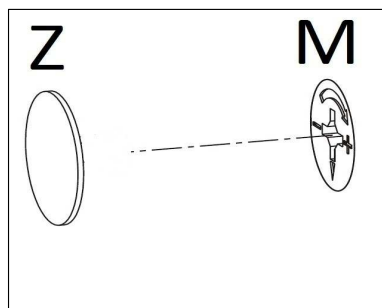
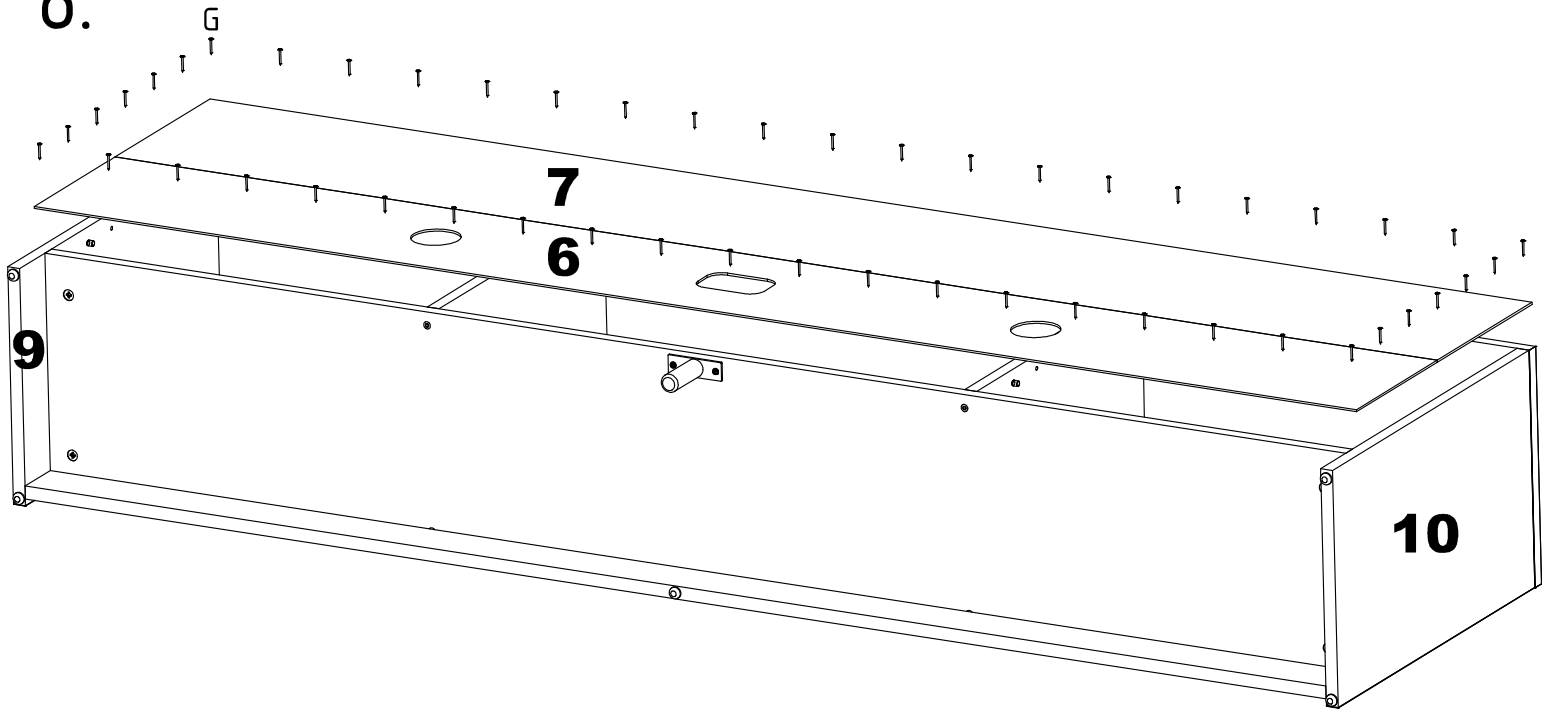
6.



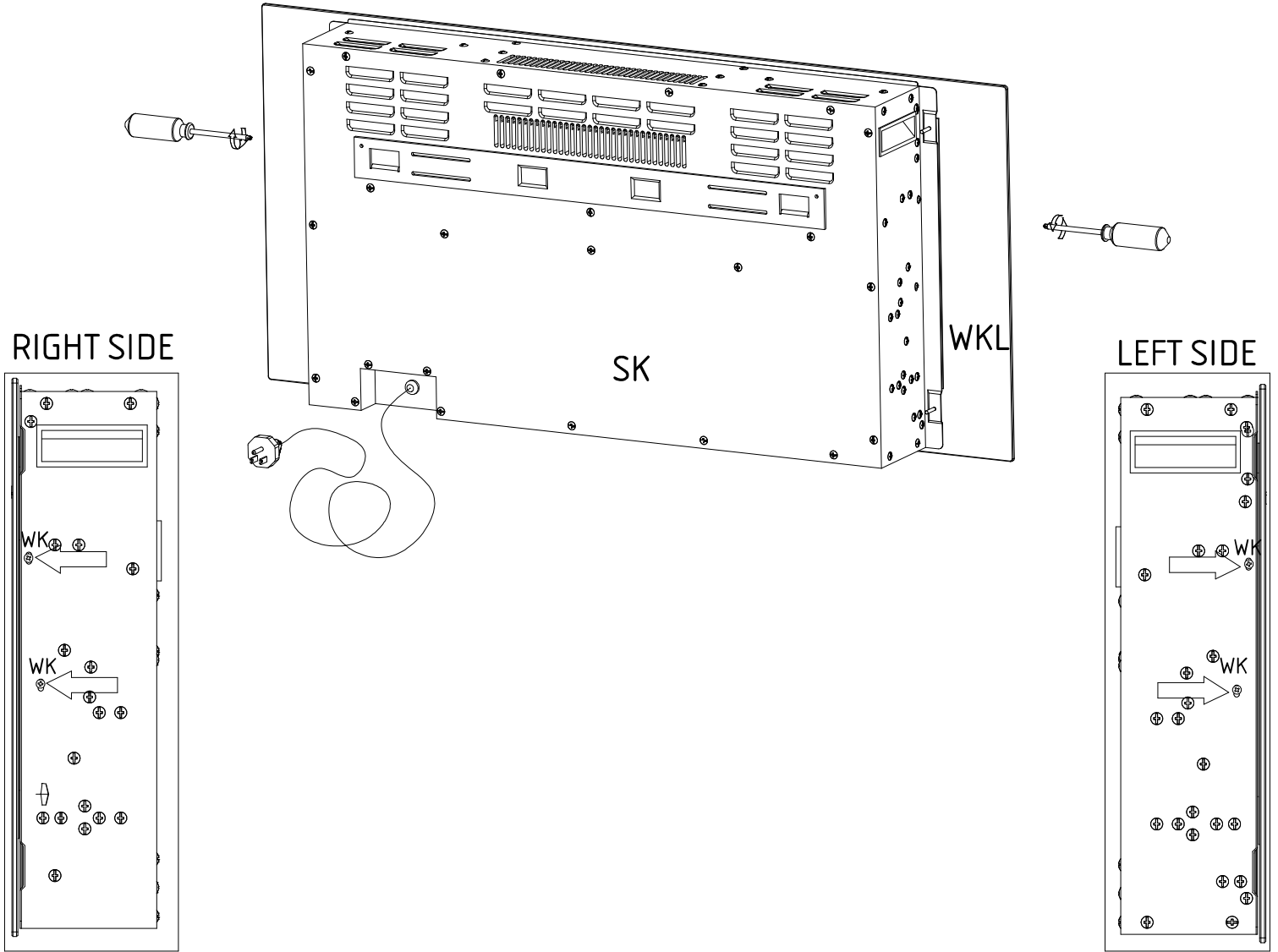
7.



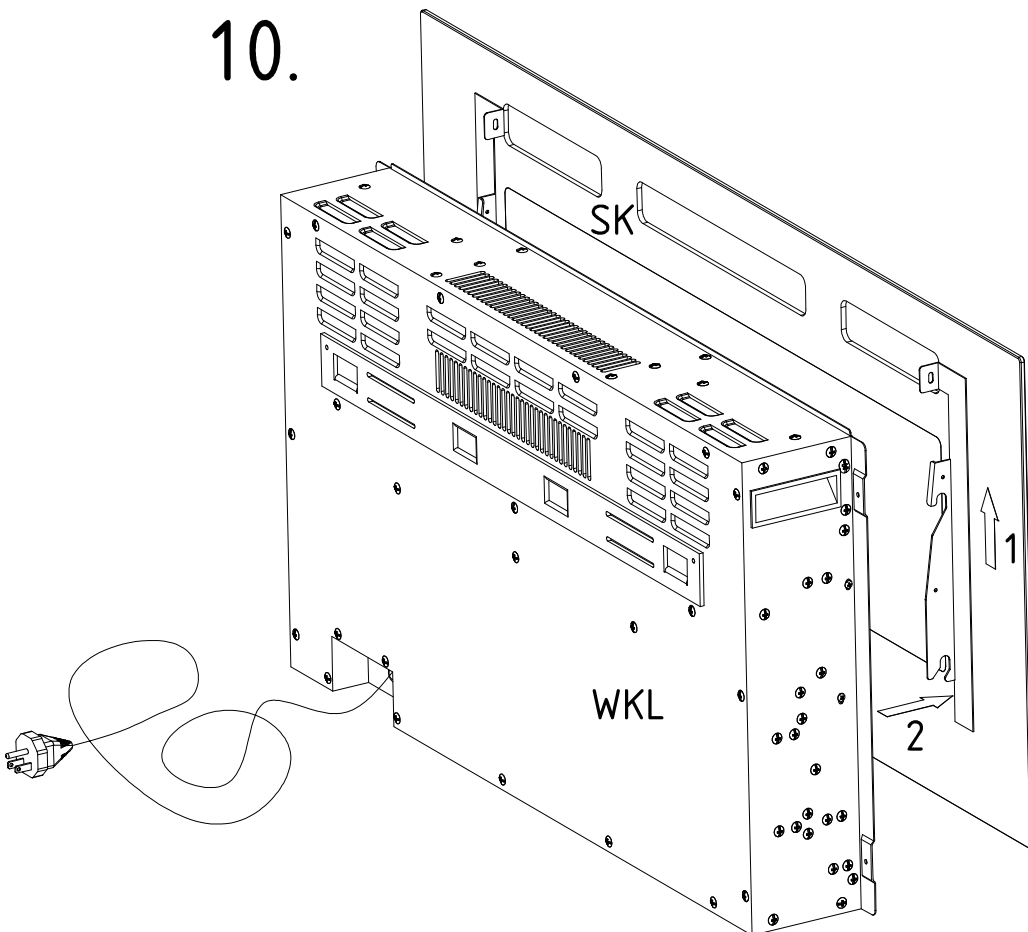
8.



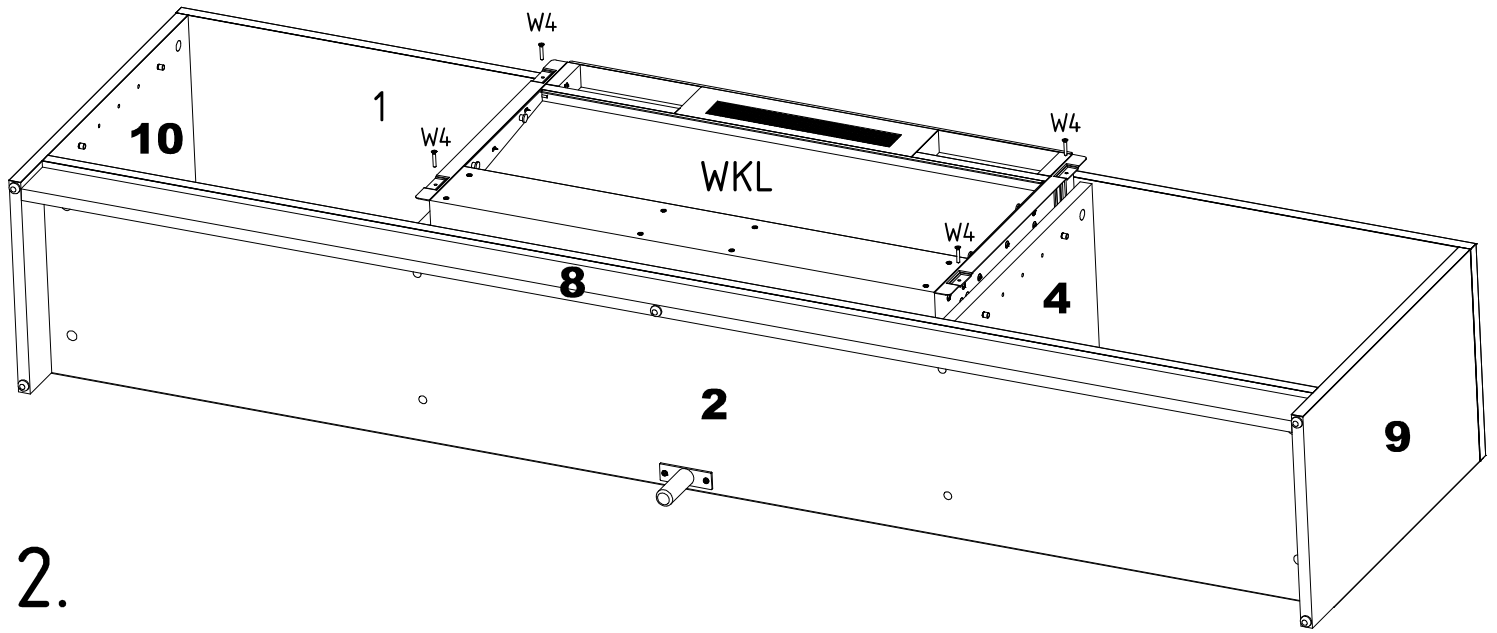
9.



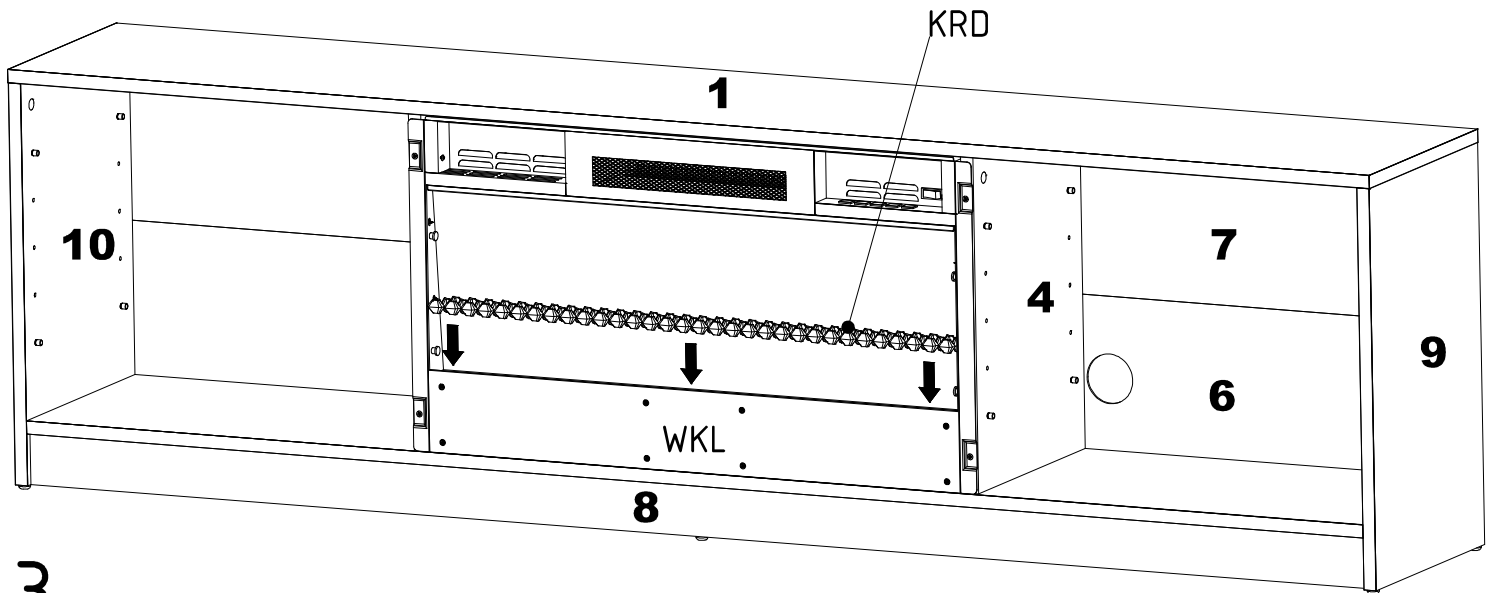
10.



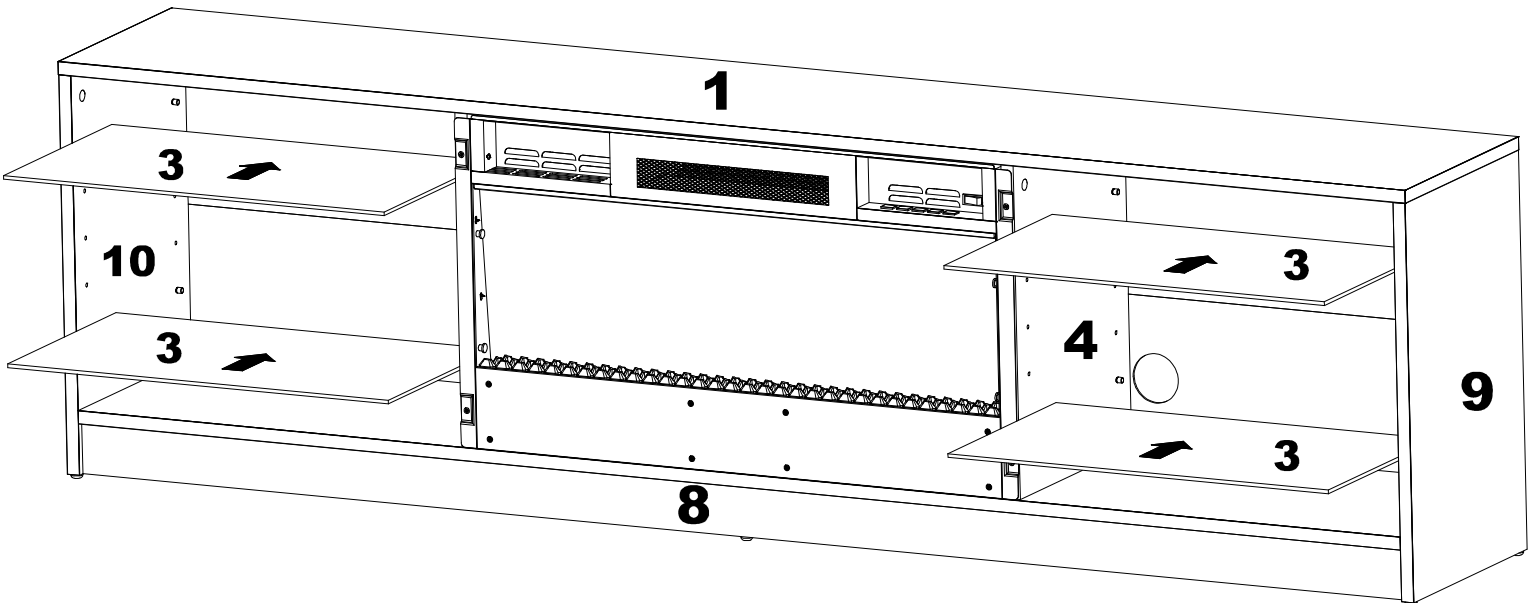
11.



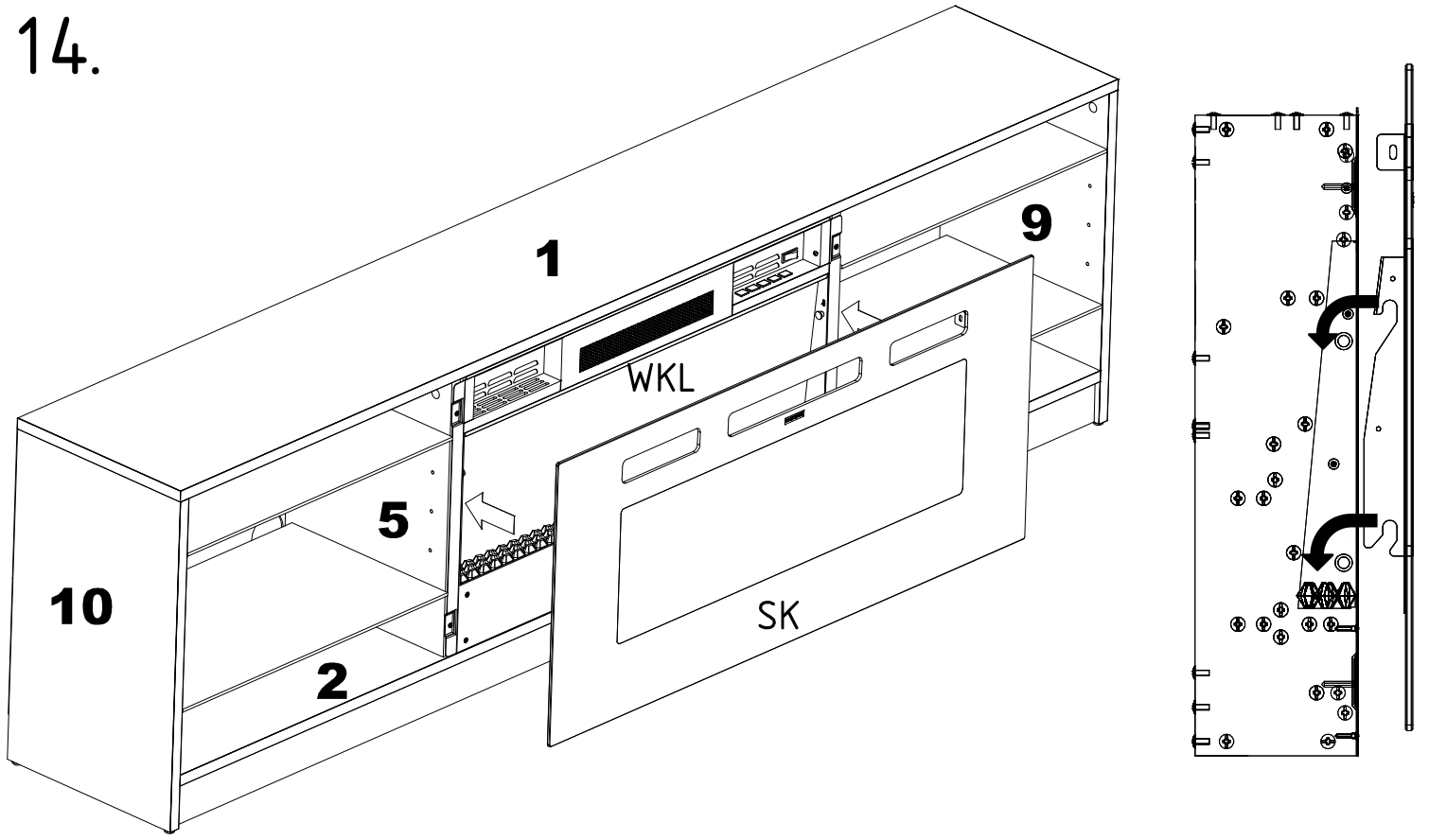
12.



13.



14.



15.

