

tool table

Product ID. QKCVN



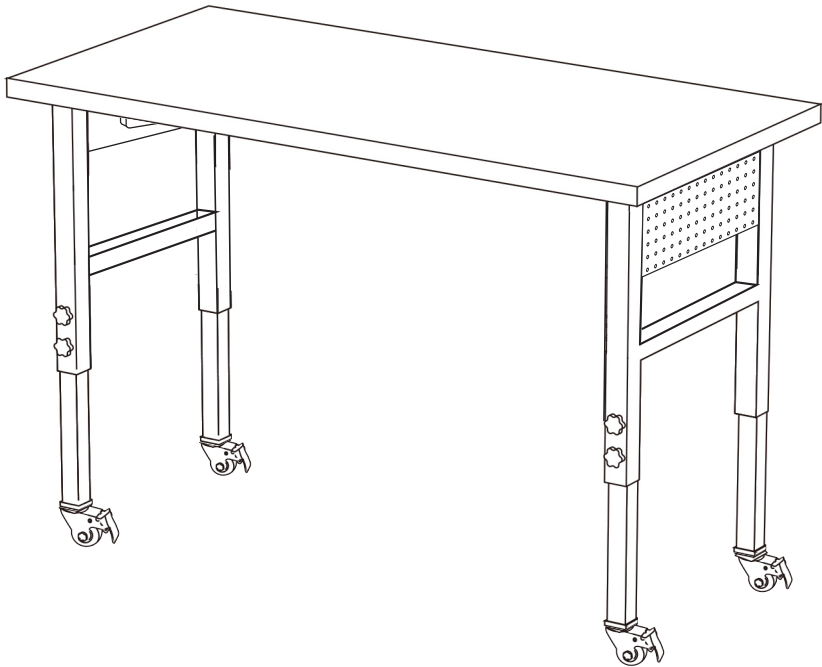
Scan for Support
support@garvee.com



GARVEE.com

GARAGE WORKBENCH W/POWER OUTLETS & SHELF

USER' S MANUAL



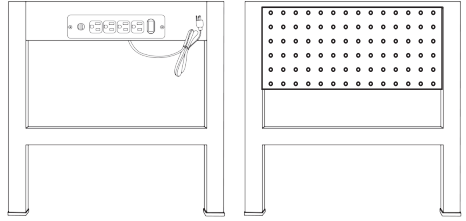
WARNING!

- 1.The manual contains very important safety information, please read it carefully before assembling.
- 2.Check carefully the box when you receive, if there is any damage, pls take a picture for record, contact our service team for help.
- 3.The workbench can be dangerous if it is not properly installed. Fasten all bolts, nuts, screws before using it.
- 4.Don't overload product on the workbench, it is restricted to 2000 LBS.
- 5.When you use the workbench, make sure all casters are locked, or it can be very dangerous.
- 6.Keep away from children. It will be dangerous if your children are playing on it.
- 7.Keep workbench away from water, moisture.

PART LIST



Bamboo Board



Leg:2



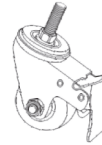
Support



Leg extend x4



**Adjustable
knobs x8**



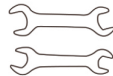
Caster x4



**A.M8X16
x7**



**B.M10X20
BOLT x4**

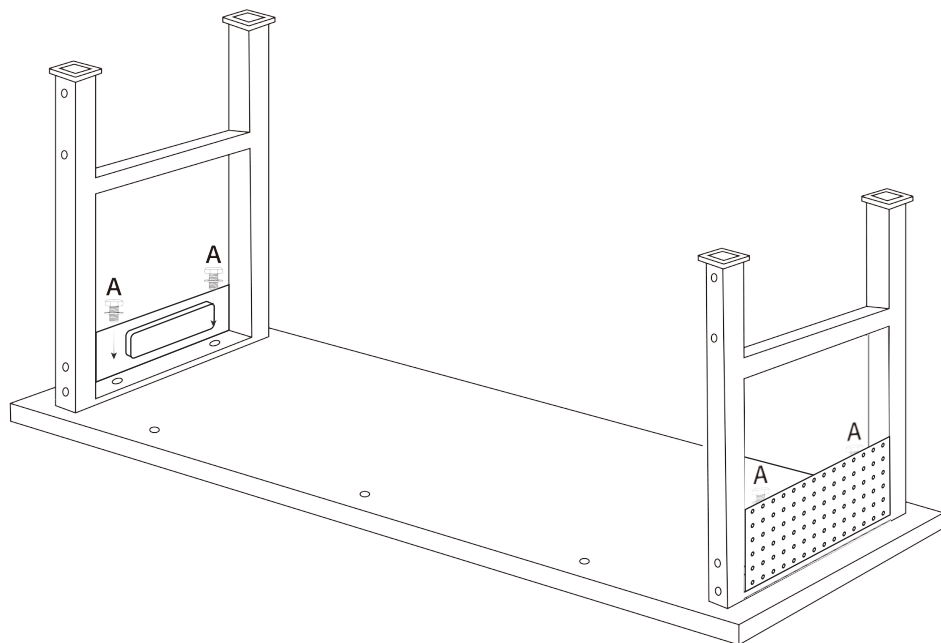


**Tools
x2**

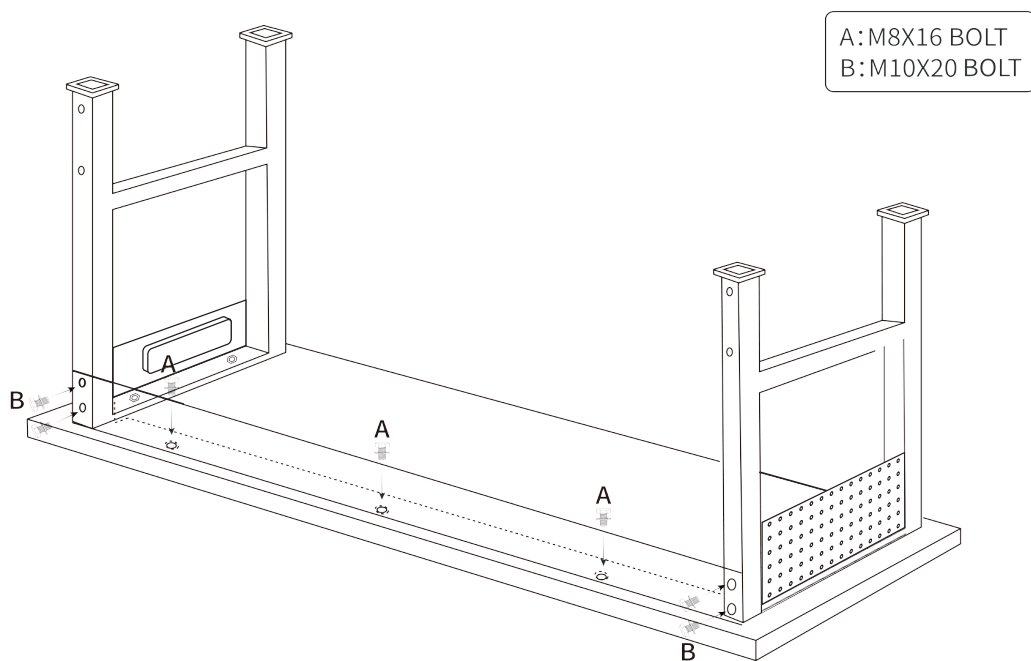
TIPS:

- 1) Don't fasten all bolts and nuts tightly at first, you may need to rework if you make some mistake.
- 2) We recommend that 2 adults are required to complete the installation.

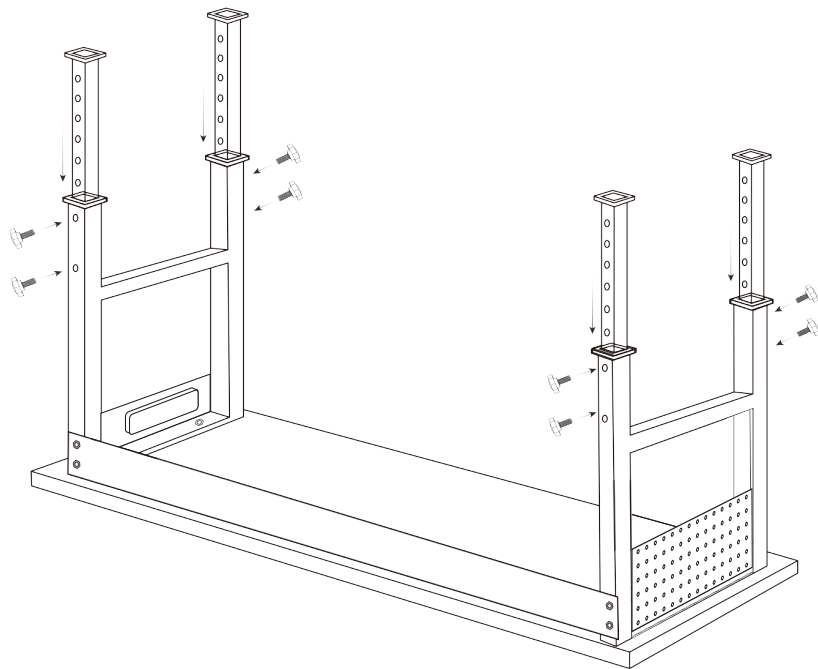
Step 1. Fasten Legs To The Bamboo Board



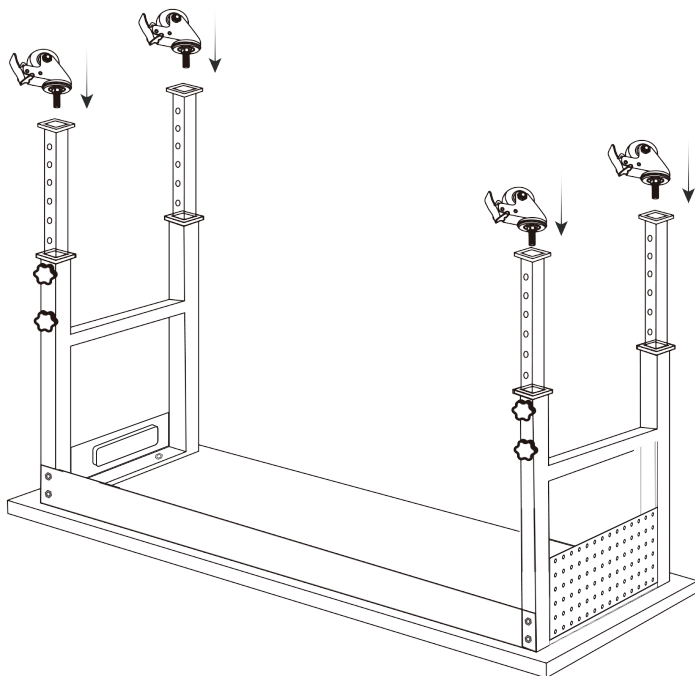
Step 2. Fasten Support To Bamboo Board And Legs



Step 3. Fasten Leg Extend To Legs



Step 4. Install Casters On Leg Extend



Step 5. Flip the product 180°

