

# **INSTALLATION INSTRUCTIONS**



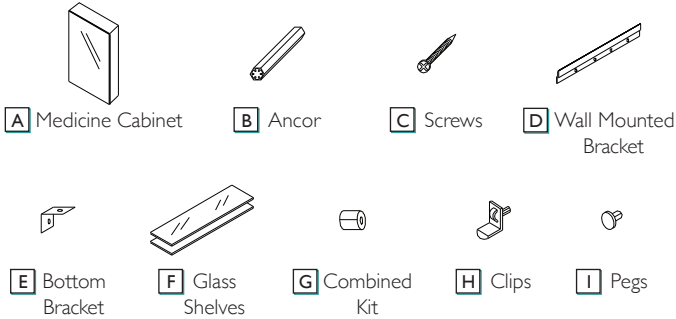
**ALUMINUM WALL MOUNTED  
MEDICINE CABINET**



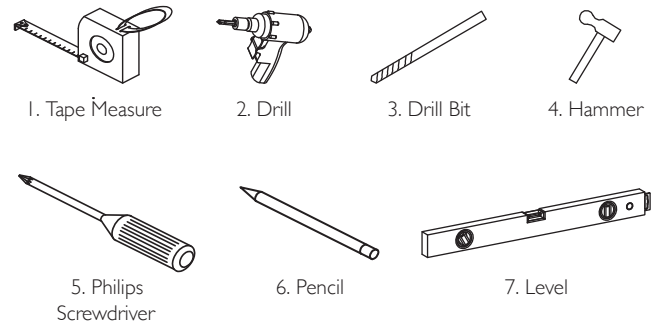
# READ ALL INSTRUCTIONS BEFORE UNPACKING THE PRODUCT

Instructions that, if ignored could result in death or serious injury caused by incorrect handling or installation of the product. These instructions must be observed for safe installation.

## SUPPLIED PARTS

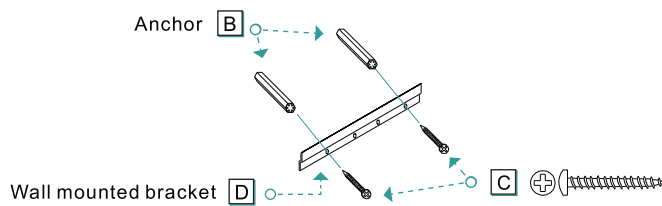
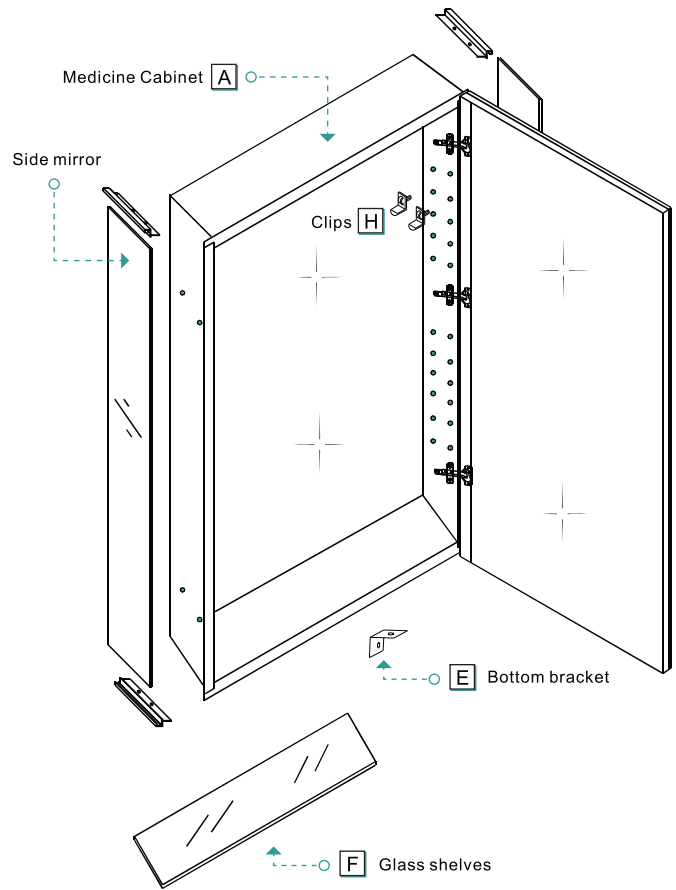


## TOOLS REQUIRED FOR INSTALLATION



## CABINET DIMENSIONS

MODEL #	OVERALL DIMENSIONS
1	15" X 24" X 5 1/5"
2	15" X 30" X 5 1/5"
3	15" X 40" X 5 1/5"
4	20" X 24" X 5 1/5"
5	20" X 30" X 5 1/5"
6	20" X 40" X 5 1/5"
7	24" X 24" X 5 1/5"
8	24" X 30" X 5 1/5"
9	24" X 40" X 5 1/5"
10	30" X 30" X 5 1/5"
11	24" X 36" X 5 1/5"
12	30" X 36" X 5 1/5"
13	36" X 30" X 5 1/5"

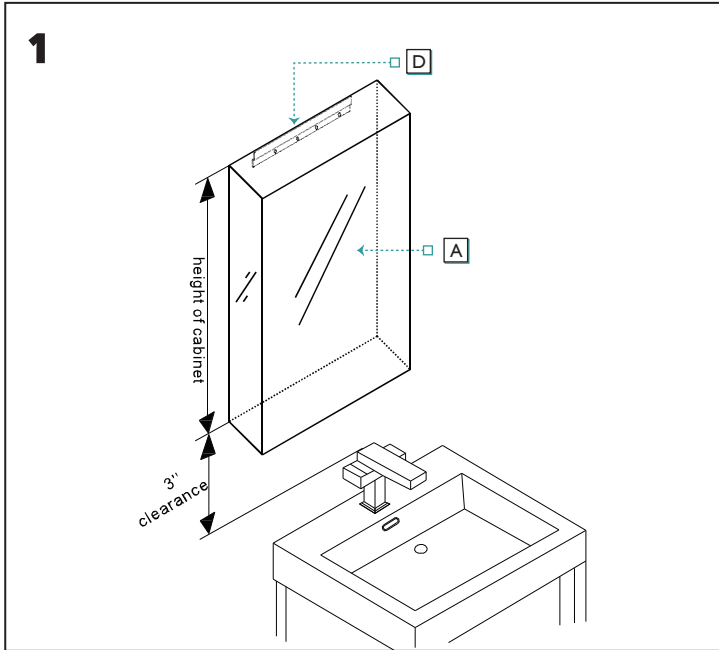


We reserves the right to change, update, modify, alter, redesign this manual/product or its policies without prior notice! It is your responsibility to visit website to download or contact customer service for the most updated version of the installation instructions.

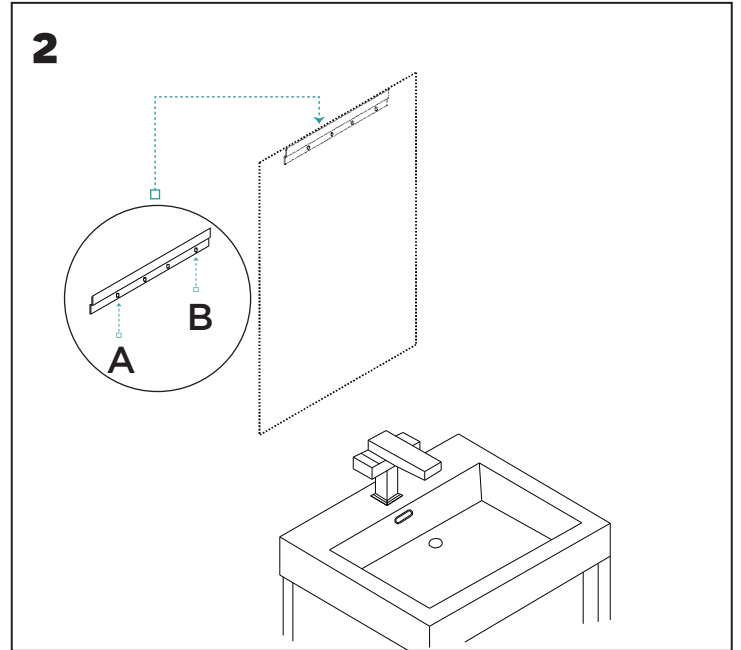
We shall not be liable for any injuries or property damages in connection with this product during installation or use of this product!

# SURFACE MOUNT:

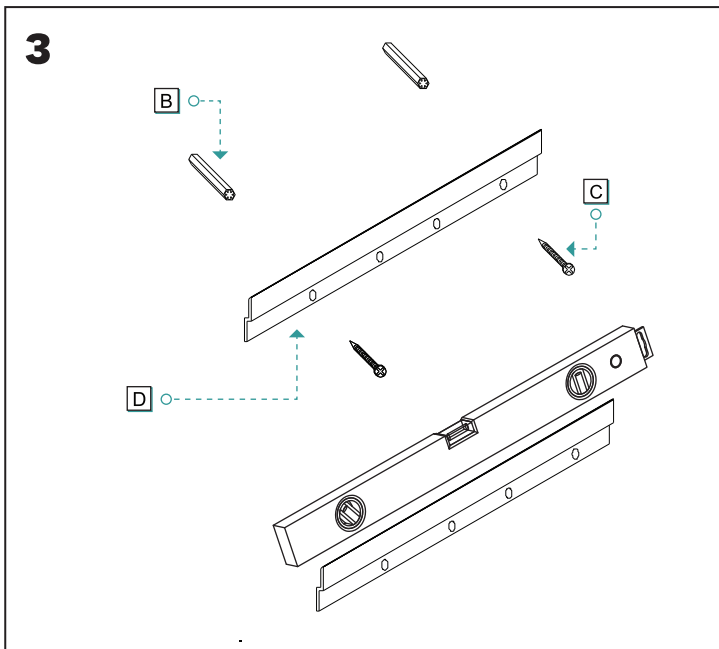
## POSITIONING AND INSTALLATION OF MIRROR CABINET:



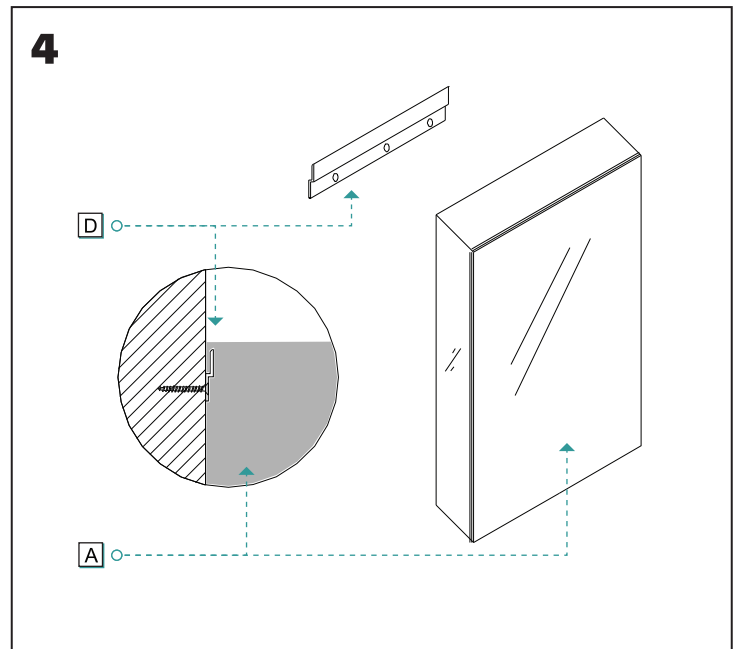
**Verify required clearances.** Determine the desired location of the cabinet. It is recommended that the cabinet is being installed 3" above the faucet.



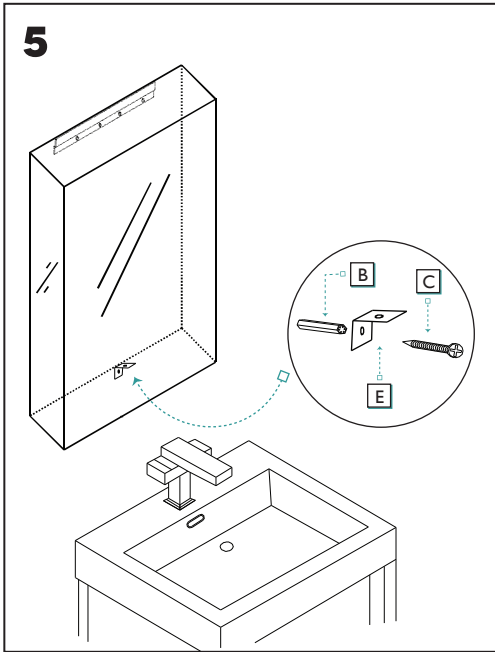
Mark the position "A" and "B" of the bracket **D** on the wall. Align the bracket on the same level of the top of the cabinet.



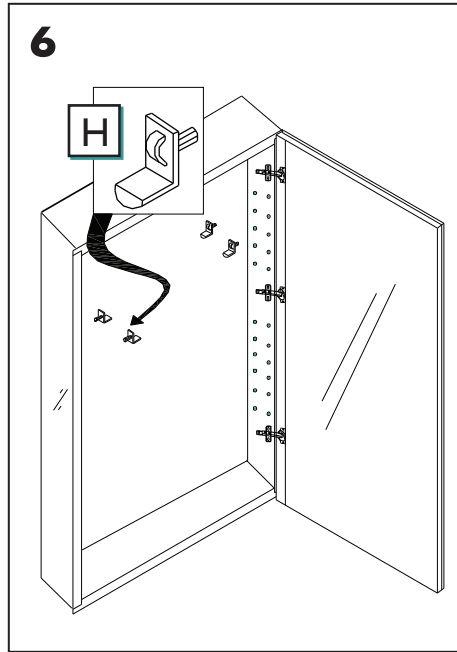
Drill hole "A" and "B" with  $\frac{1}{4}$ " bit, insert the anchors **B**. Secure the bracket with screws **C**, ensuring that it is level.



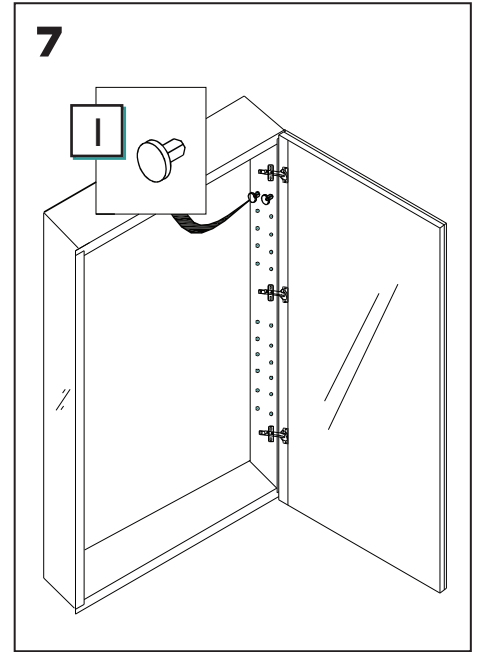
With help, hang the cabinet flush against the wall.



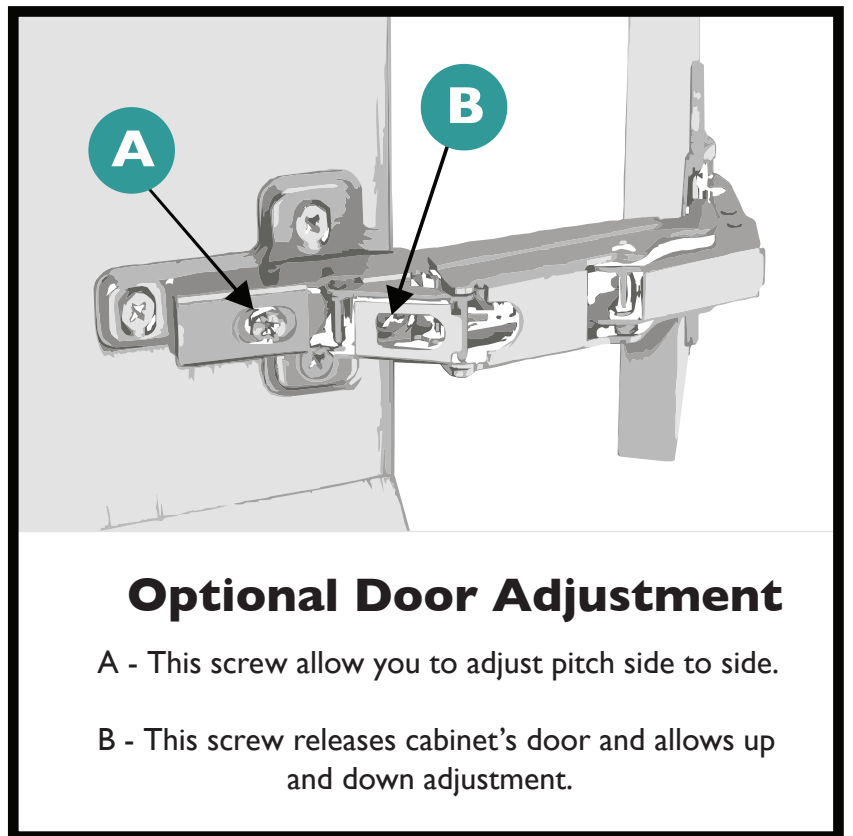
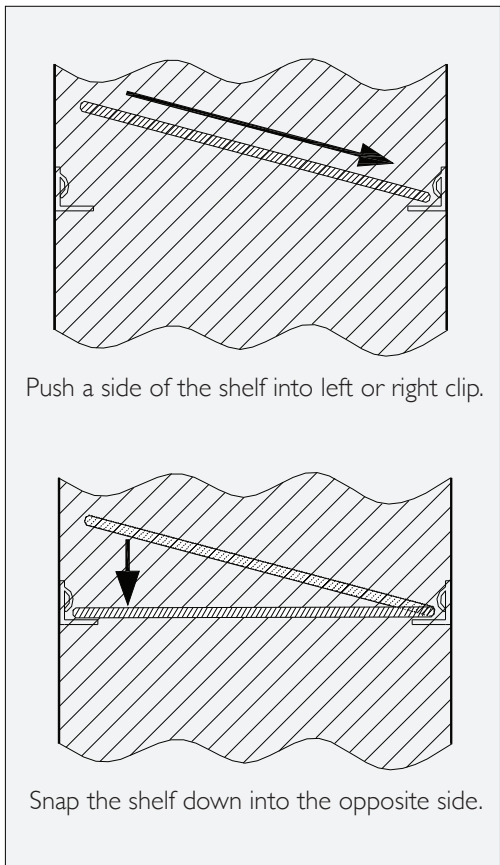
5 Drill a hole on the wall for bottom bracket **E**. Insert anchors and install the bracket with screw, installed 3" above the faucet.



6 Choose the position for your shelves, then push and twist the Clips **H** into place.

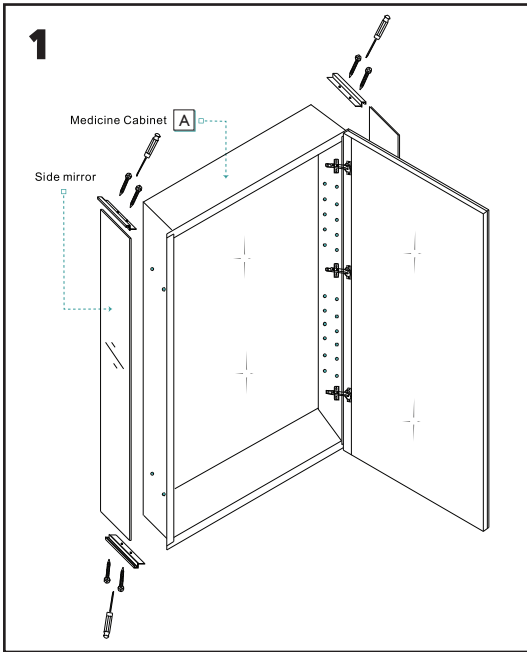


7 Fill remaining holes with Pegs **I**.

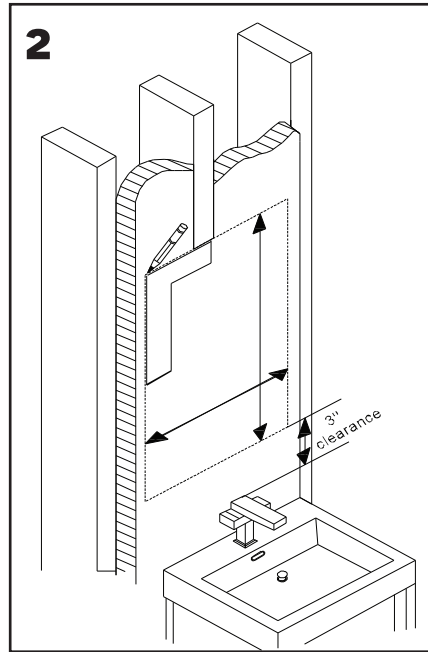


# RECESS MOUNT:

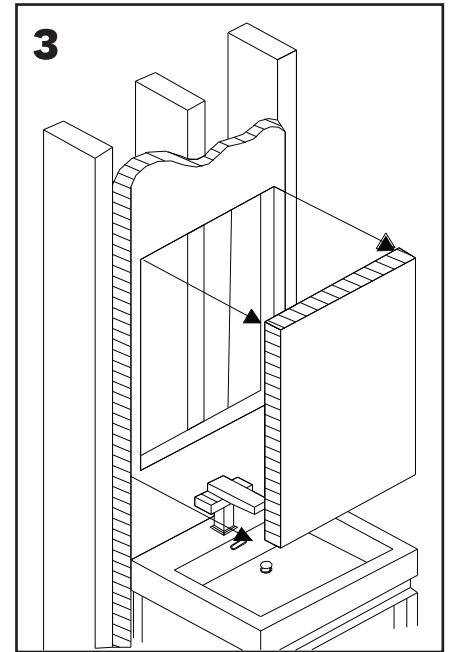
## POSITIONING AND INSTALLATION OF MIRROR CABINET:



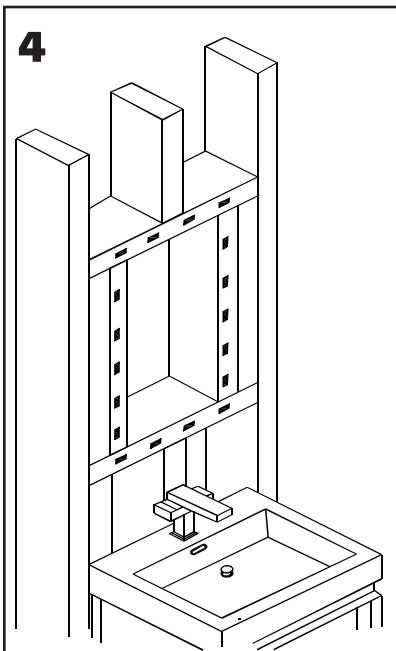
Remove the both of side mirror with screwdriver.



Draw the perimeter of the medicine cabinet.

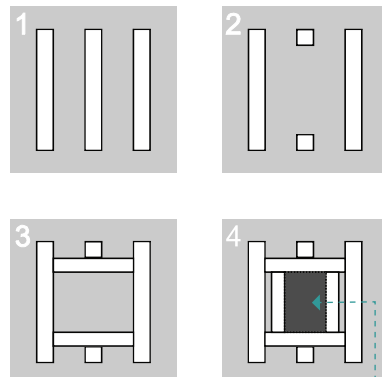


Place and hold the cabinet in the cutout opening.



Frame the cutout opening.

### 4 STEPS TO FRAME THE CUTOUT OPENING

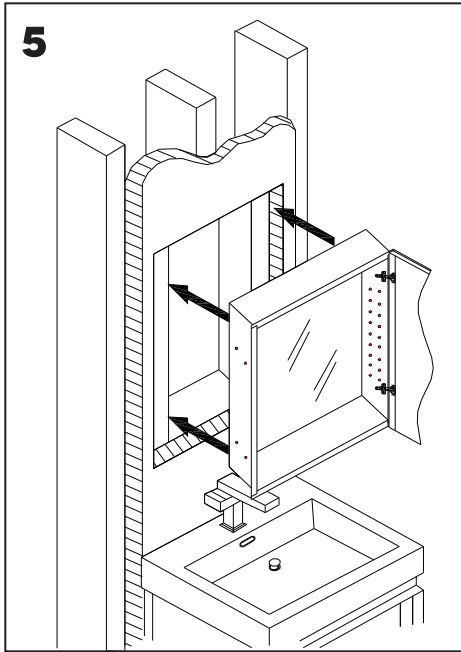


Cutout Opening

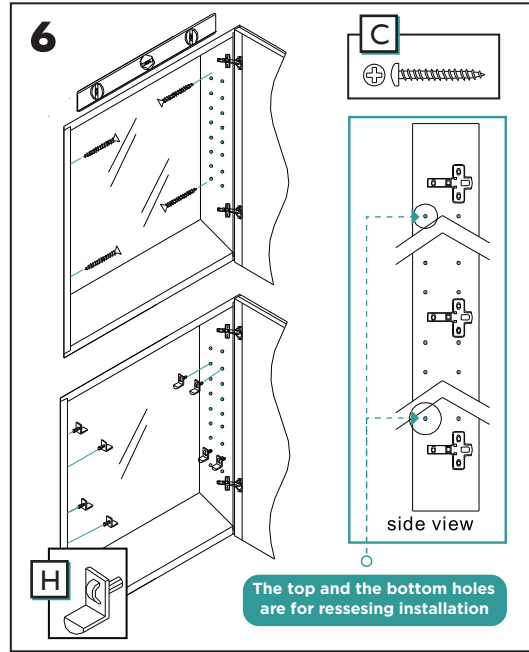
### CUTOUT OPENING DIMENSIONS

CHECK THE CUTOUT OPENING DIMENSIONS OF THE MODEL YOU ARE ABOUT TO INSTALL.

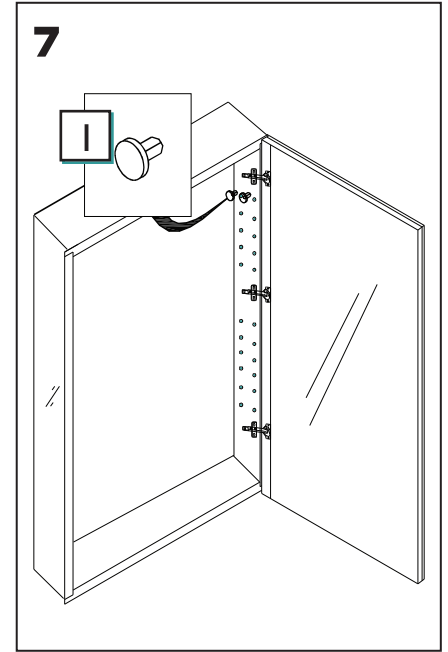
MODEL #	OVERALL DIMENSIONS
1	14 <sup>2</sup> / <sub>5</sub> " X 23 <sup>2</sup> / <sub>5</sub> " X 4 <sup>3</sup> / <sub>5</sub> "
2	14 <sup>2</sup> / <sub>5</sub> " X 29 <sup>2</sup> / <sub>5</sub> " X 4 <sup>3</sup> / <sub>5</sub> "
3	14 <sup>2</sup> / <sub>5</sub> " X 39 <sup>2</sup> / <sub>5</sub> " X 4 <sup>3</sup> / <sub>5</sub> "
4	19 <sup>2</sup> / <sub>5</sub> " X 23 <sup>2</sup> / <sub>5</sub> " X 4 <sup>3</sup> / <sub>5</sub> "
5	19 <sup>2</sup> / <sub>5</sub> " X 29 <sup>2</sup> / <sub>5</sub> " X 4 <sup>3</sup> / <sub>5</sub> "
6	19 <sup>2</sup> / <sub>5</sub> " X 39 <sup>2</sup> / <sub>5</sub> " X 4 <sup>3</sup> / <sub>5</sub> "
7	23 <sup>2</sup> / <sub>5</sub> " X 23 <sup>2</sup> / <sub>5</sub> " X 4 <sup>3</sup> / <sub>5</sub> "
8	23 <sup>2</sup> / <sub>5</sub> " X 29 <sup>2</sup> / <sub>5</sub> " X 4 <sup>3</sup> / <sub>5</sub> "
9	23 <sup>2</sup> / <sub>5</sub> " X 39 <sup>2</sup> / <sub>5</sub> " X 4 <sup>3</sup> / <sub>5</sub> "
10	29 <sup>2</sup> / <sub>5</sub> " X 29 <sup>2</sup> / <sub>5</sub> " X 4 <sup>3</sup> / <sub>5</sub> "
11	23 <sup>2</sup> / <sub>5</sub> " X 35 <sup>2</sup> / <sub>5</sub> " X 4 <sup>3</sup> / <sub>5</sub> "
12	29 <sup>2</sup> / <sub>5</sub> " X 35 <sup>2</sup> / <sub>5</sub> " X 4 <sup>3</sup> / <sub>5</sub> "
13	35 <sup>2</sup> / <sub>5</sub> " X 29 <sup>2</sup> / <sub>5</sub> " X 4 <sup>3</sup> / <sub>5</sub> "
14	35 <sup>2</sup> / <sub>5</sub> " X 35 <sup>2</sup> / <sub>5</sub> " X 4 <sup>3</sup> / <sub>5</sub> "



5  
Cut the marked perimeter with the appropriate tool.



6  
1. Level, then secure the cabinet with screws **C** through the mounting holes into the framing studs.  
2. Choose the position for your shelves, then push and twist the Clips **H** into place.



7  
Fill remaining holes with Pegs **I**.

