













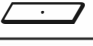


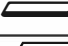
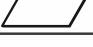

## CARE AND MAINTENANCE

Spot clean using a mild water-free solvent. Only a professional cleaner should undertake a complete overall cleaning.  
The use of steam or water-based cleaners may cause excessive shrinking or staining.

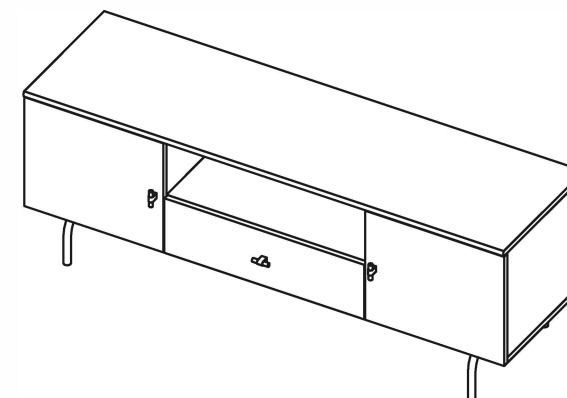
## NOTICE
















- \* Please make sure that you have all parts indicated before you begin assembly of this item.
- \* This item should be assembled on a soft surface to prevent scratching the finish during assembly.
- \* This item may require periodic tightening.

### Part List and Hardware List

PIECE	DESCRIPTION	PICTURE	QUANTITY
A	TOP PANEL		1X
B	LEFT PANEL		1X
C	RIGHT PANEL		1X
D	LEFT DIVIDER		1X
E	RIGHT DIVIDER		1X
F	LEFT DOOR		1X
G	RIGHT DOOR		1X
H	SHELF PANEL		1X
I	BOTTOM PANEL		1X
J	BACK PANEL		1X
K	LEG FRAME		2X
L	LEG STRETCHER		2X
M	DRAWER FRONT		1X
N	DRAWER LEFT		1X
O	DRAWER RIGHT		1X
P	DRAWER BACK		1X
Q	DRAWER BASE		1X
R	DRAWER SUPPORT		1X

Product Dimensions: 54"W x 15 3/4"D x 19 11/16"H



PIECE	DESCRIPTION	PICTURE	QUANTITY
1	40 MM BOLT	M6x40mm 	4X
2	1" ROUND HEAD SCREW	M4x25mm 	14X
3	1/2" ROUND HEAD SCREW	M3x13mm 	20X
4	1 1/4" FLAT HEAD SCREW	M3x32mm 	11X
5	3/4" FLAT HEAD SCREW	M3x19mm 	6X
6	1/2" FLAT HEAD SCREW	M3x13mm 	8X
7	CAMBOLT		28X
8	CAMLOCK		28X
9	HANDLE		3X
10	MACHINE SCREW	M4x22mm 	3X
11	HINGE		4X
12	WEDGE		8X
13	WOODEN DOWEL		20X
14	ALLEN KEY		1X
15	MAGNET		2X

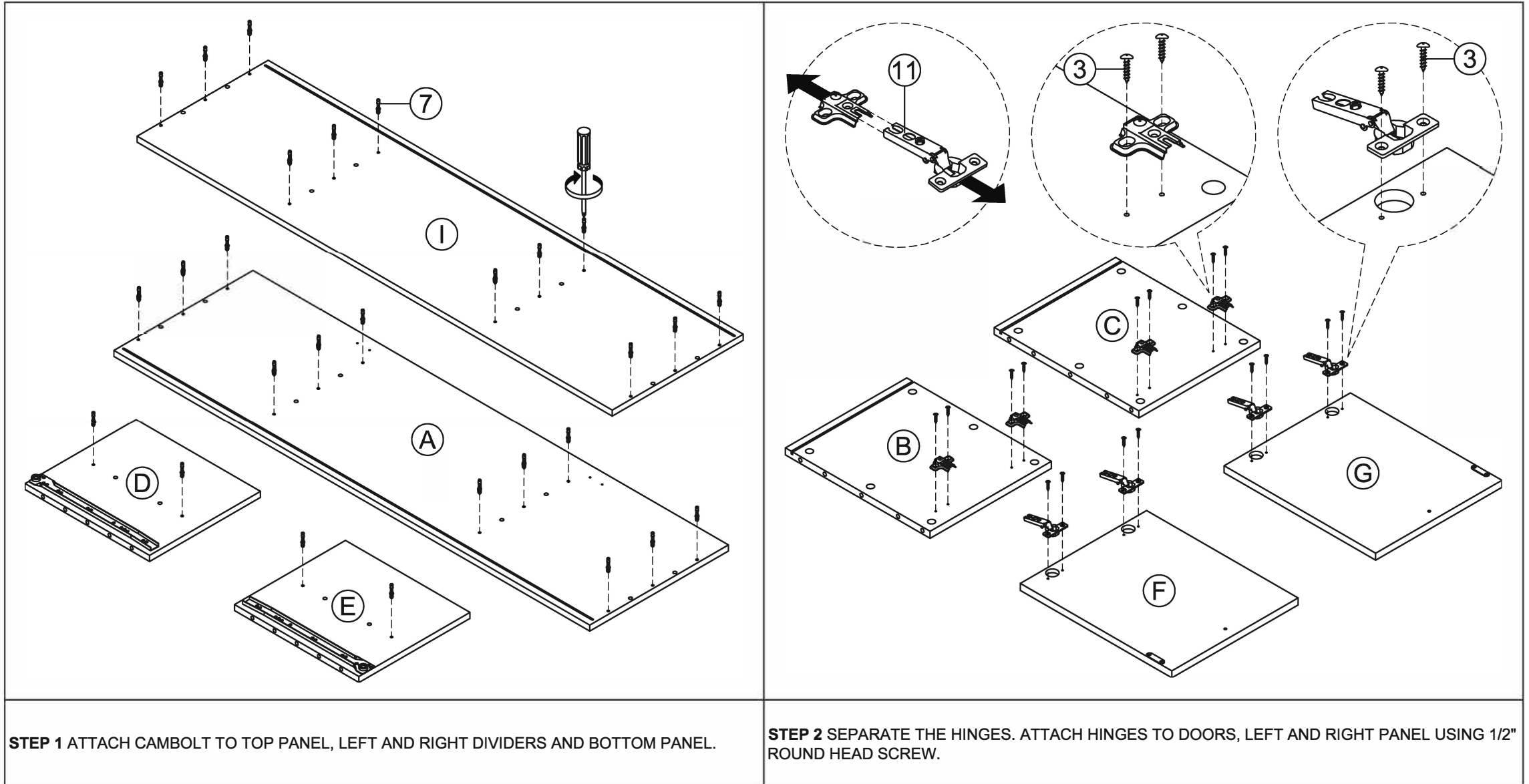
## PREPARATION

Before beginning assembly of product, make sure all parts are present. Compare parts with package contents list and hardware contents list.

If any part is missing or damaged, do not attempt to assemble the product.

Estimated Assembly Time: 60 minutes.

Tools Required for Assembly : Phillips Screwdriver



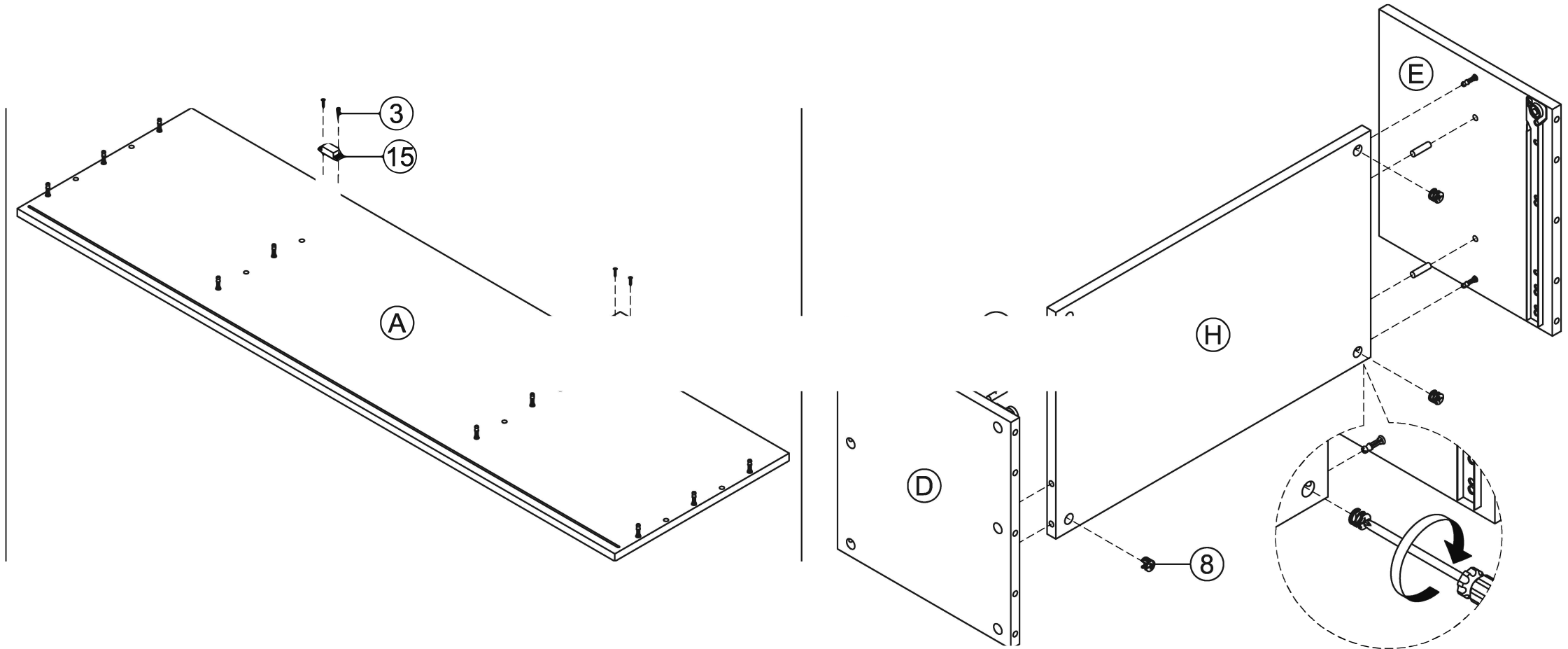
## PREPARATION

Before beginning assembly of product, make sure all parts are present. Compare parts with package contents list and hardware contents list.

If any part is missing or damaged, do not attempt to assemble the product.

Estimated Assembly Time: 60 minutes.

Tools Required for Assembly : Phillips Screwdriver



**STEP 3** ATTACH MAGNETS TO TOP PANEL USING 1/2" ROUND HEAD SCREWS.

**STEP 4** ATTACH SHELF PANEL TO LEFT AND RIGHT DIVIDERS USING CAMLOCK AND WOODEN DOWEL.

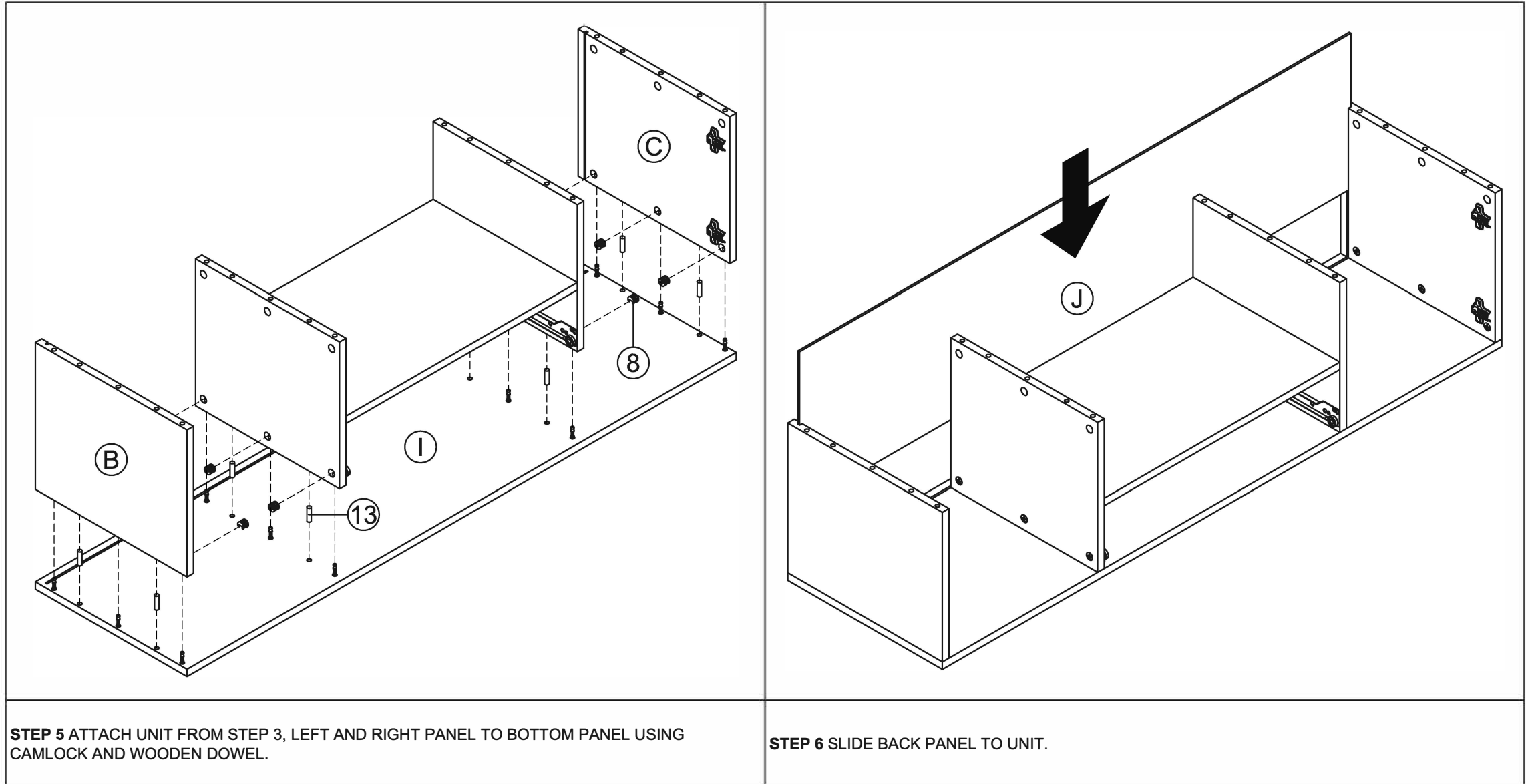
## PREPARATION

Before beginning assembly of product, make sure all parts are present. Compare parts with package contents list and hardware contents list.

If any part is missing or damaged, do not attempt to assemble the product.

Estimated Assembly Time: 60 minutes.

Tools Required for Assembly : Phillips Screwdriver

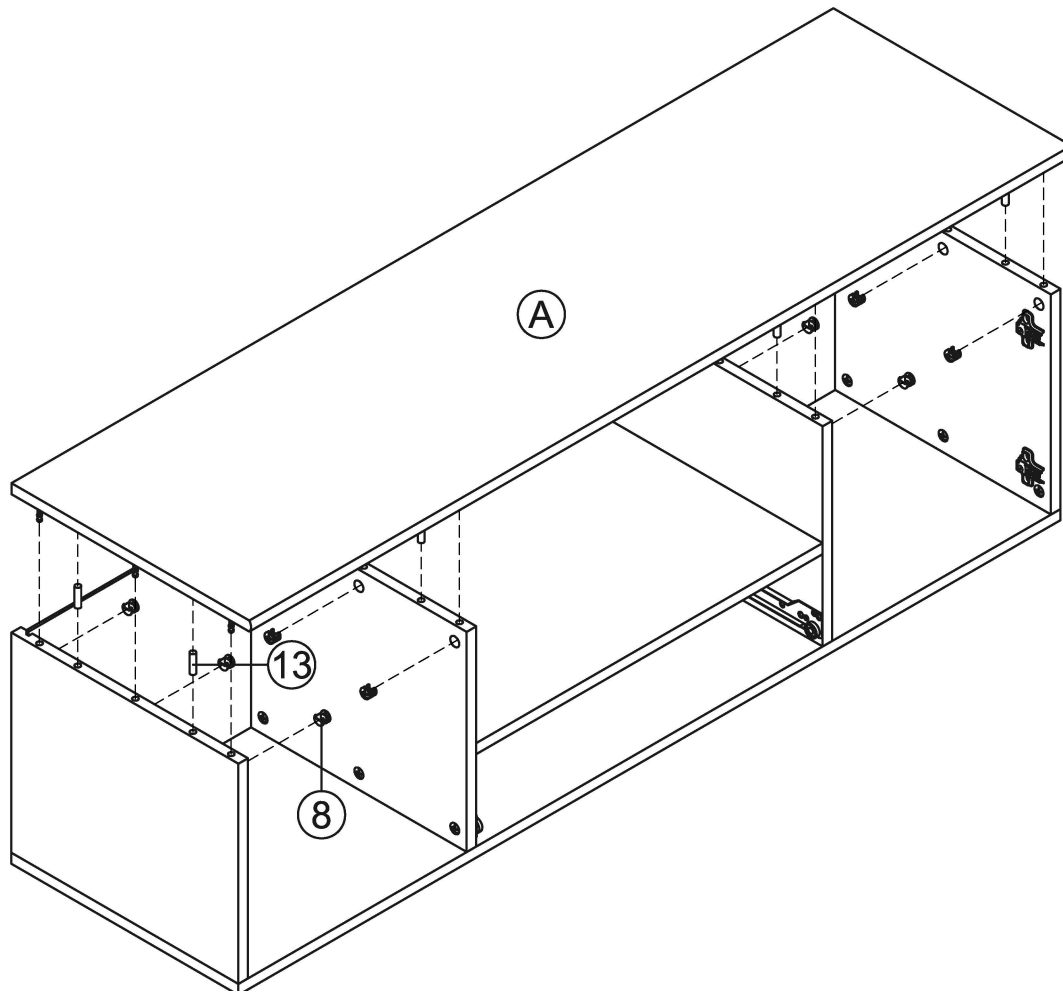


## PREPARATION

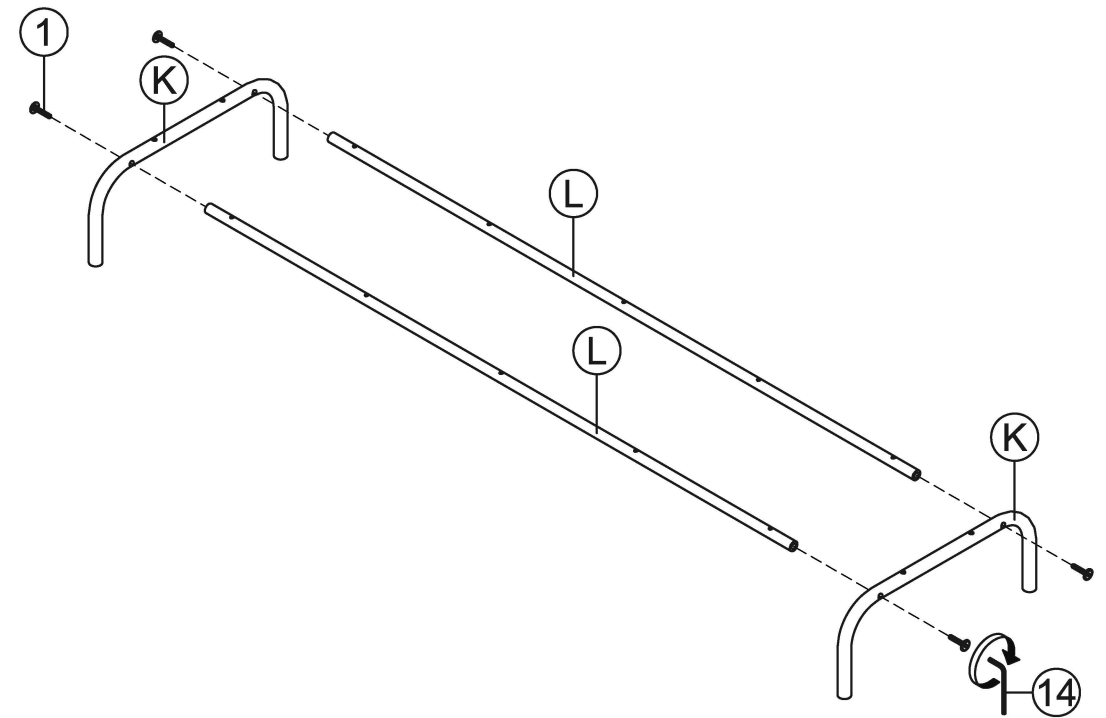
Before beginning assembly of product, make sure all parts are present. Compare parts with package contents list and hardware contents list.  
If any part is missing or damaged, do not attempt to assemble the product.

Estimated Assembly Time: 60 minutes.

Tools Required for Assembly : Phillips Screwdriver



**STEP 7** ATTACH TOP PANEL TO UNIT USING CAMLOCK AND WOODEN DOWEL.



**STEP 8** ATTACH LEG STRETCHER TO LEG FRAME USING 40 MM BOLT. TIGHTEN IT USING ALLEN KEY.

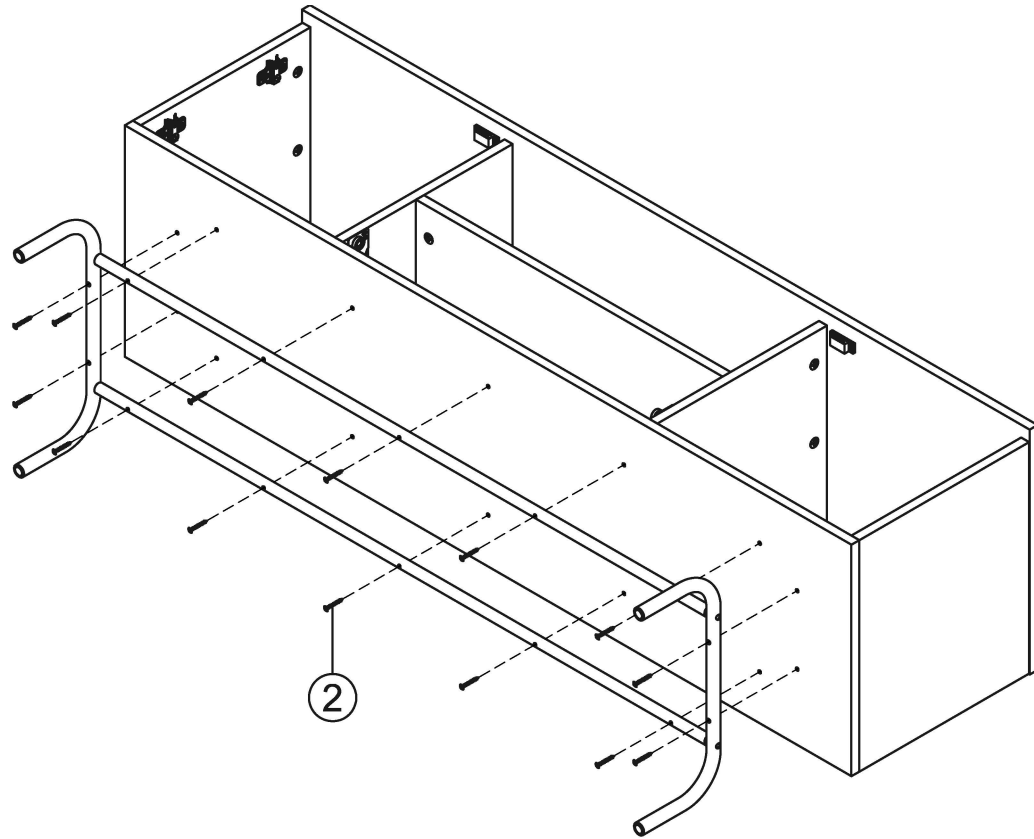
## PREPARATION

Before beginning assembly of product, make sure all parts are present. Compare parts with package contents list and hardware contents list.

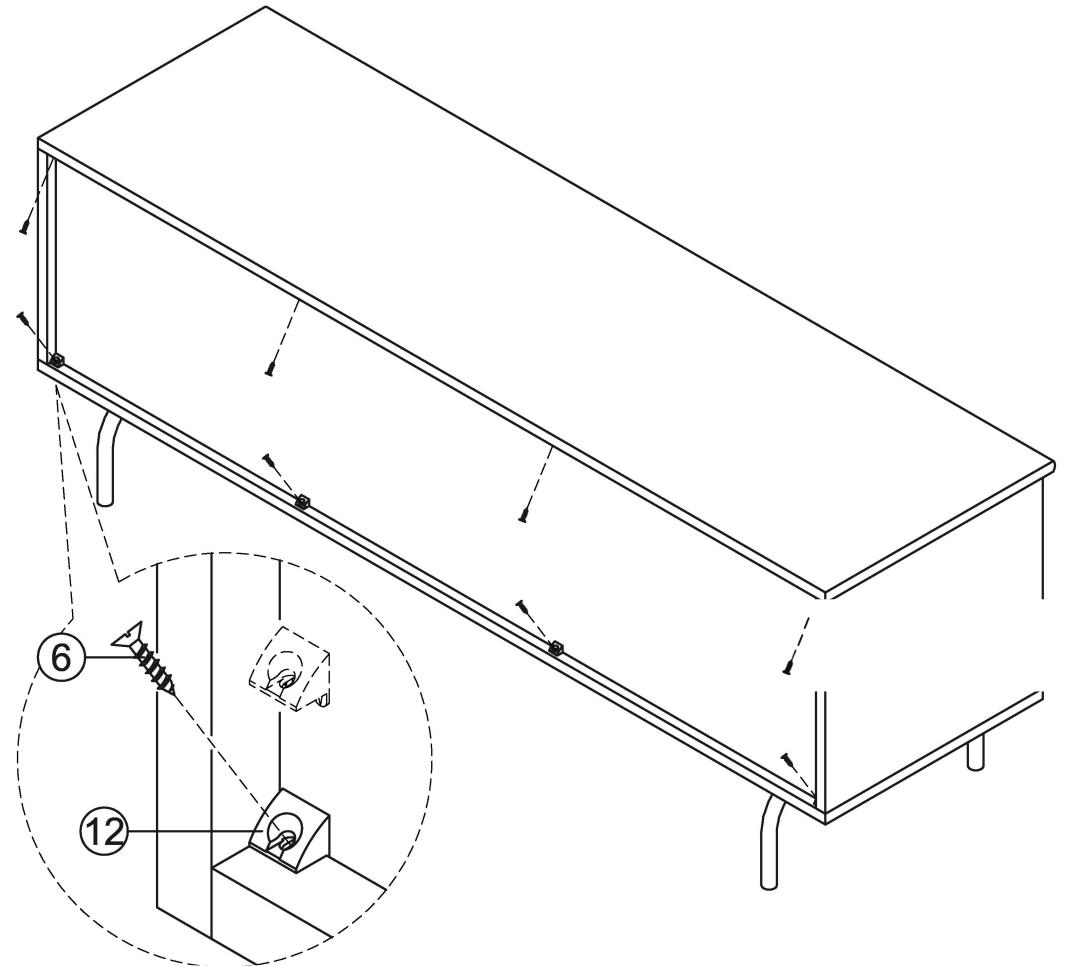
If any part is missing or damaged, do not attempt to assemble the product.

Estimated Assembly Time: 60 minutes.

Tools Required for Assembly : Phillips Screwdriver



**STEP 9** ATTACH UNIT FROM STEP 7 TO UNIT FROM STEP 6 USING 1" ROUND HEAD SCREW.



**STEP 10** ATTACH WEDGE TO LOCK BACK PANEL USING 1/2" FLAT HEAD SCREW.

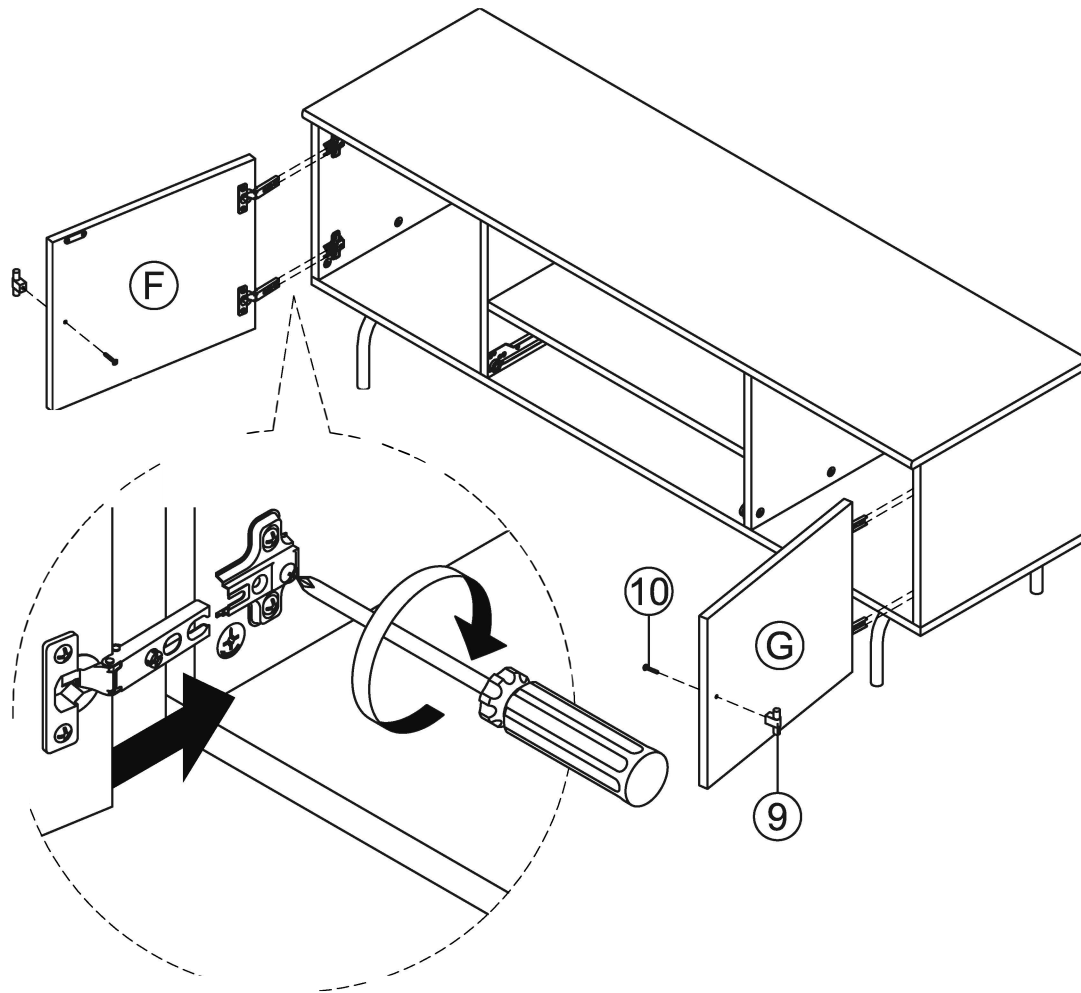
## PREPARATION

Before beginning assembly of product, make sure all parts are present. Compare parts with package contents list and hardware contents list.

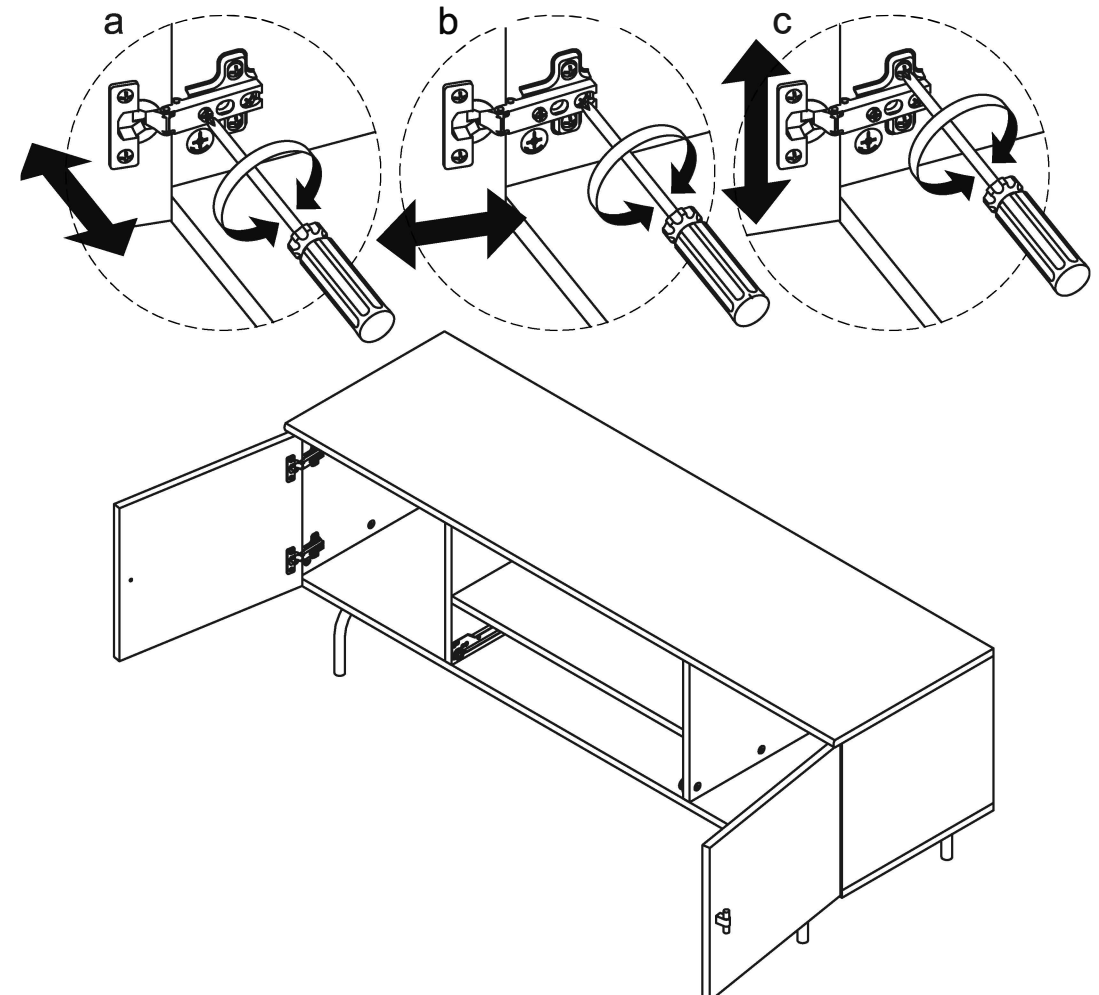
If any part is missing or damaged, do not attempt to assemble the product.

Estimated Assembly Time: 60 minutes.

Tools Required for Assembly : Phillips Screwdriver



**STEP 11** ATTACH DOOR PANEL TO UNIT BY JOIN THE HINGES. ATTACH HANDLE TO DOOR PANEL USING HANDLE BOLT



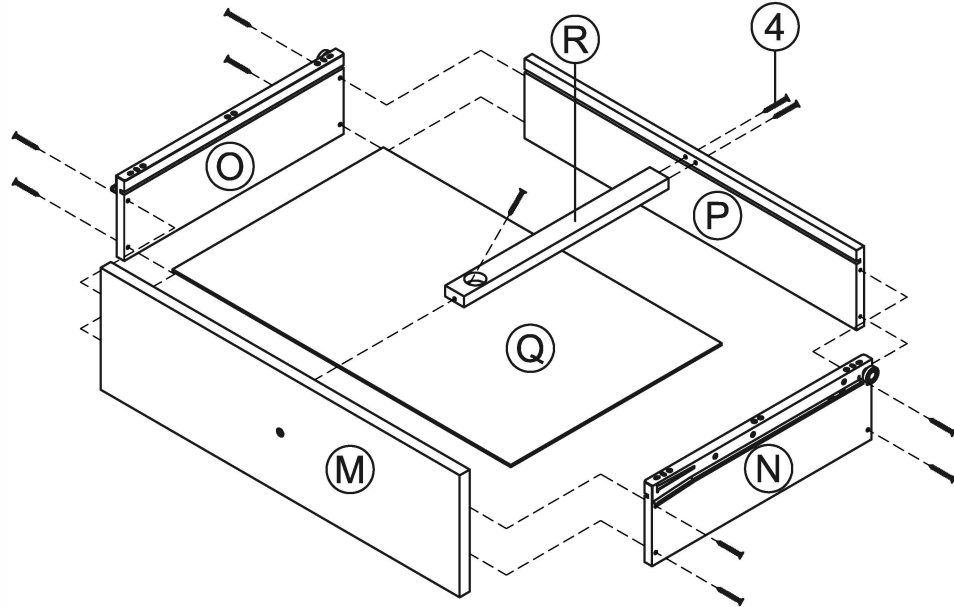
**STEP 12** (a) ADJUST THE DOOR PANEL LEFT OR RIGHT. (b) ADJUST THE DOOR PANEL FORWARD OR BACKWARD. (c) ADJUST THE DOOR PANEL UP OR DOWN.

## PREPARATION

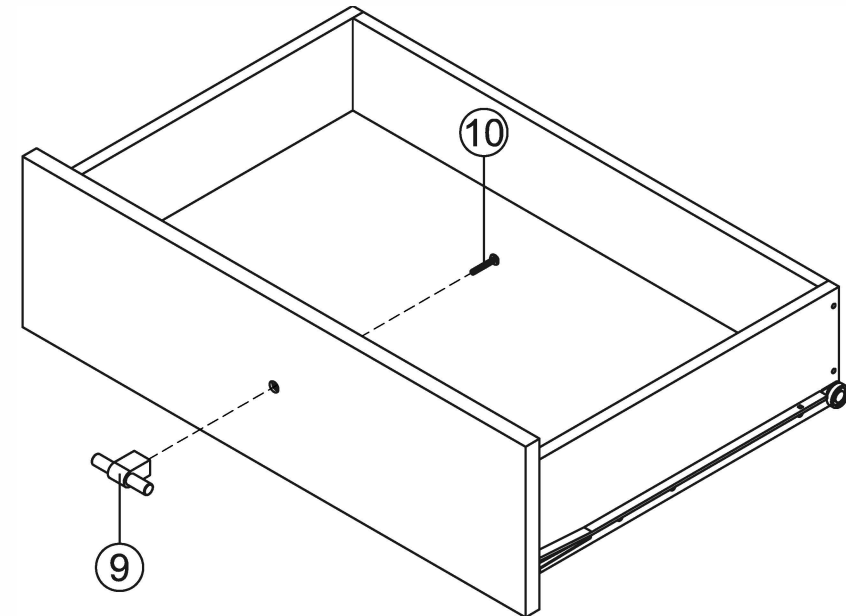
Before beginning assembly of product, make sure all parts are present. Compare parts with package contents list and hardware contents list.  
If any part is missing or damaged, do not attempt to assemble the product.

Estimated Assembly Time: 60 minutes.

Tools Required for Assembly : Phillips Screwdriver



**STEP 13** ATTACH DRAWER LEFT, RIGHT AND SUPPORT TO DRAWER BACK USING 1 1/4" FLAT HEAD SCREWS. SLIDE DRAWER BASE INTO THE GROOVE. ATTACH DRAWER FRONT TO DRAWER LEFT, RIGHT AND SUPPORT USING 1 1/4" FLAT HEAD SCREWS.



**STEP 14** ATTACH HANDLE DRAWER FRONT USING MACHINE SCREW.

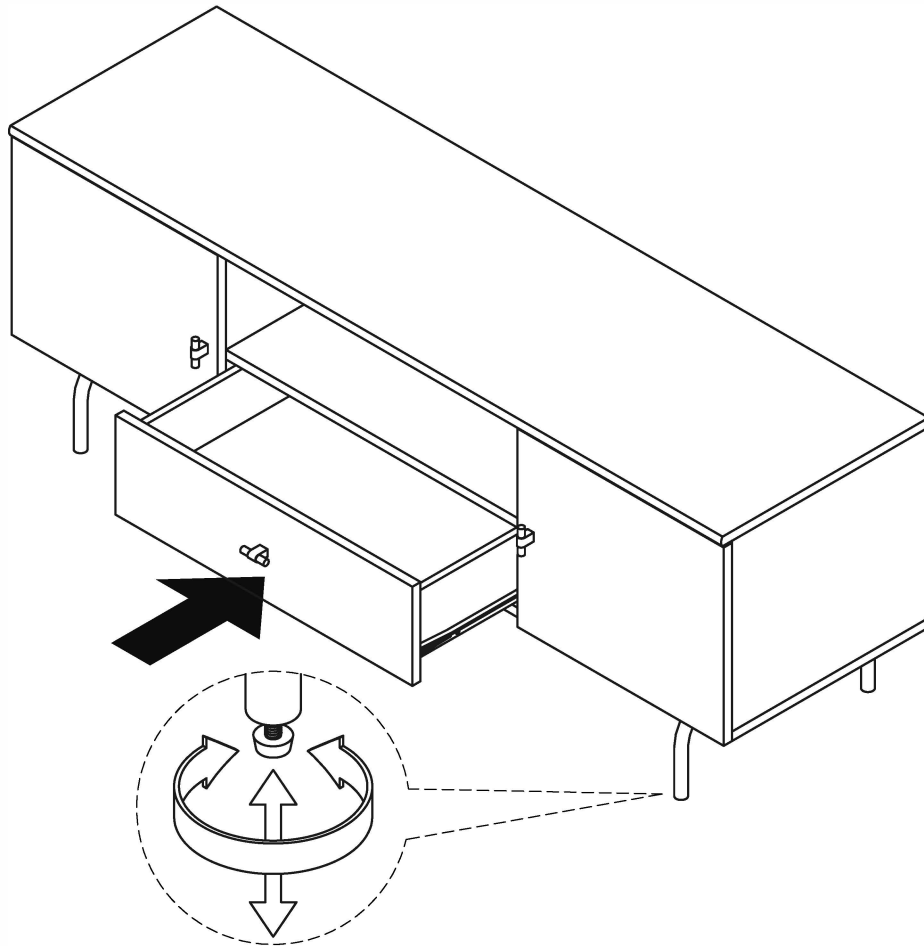
## PREPARATION

Before beginning assembly of product, make sure all parts are present. Compare parts with package contents list and hardware contents list.

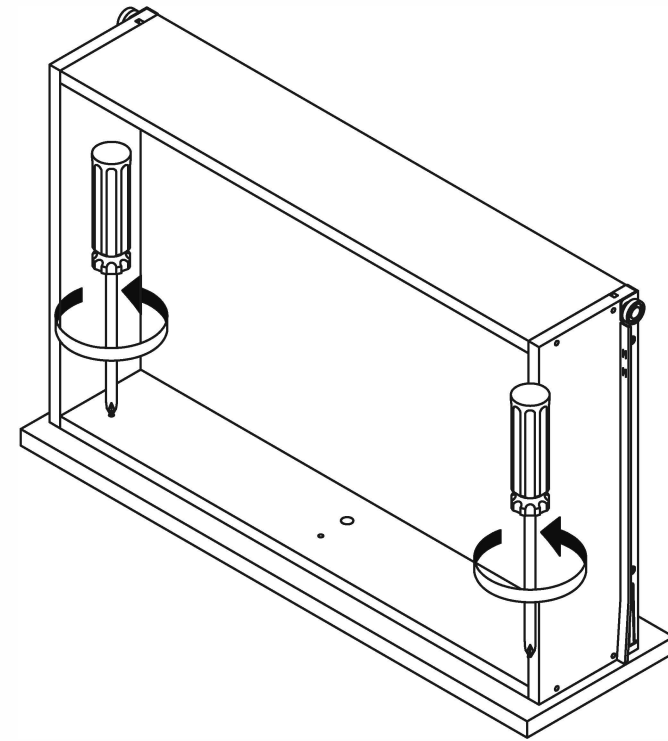
If any part is missing or damaged, do not attempt to assemble the product.

Estimated Assembly Time: 60 minutes.

Tools Required for Assembly : Phillips Screwdriver



**STEP 15** SLIDE THE DRAWER INTO UNIT. ADJUST THE ADJUSTER THAT HAS ALREADY BEEN ASSEMBLED TO THE LEGS TO STABILIZE YOUR UNIT.



**STEP 16** REMOVE DRAWER FROM UNIT. LOOSEN SLIGHTLY THE SCREWS PRE-INSTALLED ON THE BACK OF THE DRAWER FRONTS.

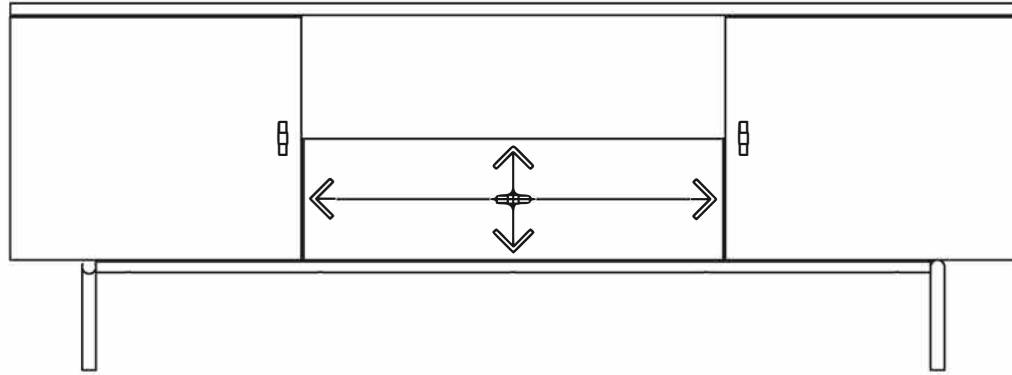
## PREPARATION

Before beginning assembly of product, make sure all parts are present. Compare parts with package contents list and hardware contents list.

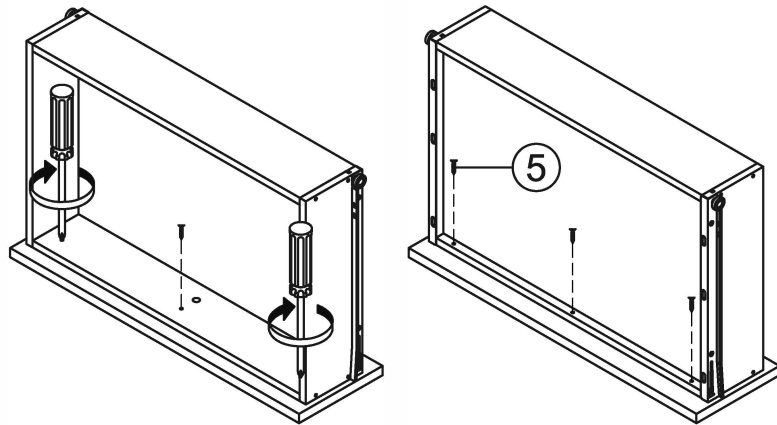
If any part is missing or damaged, do not attempt to assemble the product.

Estimated Assembly Time: 60 minutes.

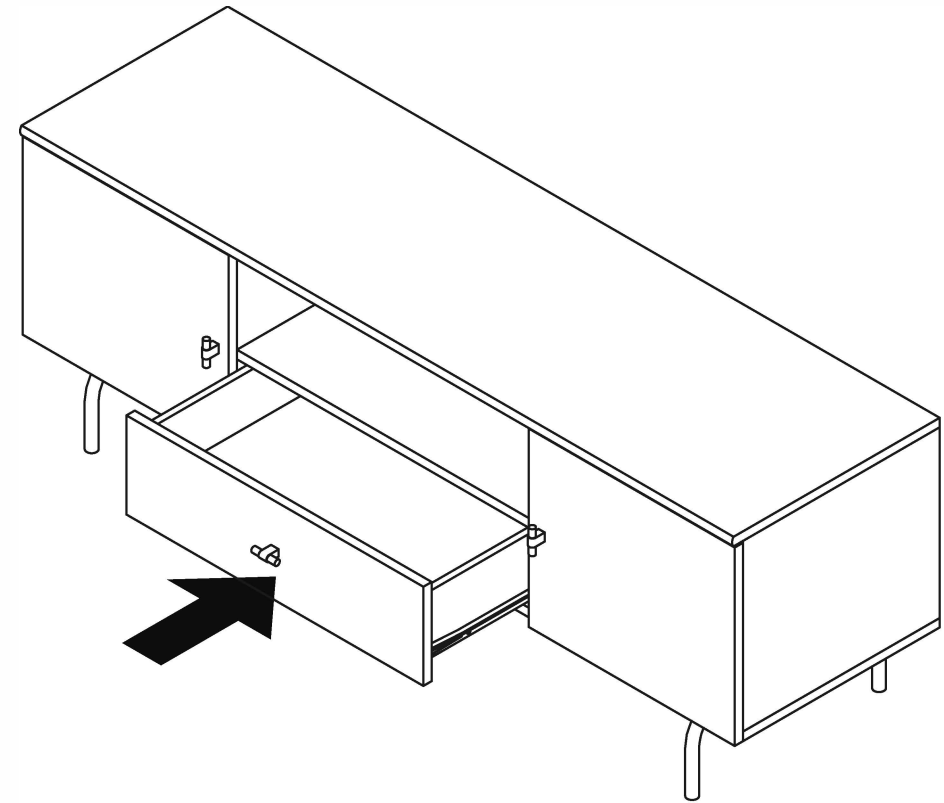
Tools Required for Assembly : Phillips Screwdriver



**STEP 15** INSERT THE DRAWER INTO THE UNIT, THEN ADJUST THE DRAWER FRONT PANEL LEFT OR RIGHT AND UP OR DOWN UNTIL THE DRAWER GAPS LOOK PROPORTIONAL.



**STEP 17** PULL THE DRAWER OPEN SLOWLY AND RE-TIGHTEN THE SCREWS FROM STEP 14. MAKE SURE THE FRONT PANEL DOES NOT MOVE AND LOCK THE DRAWER FRONT PANEL INTO POSITION WITH 3/4" FLAT HEAD SCREWS.



**STEP 18** SLIDE THE DRAWERS INTO UNIT.