

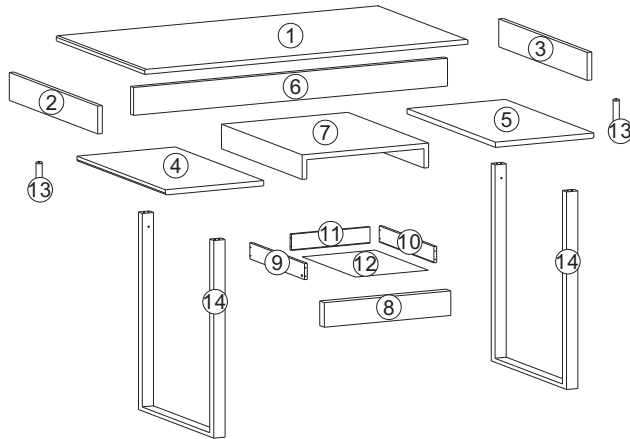
CARE AND MAINTENANCE











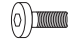




Always use felt pads under all articles to prevent discoloration or softening of the lacquer. Plastic and rubber bases on items can discolor wood. Wipe up spills immediately and avoid common hazards such as hot dishes, harsh solvents and abrasives. Cleaning should be done with a soft lint free cotton cloth dampened with water or furniture polish. On highly used surfaces we recommend applying a quality paste wax which should be used on a regular basis to provide additional protection from scratches and spills. How often you apply the wax depends on how much wear the furniture receives.

NOTICE

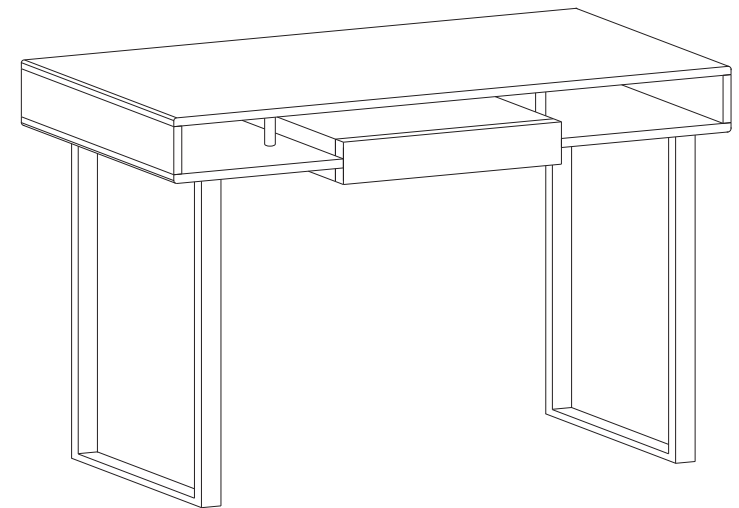
- * Please make sure that you have all parts indicated before you begin assembly of this item
- * This item should be assembled on a soft surface to prevent scratching the finish during assembly
- * This item may require periodic tightening

Part List and Hardware List



Ax2 	Bx4 	Cx15 	Dx15 	Ex10 
Fx8 	Gx2 	Hx2 	Ix2  6x35mm	Jx8  6x30mm
Kx20  6x12mm	Lx4  3.5x35mm	Mx8  4x14mm	Nx1 	Ox13 

Product Dimensions: 47.2"×21.6"×31.1"



PREPARATION

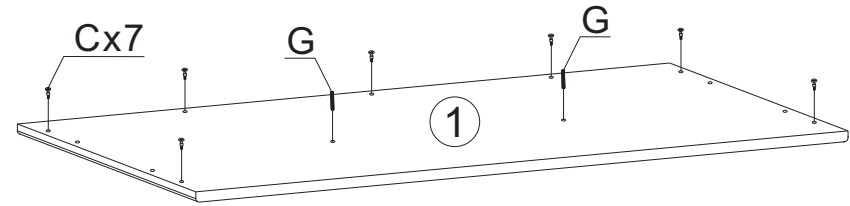
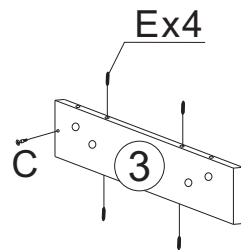
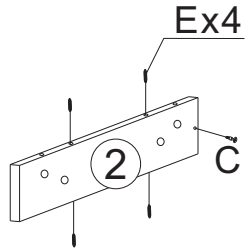
Before beginning assembly of product, make sure all parts are present. Compare parts with package contents list and hardware contents list.

If any part is missing or damaged, do not attempt to assemble the product.

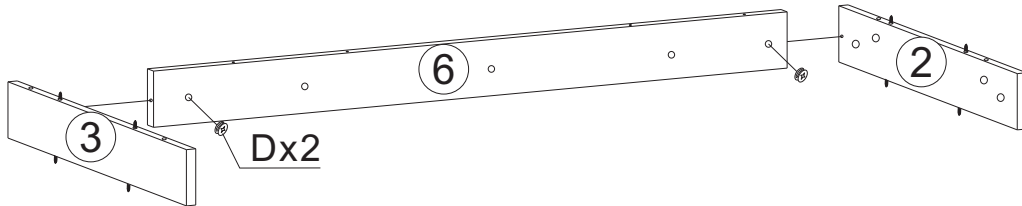
Estimated Assembly Time: 60 minutes.

Tools Required for Assembly (included): Spanner

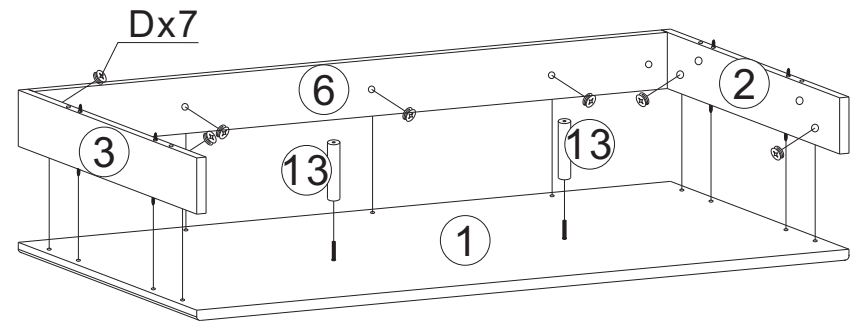
1



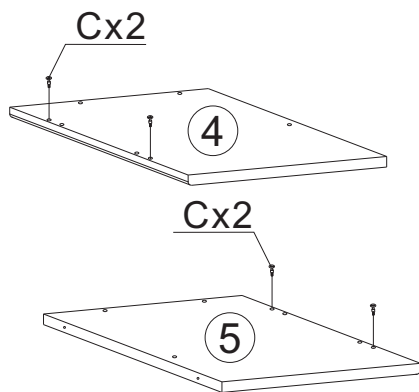
2



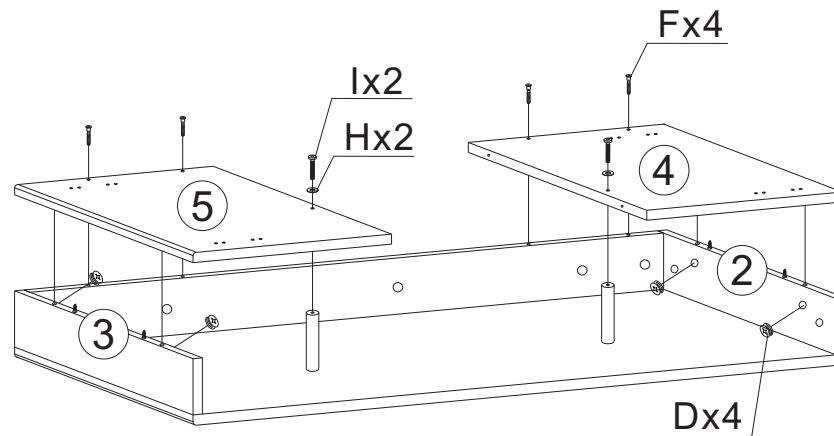
3



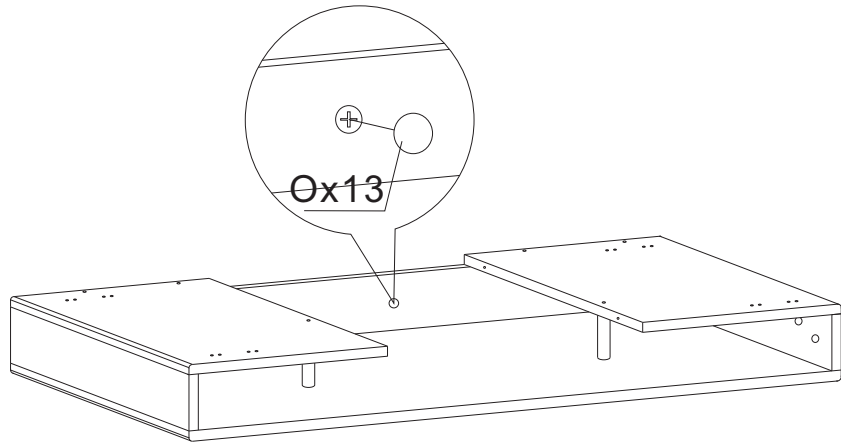
4



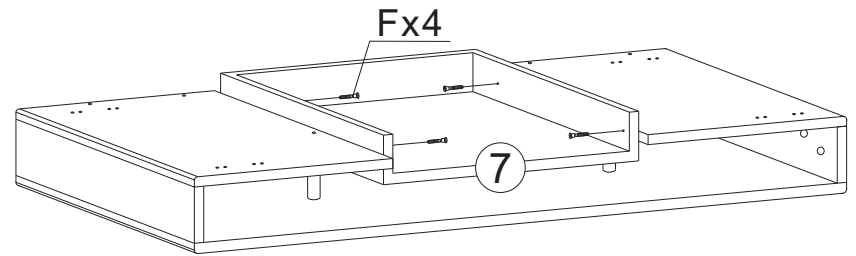
5



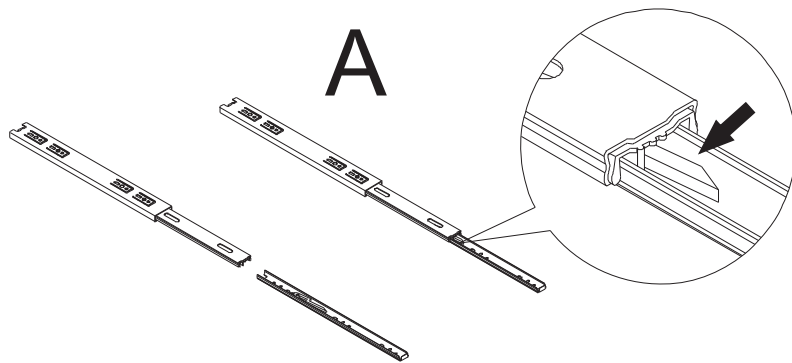
6



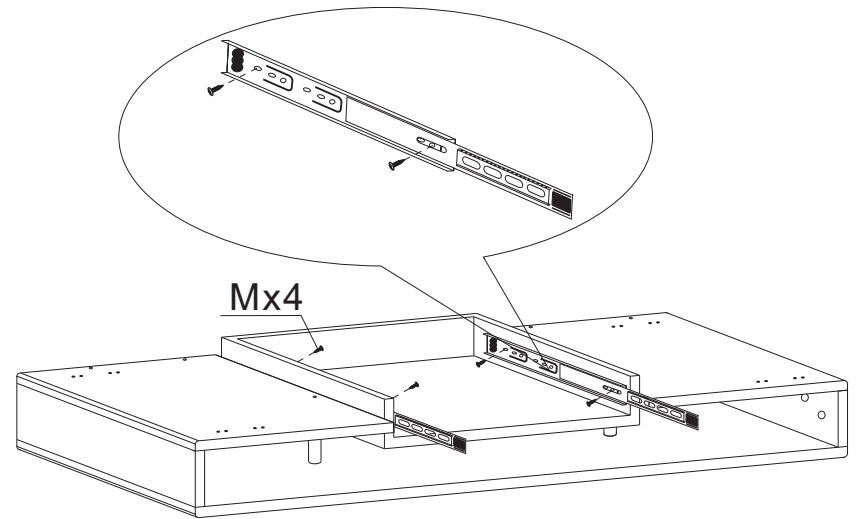
7



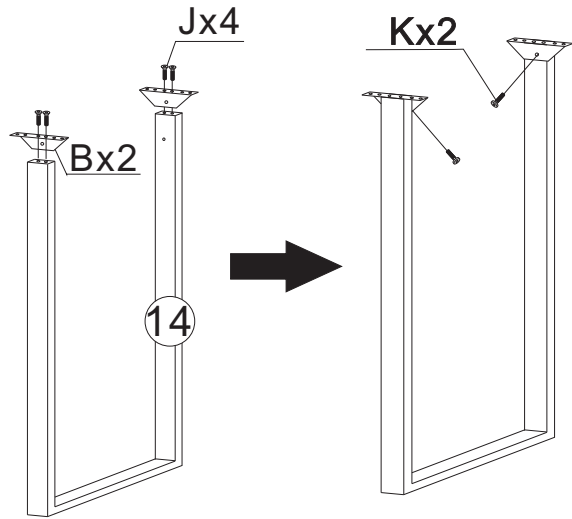
8



9

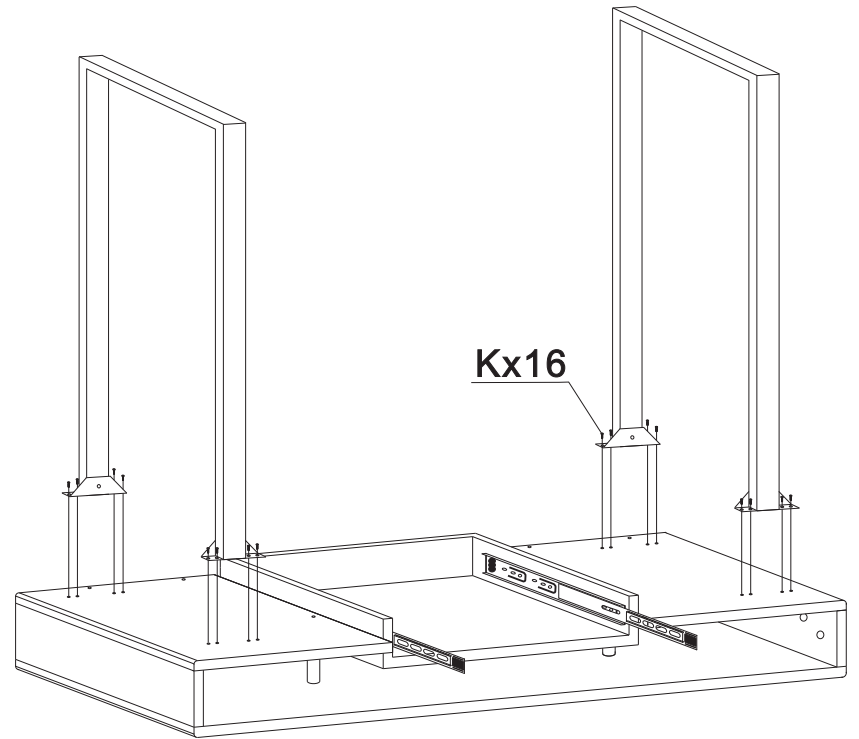


10

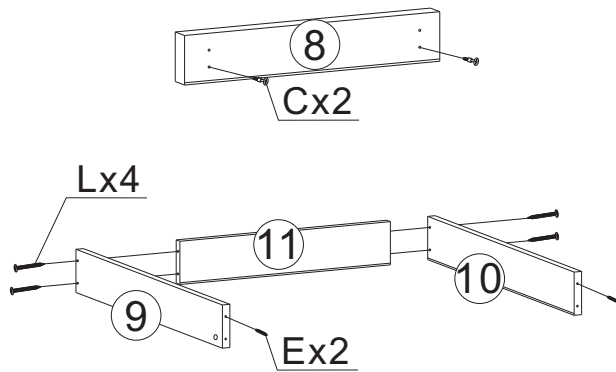


X2

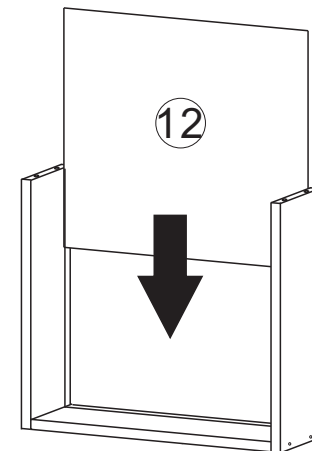
11



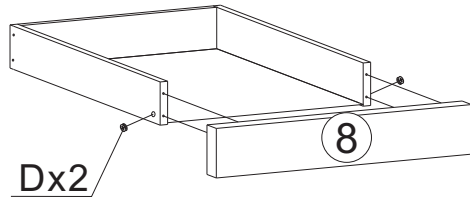
12



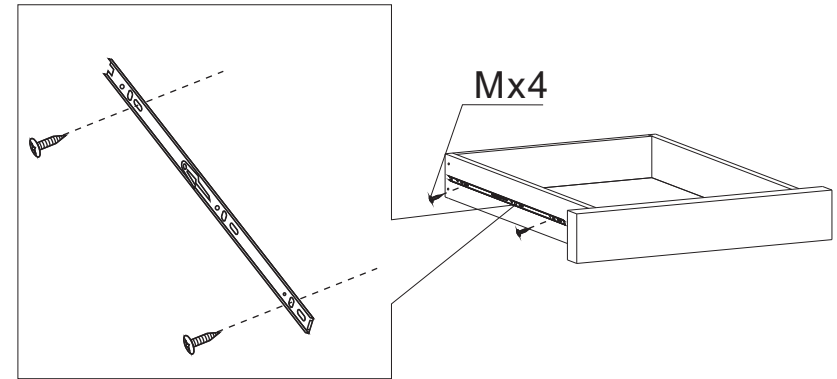
13



14



15



16

