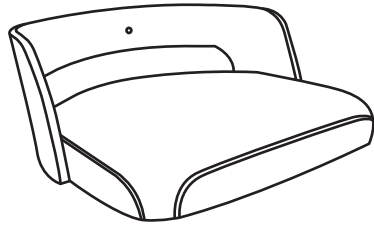
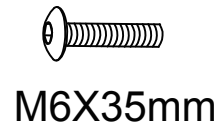


ASSEMBLY INSTRUCTION

A X 1



E X 1+1



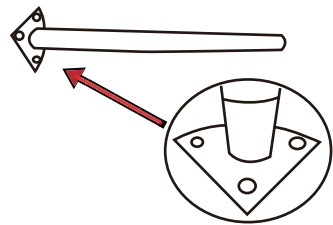
B X 1



FX12+1



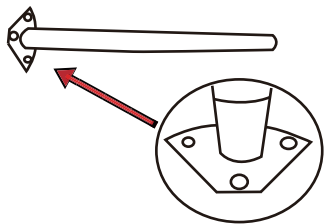
C X 2



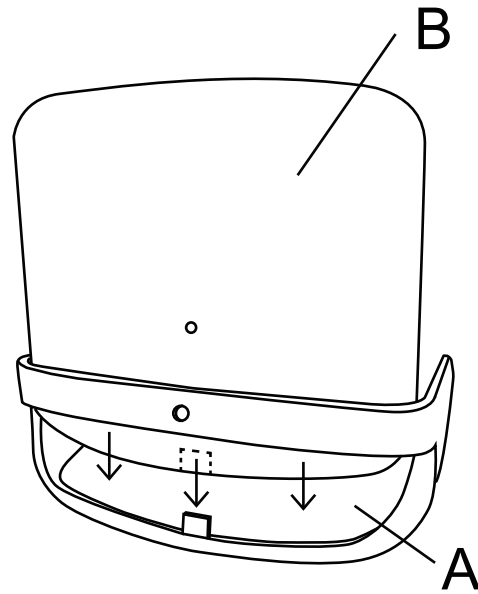
GX1



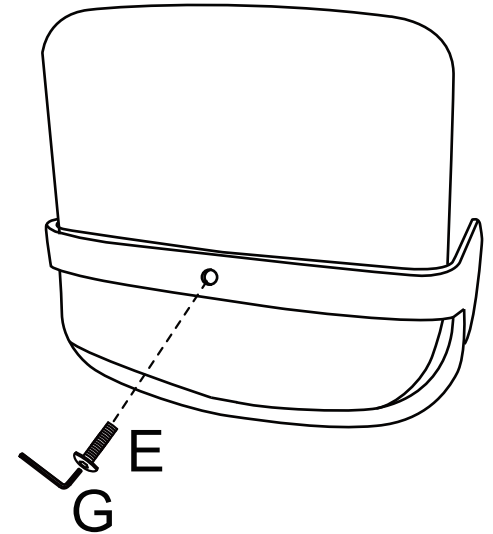
D X 2



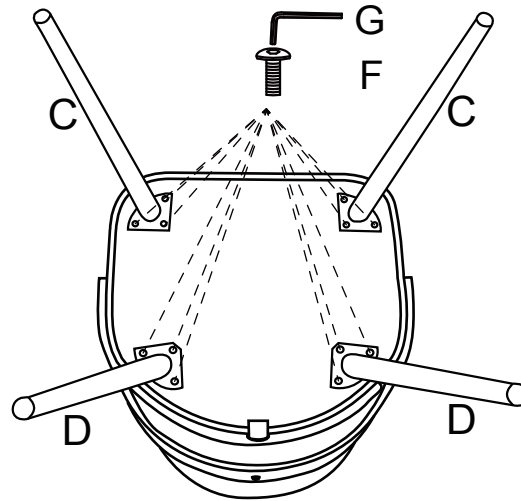
①



②



③



④

