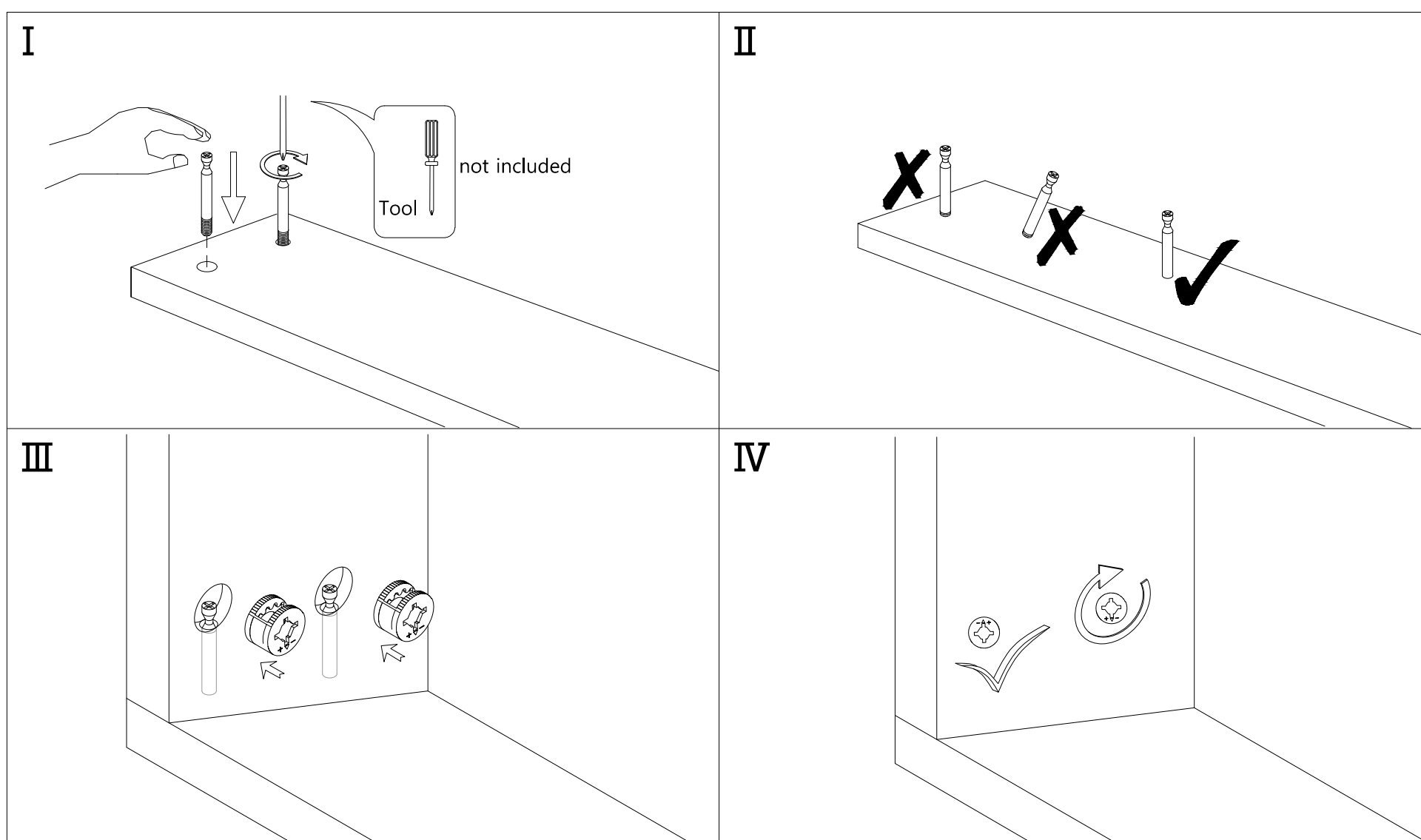


INSTRUCTION MANUAL

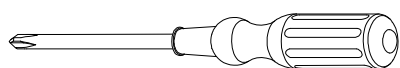
ASSEMBLY INSTRUCTIONS

1. Carefully unpack all the components and verify that all the necessary parts are included, as listed in the packaging.
2. Identify each component and refer to the provided assembly diagram or follow the step-by-step instructions.
3. Assemble the furniture in the specified order to ensure proper alignment and fit.
4. Use the provided tools or recommended tools for assembly. Avoid using excessive force when tightening screws or bolts.
5. If any difficulties arise during assembly, consult the troubleshooting section or contact our customer support.

HIDDEN CONNECTOR INSTALLATION INSTRUCTIONS

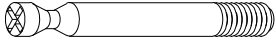
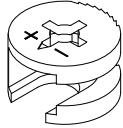
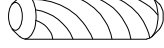
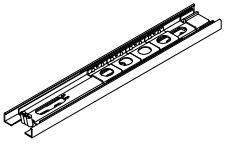
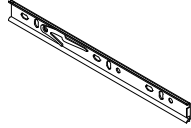
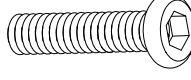
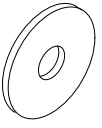


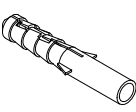
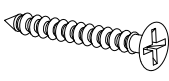
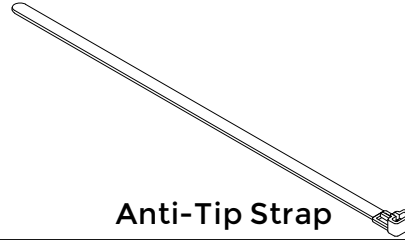
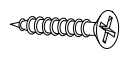

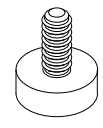
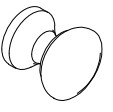
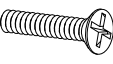
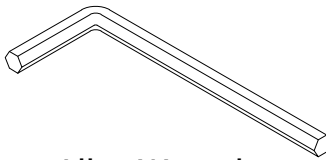


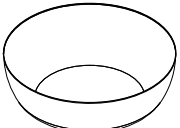
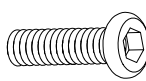

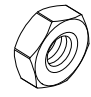
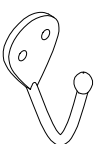
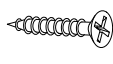


Tools Required

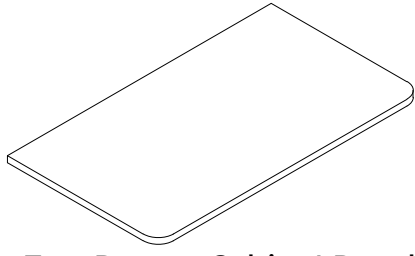
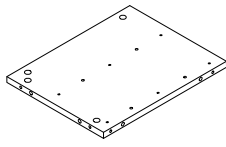
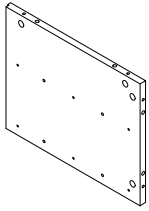
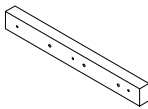
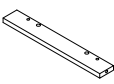
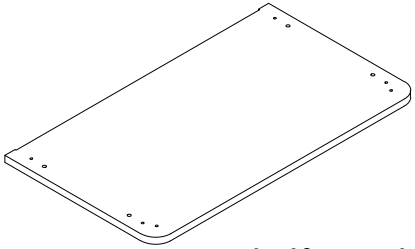
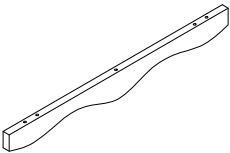
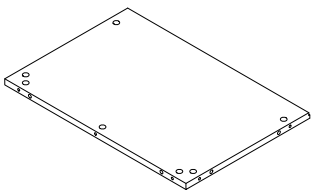
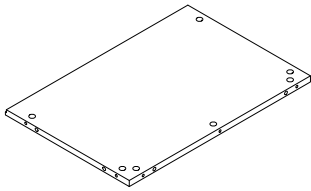
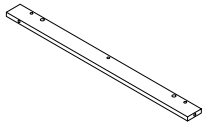
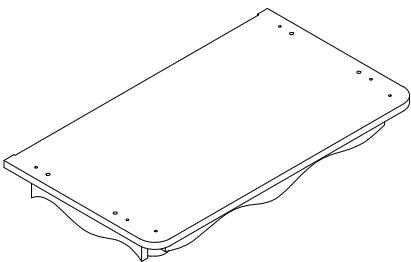

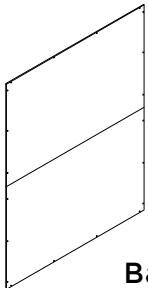
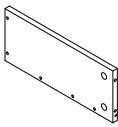
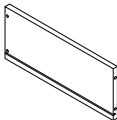
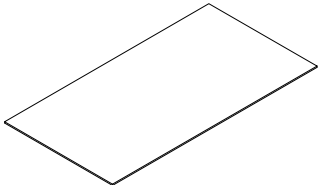
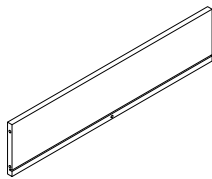
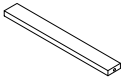
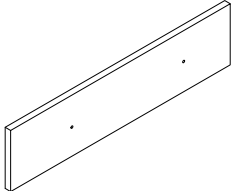
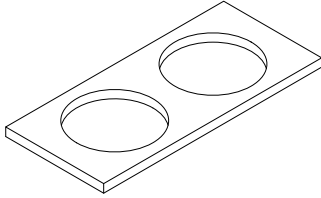
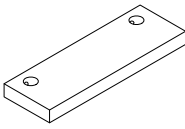
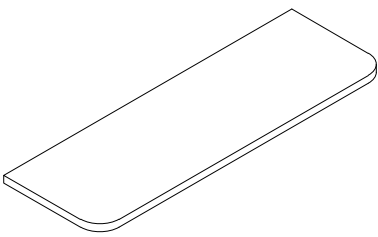
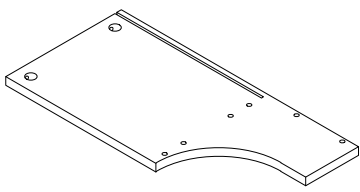
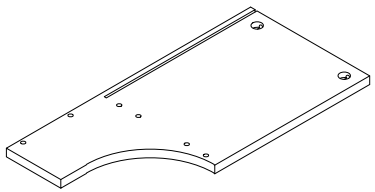


Screwdriver

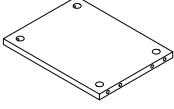
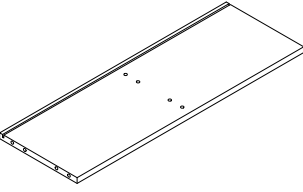
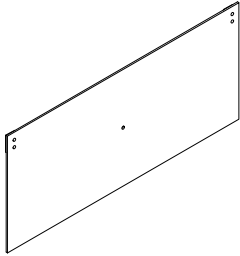
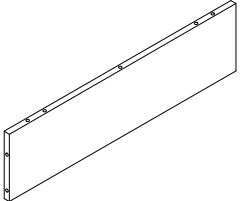
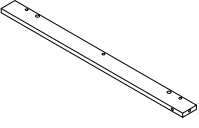
Hardware parts List

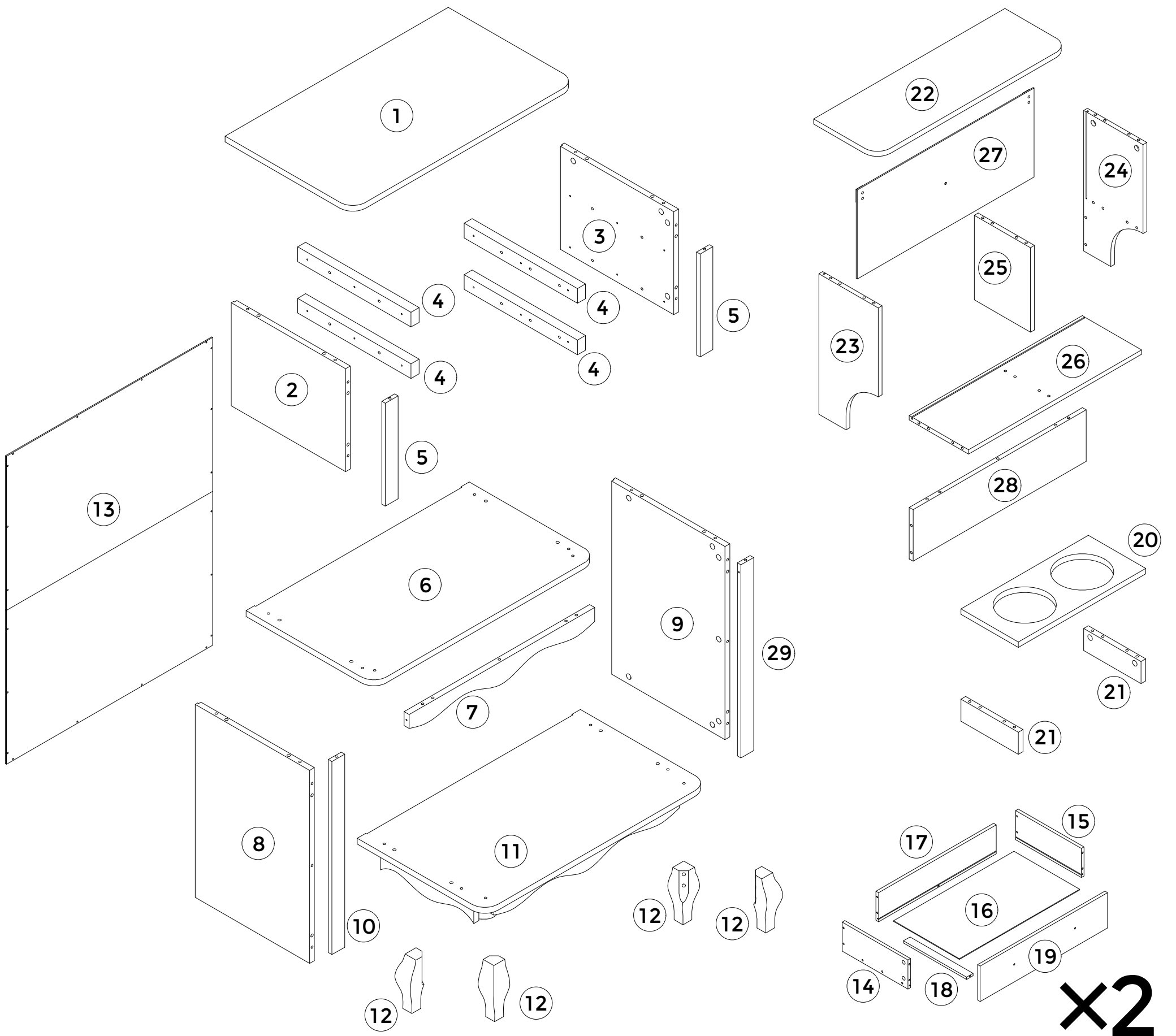
No.	PICTURE	QTY	No.	PICTURE	QTY	No.	PICTURE	QTY
A	 Cam Bolt	56+1	B	 Cam Lock	56+1	C	$\text{Ø}6 \times 30\text{mm}$  Wooden Dowel	50+1
D	 Cabinet Slide	4	E	 Drawer Slide	4	F	M6×33mm  Bolt	8+1
G	 Washer	8+1	H	M3×12mm  Screw	23+1	I	 L-Shaped Iron Strip	4
J	 Anti Tipping Kit	4	K	M4×30mm  Screw	24+1	L	 Anti-Tip Strap	2
M	M3×12mm  Screw	24+1	N	$\text{Ø}6 \times 40\text{mm}$  Wooden Dowel	2	O	 Furniture Glide	4
P	 Handle	4	Q	M4×20mm  Bolt	4	R	 Allen Wrench	1
S	 Cam Cover	32+1	T	M4×35mm  Screw	4+1	U	 Iron Bowl	2
V	M4×18mm  Bolt	4	W	 Hanging Buckle	2	X	M4×4mm  Nut	4
Y	 Hook	8	Z	M3×12mm  Screw	16+1			

Board parts List

No.	PICTURE	QTY	No.	PICTURE	QTY	No.	PICTURE	QTY
1		1	2		1	3		1
4		4	5		2	6		1
7		1	8		1	9		1
10		1	11		1	12		4
13		1	14		2	15		2
16		2	17		2	18		2
19		2	20		1	21		2
22		1	23		1	24		1

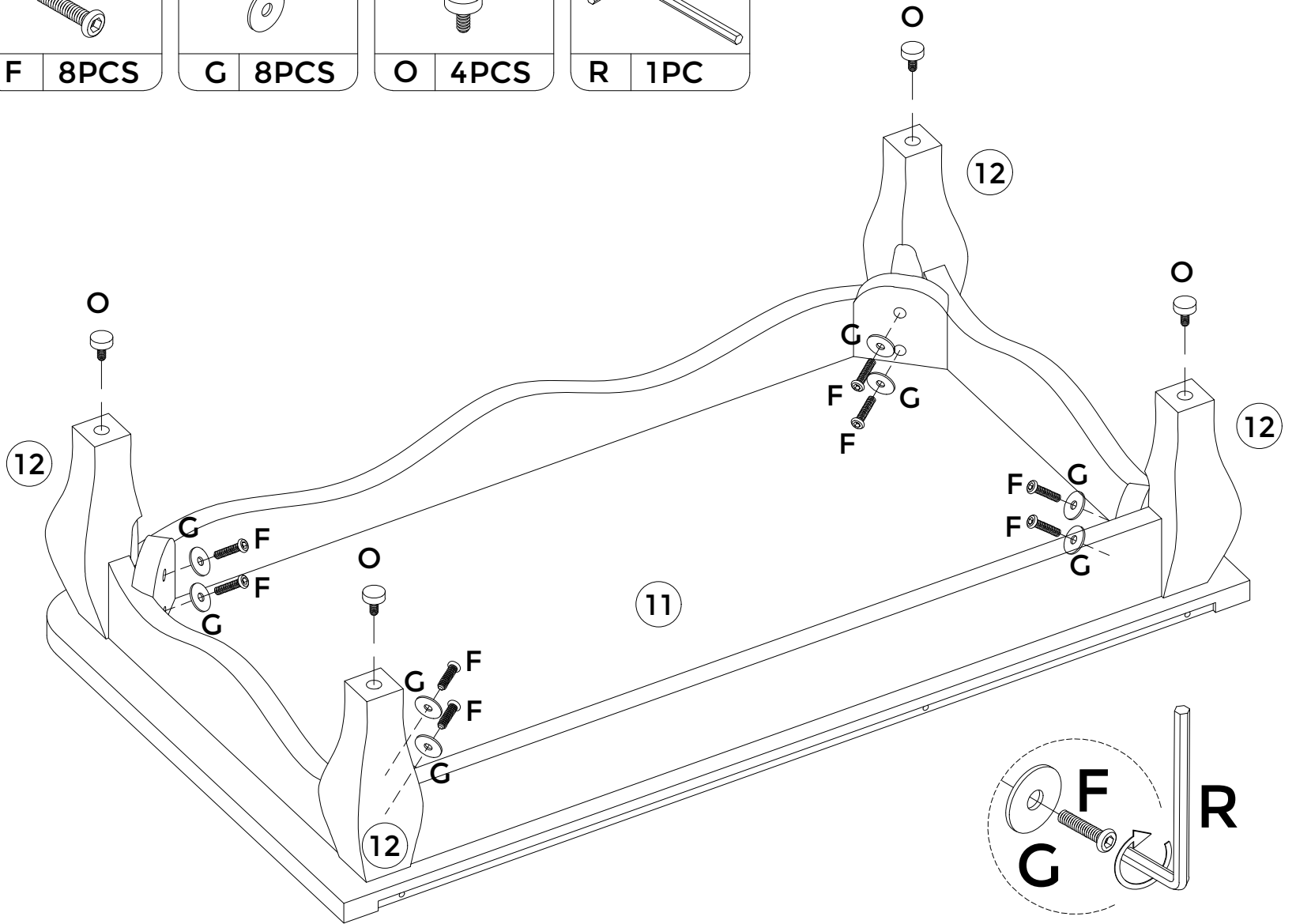
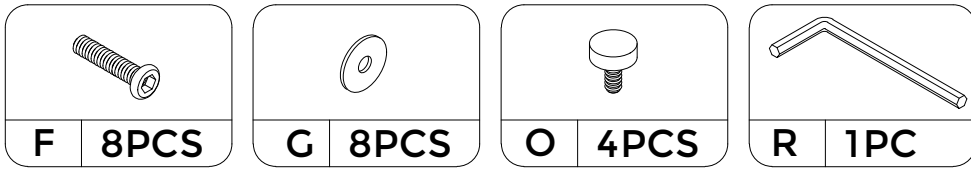
Board parts List

No.	PICTURE	QTY	No.	PICTURE	QTY	No.	PICTURE	QTY
25		1	26		1	27		1
28		1	29		1			

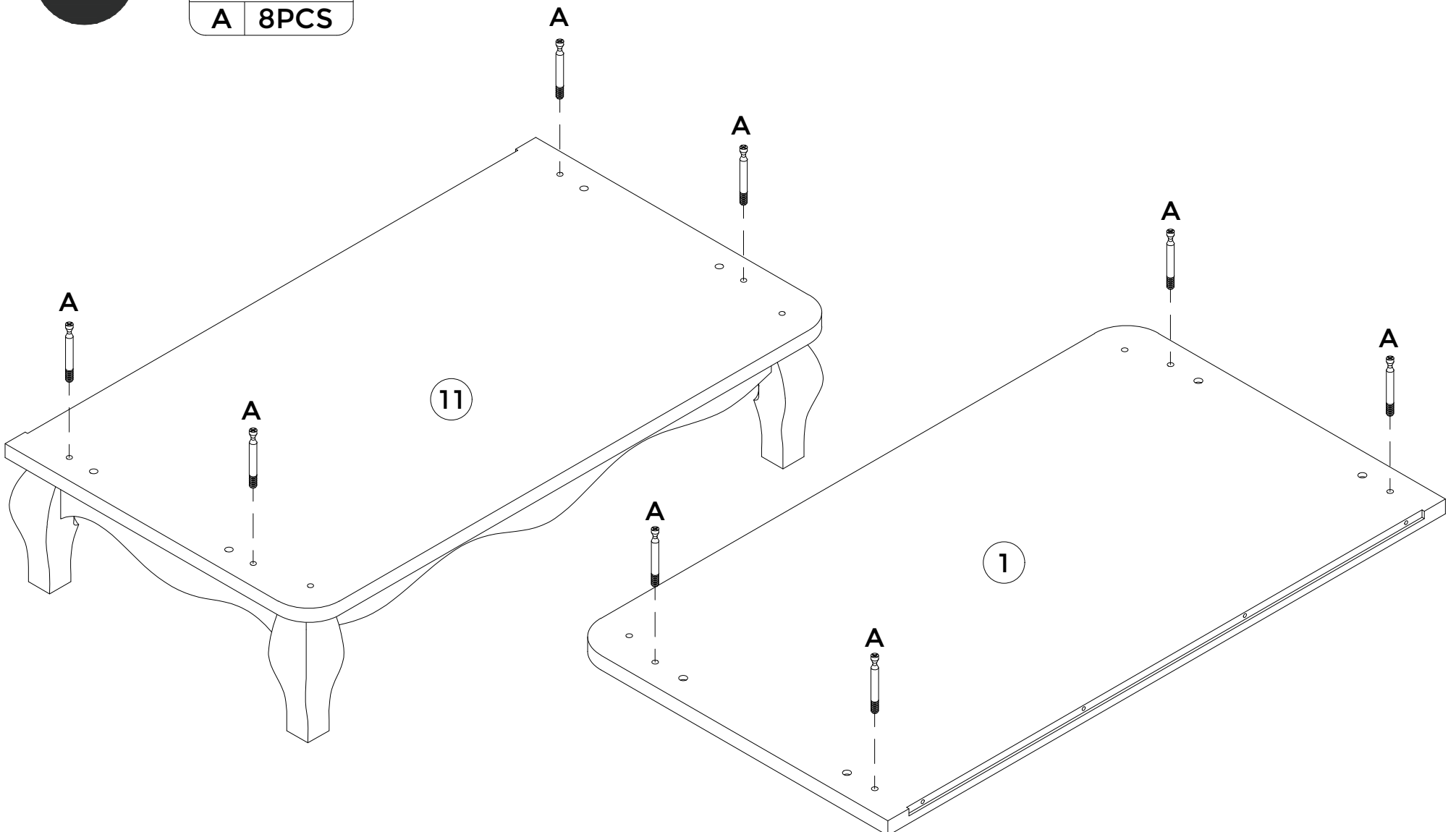
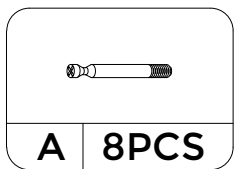


PRODUCT ASSEMBLY

1

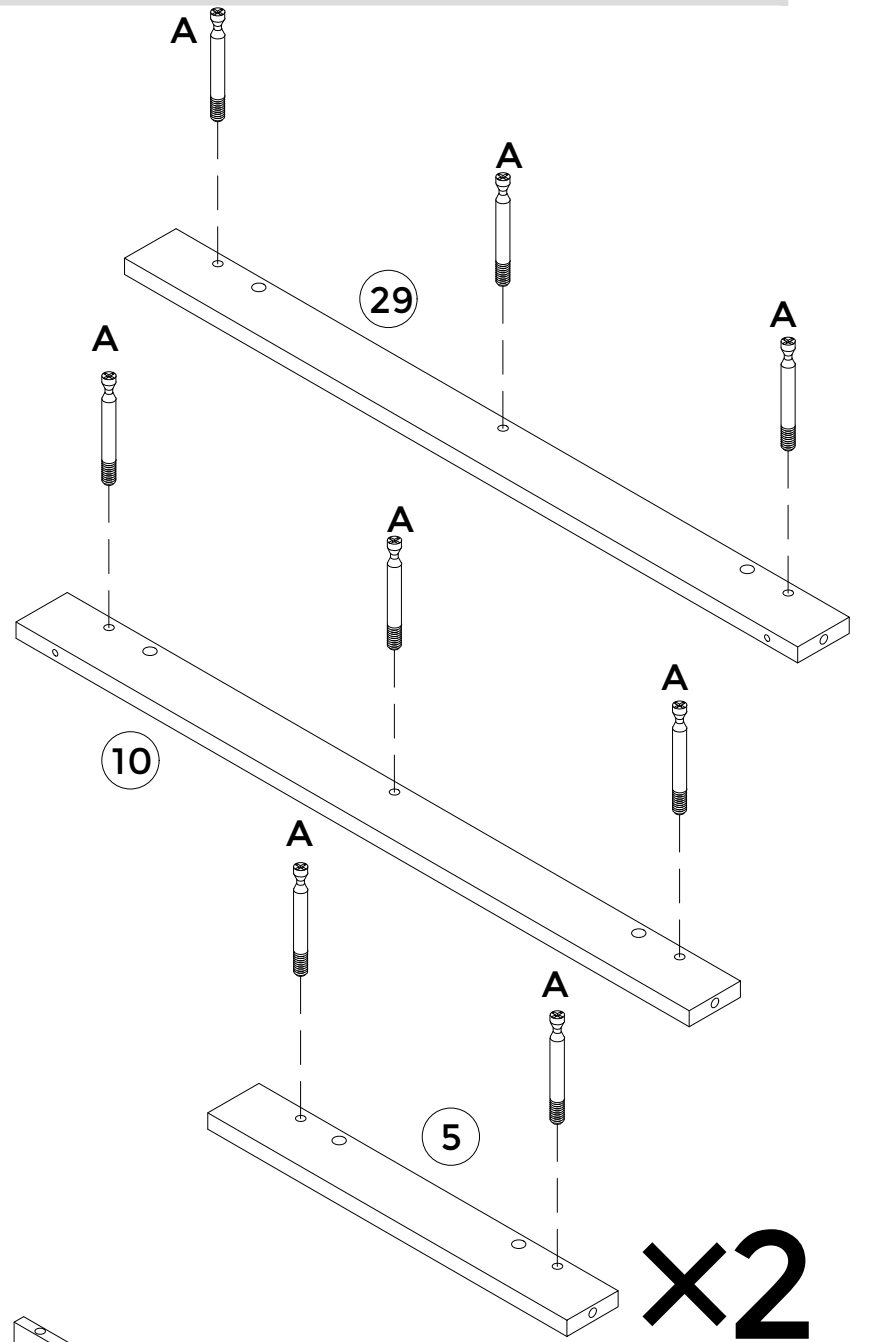
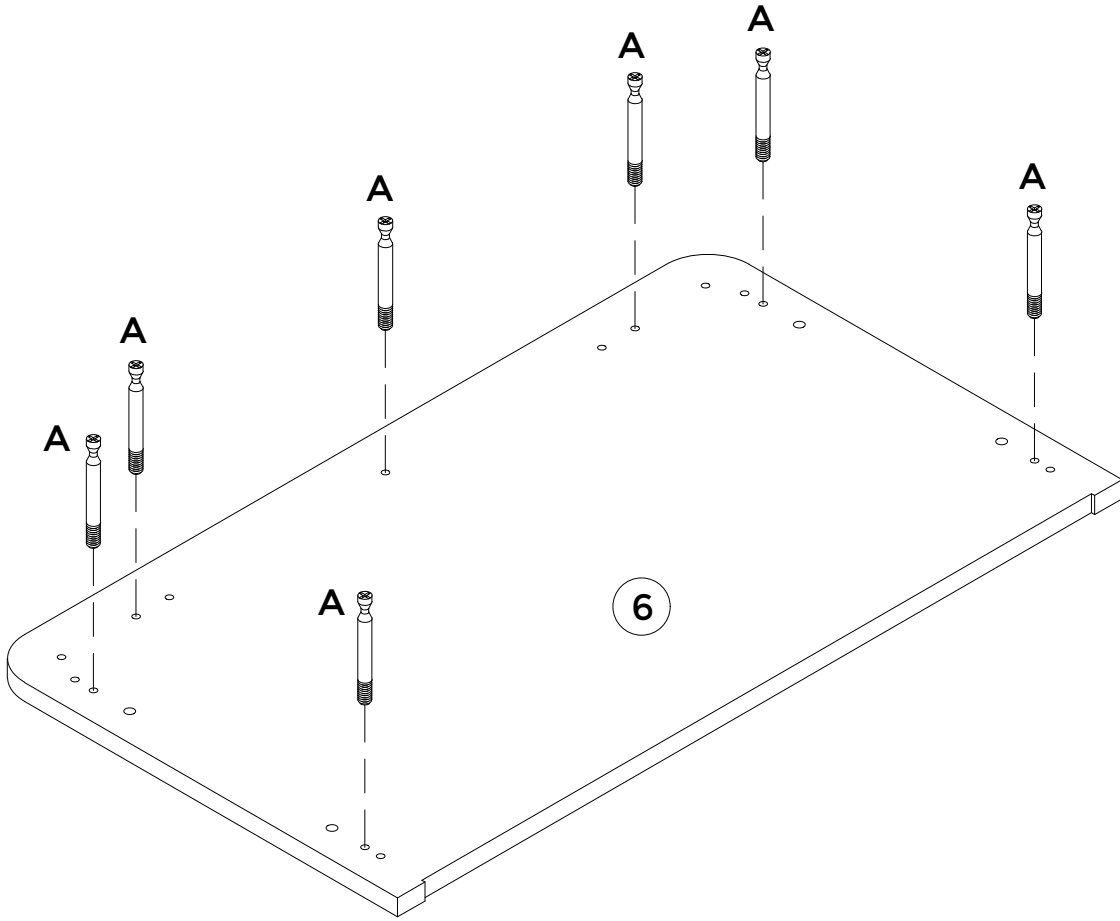
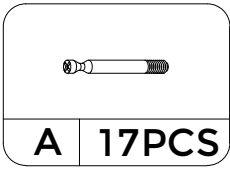


2

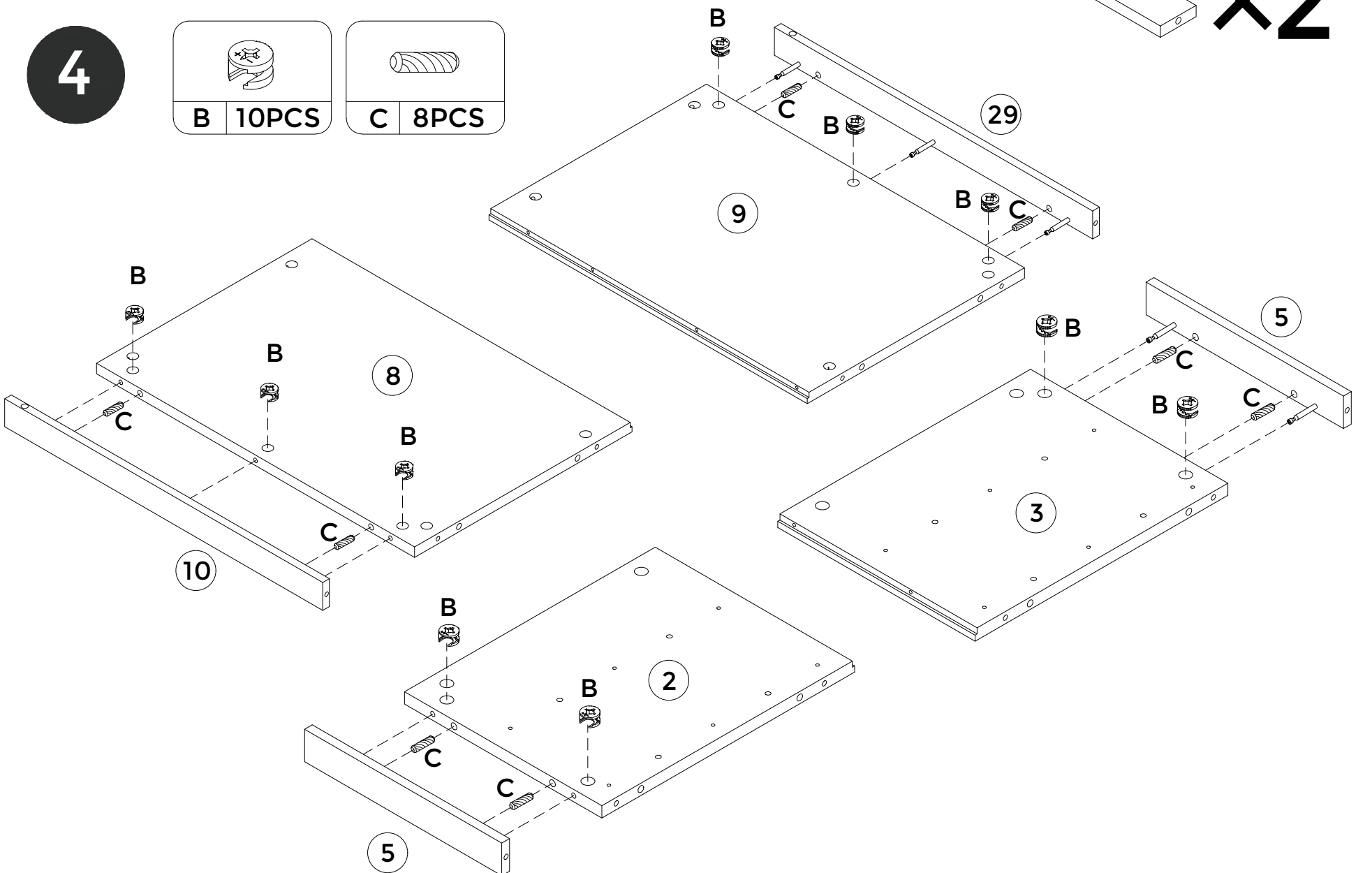
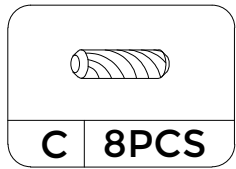
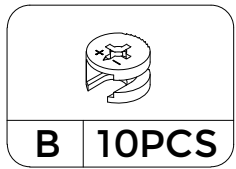


PRODUCT ASSEMBLY

3

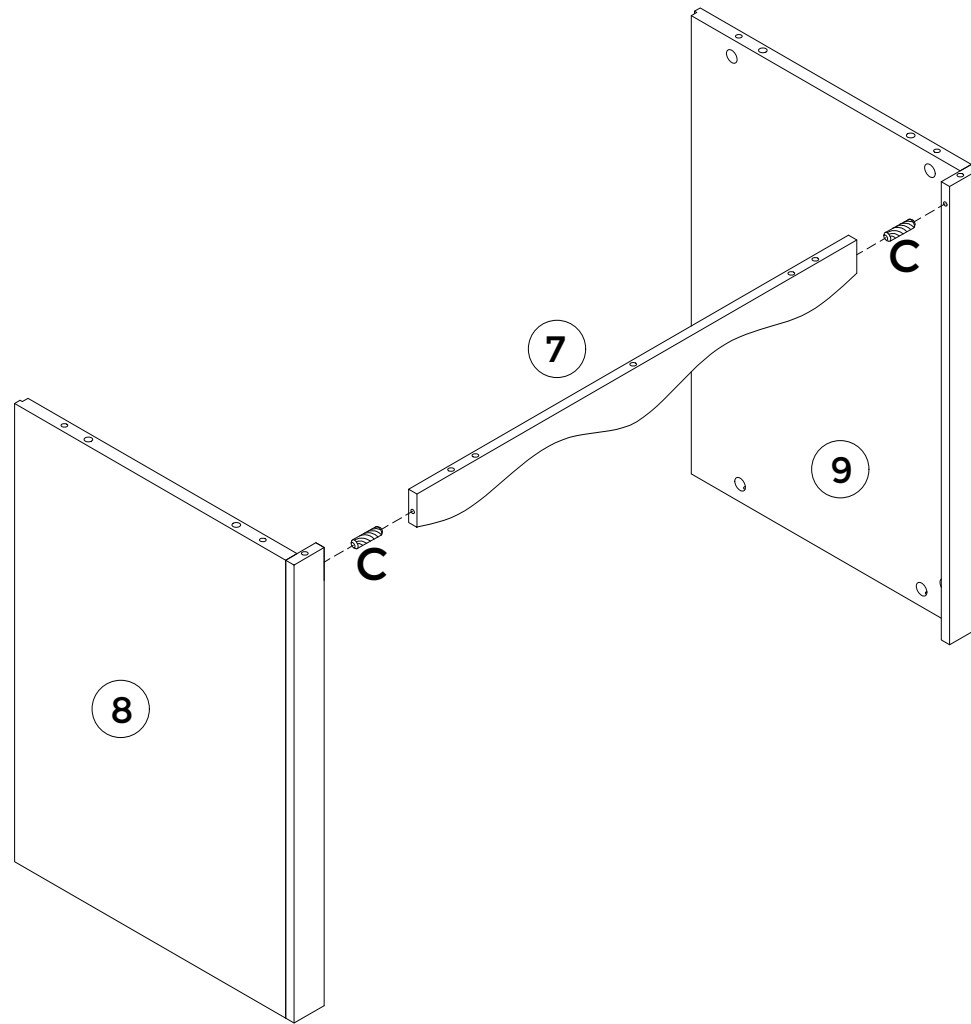
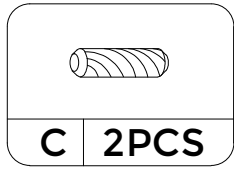


4

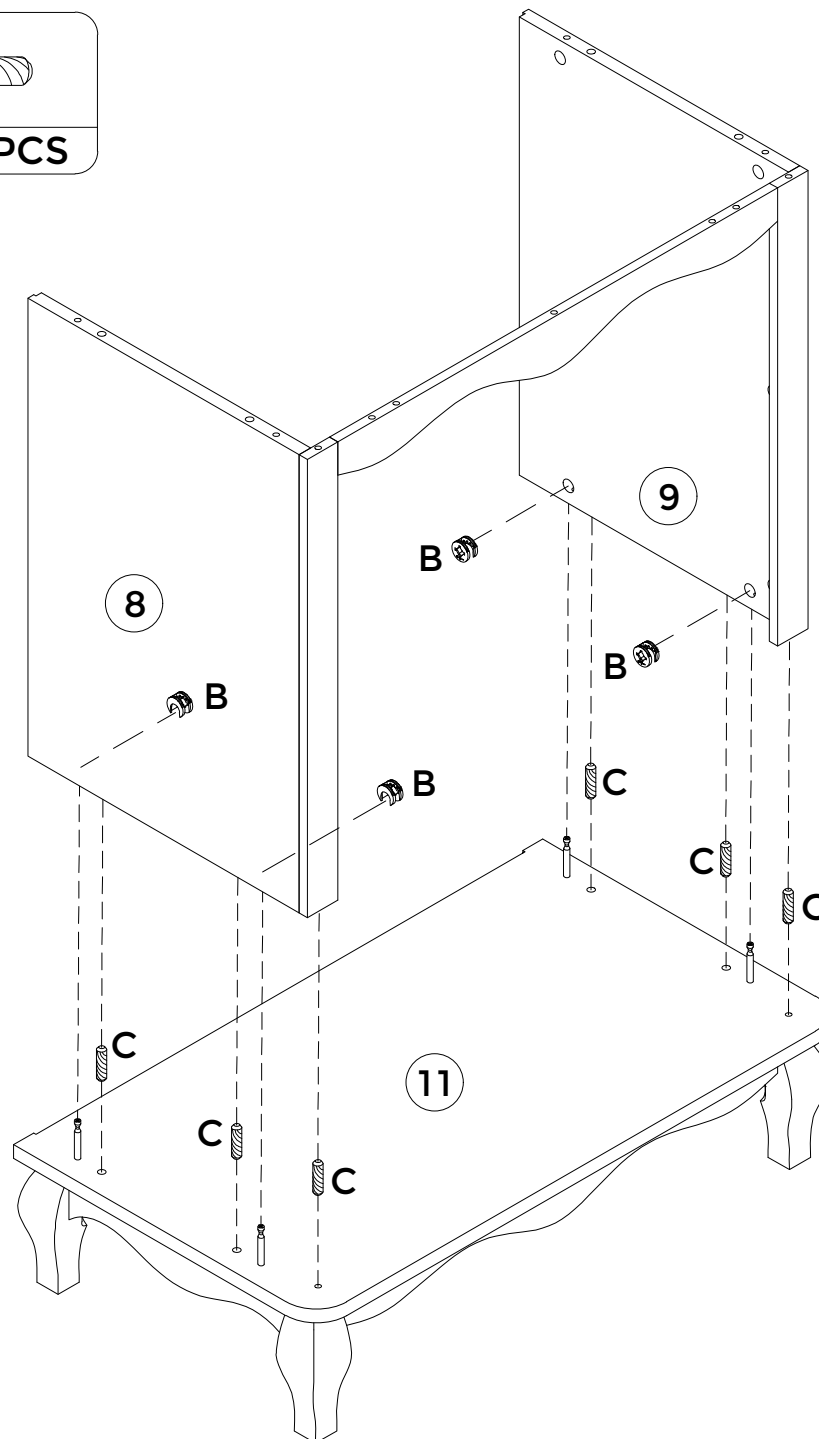
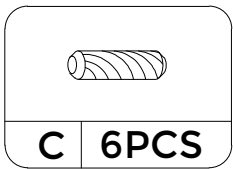
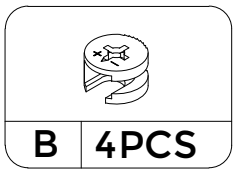


PRODUCT ASSEMBLY

5

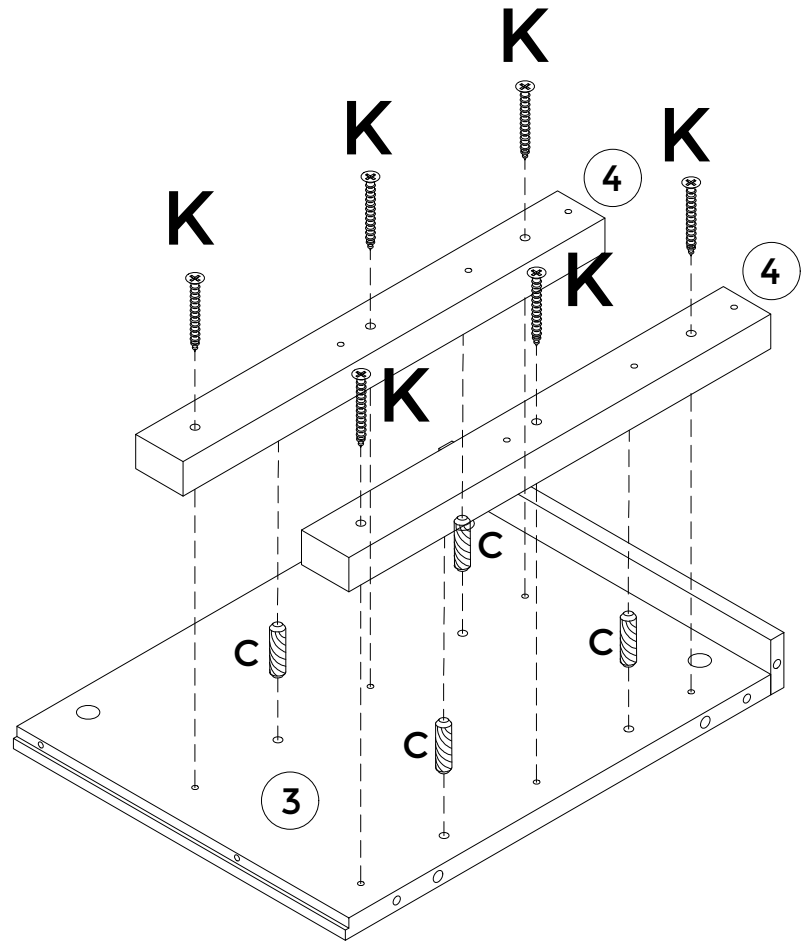
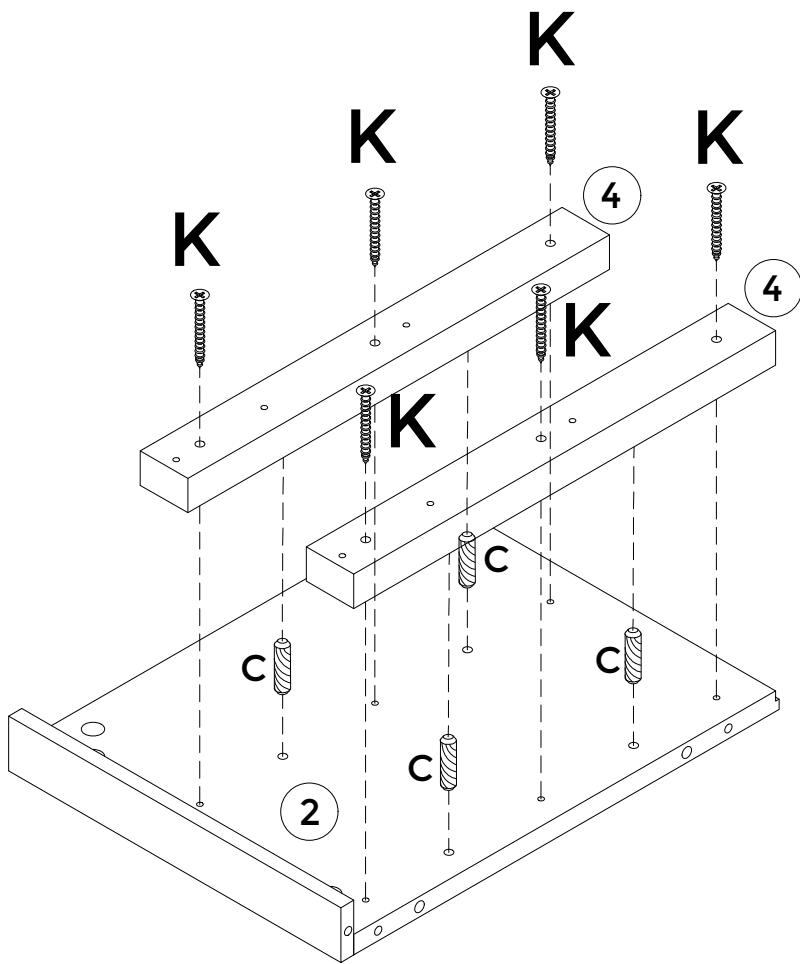
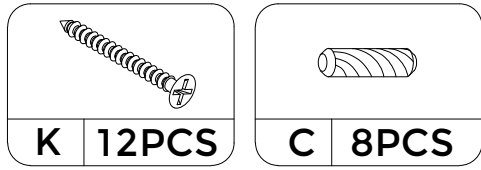


6

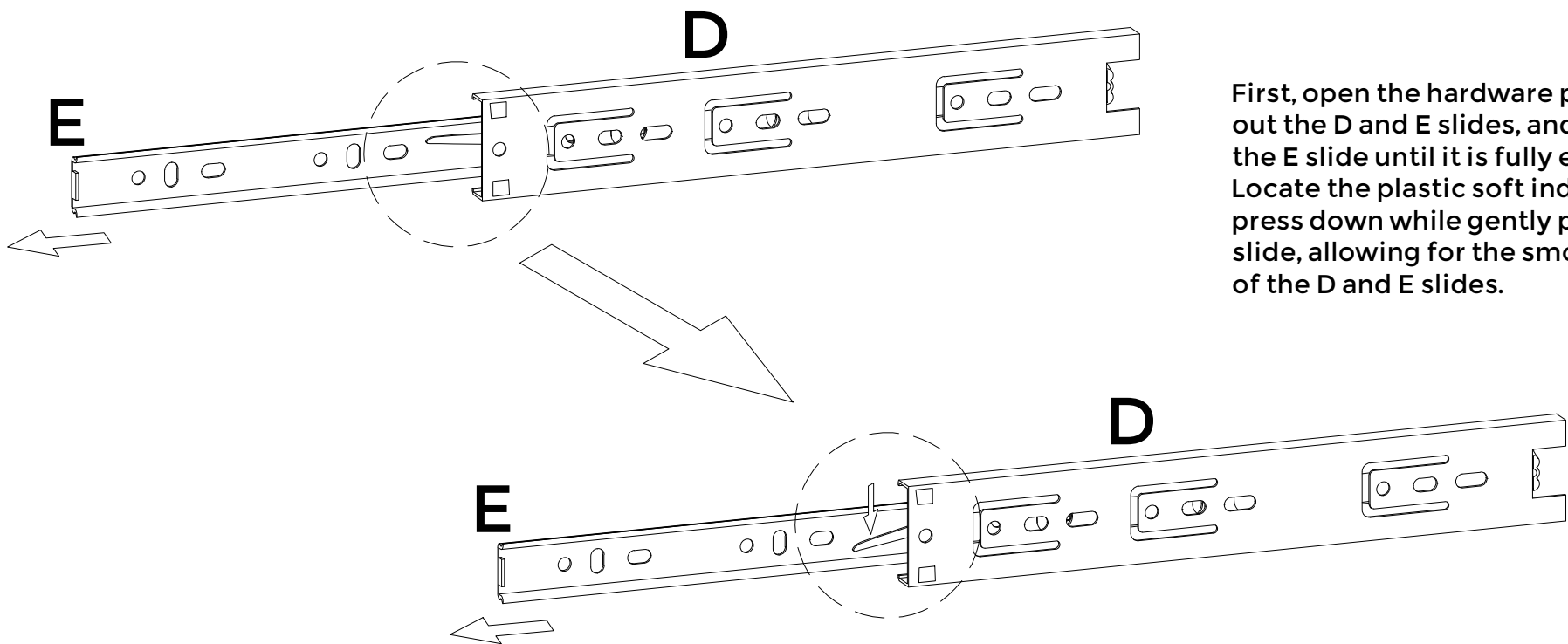
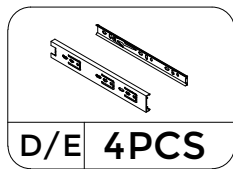


PRODUCT ASSEMBLY

7



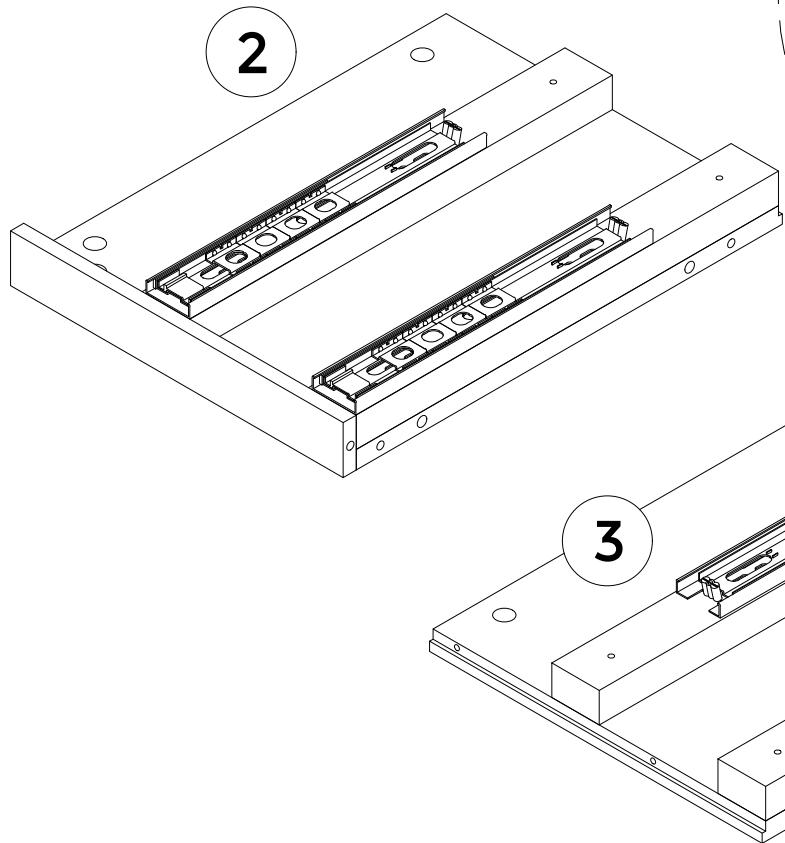
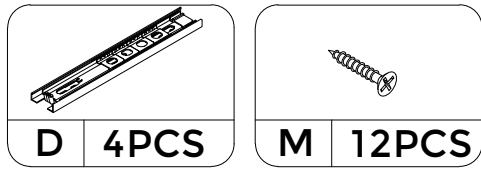
8



First, open the hardware package, take out the D and E slides, and slowly pull out the E slide until it is fully extended. Locate the plastic soft indicator, then press down while gently pulling out the E slide, allowing for the smooth separation of the D and E slides.

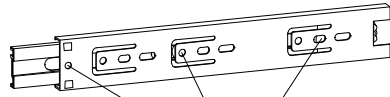
PRODUCT ASSEMBLY

9



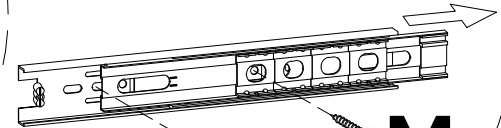
Step 1

The reverse side of slide D



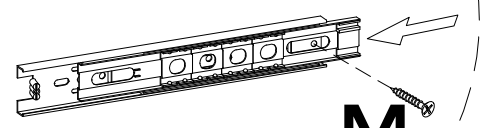
Hole positions for installation

Step 2



D M M

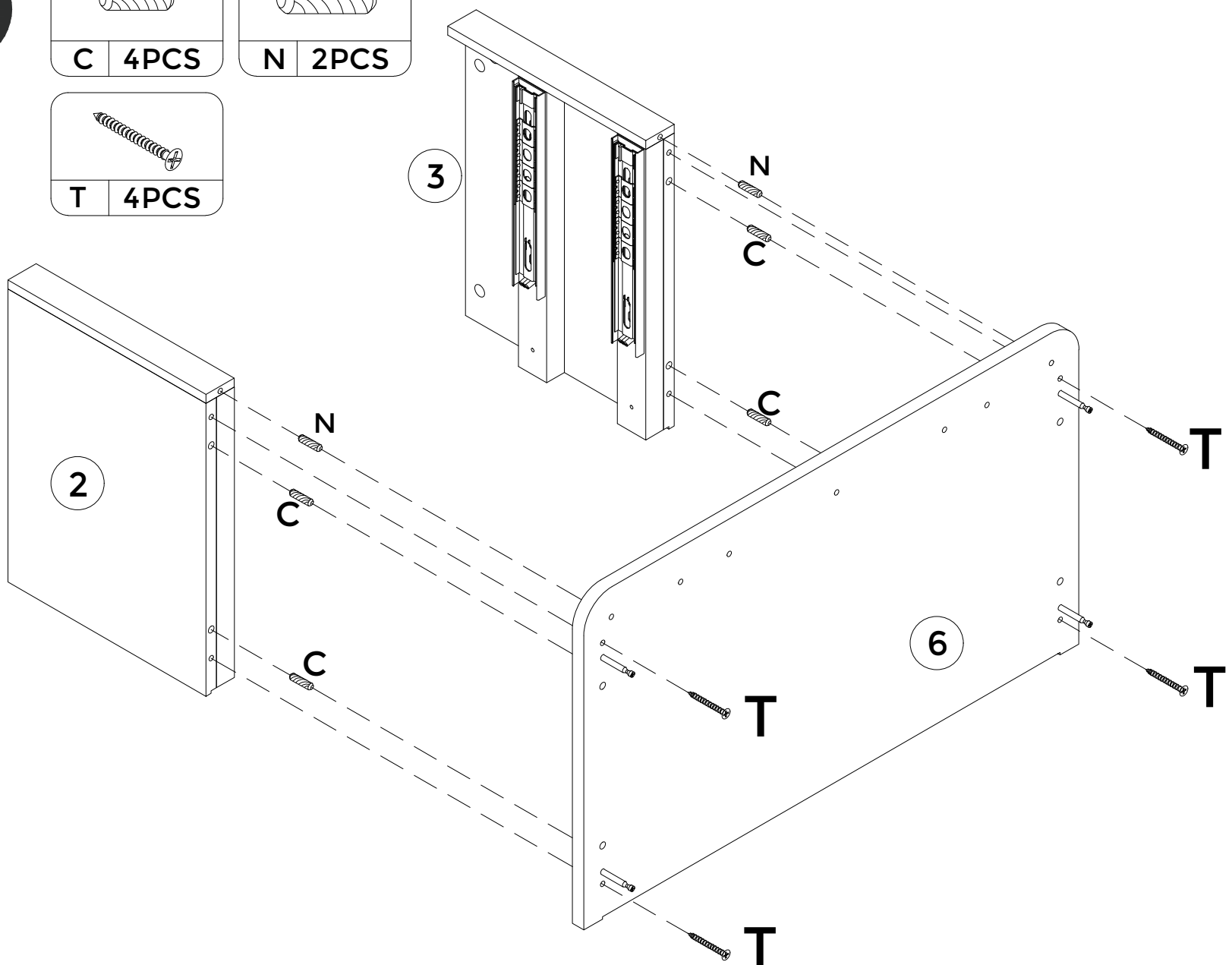
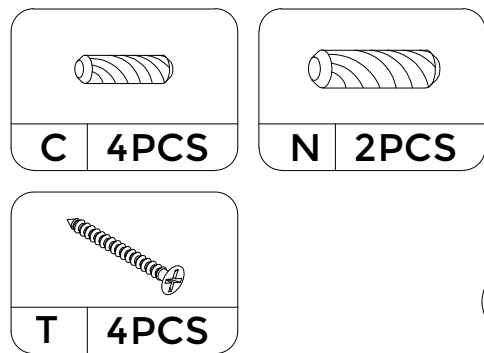
Step 3



D M

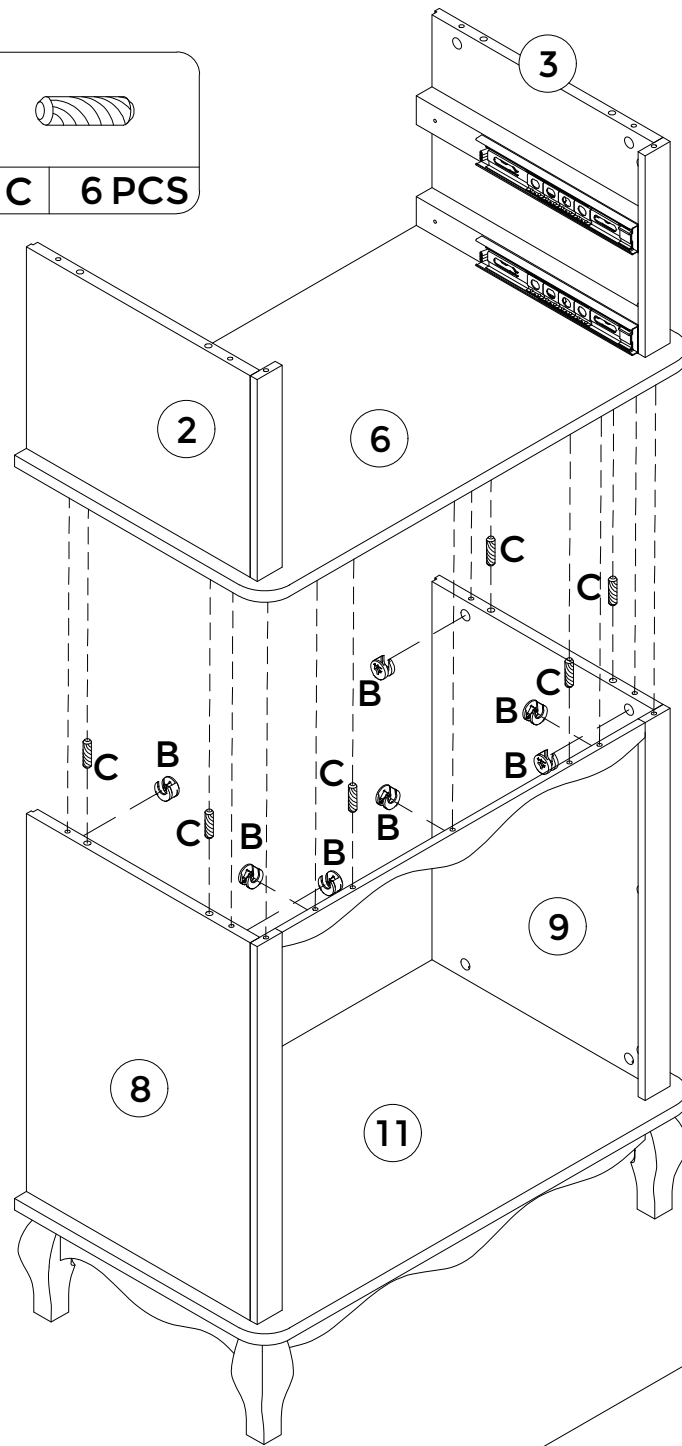
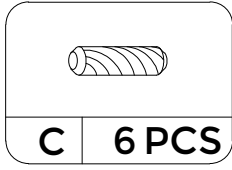
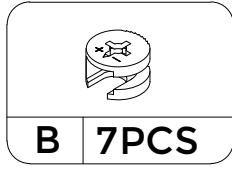
First, observe the hole positions on the back of slide D, then flip it to the front, and slide the middle rail of D to align with the holes. Secure them by tightening with screw M.

10

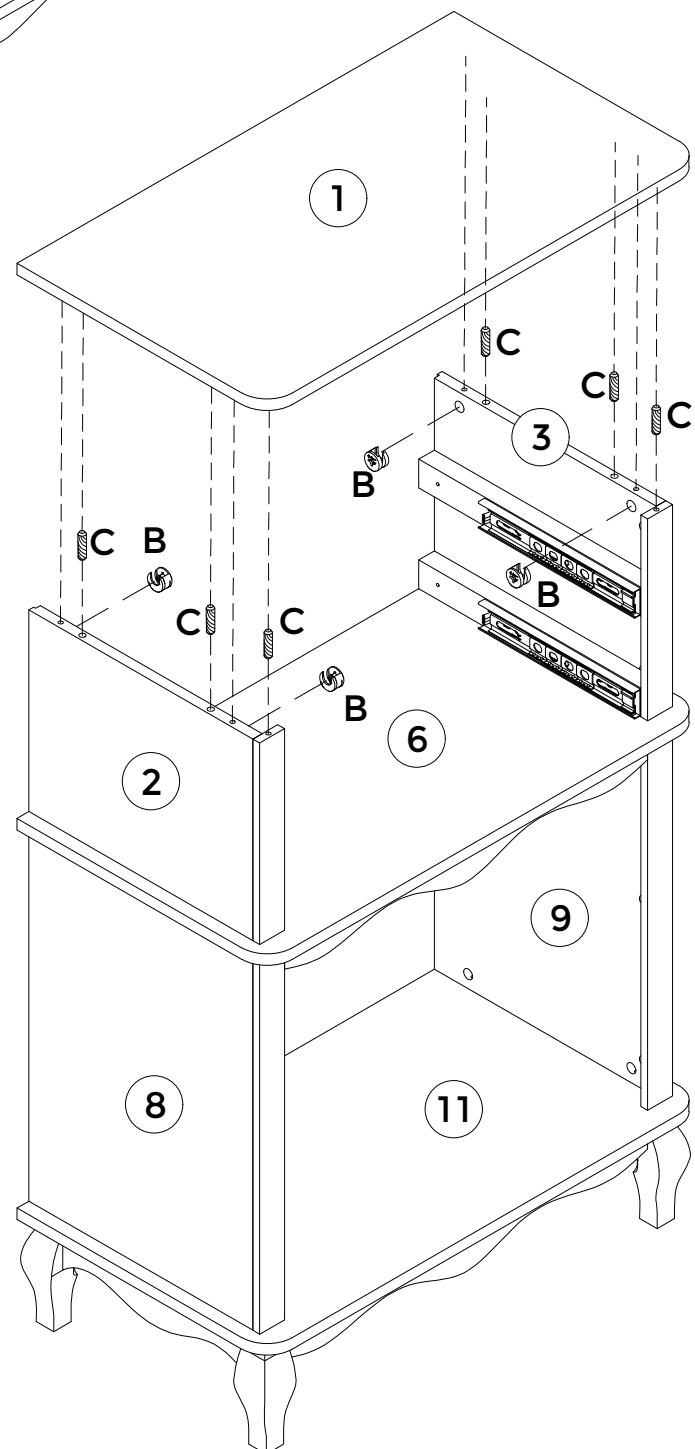
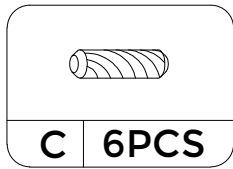
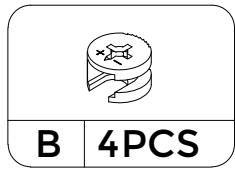


PRODUCT ASSEMBLY

11

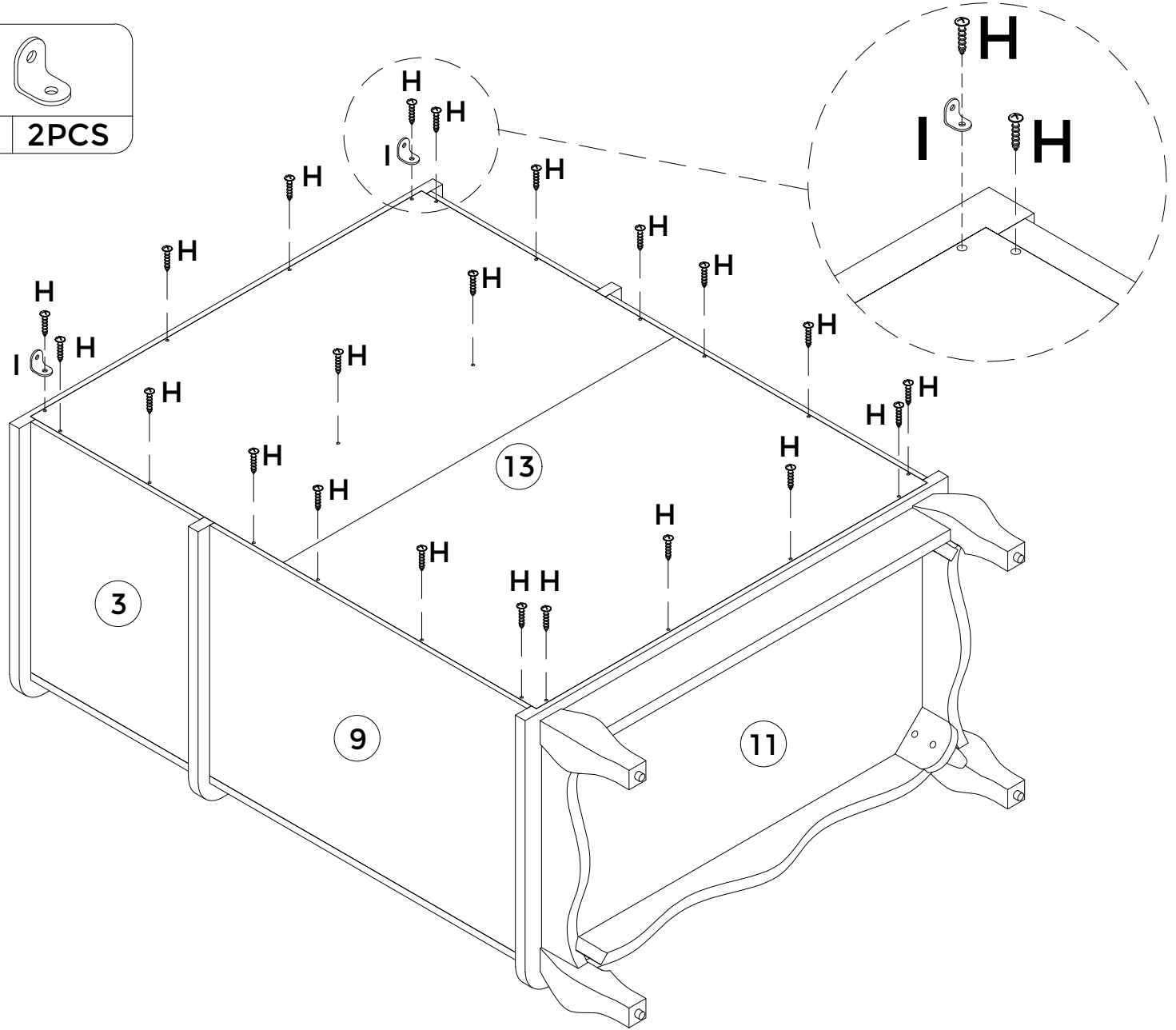
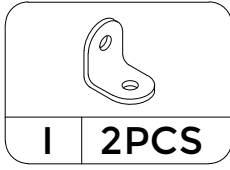
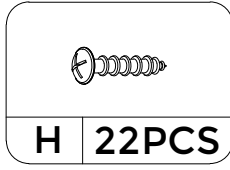


12

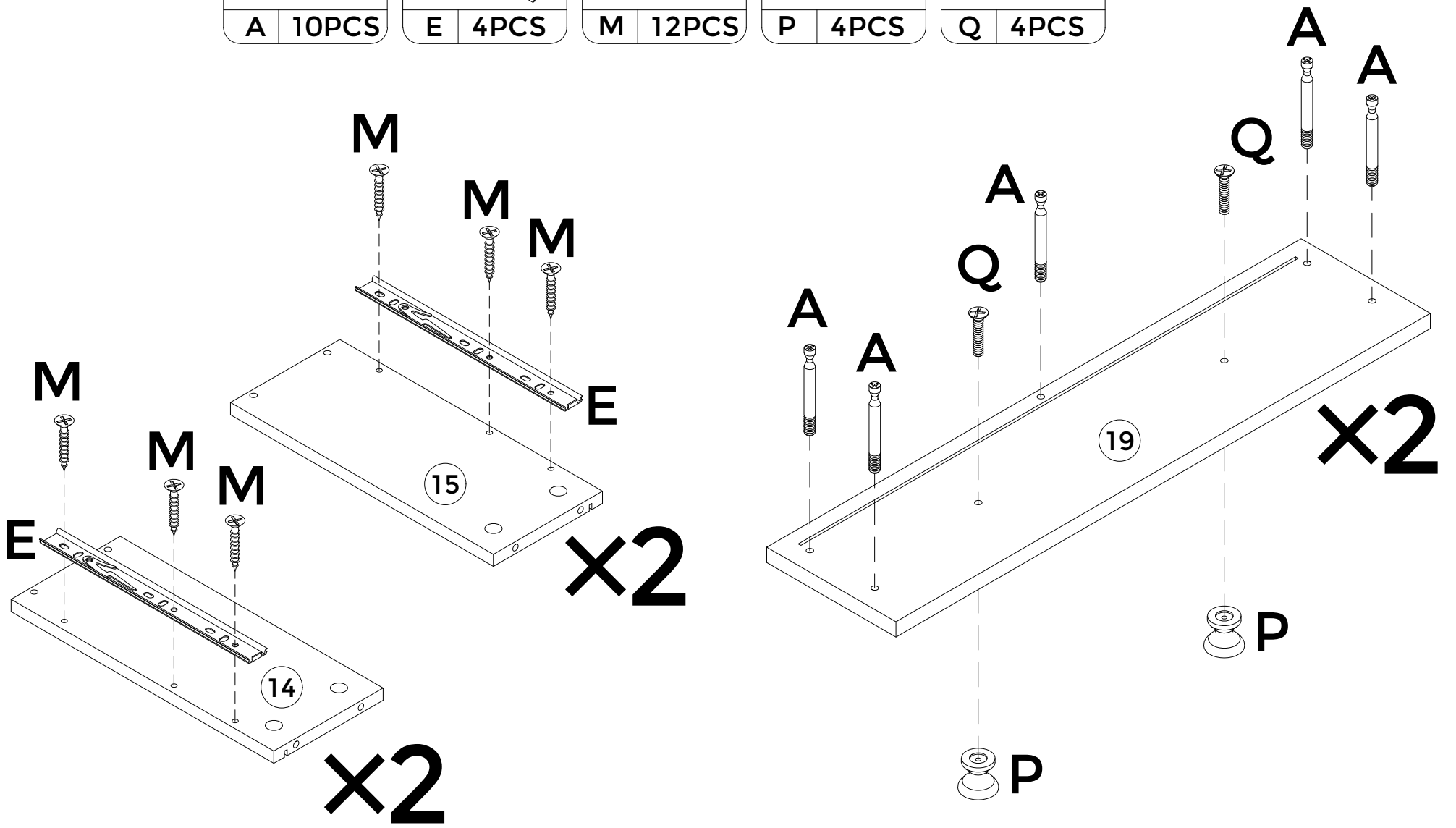
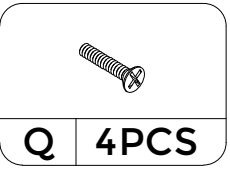
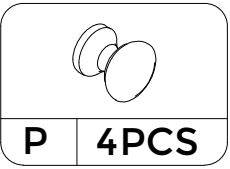
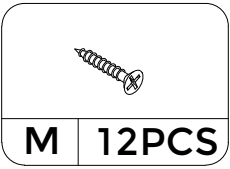
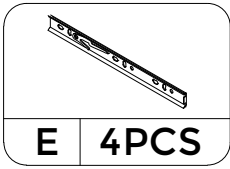
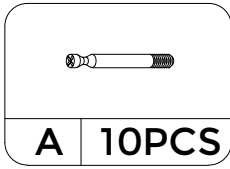


PRODUCT ASSEMBLY

13

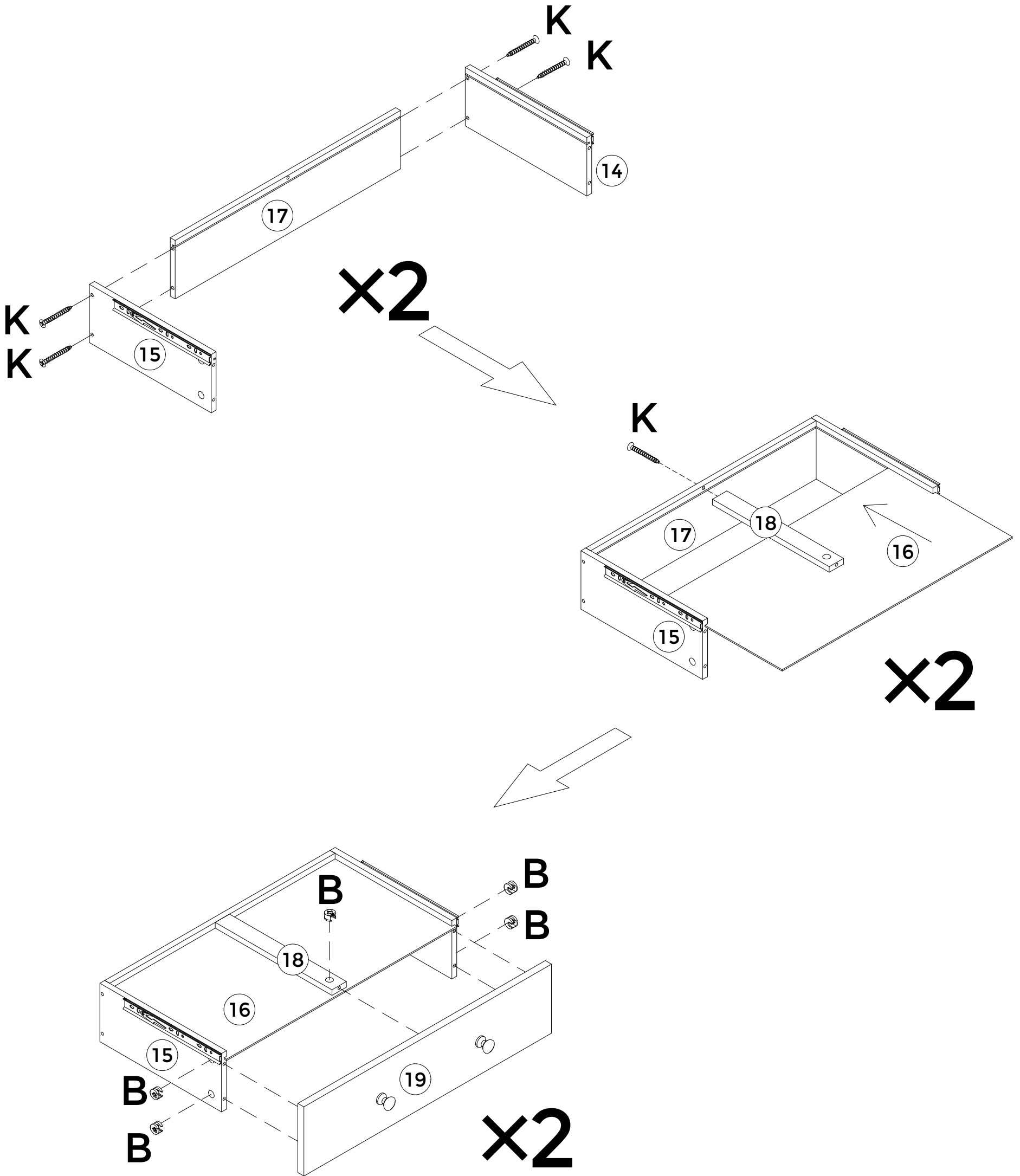
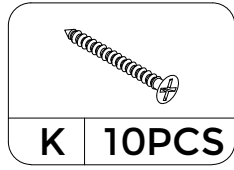


14



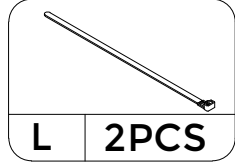
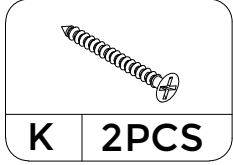
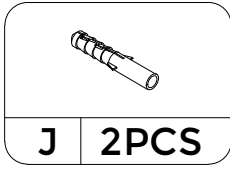
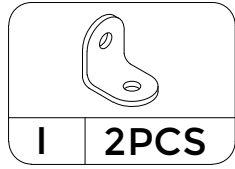
PRODUCT ASSEMBLY

15

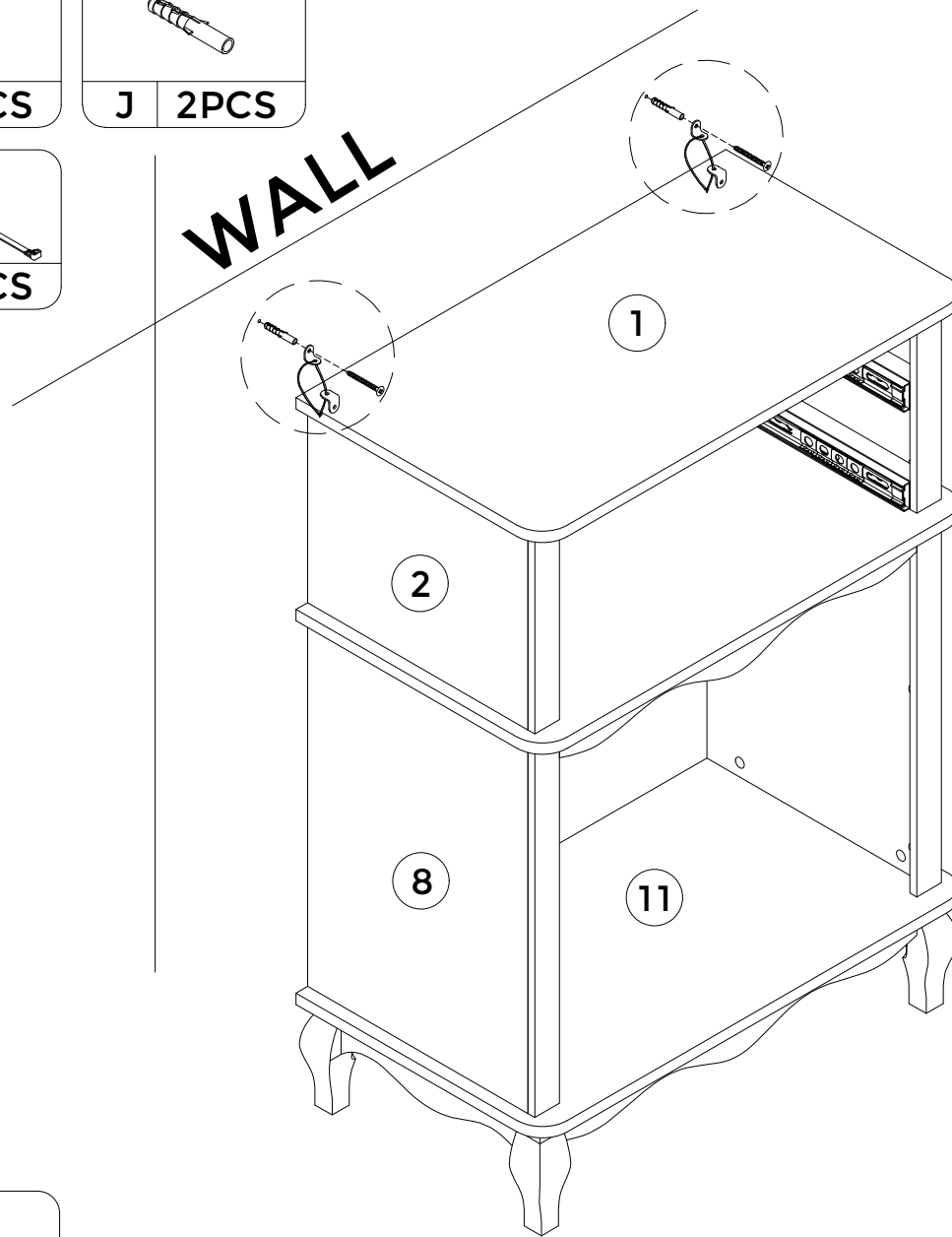


PRODUCT ASSEMBLY

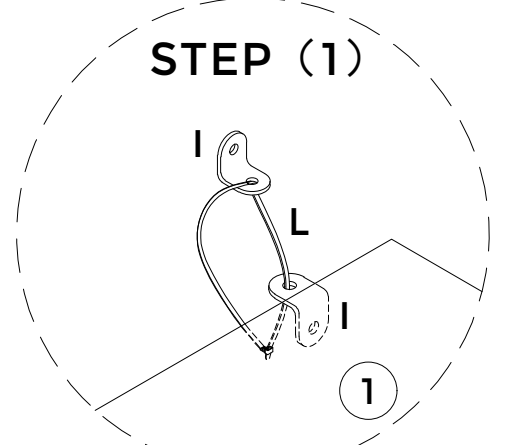
16



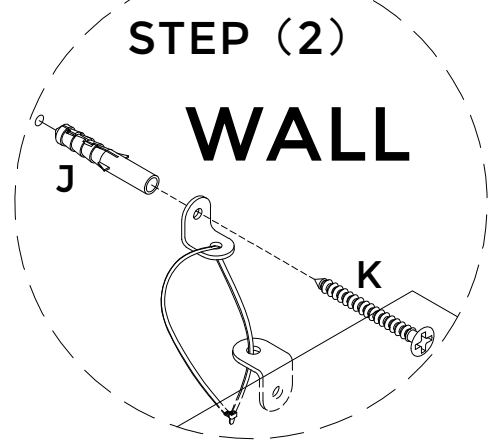
WALL



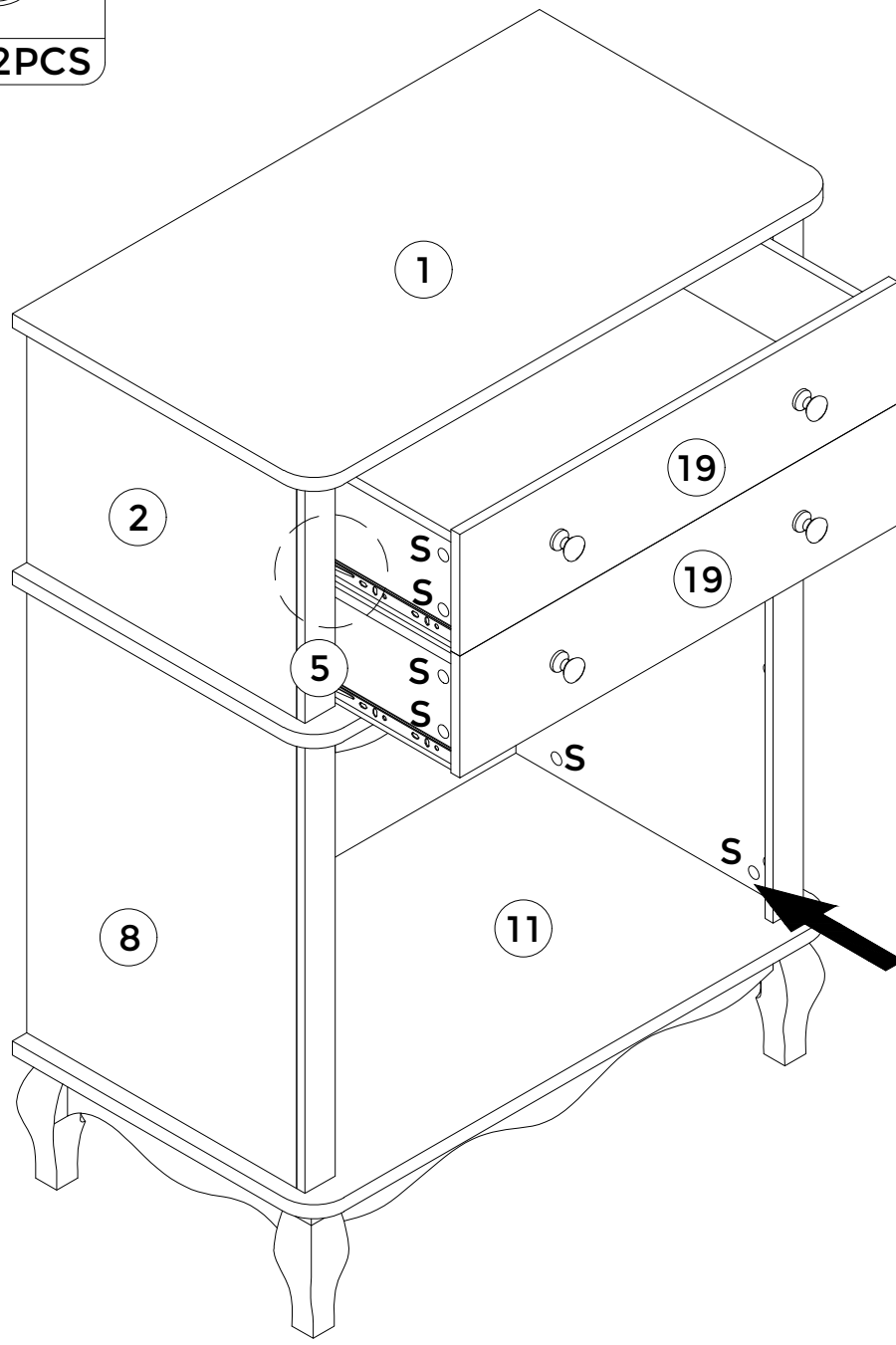
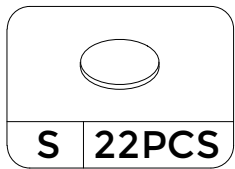
STEP (1)



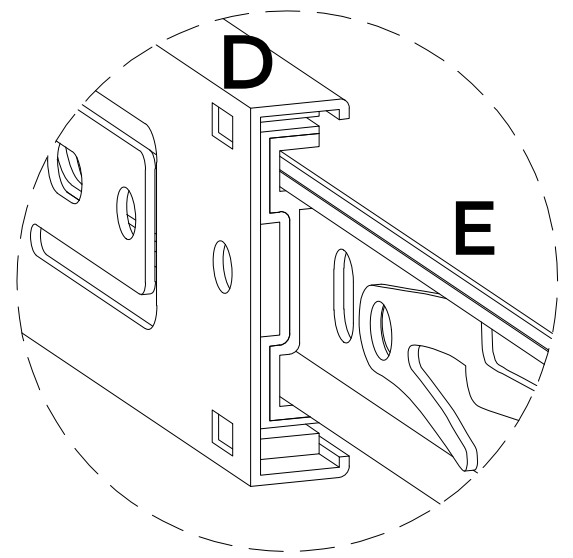
STEP (2)



17



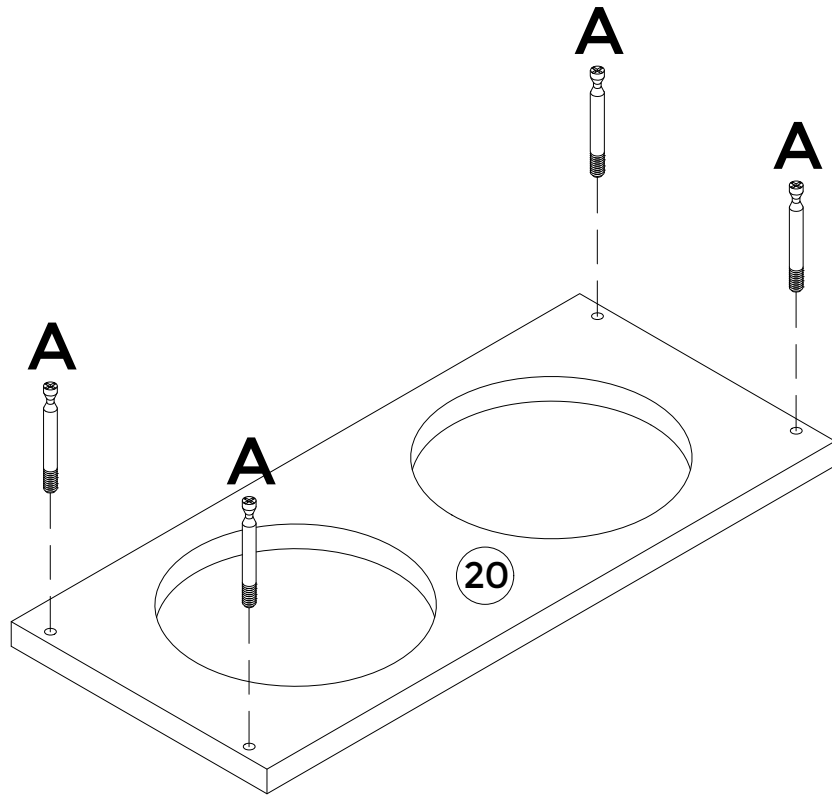
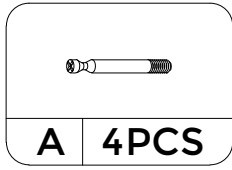
Align the D with E slide, push slowly until the drawer panel is parallel to ⑤.



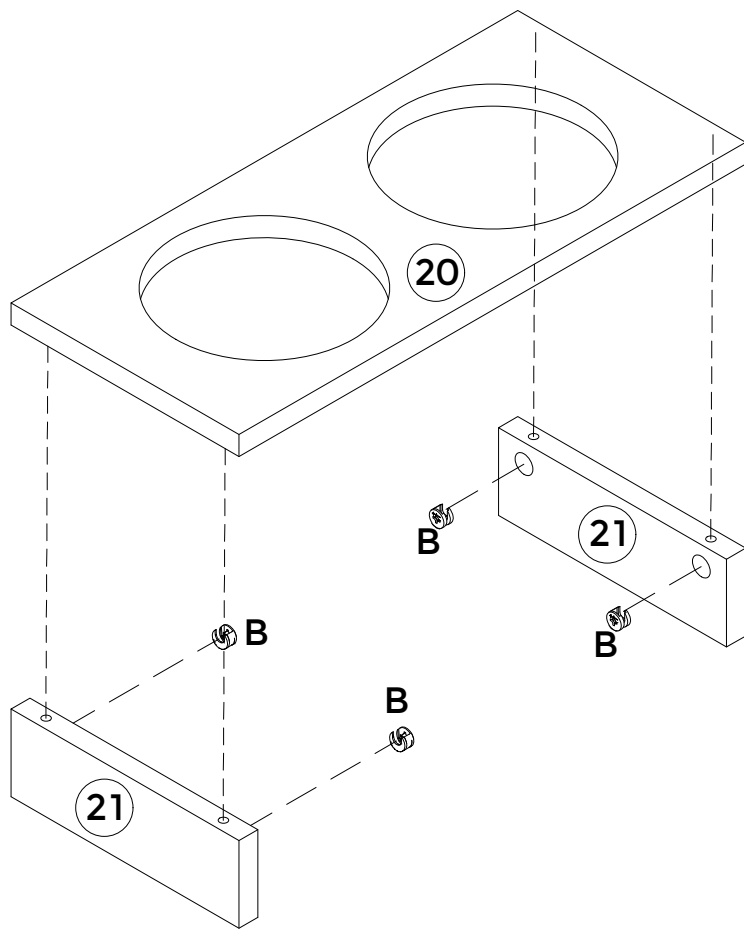
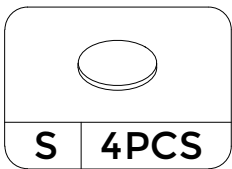
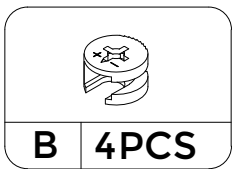
After installation, you can affix hole sticker S to cover the Cam Lock Nuts on panels ⑧ and ⑨.

PRODUCT ASSEMBLY

18



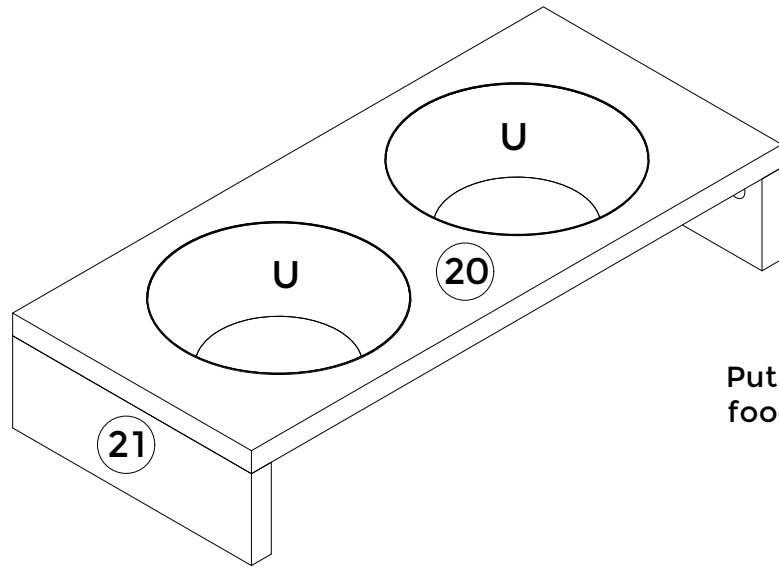
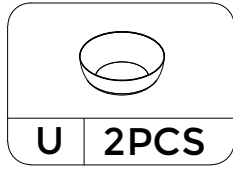
19



After installation, you can affix hole sticker S to cover the Cam Lock Nuts on panels 21.

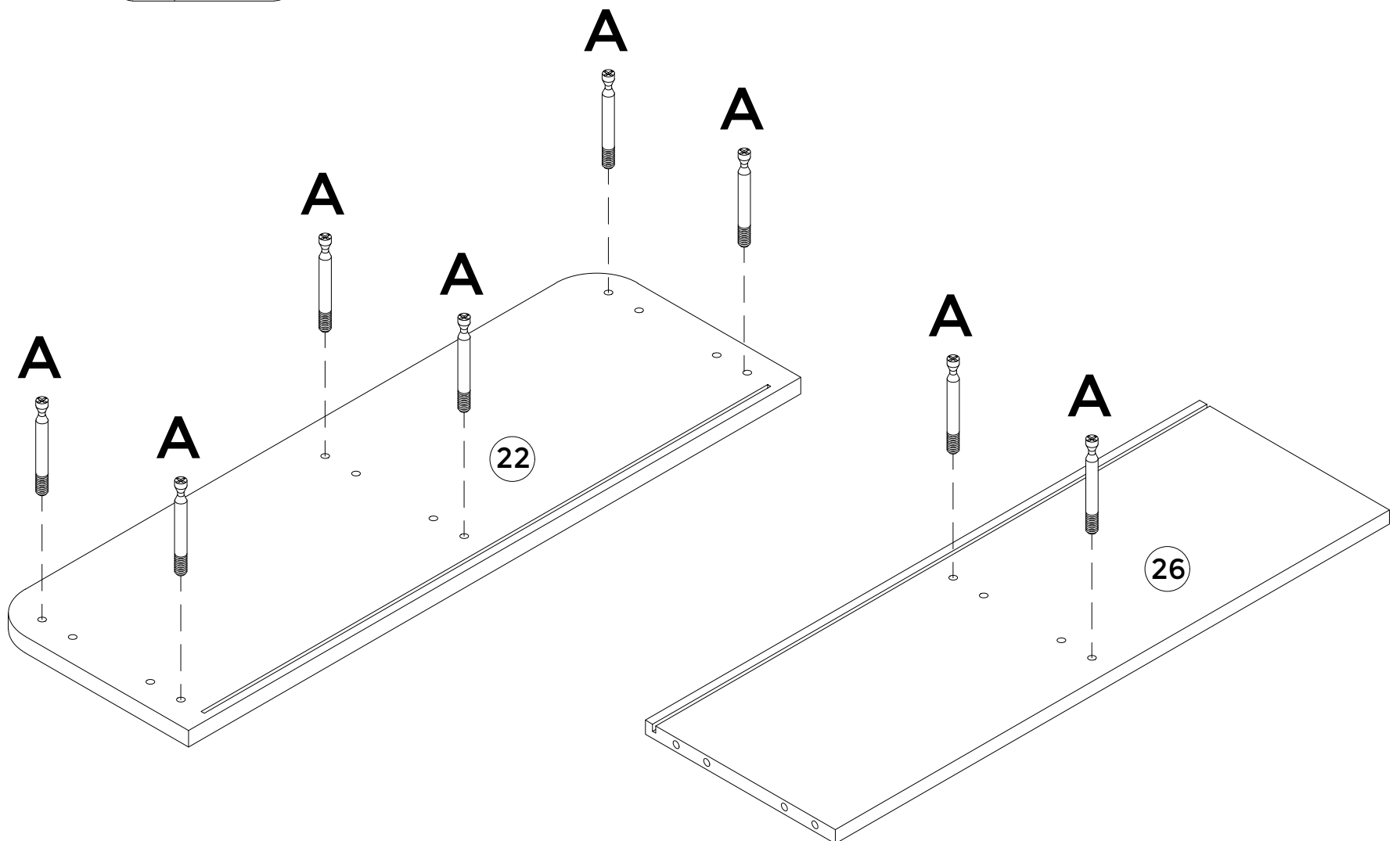
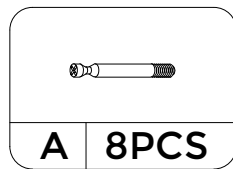
PRODUCT ASSEMBLY

20



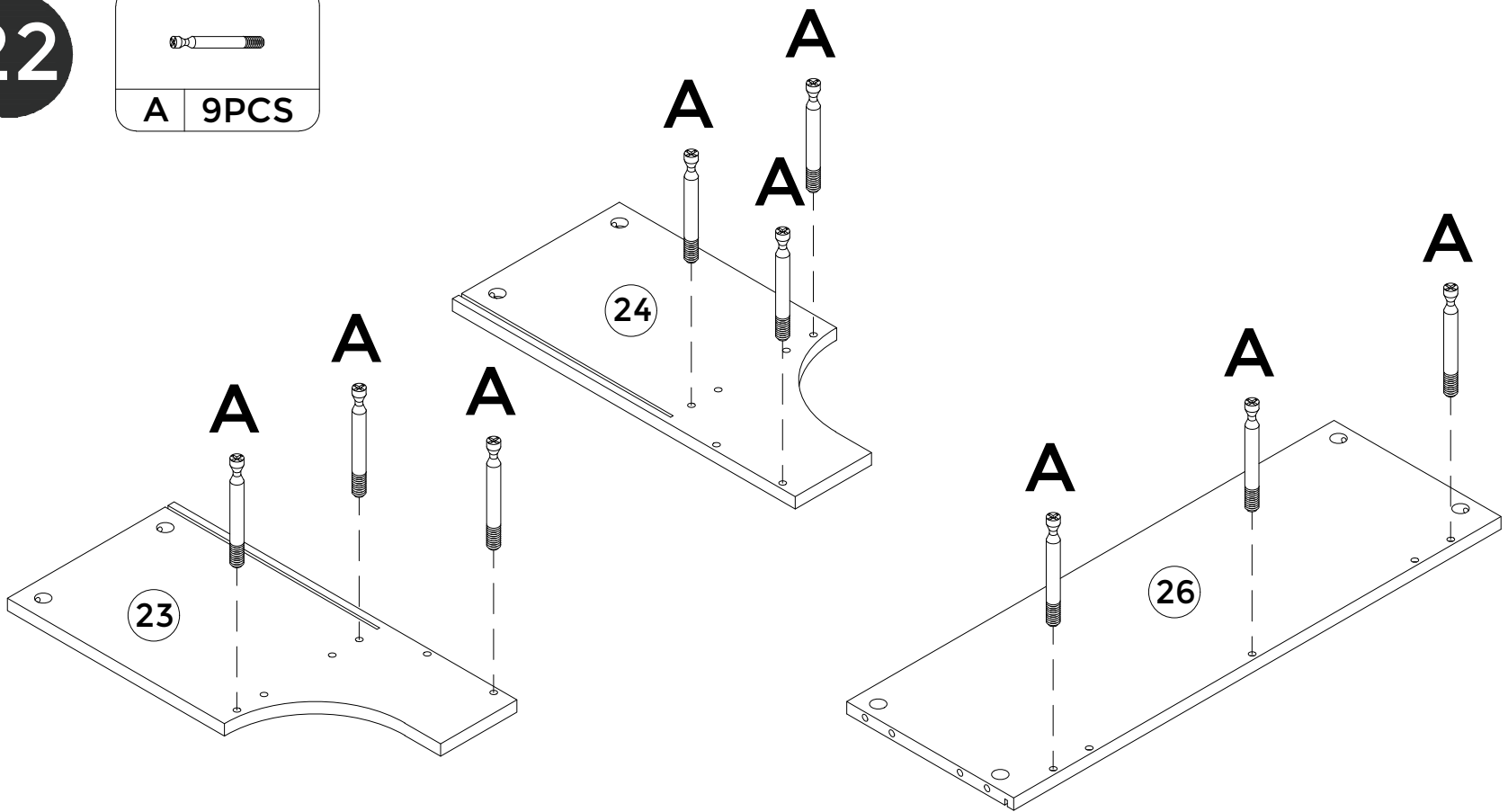
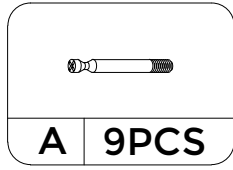
Put the iron bowl in so that a simple pet food bowl is complete.

21

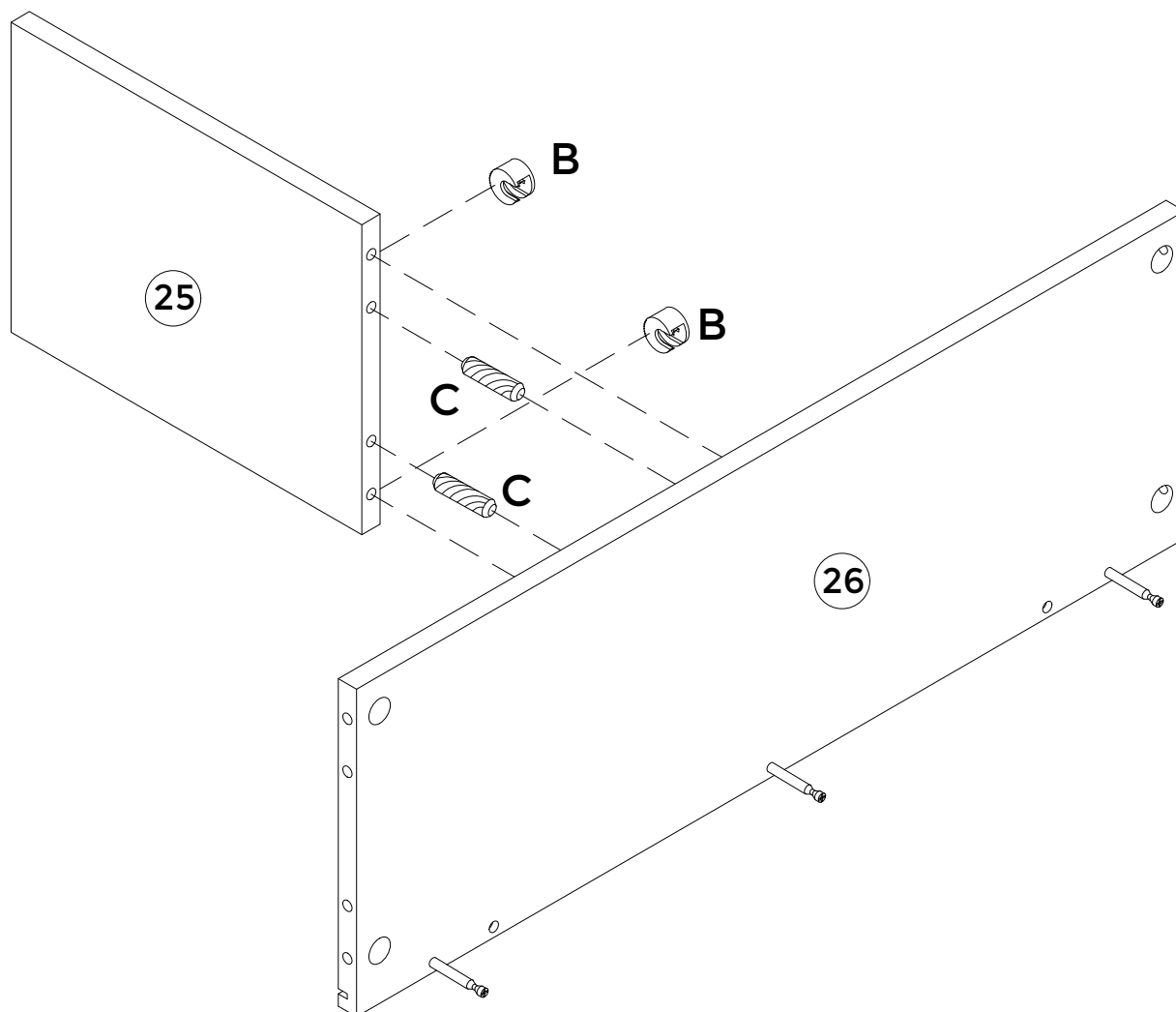
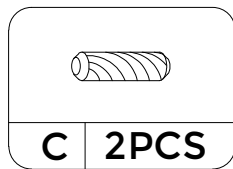
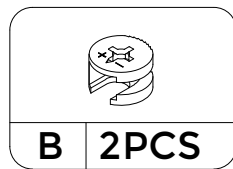


PRODUCT ASSEMBLY

22

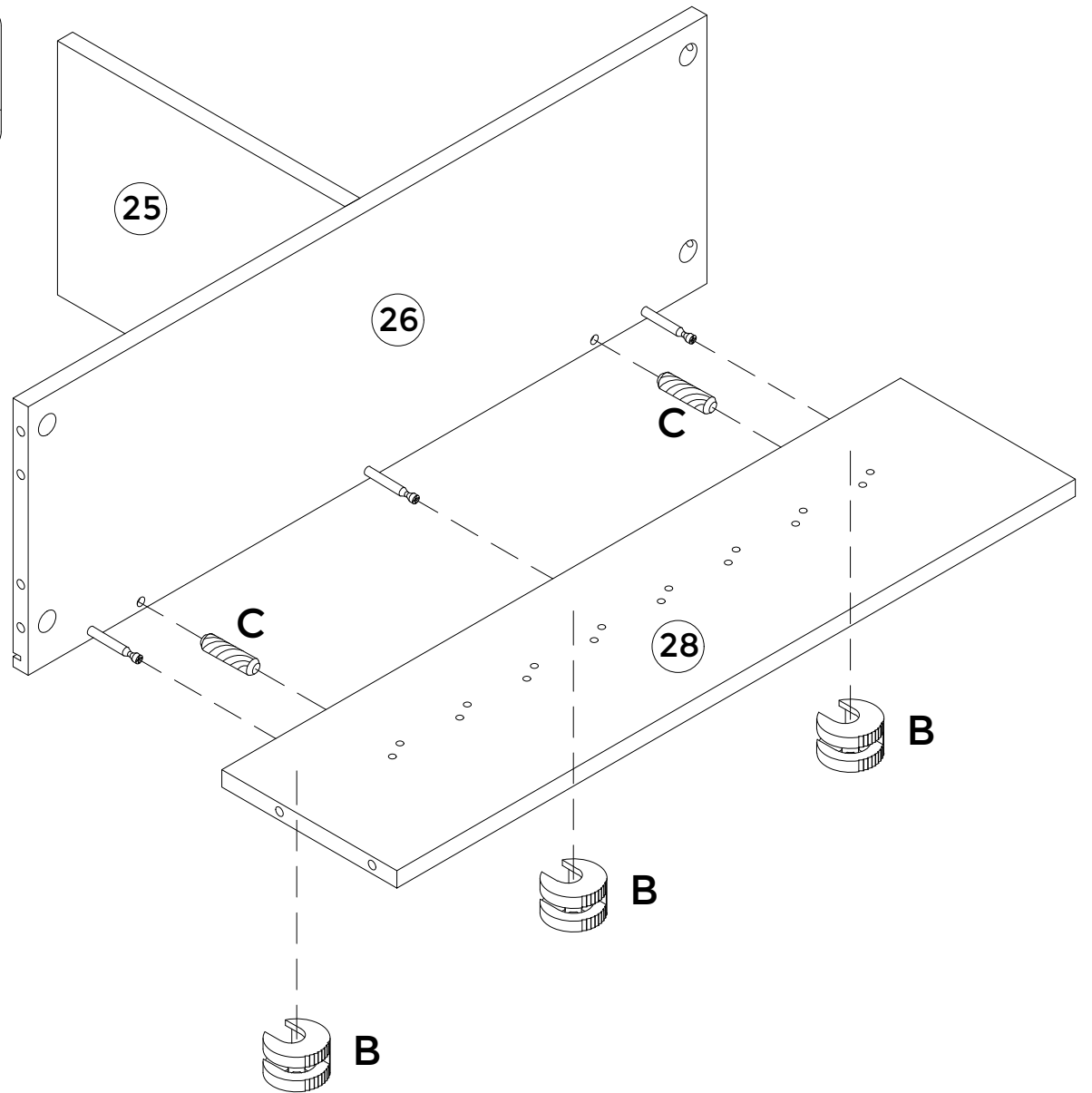
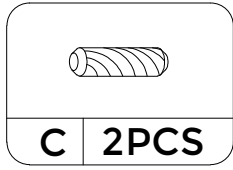
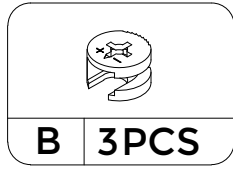


23

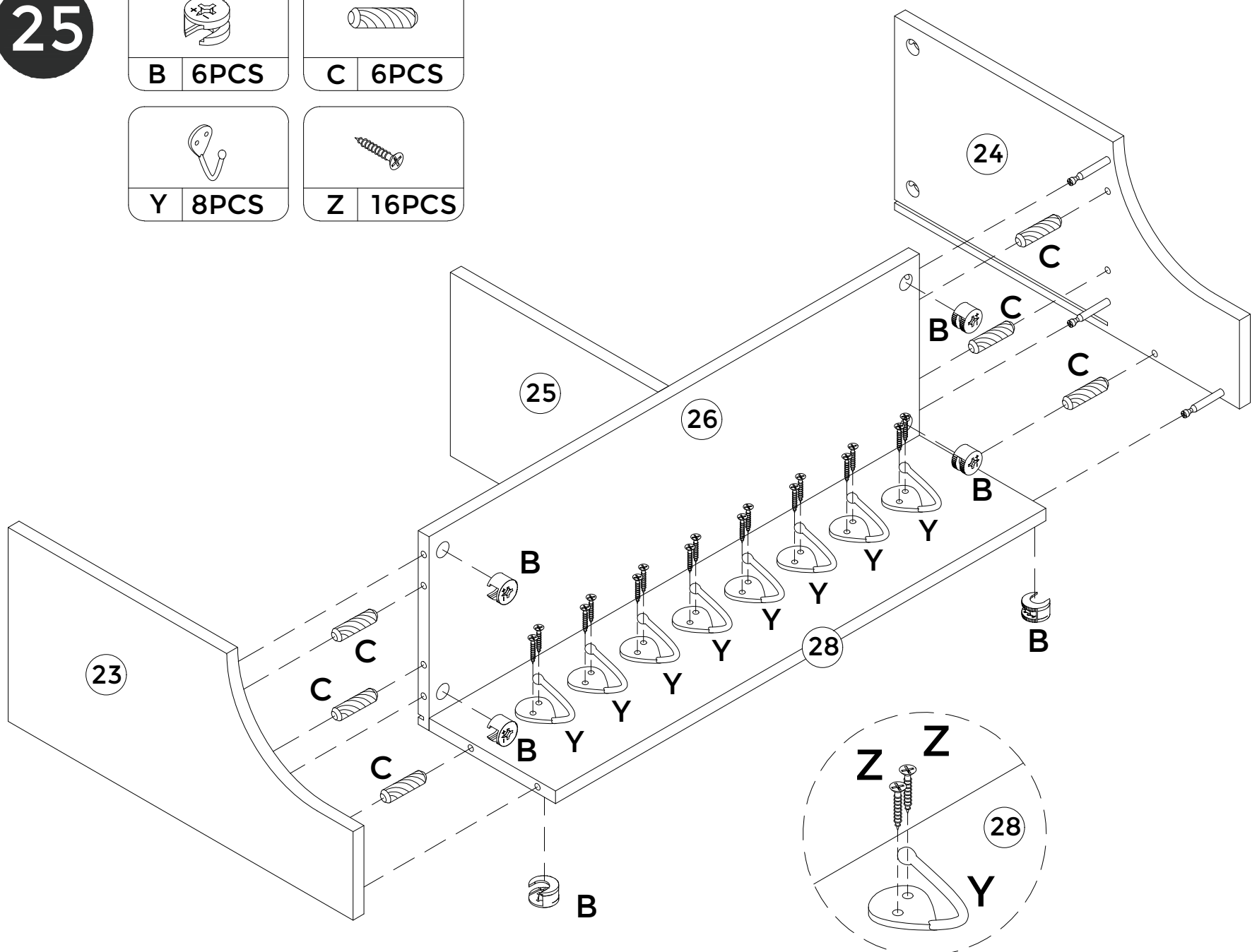
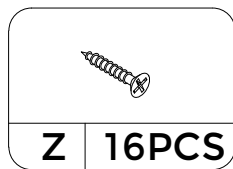
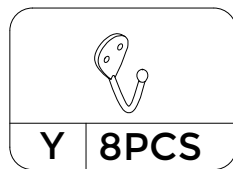
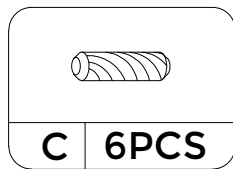
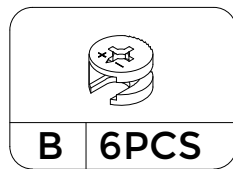


PRODUCT ASSEMBLY

24

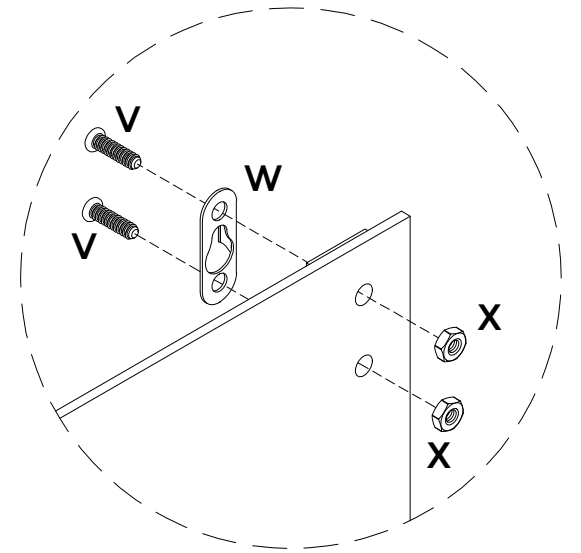
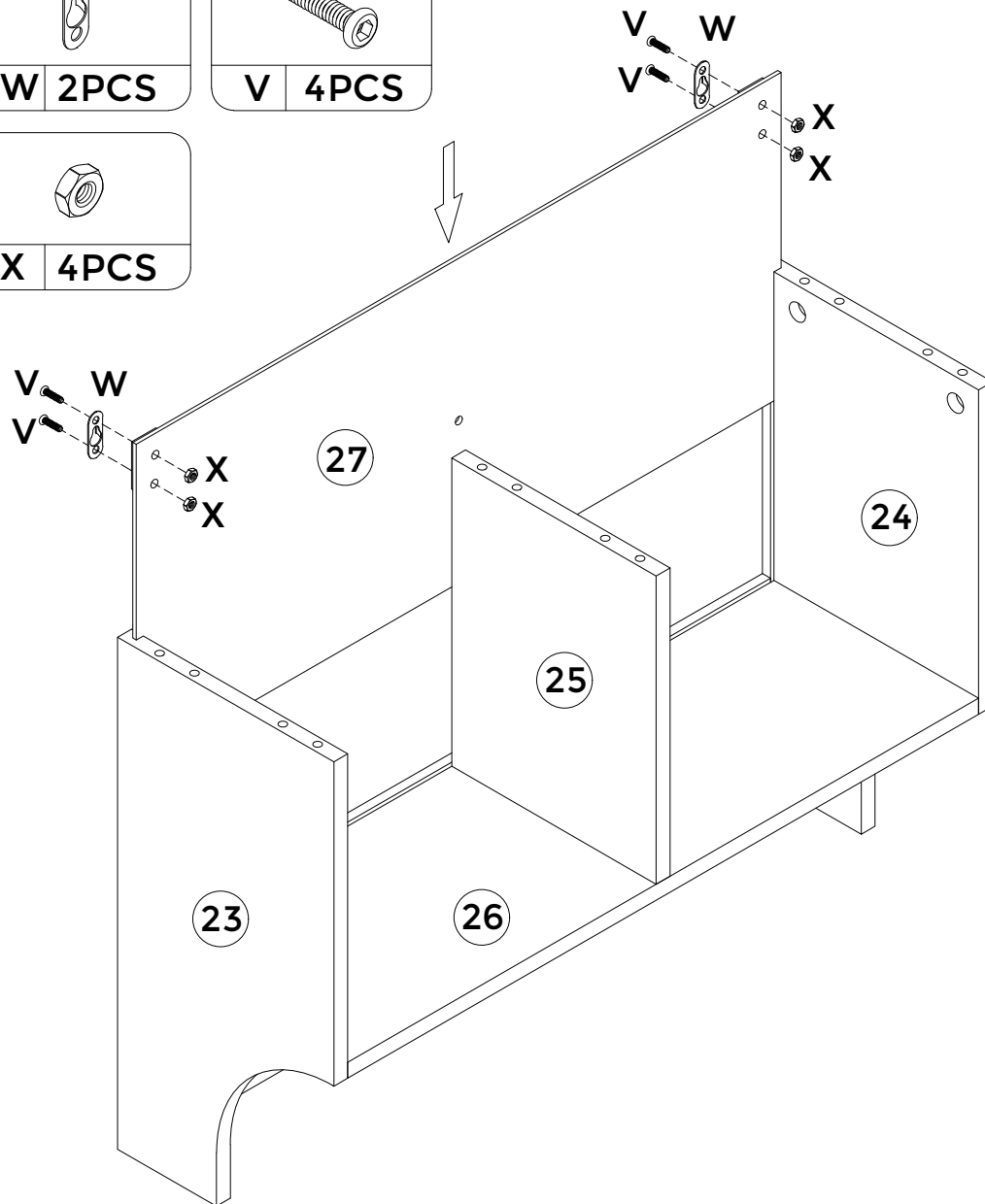
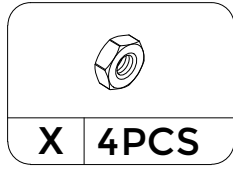
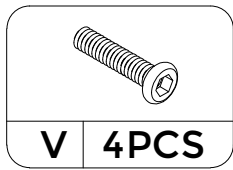
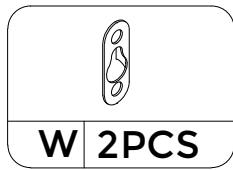


25

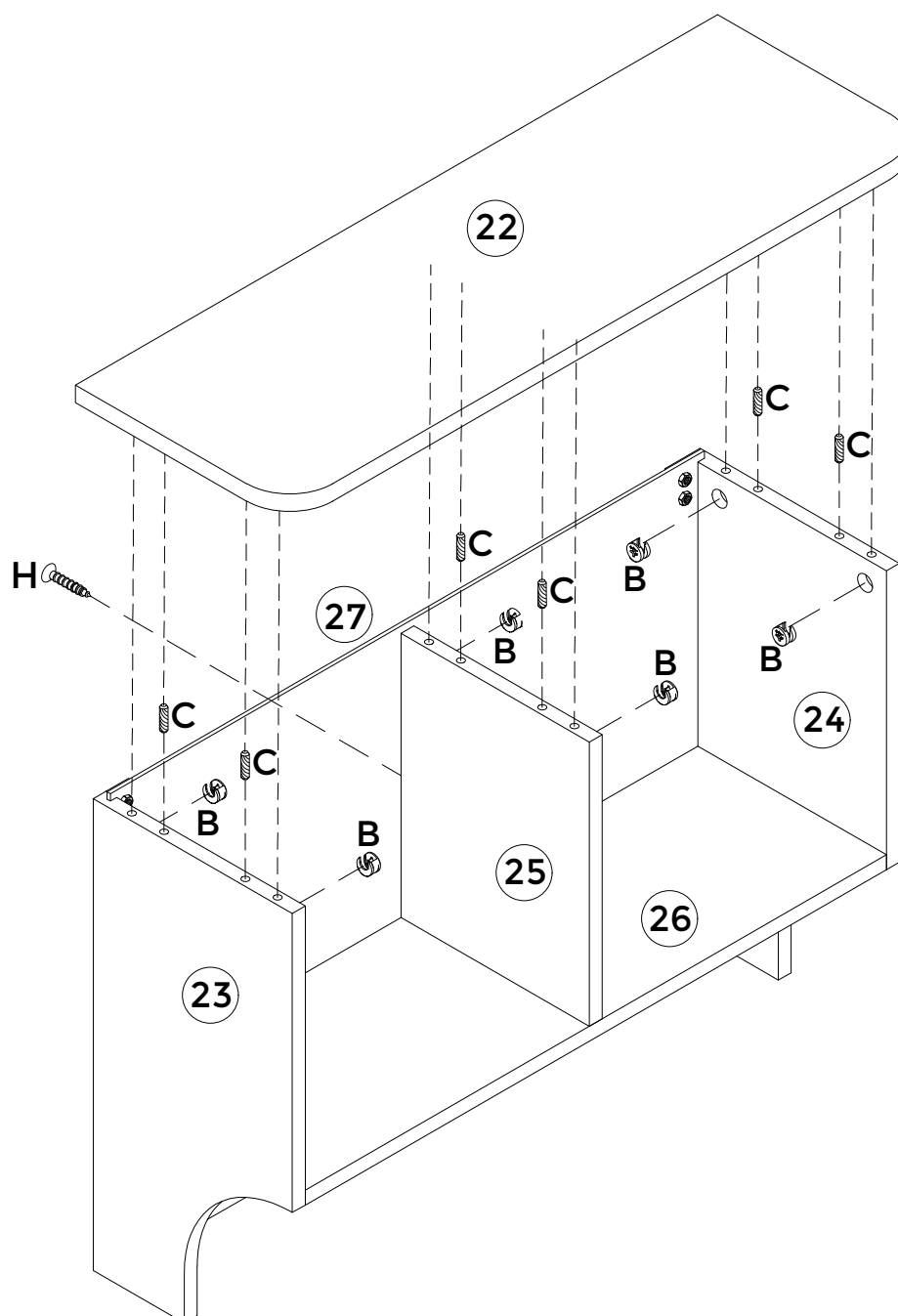
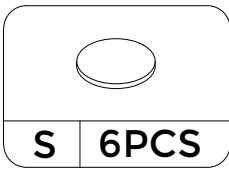
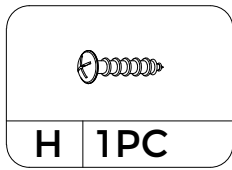
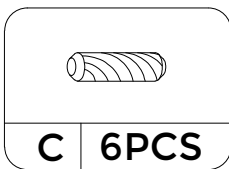
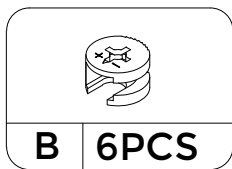


PRODUCT ASSEMBLY

26



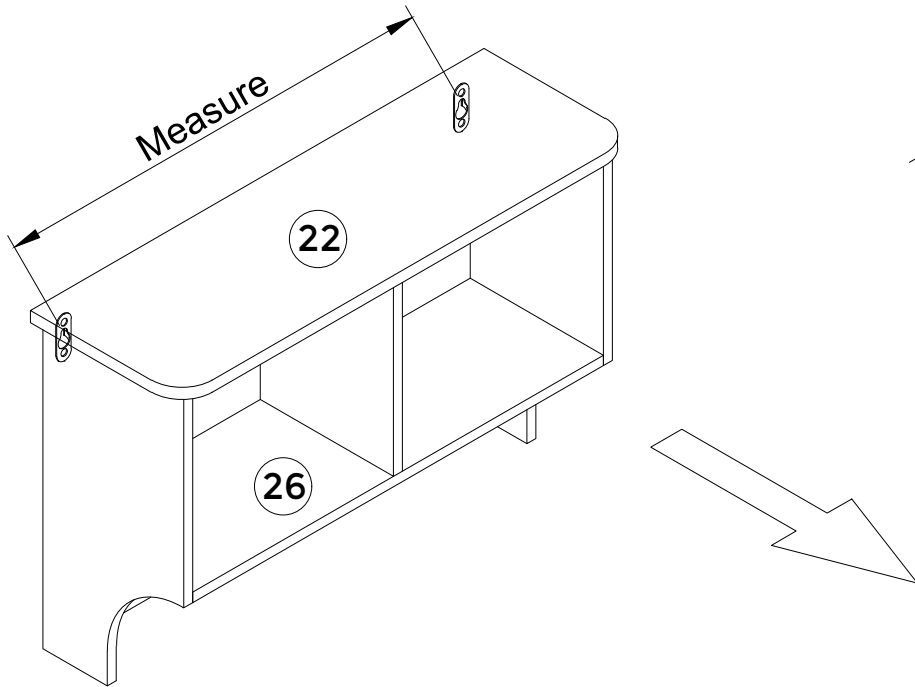
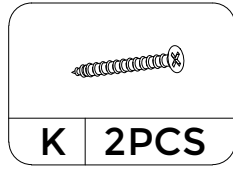
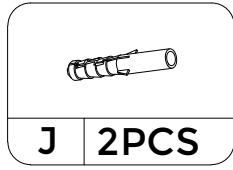
27



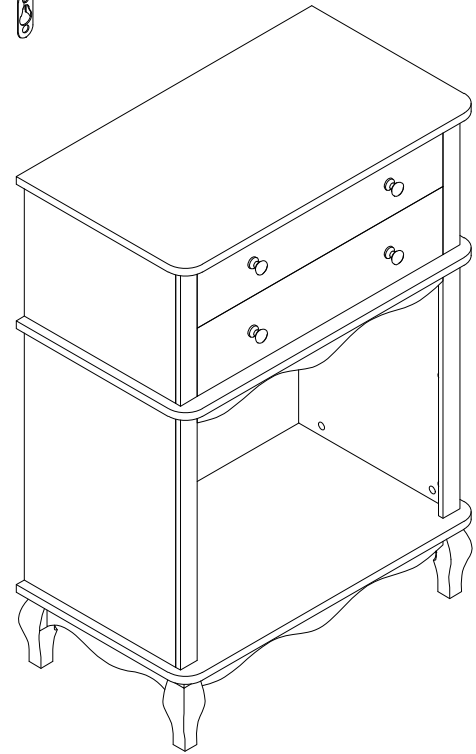
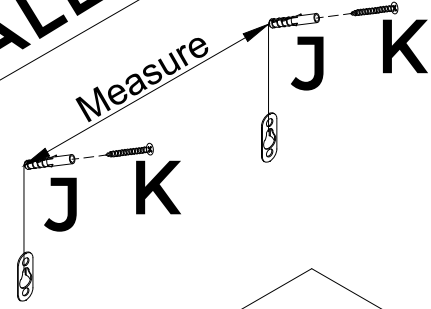
After installation, you can affix hole sticker S to cover the Cam Lock Nuts on panels 23 and 24.

PRODUCT ASSEMBLY

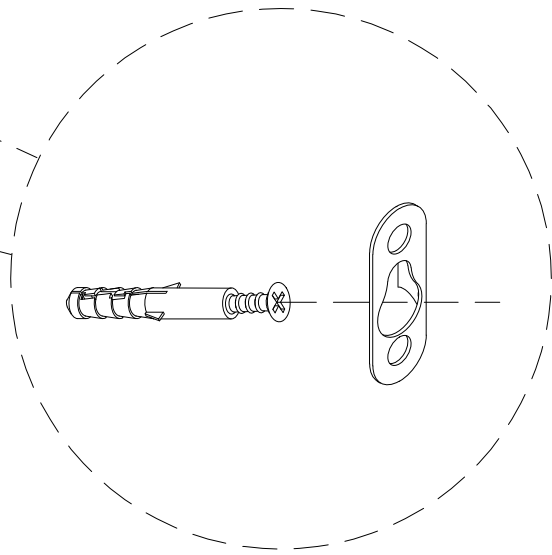
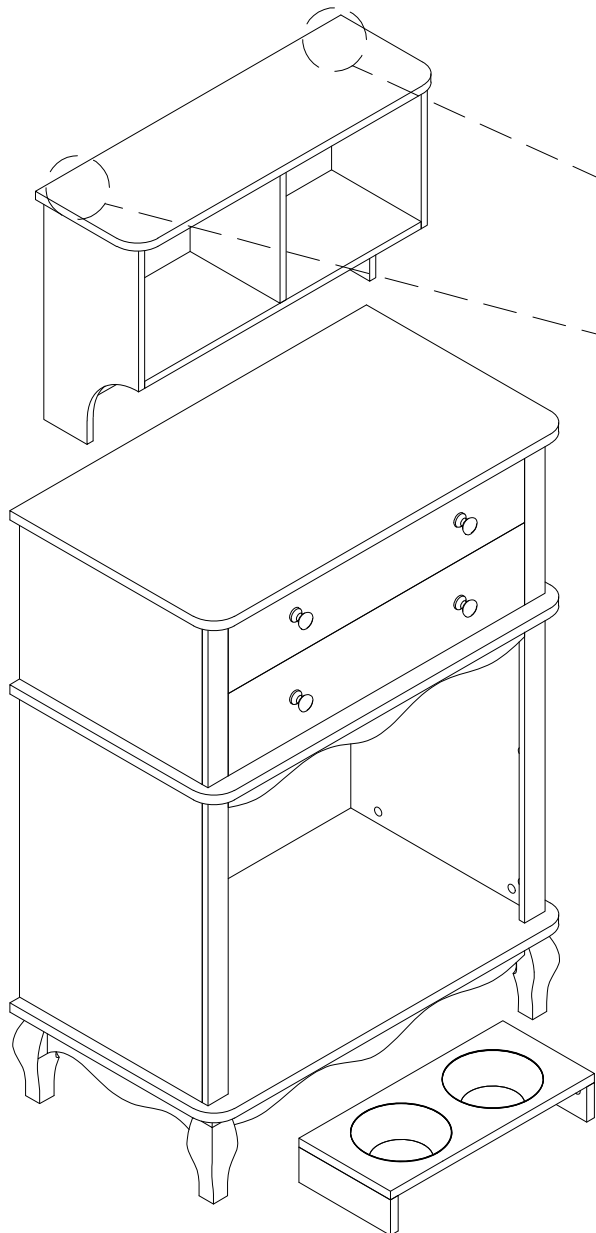
28



WALL



29



MAINTENANCE AND CARE

1. Generally, it requires no more than dry, soft cloth dusting.
2. Wipe spills immediately with a clean, soft cloth.
3. To prevent fading, keep the item out of direct sunlight.

WARRANTY INFORMATION

Warranty Coverage: Our warranty provides protection against manufacturing defects in materials and workmanship for a specified period from the date of purchase, as outlined in the accompanying warranty documentation.

Exclusions: The warranty does not cover damages resulting from misuse, negligence, accidents, normal wear and tear, unauthorized repairs or modifications, improper assembly, or failure to adhere to the care and maintenance guidelines provided.

Warranty Claim Process

To initiate a return on Amazon, please follow these steps:

- 1 Log into your Amazon account and go to the "Your Orders" section.
- 2 Locate the order containing the item you wish to return.
- 3 Contact our customer service for assistance in obtaining a prepaid return label.
- 4 Once you receive the return label, securely affix it to the package.
- 5 You can then choose to drop off the package at a designated carrier location or arrange for a pickup.
- 6 After we receive and inspect the returned product, we will initiate the refund process.
- 7 The refund will be credited back to the original payment method used during the purchase.
- 8 Typically, refunds are processed within 3-5 business days.