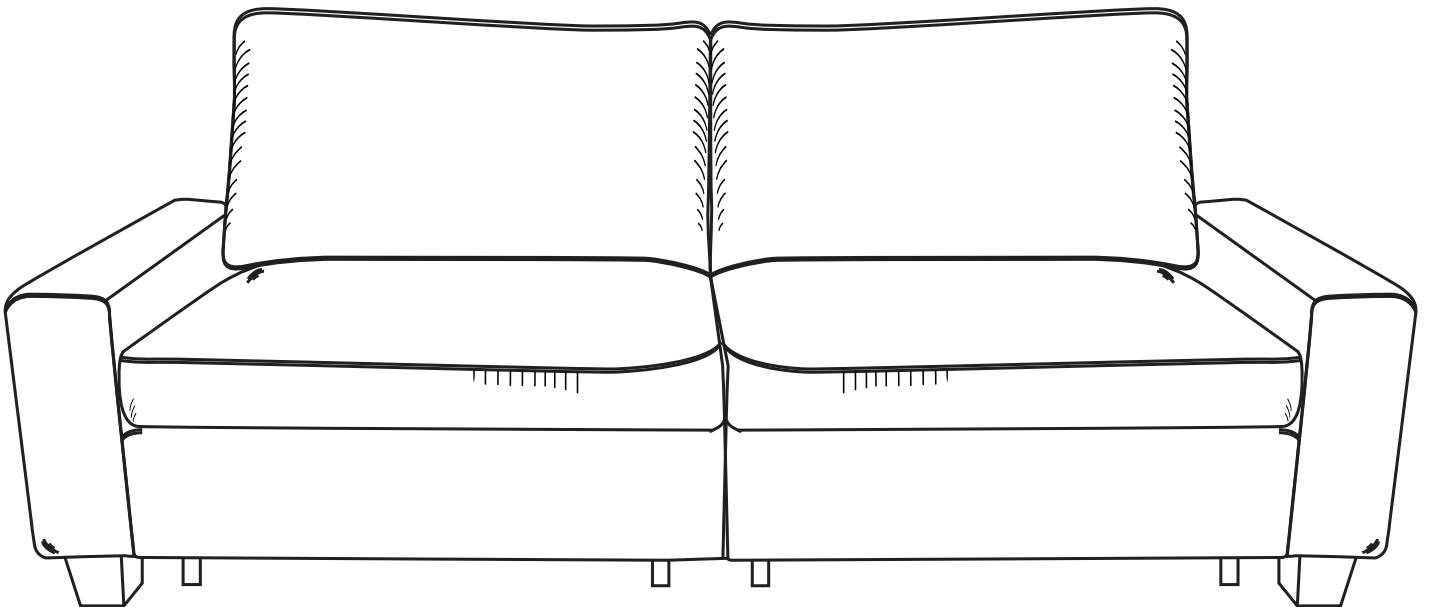


Loveseat

Complete drawing display



Model: C0012

Safety And Care Advice

Important - Please read these instructions carefully before installing

Thank you very much for purchasing the product.

To use this product safely and correctly, please read these instructions carefully. After reading these instructions, keep this manual in a safe place for future reference.

Although this product is expected to be complete and safe, please check that all accessory items are included before attempting to assemble the product.

If you find anything in the instruction manual that is difficult to understand, or if you find a defect with the product, stop using it immediately and contact Customer Service.

Warnings :

Children are not allowed to assemble the product. During assembly, keep all small parts out of the reach of children as they may be fatal if swallowed or inhaled.

Do not place in front of a fire or other heat source.



After-sales
service



Fast installation



Teamwork
Recommended



The product parts are packed in two separate cartons. Please wait to receive both complete cartons before proceeding with the installation.

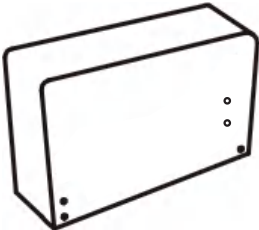
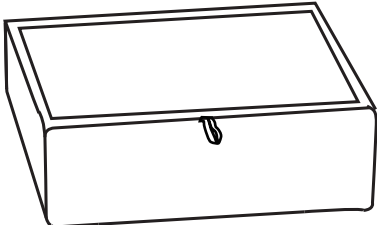
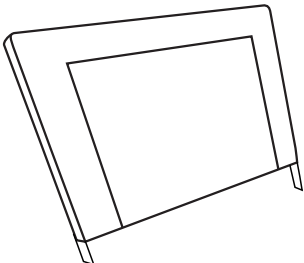
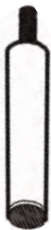
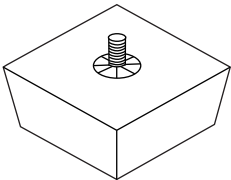
Maintenance and Cleaning Methods

- 1.Regular Vacuuming:** Make it a habit to vacuum your fabric sofa regularly, at least once a week, to remove dust, dirt, and crumbs. Use a soft brush attachment to prevent damage to the fabric.
- 2.Spot Cleaning:** Deal with spills and stains immediately to prevent them from setting into the fabric. Blot the spill with a clean cloth or paper towel to absorb as much liquid as possible, then use a mild detergent mixed with water to gently clean the area. Always test any cleaning solution on a hidden area of the sofa first to ensure it doesn't cause discoloration.
- 3.Professional Cleaning:** Consider having your fabric sofa professionally cleaned at least once a year, especially if it's heavily used or if you have pets. Professional cleaners have the expertise and equipment to deep clean the fabric without causing damage.
- 4..Fluff and Rotate Cushions:** Regularly fluff and rotate the cushions on your sofa to ensure even wear and maintain their shape. This will help prevent sagging and prolong the life of the sofa.
- 5.Protect from Sunlight and Pets:** Position your fabric sofa away from direct sunlight to prevent fading and discoloration. If you have pets, consider using a protective cover or blanket to minimize damage from claws and hair.

By following these maintenance and cleaning tips, you can keep your fabric sofa looking fresh and inviting for years to come.

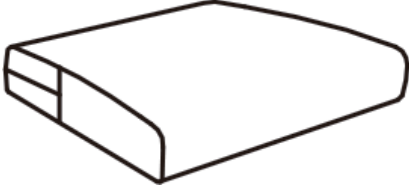
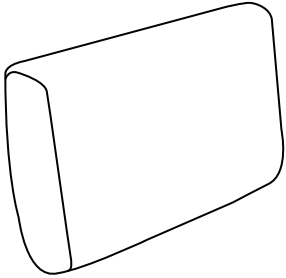
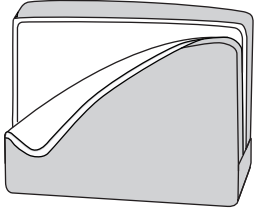
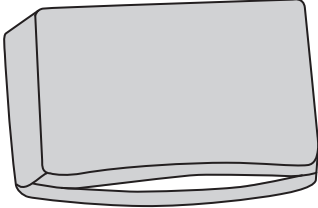
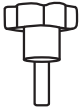


Parts List

The parts list is shown below

illustration	description	quantity
	Armrest	A × 1
	Storage box	B × 1
	Backrest board	C × 1
	Middle leg	D × 4
	Wooden leg	E × 2

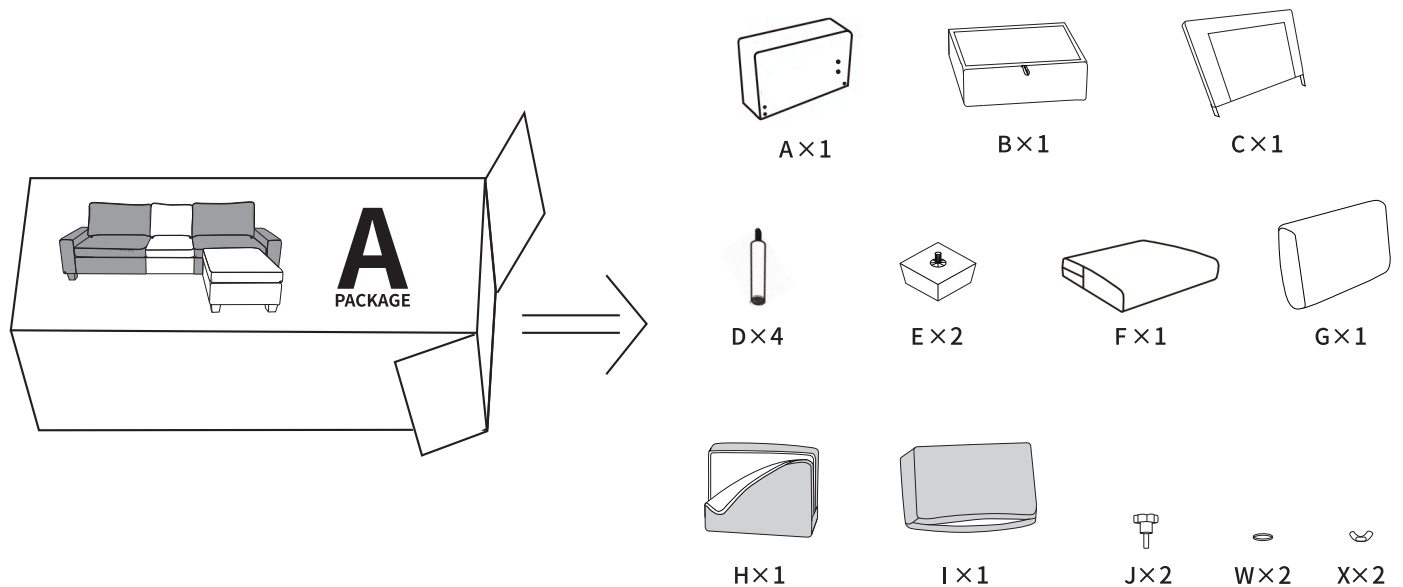
Parts List

The parts list is shown below

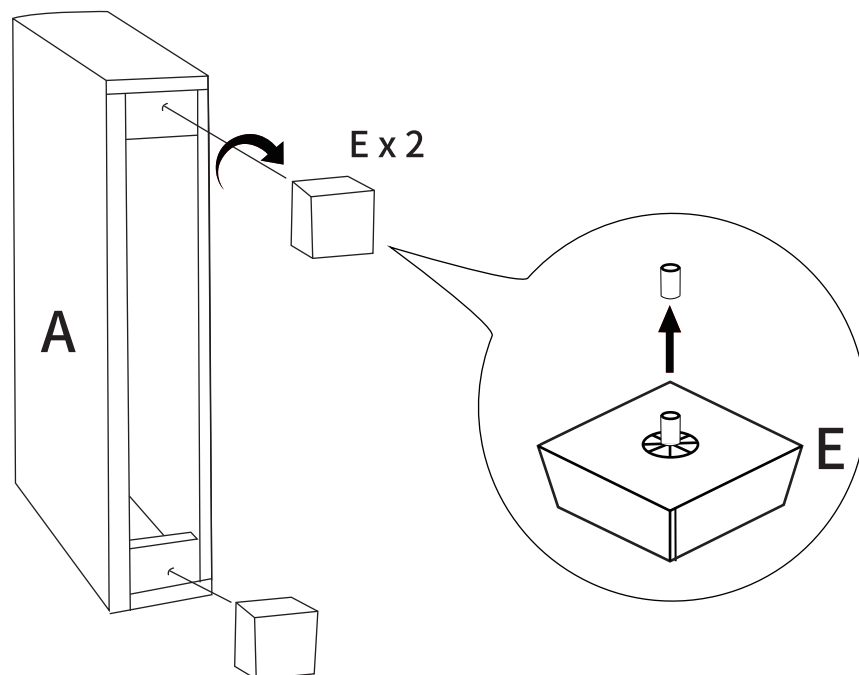
illustration	description	quantity
	Seat cushion	F × 1
	Backrest cushion	G × 1
	Seat cushion cover	H × 1
	Backrest cushion cover	I × 1
	Five-star locking bolt	J × 2
	Washer	W × 2
	Screw	X × 2

Installation Procedure

Specific operations are shown in the following figure



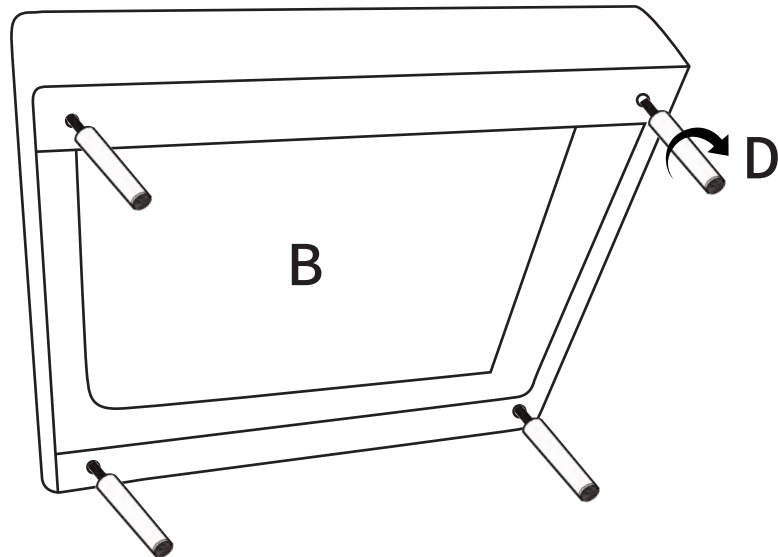
Step 1: Take out all the parts from one Box A (The parts in the two boxes A are exactly the same).



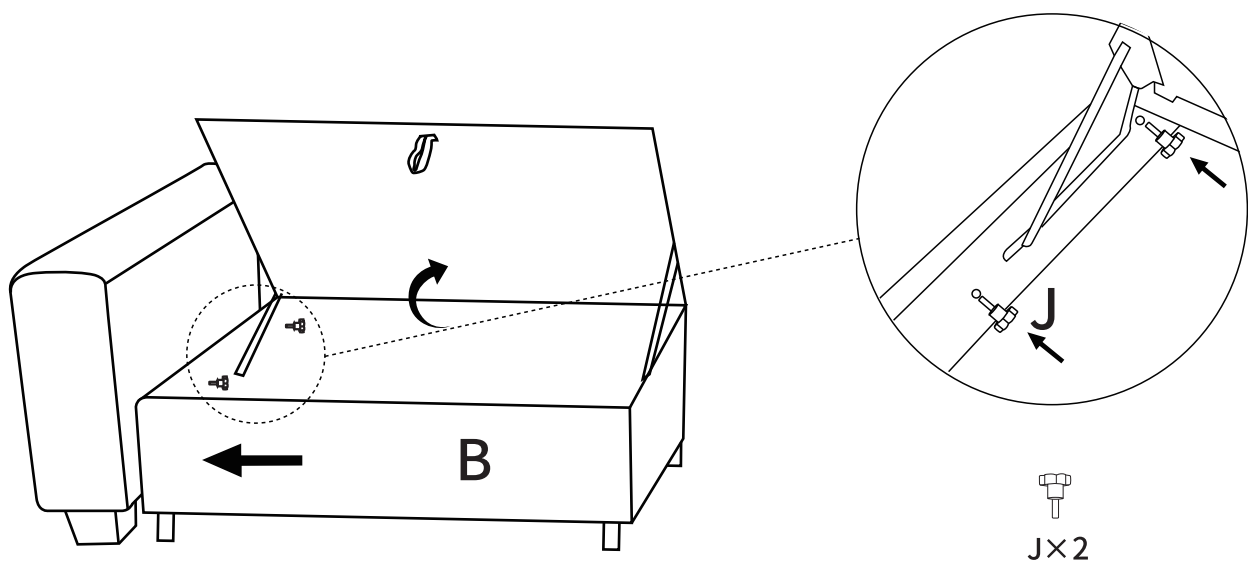
Step 2: Attach 2 wooden legs (Part E) to the armrest (Part A).

Installation Procedure

Specific operations are shown in the following figure



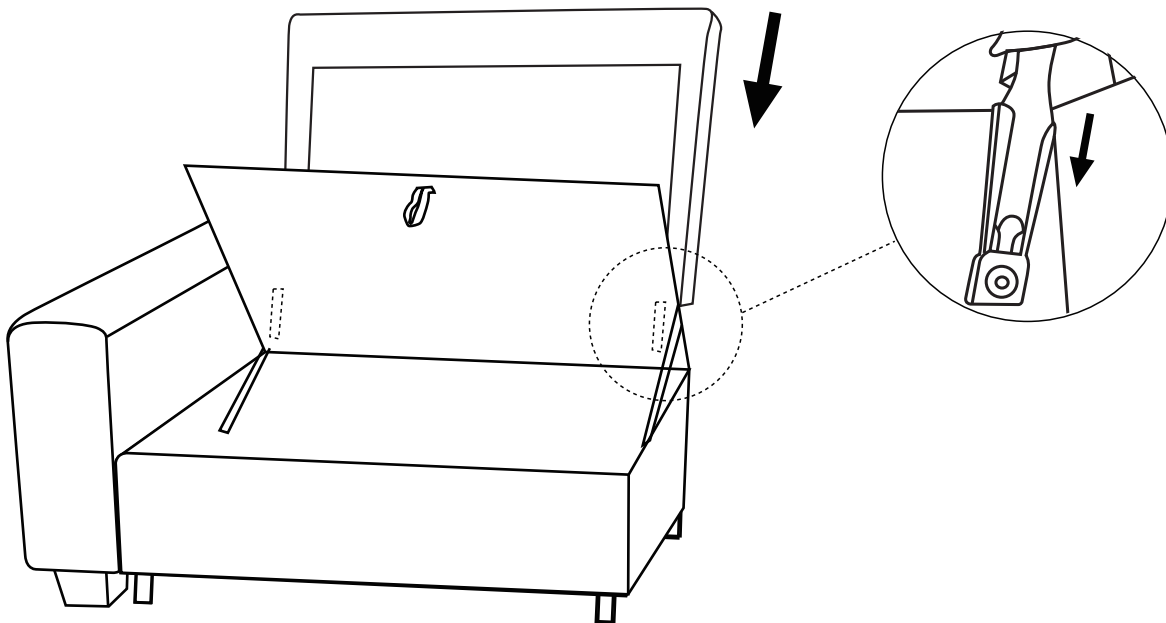
Step 3: Attach 4 middle legs (Part D) to the storage box (Part B).



Step 4: Use 2 five-star locking bolts (Part J) to connect the armrest (Part A) and the storage box (Part B).

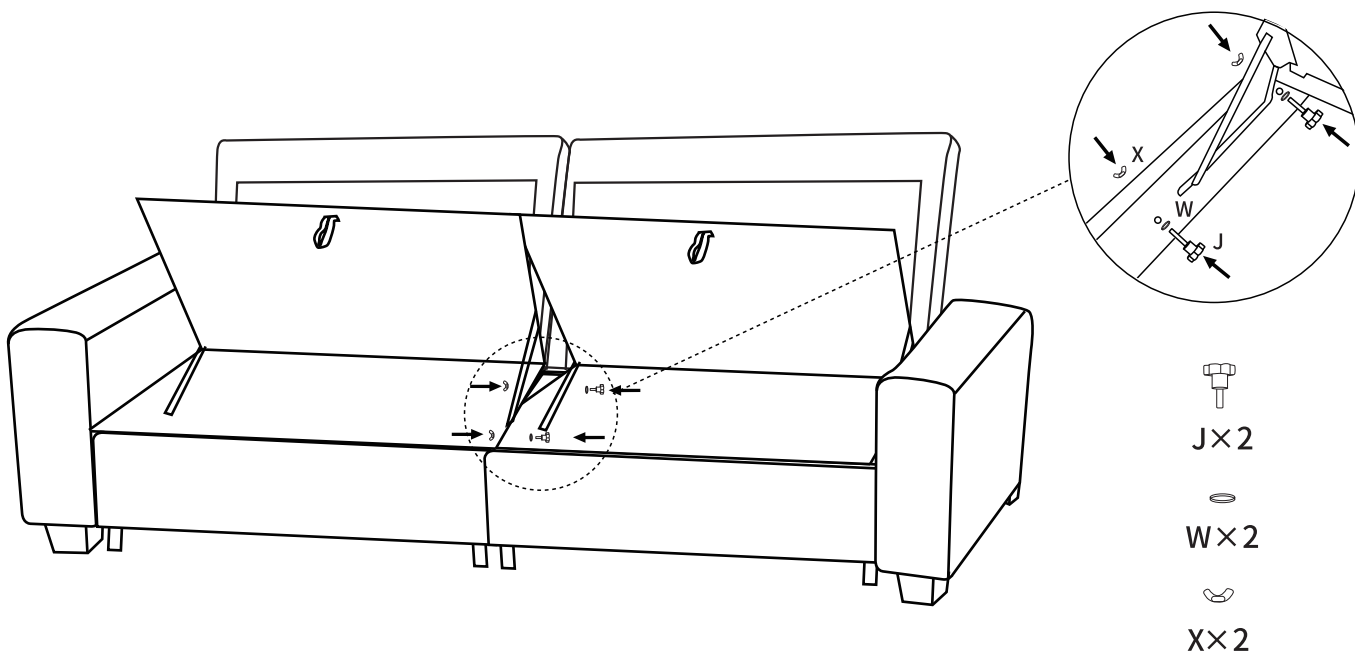
Installation Procedure

Specific operations are shown in the following figure



* Repeat the above steps to assemble the other unit.

Step 5: Lift the storage lid and insert the backrest board (Part C) into the bottom frame latch.

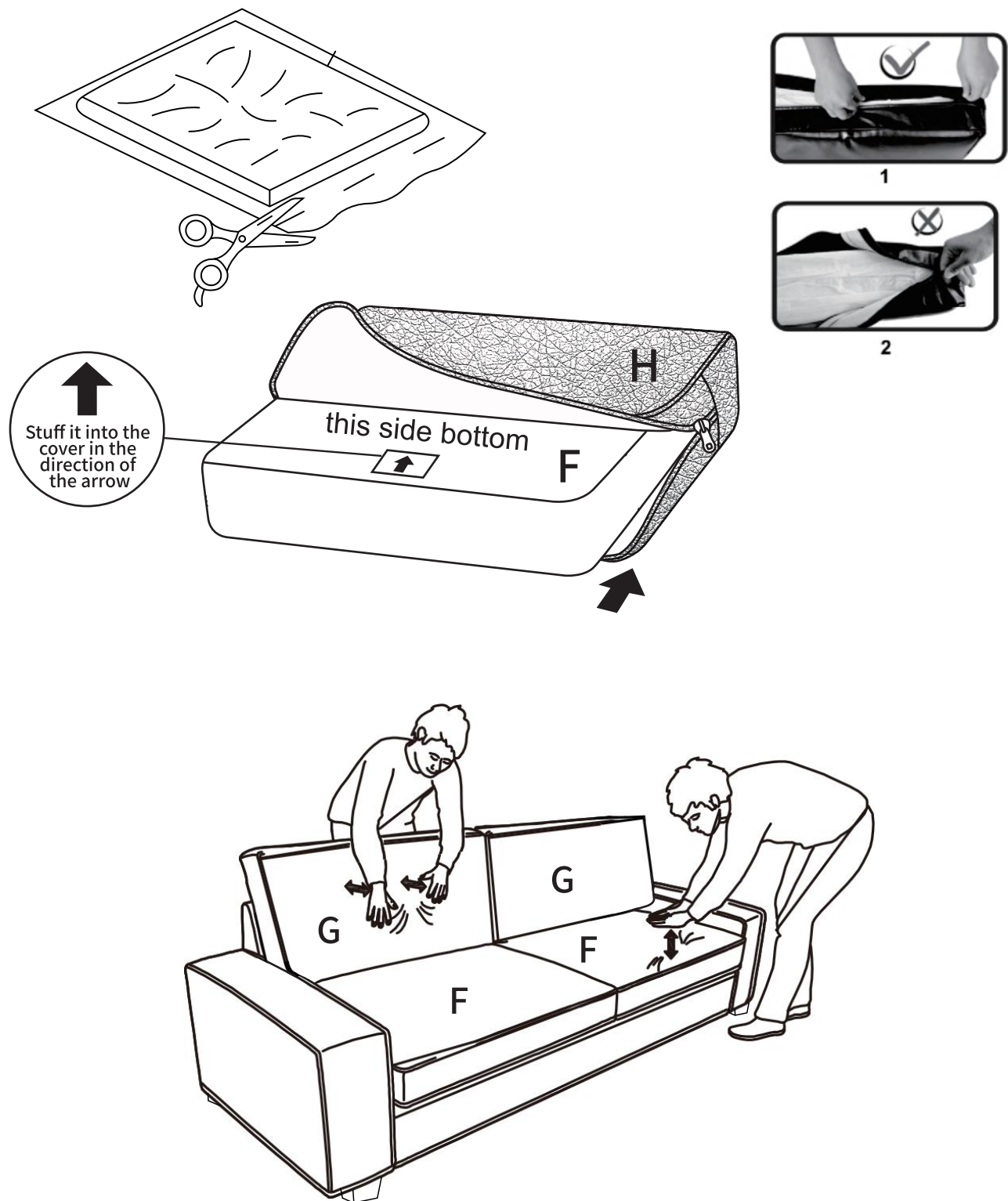


* For two-seater sofa:

1. Please use 2 five-star locking bolts J, gasket W and X to connect the two seats together.

Installation Procedure

Specific operations are shown in the following figure



* For two-seater sofa:

2. Unpack the seat cushion compression bags (Part F) and backrest compression bags (Part G), then put on the fabric covers (Part H & Part I).