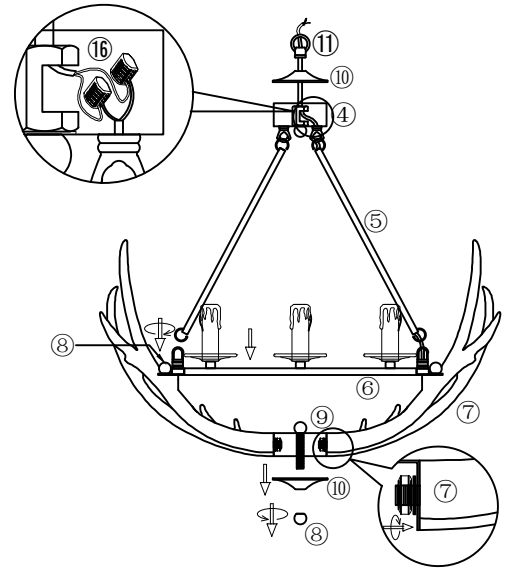
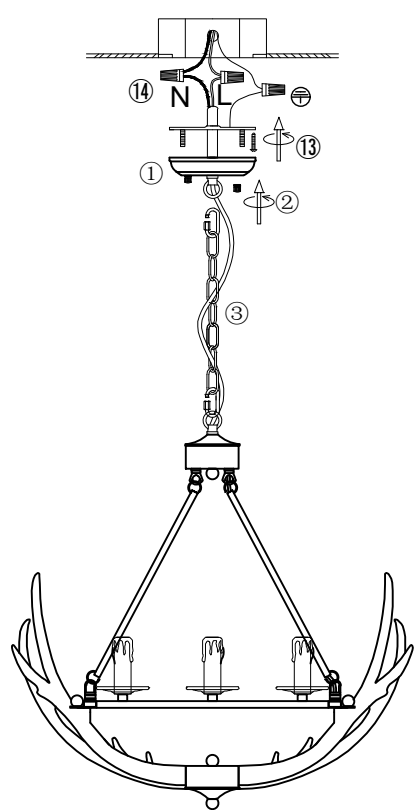


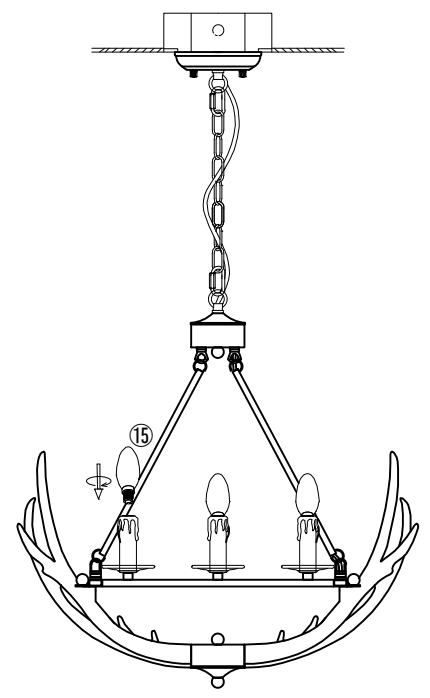
- X 1PCS X 3PCS X 3PCS
- X 3PCS X 3PCS X 2PCS



1. Loosen the end cap 8 to remove out cover 10 of metal box 9, install the antler 7 to the box 9 with lock nut and teeth lock washer, close back the cover 10 to the box 9 with end cap 8.
2. Install the antler 7 to the fixture 6 with end cap 8.
3. Rotate ring 11 to loosen and remove out the cover 10 of box 4, let the wire go through one of the hook tube 5 and connected box 4, connect the wires by parallel with connectors 16 (live line-L use one connector, and neutral Line-N use another connector), close back the cover 10 by rotate ring 11, hang the rest hook tubes 5 between light fixture to the box 4.



4. Hang the fixture to the canopy 1 with chain 3, let the wire go through the chain 3 and canopy 1.
5. Install the bracket to the ceiling junction box with screw 13.
6. Connect the wire to the home line with cap connector 14.
7. Install the fixture to the bracket with cap nut 2.



8. Install the bulb 15.

Please read carefully before installation!!!
 Note : Please make sure that the electricity is powered off during installation !
 Only a professional electrician should install this kind of product !