

ASSEMBLY INSTRUCTIONS

Read this instruction carefully. See hardware and furniture part list for guidance. Be sure all parts are complete, before you assemble. Place all wooden furniture parts on a clean and flat soft surface to prevent from being scratched. Follow the figure to start assembling.

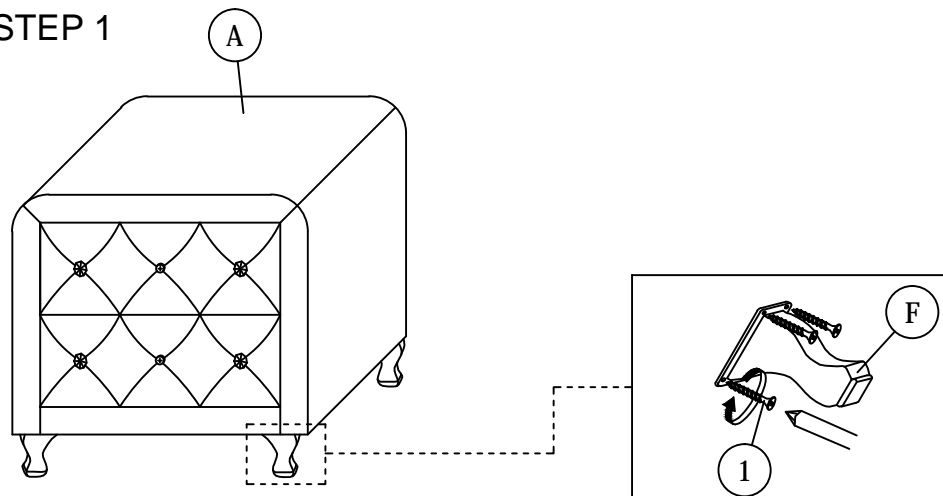
CAUTIONS : 1. Do not FULLY - TIGHTEN the nut or nut bolt until all nut or bolt is ready assembled.
2. Do not OVER - TIGHTEN the nut or bolt to avoid causing damages to the thread.
3. Keep all hardware parts out of reach of children.

NOTE : THE LIST AND QUANTITY SHOWN ARE FOR 1 UNIT ASSEMBLY.

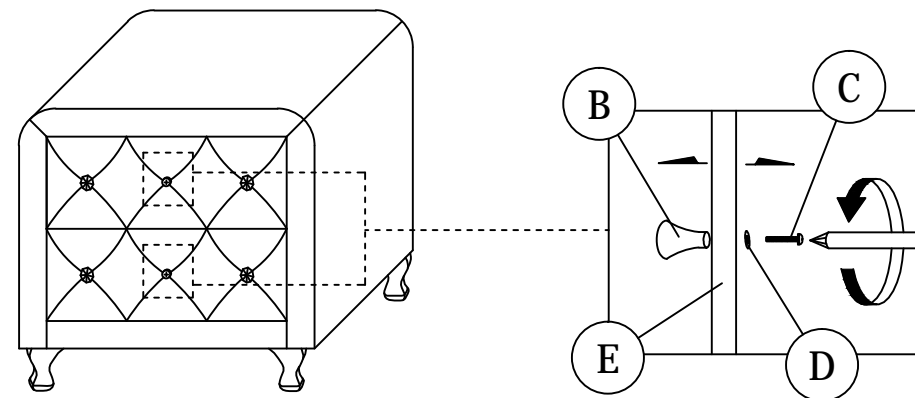
PART LIST		
ITEM	DESCRIPTION	QTY
A	NIGHTSTAND	1 SET
B	HANDLE	2 PCS
C	HANDLE SCREW	2 PCS
D	FLAT WASHER	2 PCS
E	DRAWER	2 PCS
F	LEGS	4 PCS

PART LIST		
ITEM	DESCRIPTION	QTY
1	Wood Screw M4 x 20mm 	12 PCS
2	-	

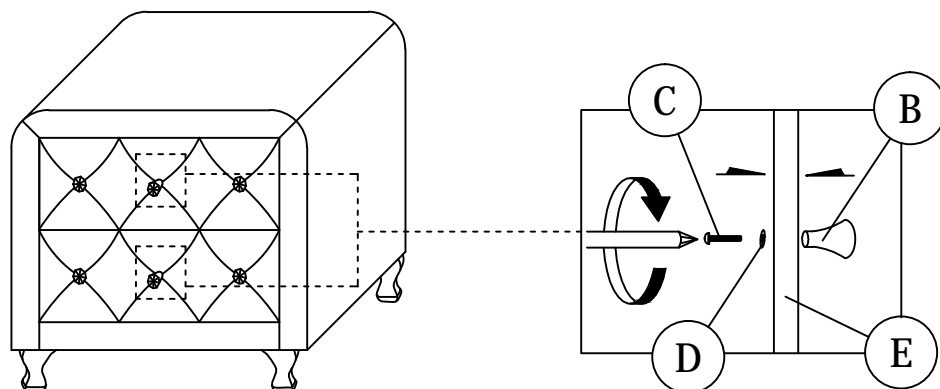
STEP 1



STEP 2



STEP 3



STEP 4

