



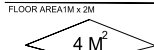
140 MIN
APPROXIMATE
ASSEMBLY TIME



Number of
packages

1

REQUIRED
ASSEMBLY SPACE



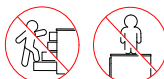
Maintenance skills

1. Use a clean and soft cloth to remove dust regularly; do not use solvents;
2. If you are in a humid environment for a long time, you must ventilate and exhaust moisture to avoid the furniture from being immersed in water;
3. Keep away from high temperature sources such as stoves, radiators, etc. to prevent the furniture from deforming.

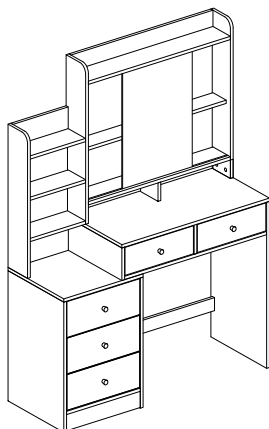
Tools needed:



Assembly Manual



Climbing Prohibit



Please read this manual carefully before any operation and keep it properly for future use.

1

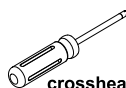
WARNING

Keep all parts out of the children's reach.

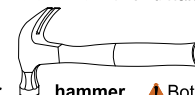
IMPORTANT: Tipping can injure young children.

NOTE

- You need to have a crosshead screwdriver and hammer beforehand.



crosshead screwdriver

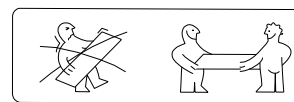
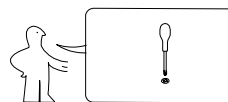


hammer

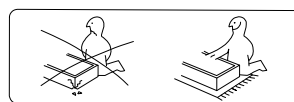
Both not included in package.

- Place all the panels on a clean and smooth surface, such as a rug or carpet, to prevent them from being scratched.
- Make sure that all parts in your product package, including panels and accessories, match up with those listed in the **Panels & Accessories list**.
- Don't tighten screws or bolts until all the pieces are fitted.
- It is recommended to have 2 persons to complete the assembly.

NOTE



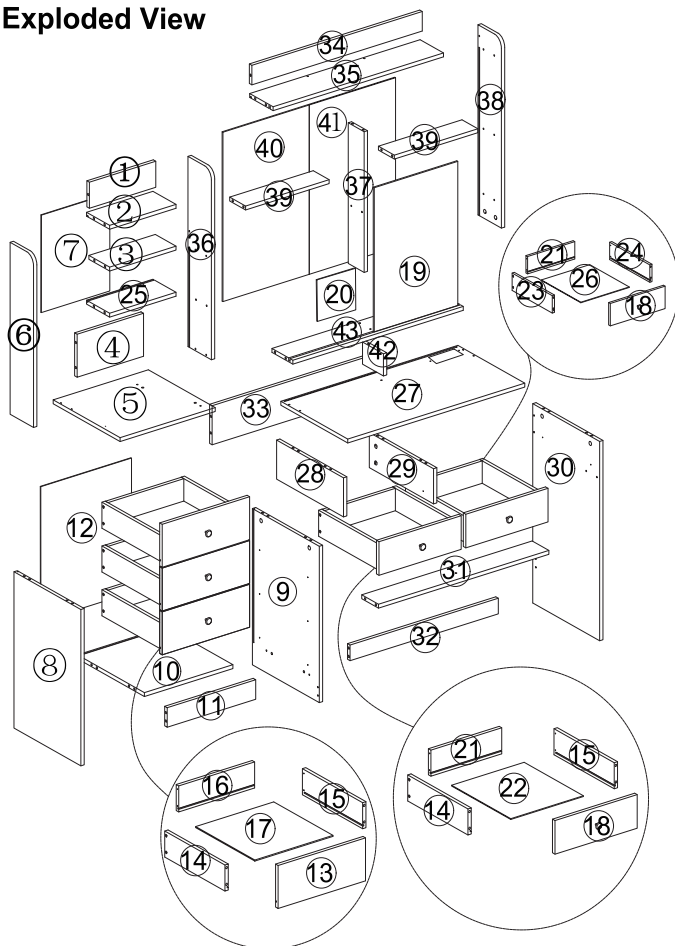
① Safe carriage, multi-people are needed.



② Handle with care, protective layer is required.

2

Exploded View



3

Panel List

Please check the Panel list before installation.

Item no.	Reference Image	Qty.	Item no.	Reference Image	Qty.
1		1X	9		1X
2		1X	10		1X
3		1X	11		1X
4		1X	12		1X
5		1X	13		3X
6		1X	14		4X
7		1X	15		4X
8		1X	16		3X

4

Assembly Manual

Home&Garden

Item no.	Reference Image	Qty.	Item no.	Reference Image	Qty.
17		3X	25		1X
18		2X	26		1X
19		1X	27		1X
20		1X	28		1X
21		2X	29		1X
22		1X	30		1X
23		1X	31		1X
24		1X	32		1X

5

Assembly Manual

Home&Garden

Item no.	Reference Image	Qty.	Item no.	Reference Image	Qty.
33		1X	41		1X
34		1X	42		1X
35		1X	43		1X
36		1X	44		2X
37		1X	45		1X
38		1X	46		1X
39		2X	47		2X
40		1X	48		1X

6

Assembly Manual

Home&Garden

Accessories List

Please check the Accessories list before installation.

Item no.	Reference Image	Qty.	Item no.	Reference Image	Qty.
A	 Cam Screws	2X	I	 Corner Guard Kit	18X
B	 Φ8*40 WoodDowel	31X	J	 J1 J2 Moving pulley	4X
C	 Φ15*10 Cam Lock Nuts	95X	K	 K3 K1 K4 K2 350mm Sliding rail	4X
D	 STØ3.5*14 Self-tapping screws	88X	L	 L3 L1 L4 L2 300mm Sliding rail	1X
E	 STØ5*38 Self-tapping screws	23X	M	 Door knob	5X
F	 Φ7*40 Cam Screws	113X	N	 N1 N2 Back panel card strip	1X
G	 Φ12*10 Cam Lock Nuts	22X	O	 Anti-reversal device	1X
H	 Cam Lock Nuts Cover	115X	P	 Clasp	3X

7

Assembly Manual

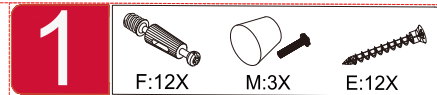
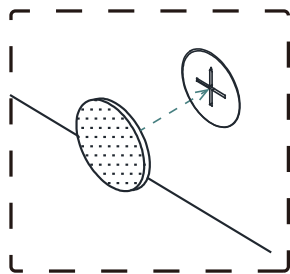
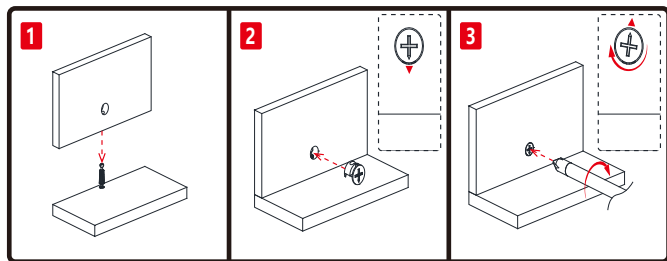
Home&Garden

Item no.	Reference Image	Qty.
Q	 A hook	5X
R	 power cable	1X
S	 Power strip	1X
T	 hinge	2X
U	 Hair dryer stand	1X

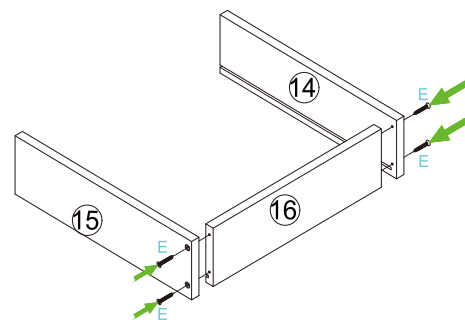
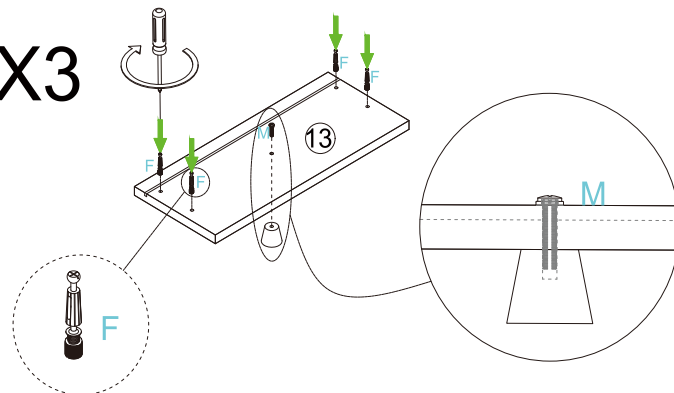
8

IMPORTANT PRECAUTIONS

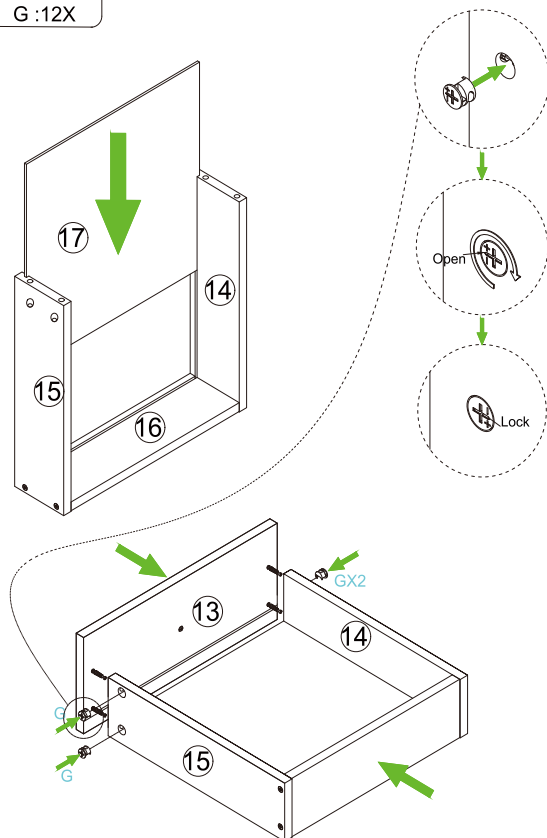
Use Cam Screws, Cam Lock Nuts, Dowel Kit(a)



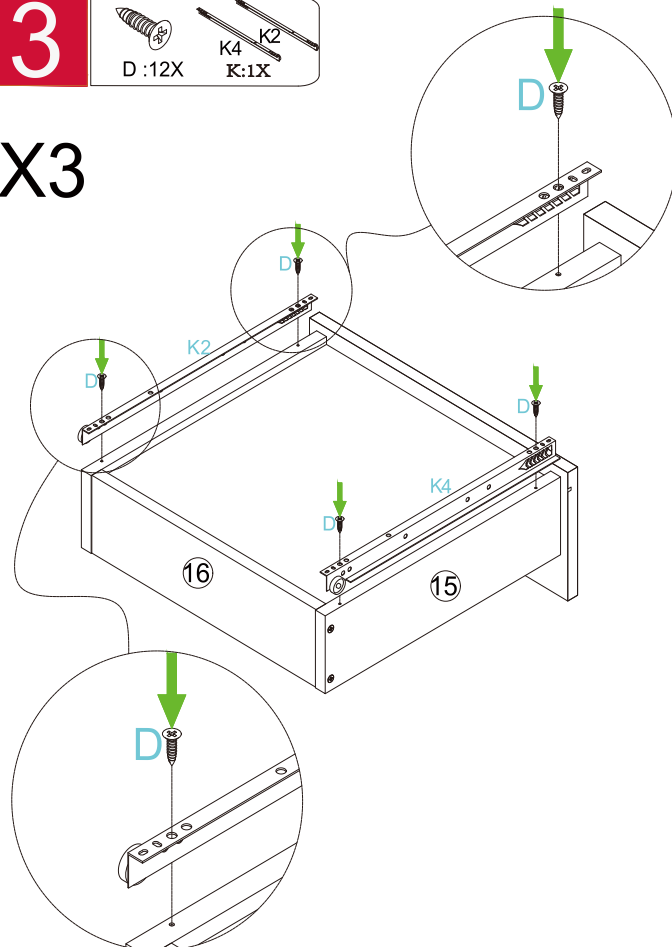
X3



X3



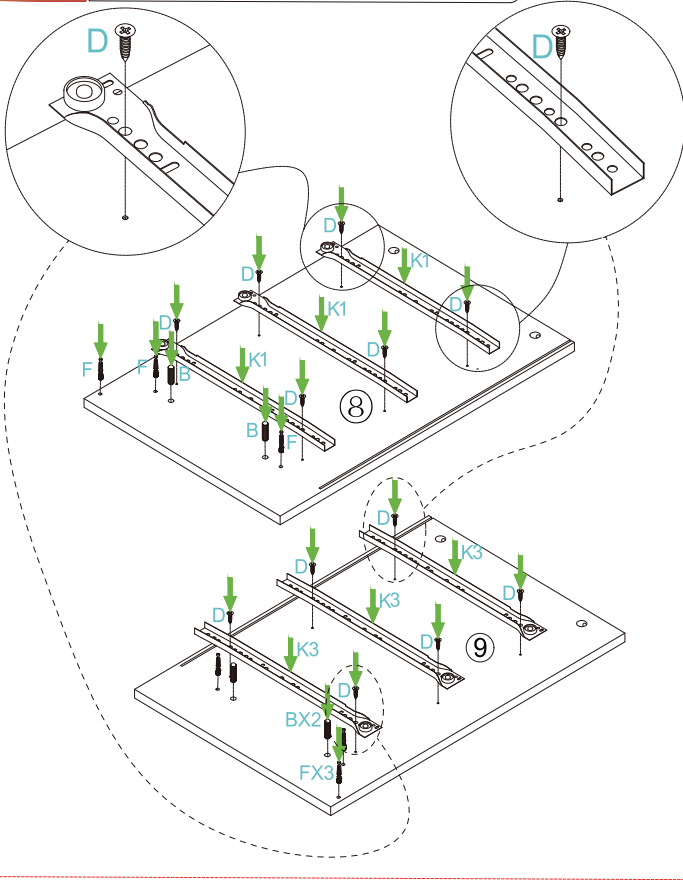
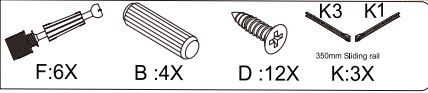
X3



Assembly Manual

Home&Garden

4

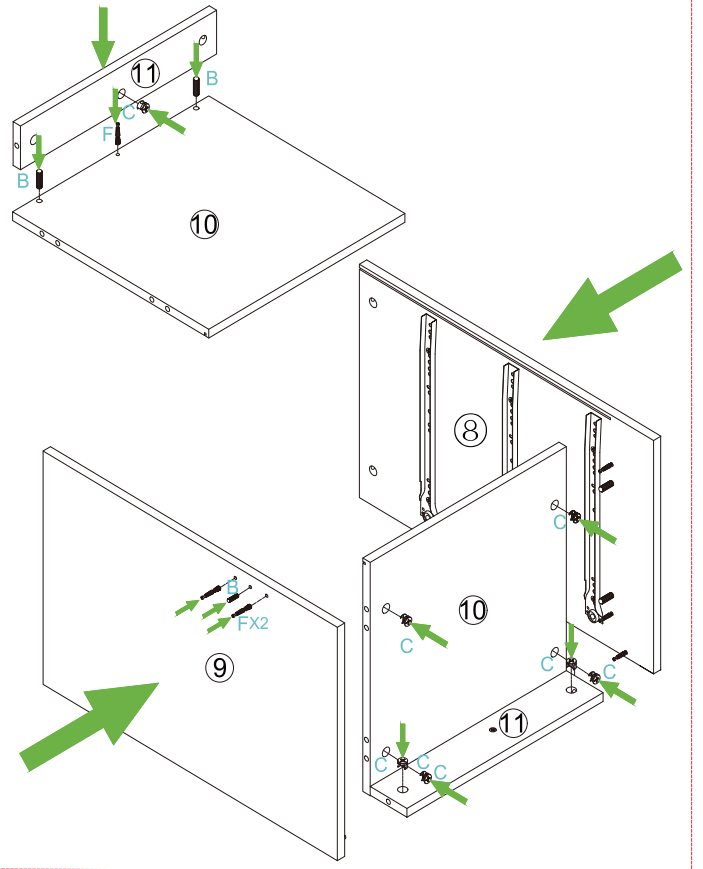
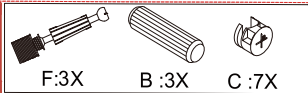


11

Assembly Manual

Home&Garden

5

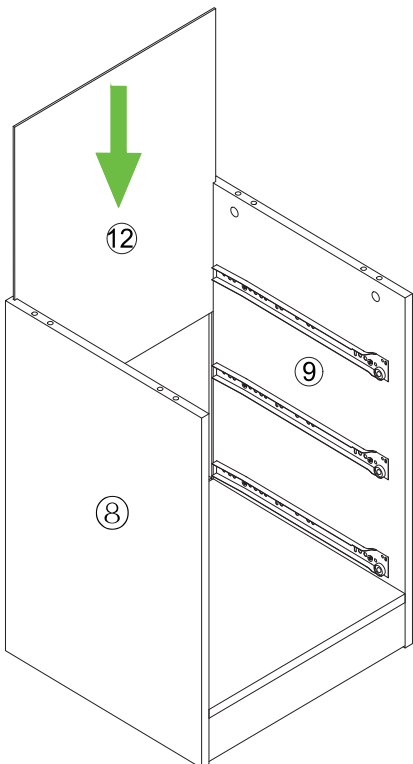


12

Assembly Manual

Home&Garden

6

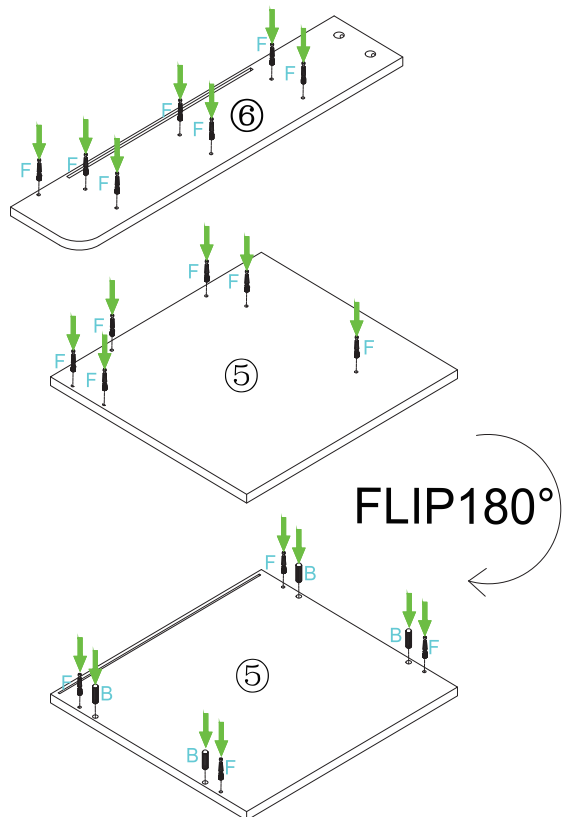
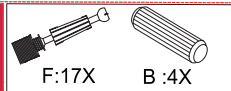


13

Assembly Manual

Home&Garden

7

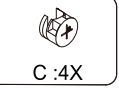


14

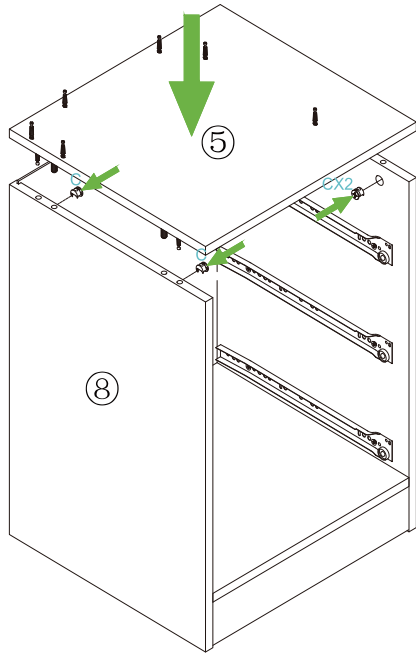
Assembly Manual

Home&Garden

8



C: 4X

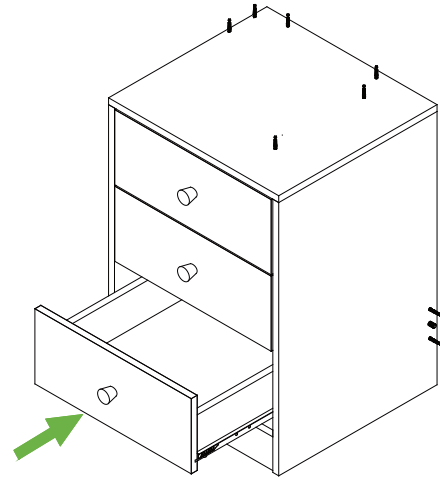


15

Assembly Manual

Home&Garden

9

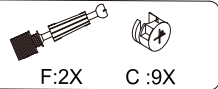


16

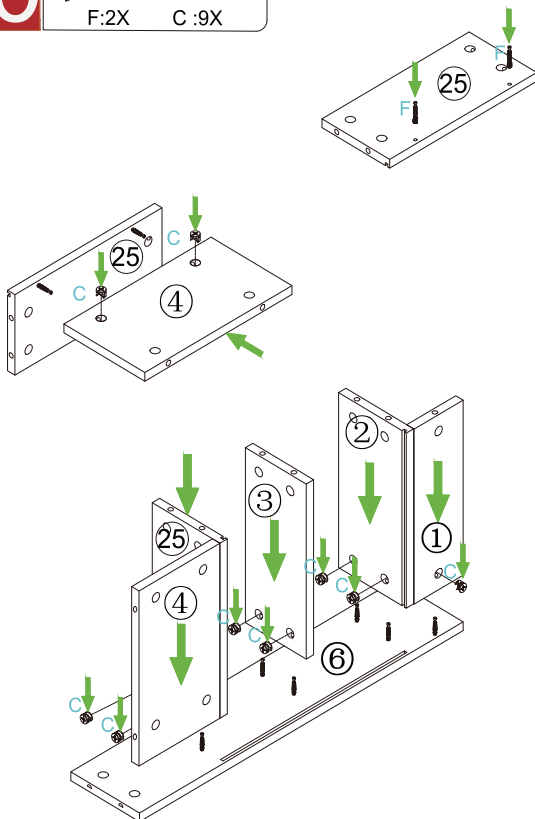
Assembly Manual

Home&Garden

10



F: 2X C: 9X

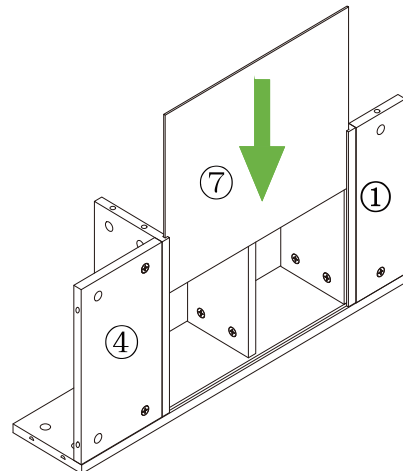


17

Assembly Manual

Home&Garden

11

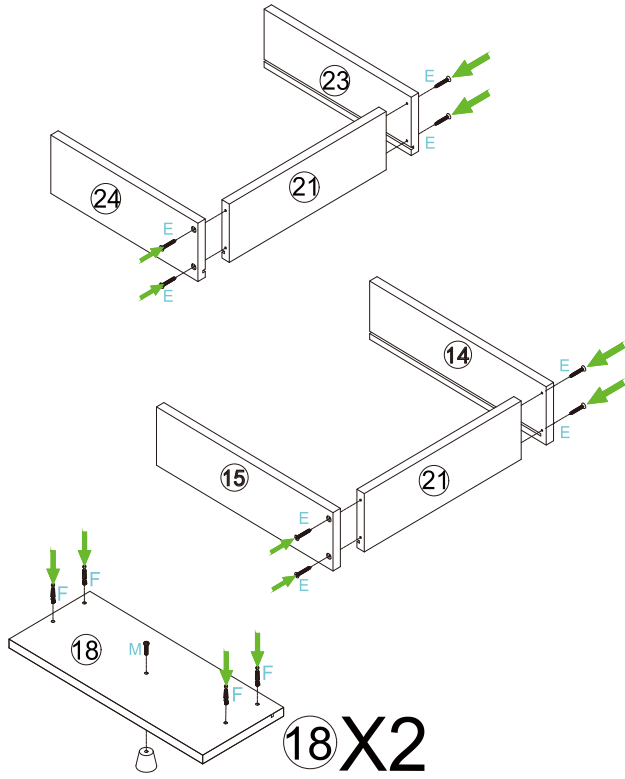


18

Assembly Manual

Home&Garden

12

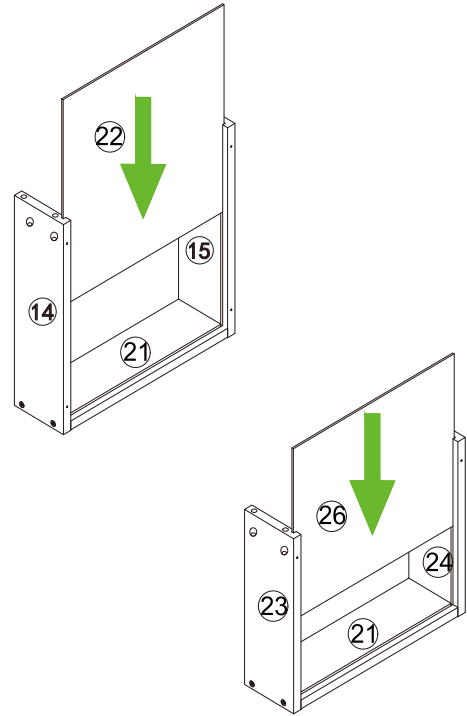


17

Assembly Manual

Home&Garden

13

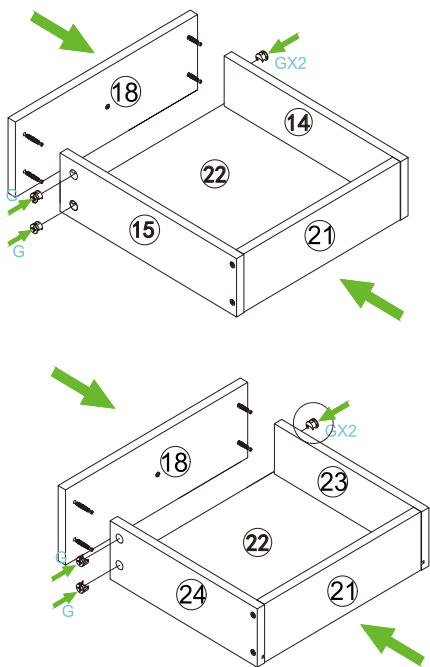


18

Assembly Manual

Home&Garden

14

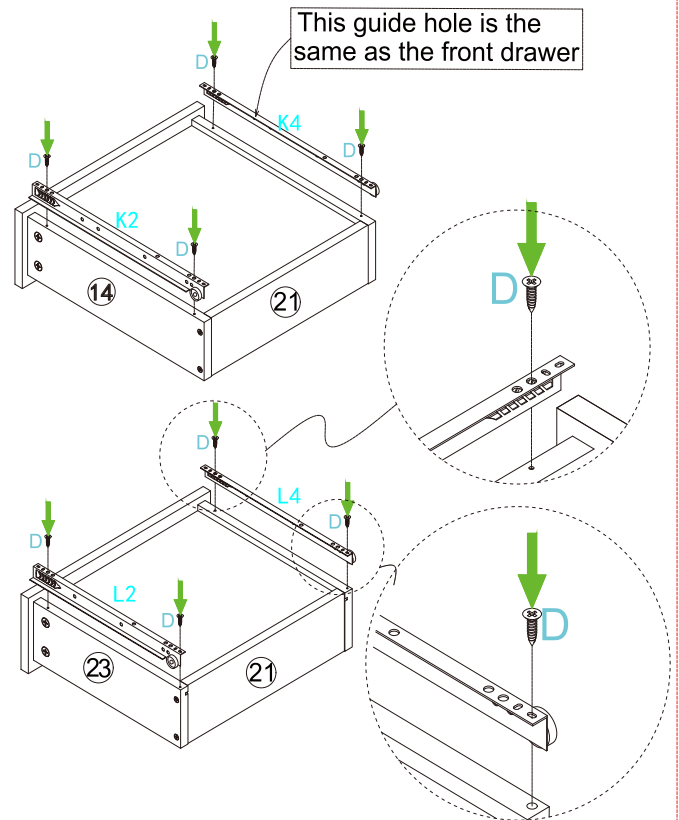
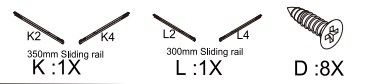


19

Assembly Manual

Home&Garden

15

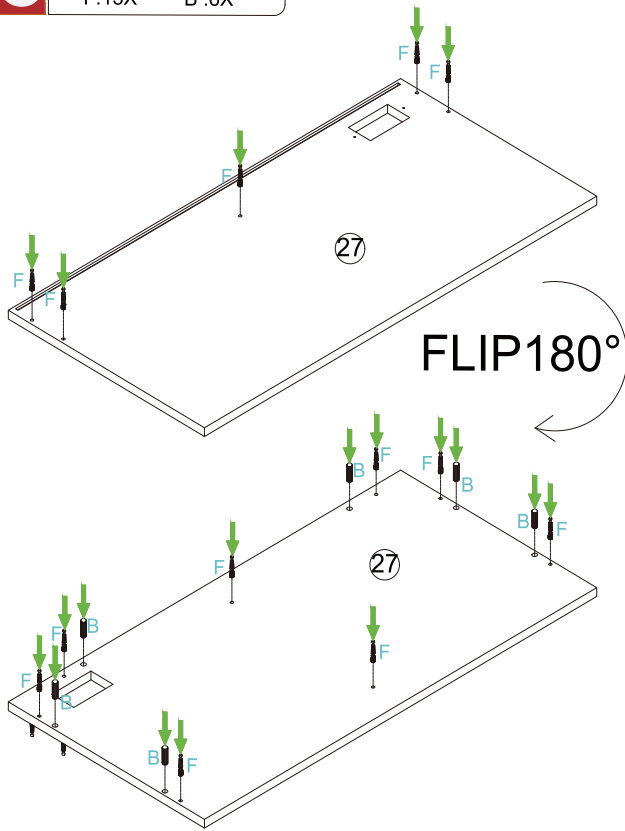
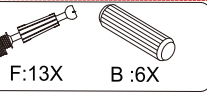


20

Assembly Manual

Home&Garden

16

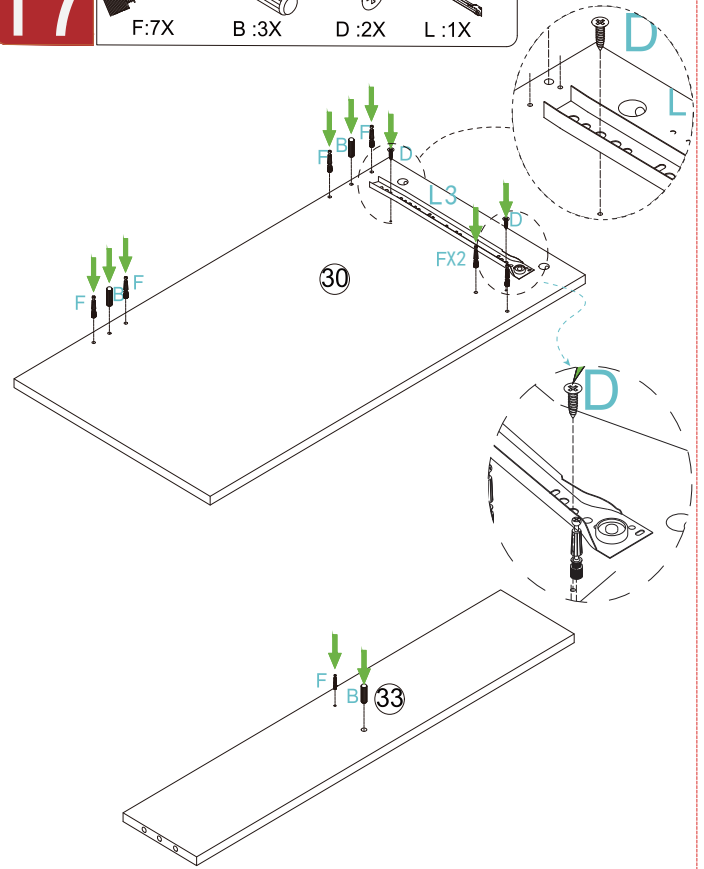
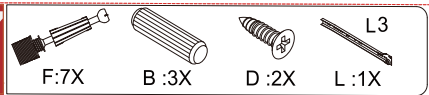


21

Assembly Manual

Home&Garden

17

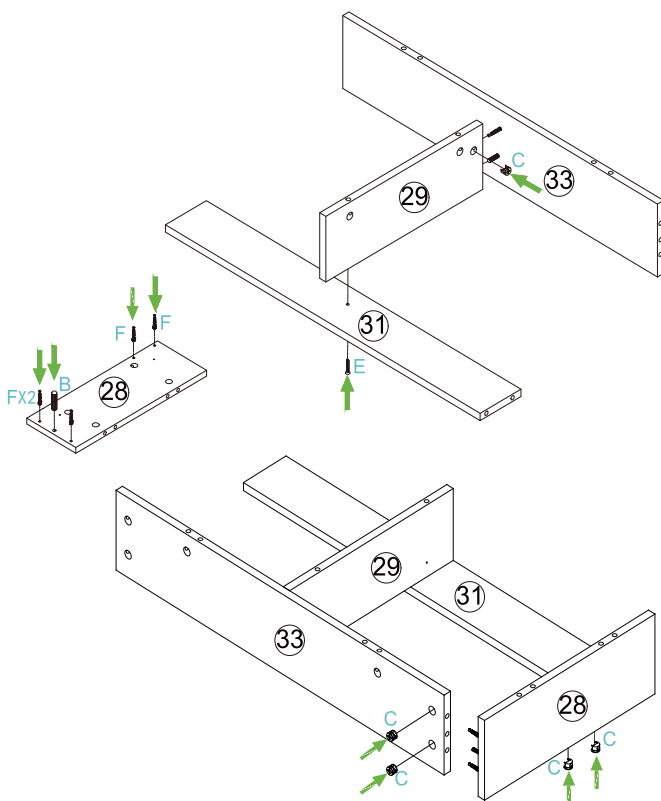
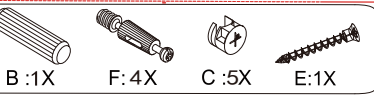


22

Assembly Manual

Home&Garden

18

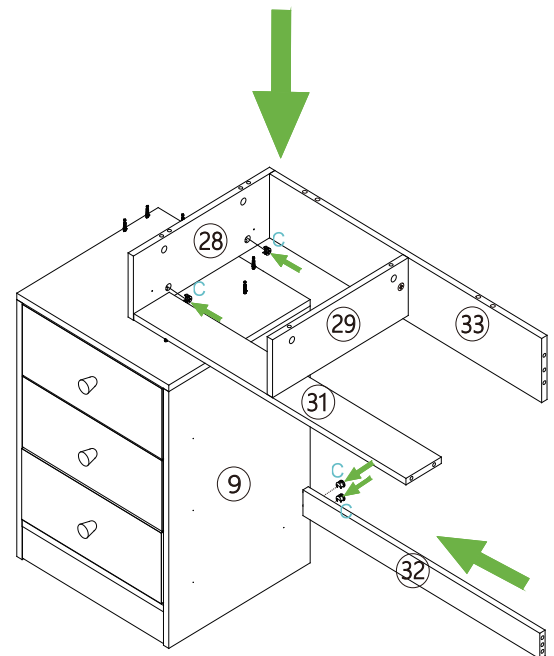
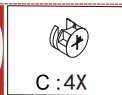


23

Assembly Manual

Home&Garden

19



24

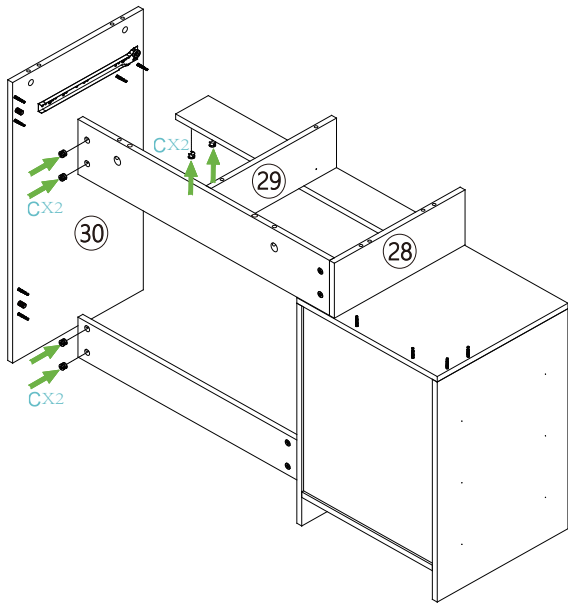
Assembly Manual

Home&Garden

20



C : 6X



25

Assembly Manual

Home&Garden

21



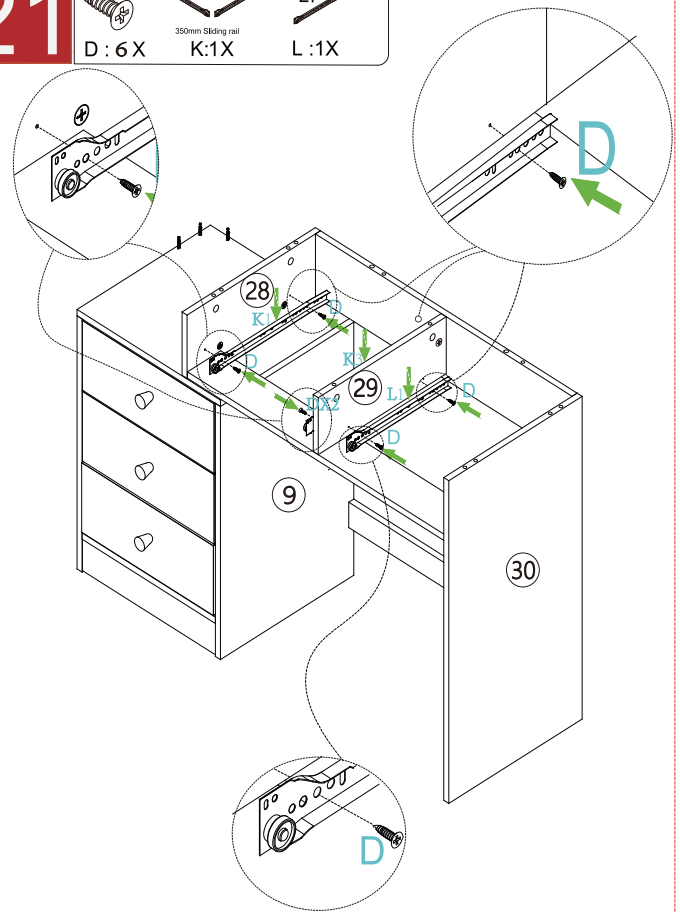
D : 6 X



K:1X



L:1X



26

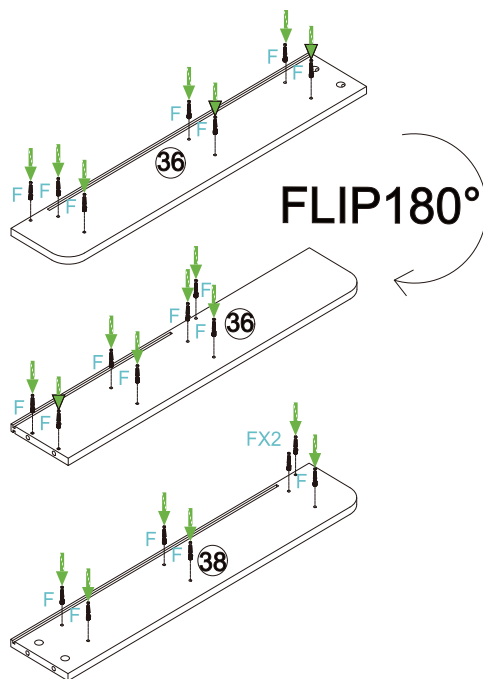
Assembly Manual

Home&Garden

22



F:21X



27

Assembly Manual

Home&Garden

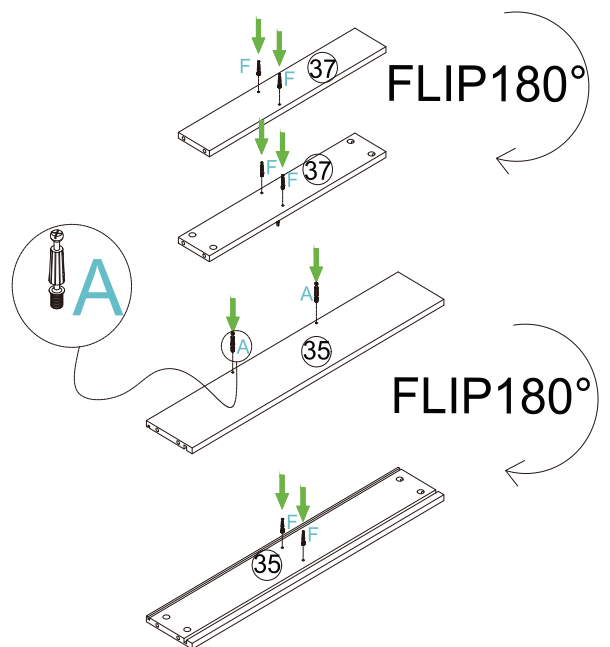
23



F:6X



A:2X

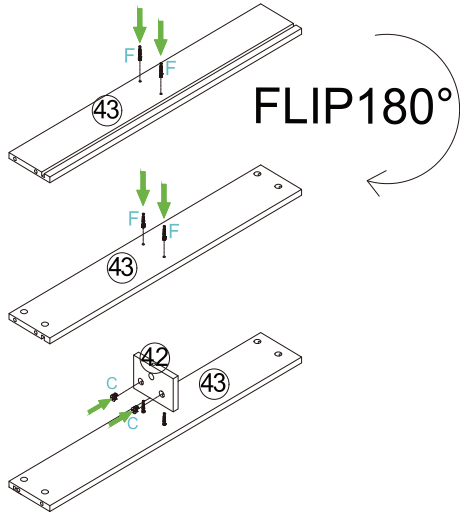
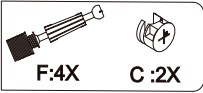


28

Assembly Manual

Home&Garden

24

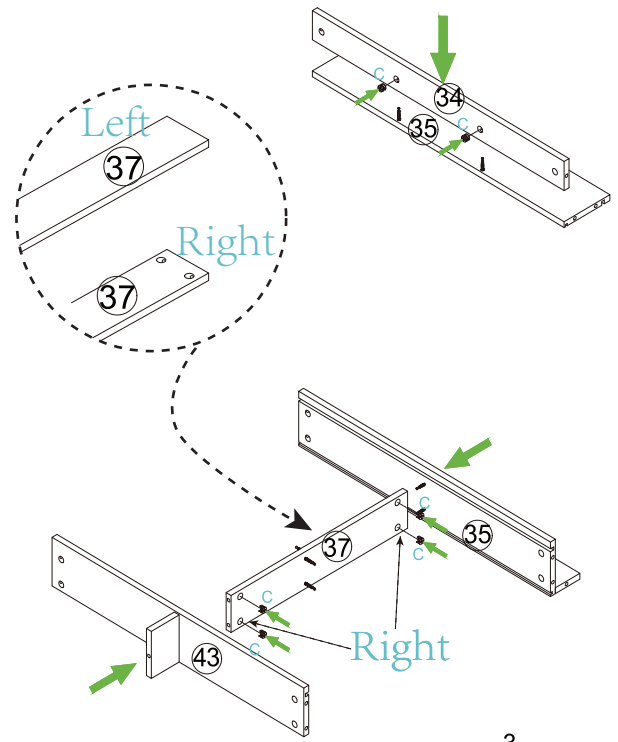
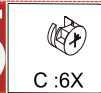


29

Assembly Manual

Home&Garden

25



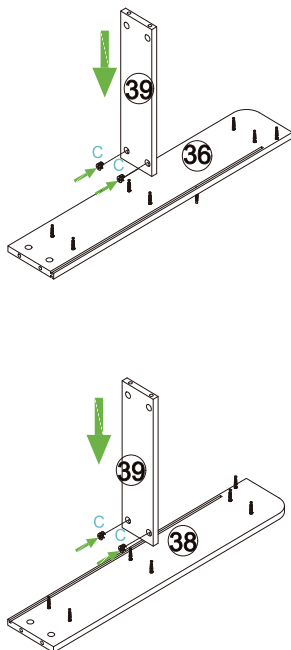
3

30

Assembly Manual

Home&Garden

26

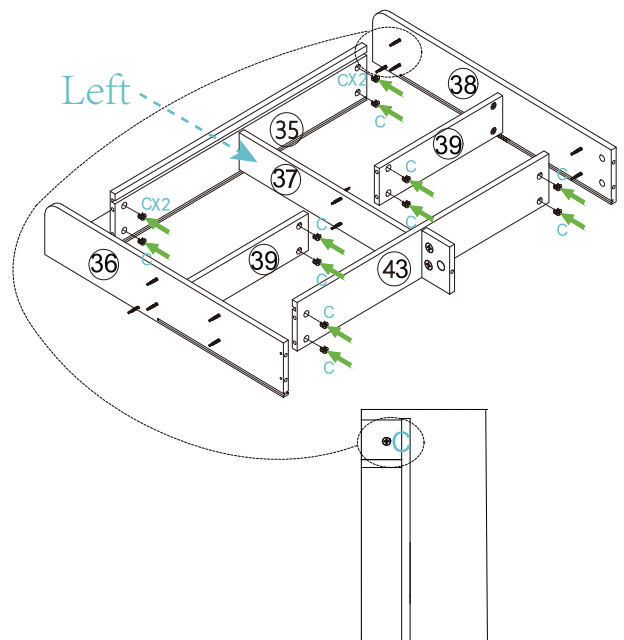


31

Assembly Manual

Home&Garden

27



32

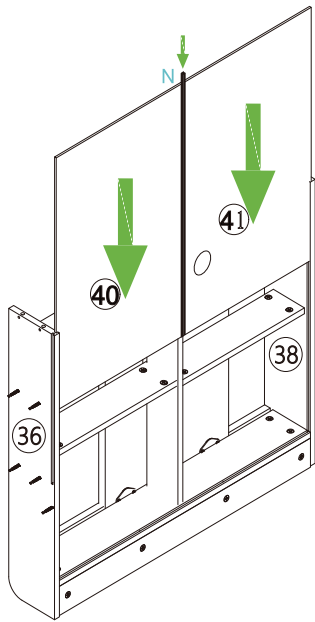
Assembly Manual

Home&Garden

28

N1

Back panel card strip
N:1X



35

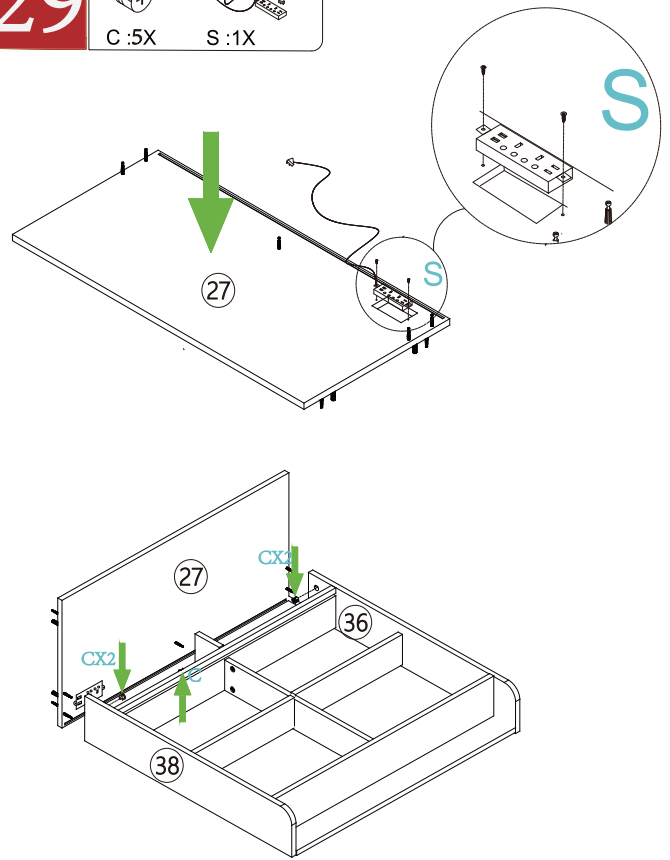
Assembly Manual

Home&Garden

29

C:5X

S:1X



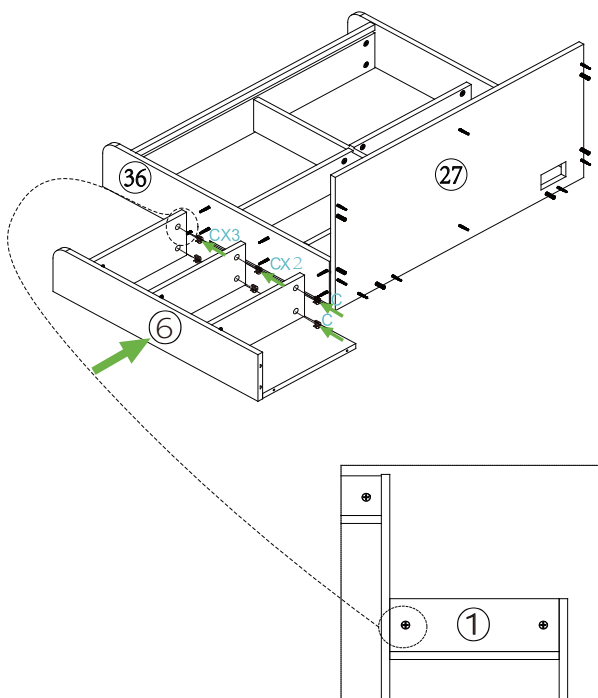
36

Assembly Manual

Home&Garden

30

C:7X



37

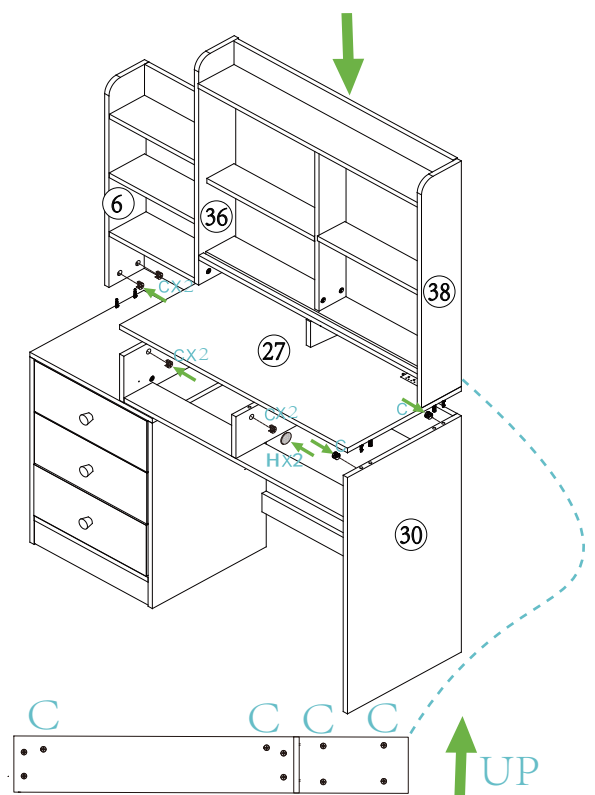
Assembly Manual

Home&Garden

31

C:12X

H:107X



38

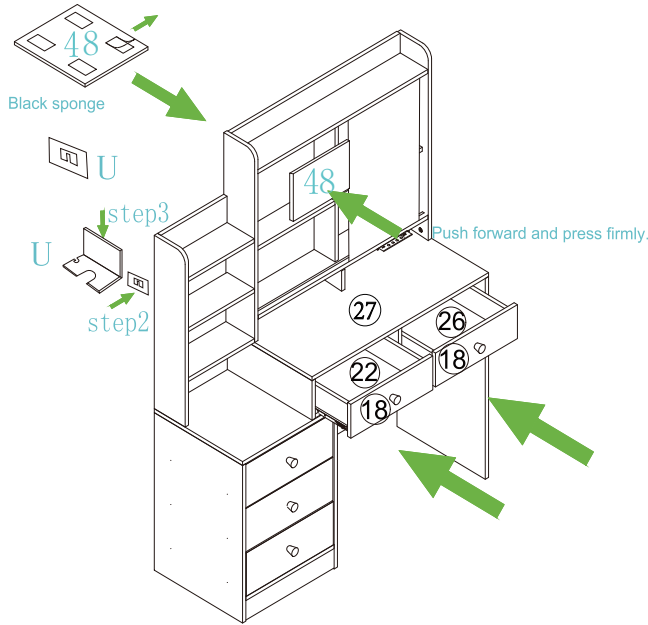
Assembly Manual

Home&Garden

32



Step 1: Remove the back sticker

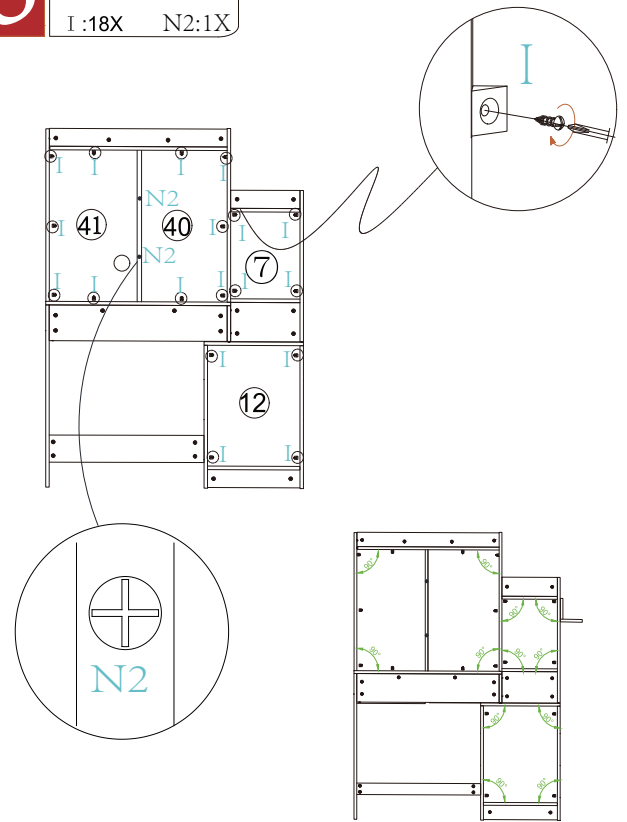


39

Assembly Manual

Home&Garden

33

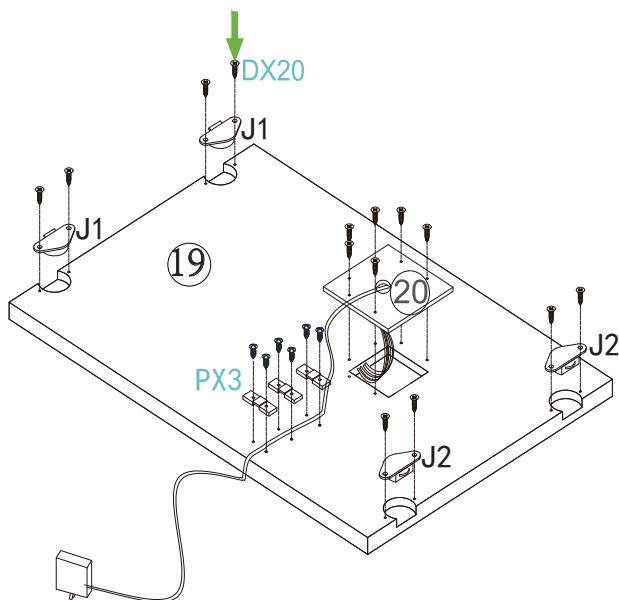


40

Assembly Manual

Home&Garden

34



41

Assembly Manual

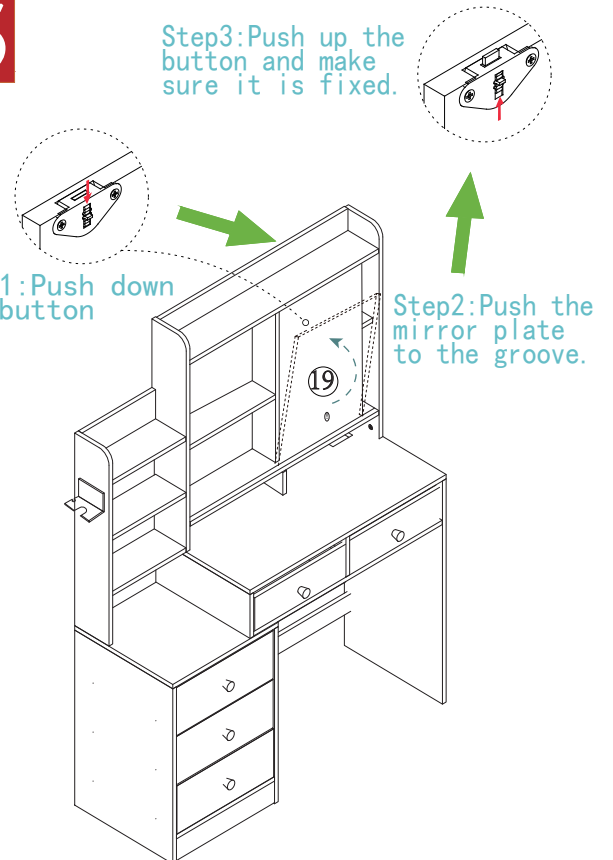
Home&Garden

35

Step 3: Push up the button and make sure it is fixed.

Step 1: Push down the button

Step 2: Push the mirror plate to the groove.



42

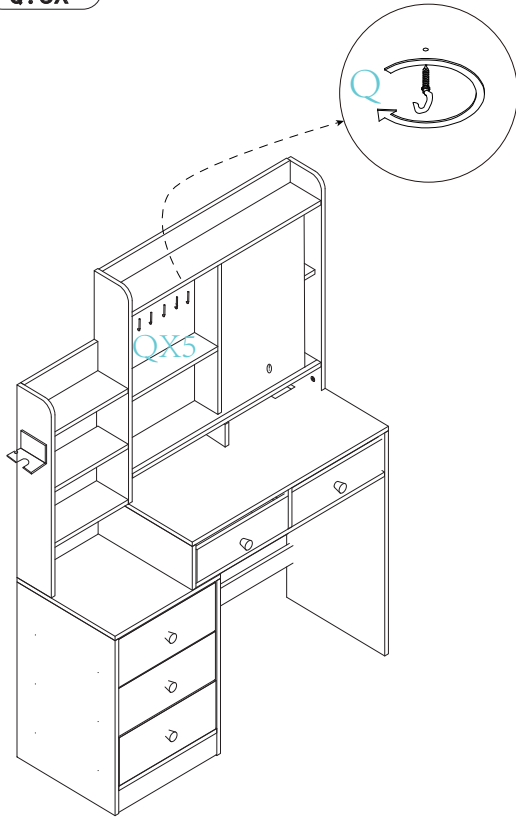
Assembly Manual

Home&Garden

36



Q: 5X

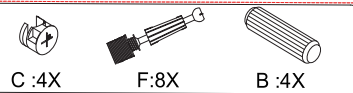


41

Assembly Manual

Home&Garden

37

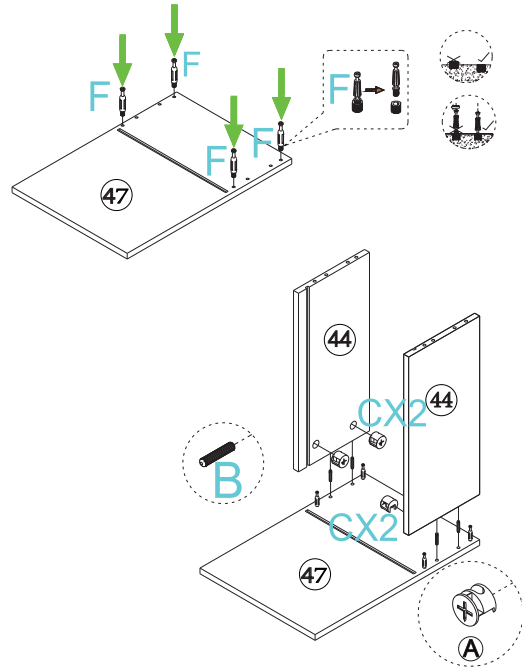


C: 4X

F: 8X

B: 4X

47X2

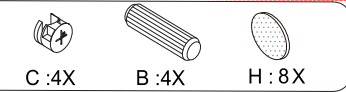


42

Assembly Manual

Home&Garden

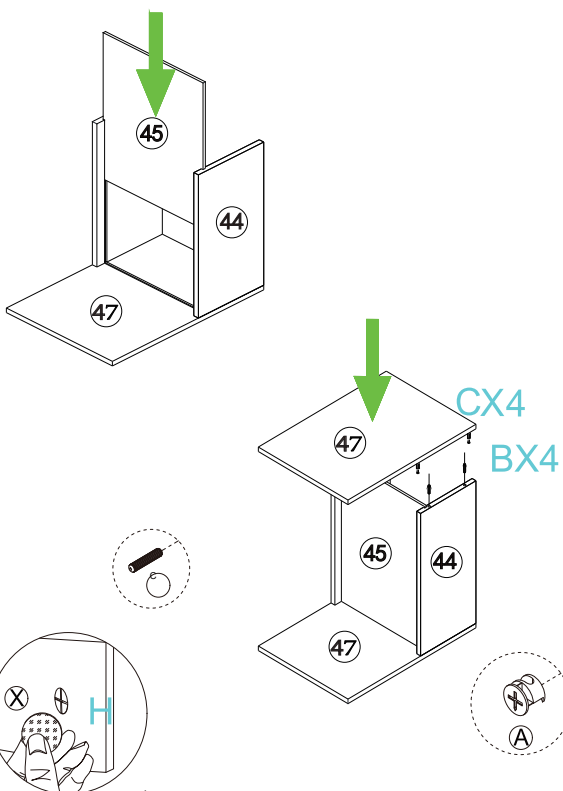
38



C: 4X

B: 4X

H: 8X

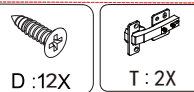


43

Assembly Manual

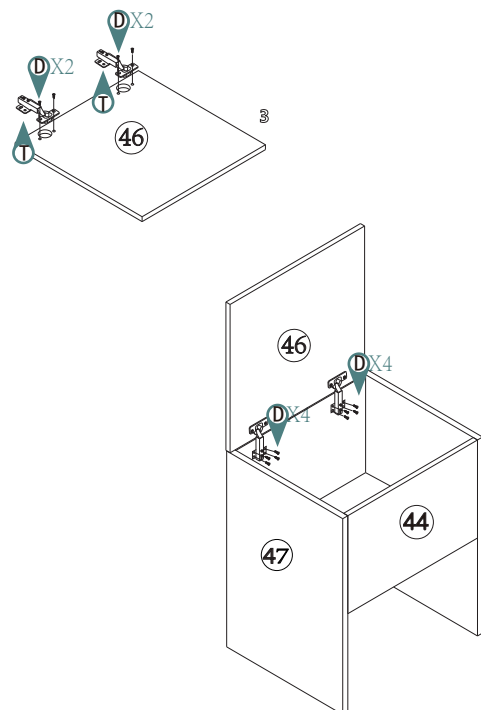
Home&Garden

39



D: 12X

T: 2X



44

40  0:1X

