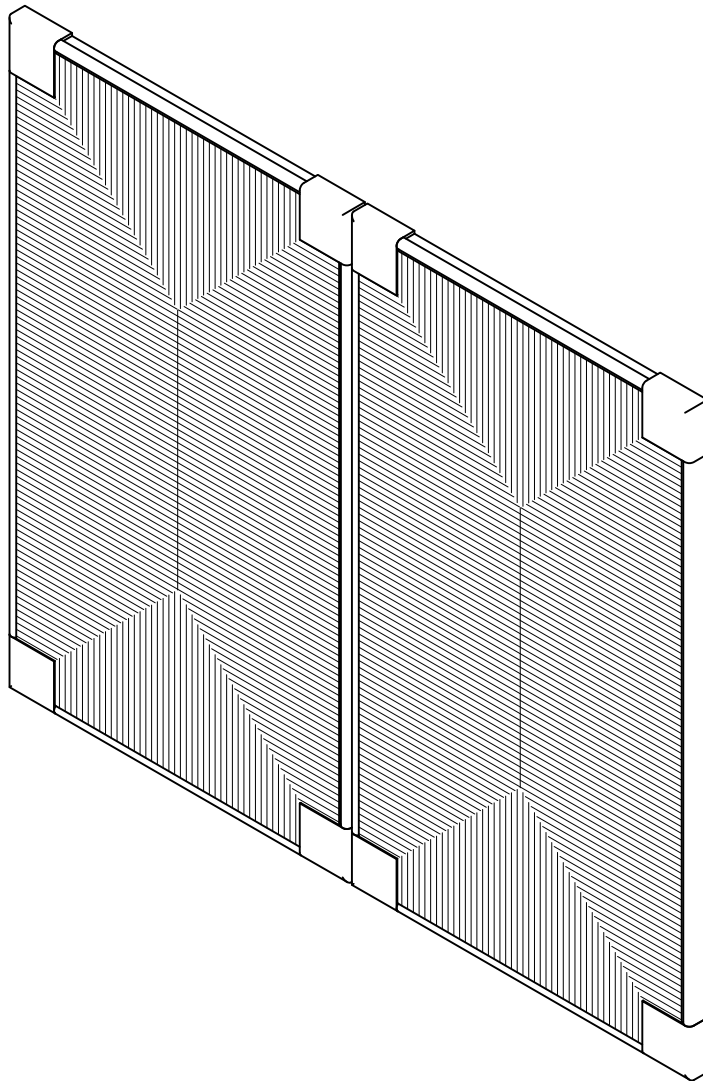


CASEWOOD STUDIOS

KOLENA DOOR SET BANANA FOR MODULAR
FT-STB05-07-03-01 / FT-STB05-07-03-02



ASSEMBLY INSTRUCTIONS

Introduction

Please read all instructions first.

All you need to assemble your unit is a Phillips screwdriver.

Before you begin, take some time to check all parts against the hardware and parts list on the next pages.

Please place all parts on a soft cloth or carpet to prevent scratching during assembly.



To avoid collapse or injury, DO NOT sit, stand or climb on this unit. DO NOT stack heavy objects on this unit. NEVER allow children to climb or hang on unit.

Care and Maintenance

Clean with a soft damp cloth.

Should a deep scratch or gouge occur, we recommend touch up with a matching paint or stain available in most hardware stores.

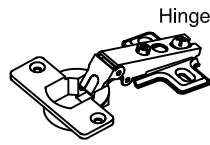
PARTS & HARDWARES

aa = 16 pcs
+1 Extra

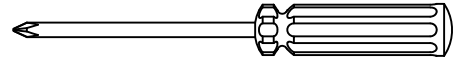
Wood Screw



bb = 4 pcs

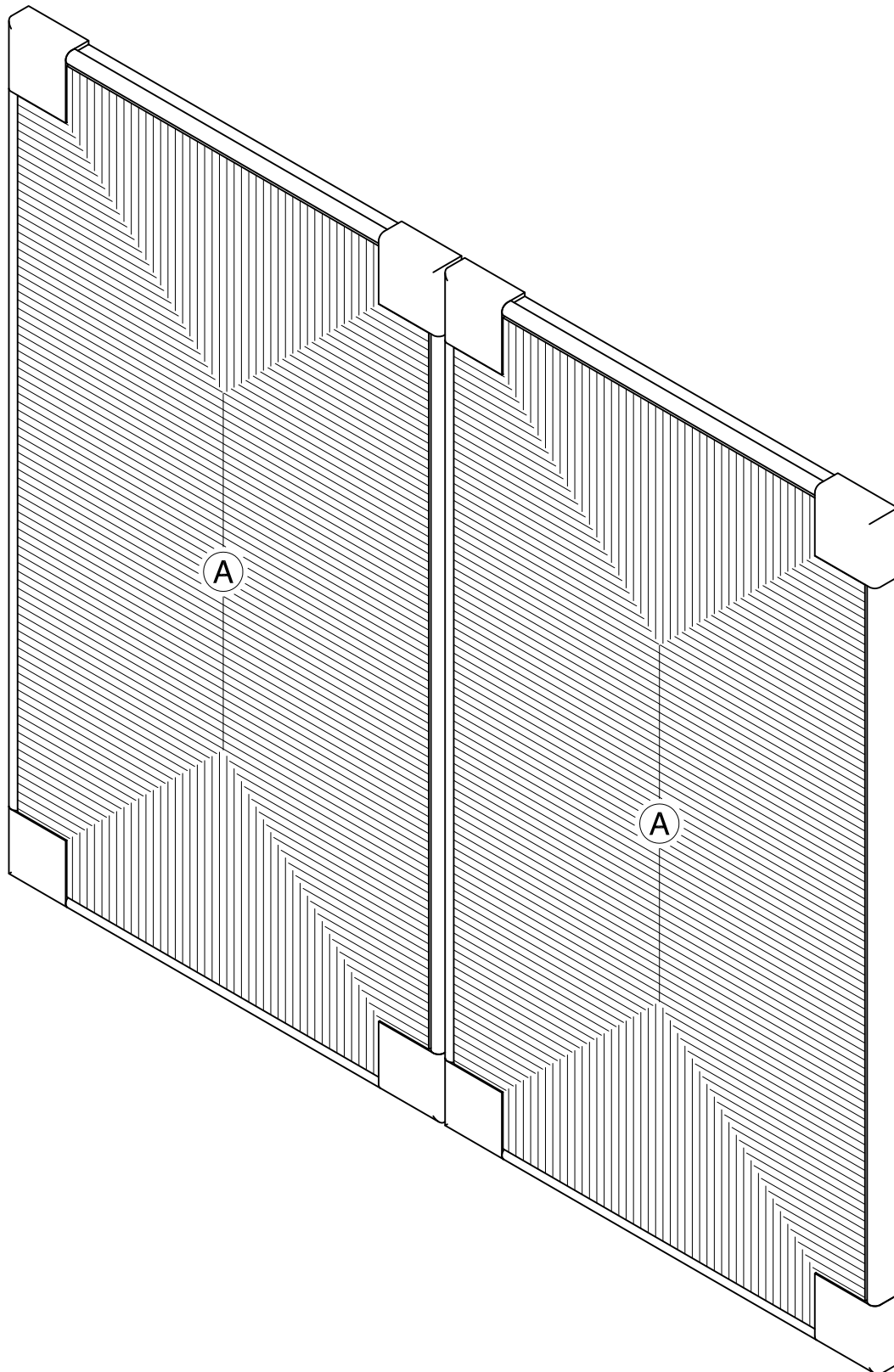


Hinge

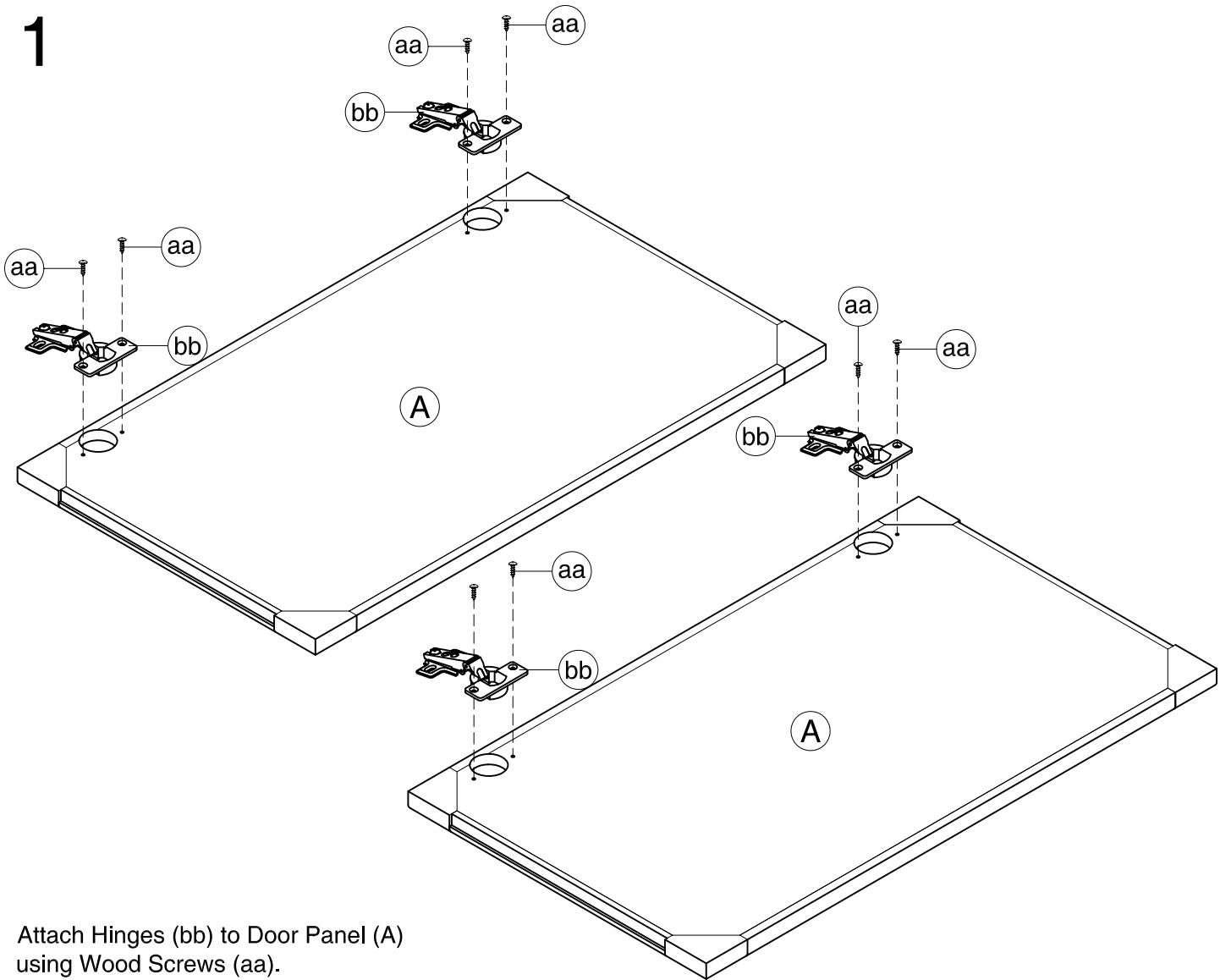


Tool Required (Not Included)

A. DOOR PANEL 2X

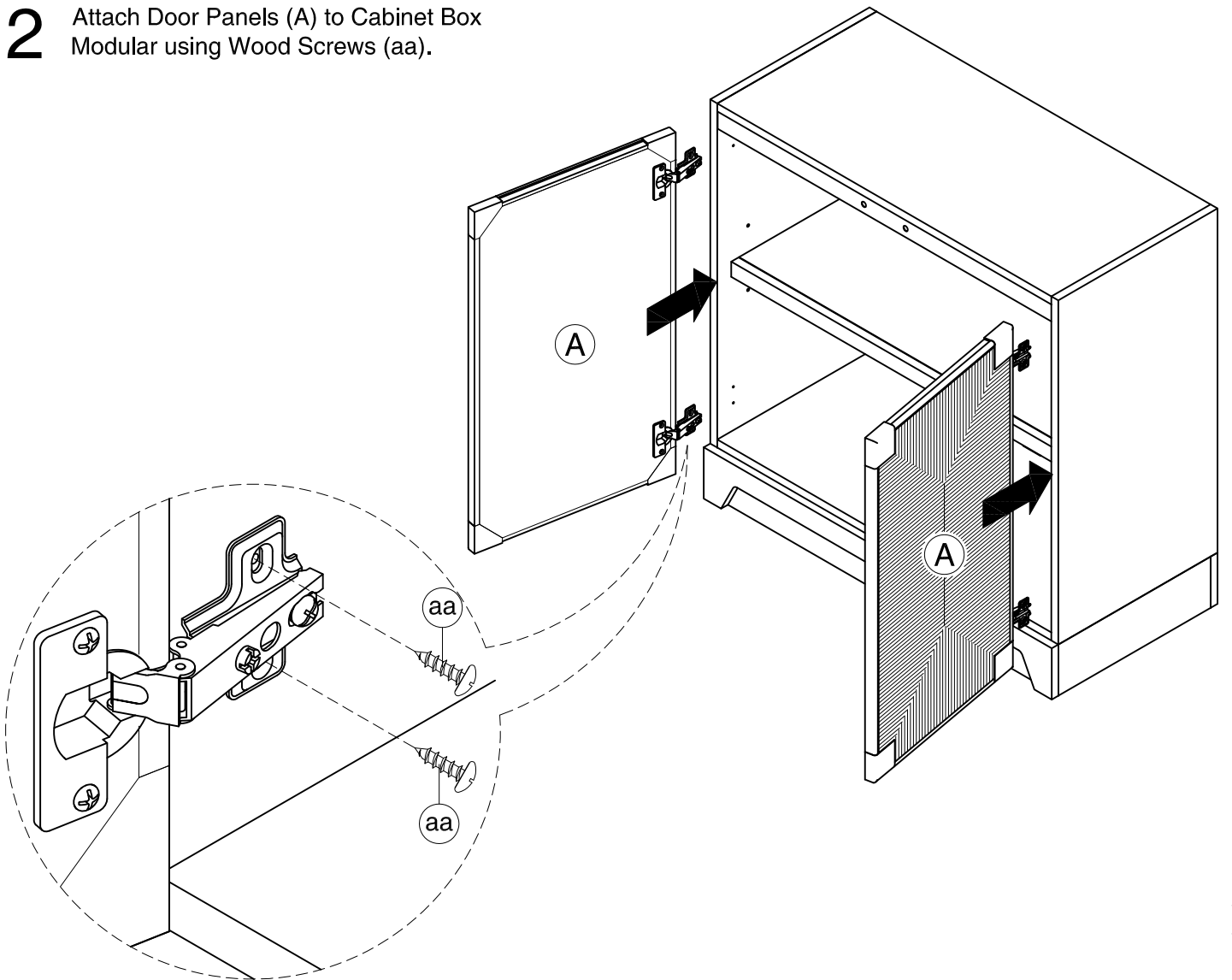


1



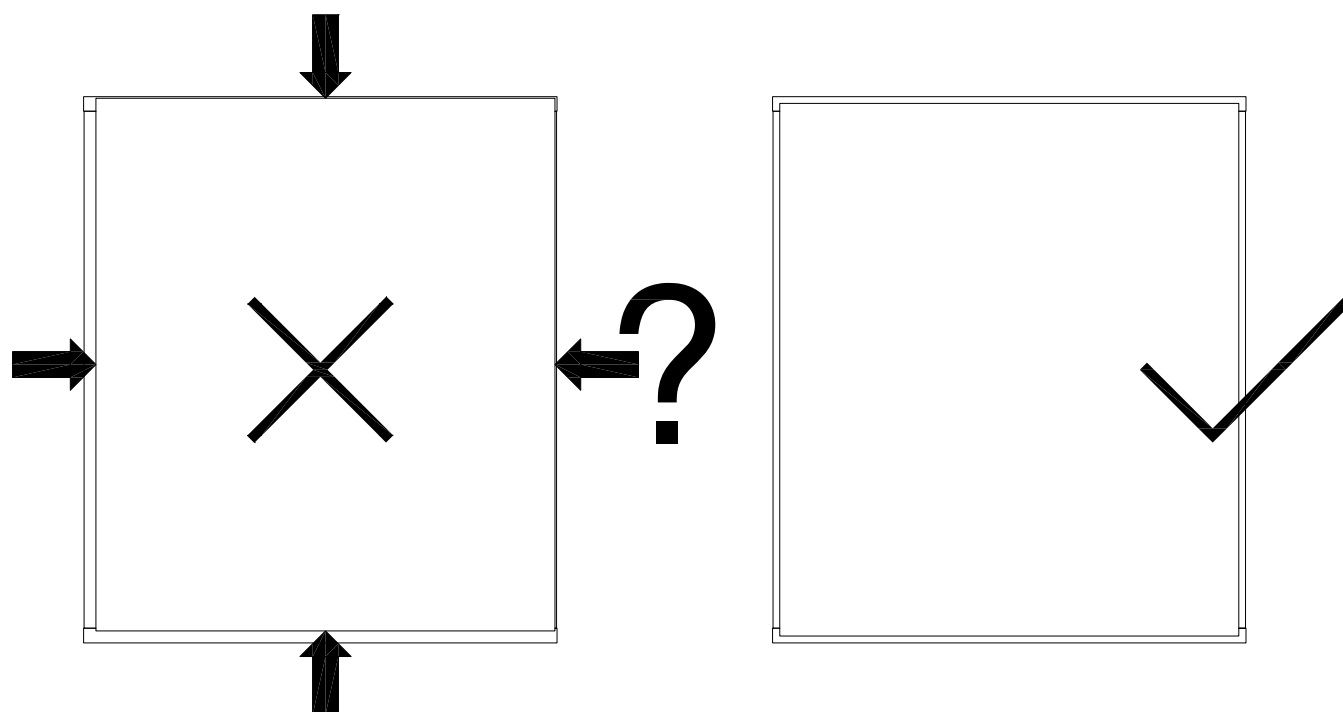
Attach Hinges (bb) to Door Panel (A) using Wood Screws (aa).

2 Attach Door Panels (A) to Cabinet Box Modular using Wood Screws (aa).



3

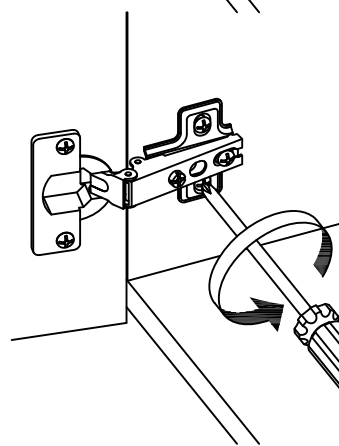
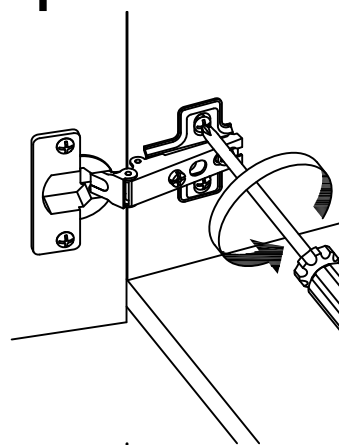
ADJUSTING THE DOORS



3.1. The gaps around the door should be balanced.

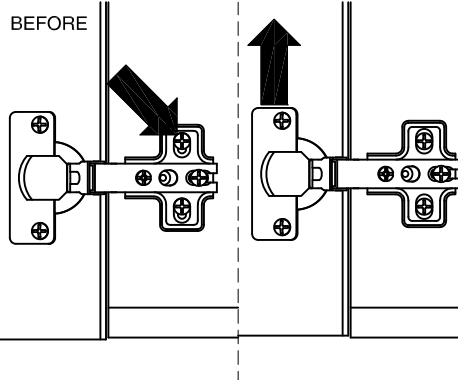
3.2. If gaps are not balanced, please follow steps 4 through 6

4

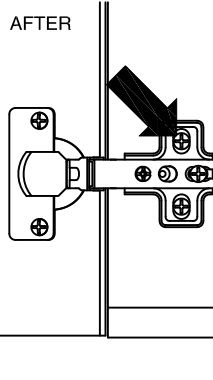


4.1. If the edge on the top or bottom are not balanced, loosen both hinge base screws.

BEFORE

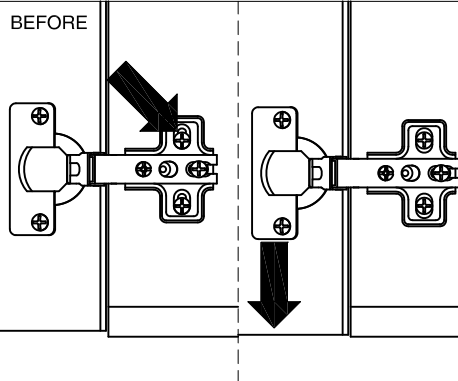


AFTER

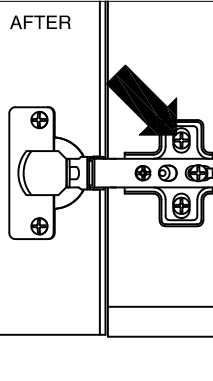


4.2.1. If the edge on the top is too wide then slide the door slightly to the top.

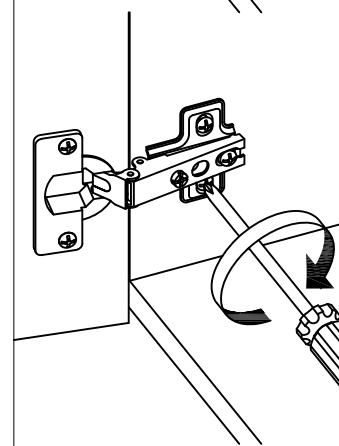
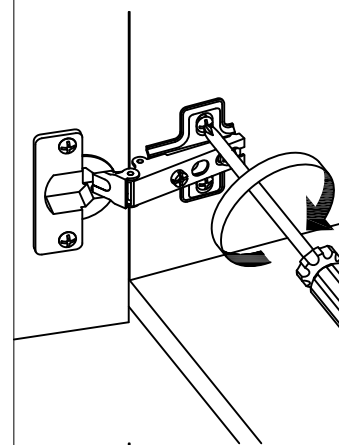
BEFORE



AFTER

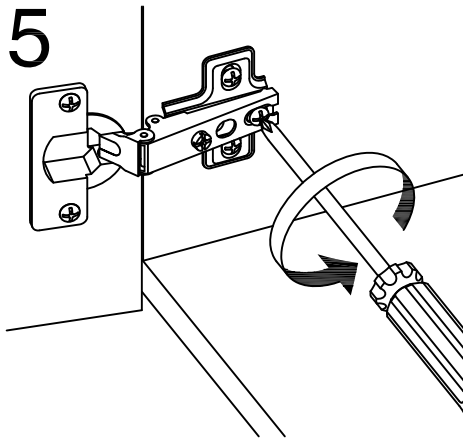


4.2.2. If the edge on the bottom is too wide then slide the door slightly to the bottom.

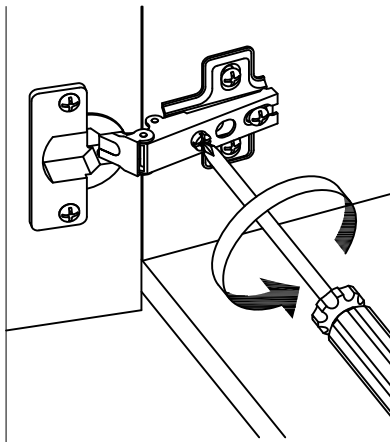


4.3. Tighten both hinge base screws.

5



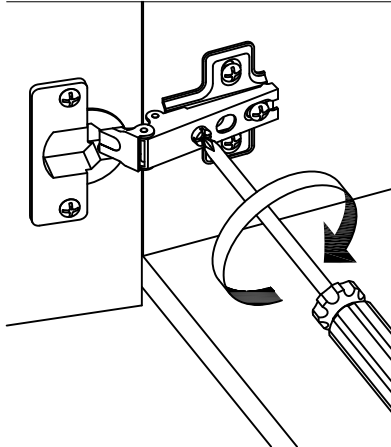
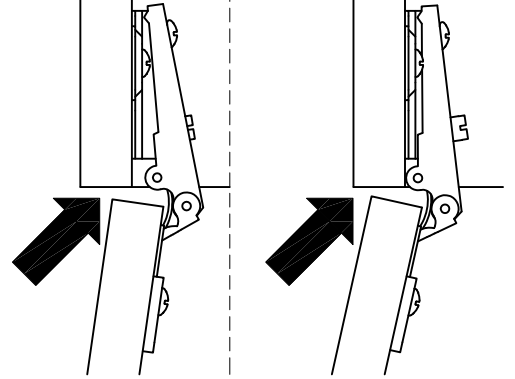
5.1. If the edge on the left or right are not balanced, loosen the back center screw.



5.2.1. If the edge on the left side is too wide, you will need to slide the door slightly to the left by turning the front center screw counterclockwise.

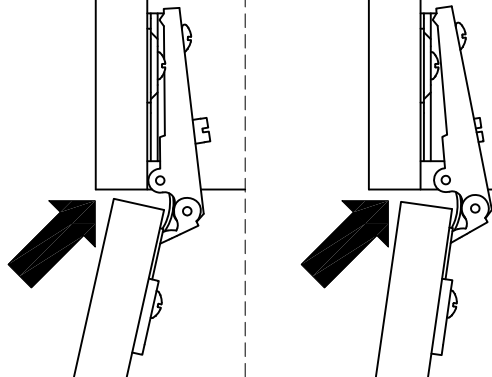
BEFORE

AFTER

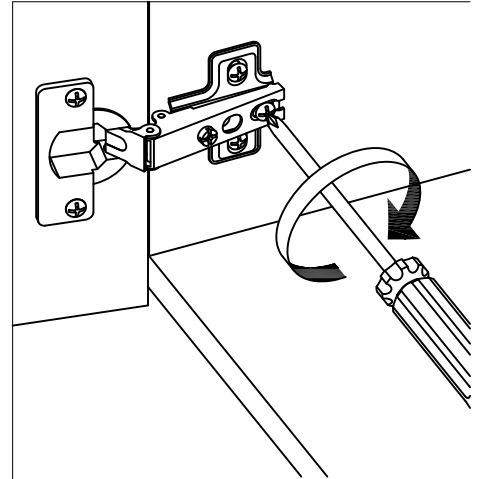


BEFORE

AFTER

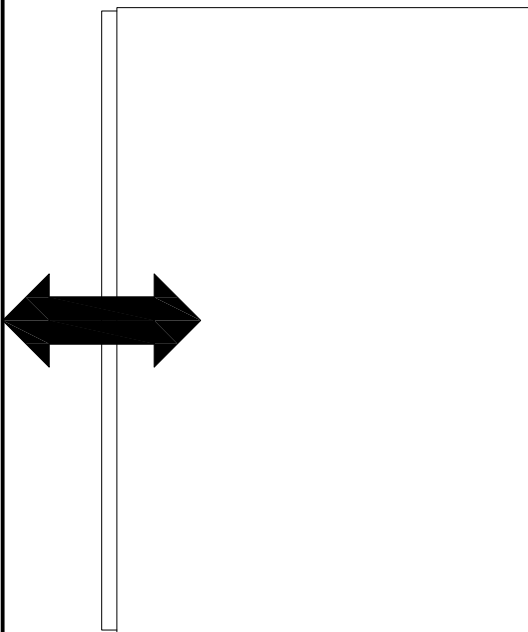


5.2.2. If the edge on the left side is too narrow, you will need to slide the doors slightly to the right by turning the front center screw counterclockwise.

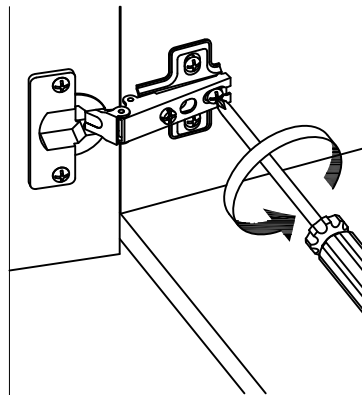


5.3. Tighten the back center screw.

6



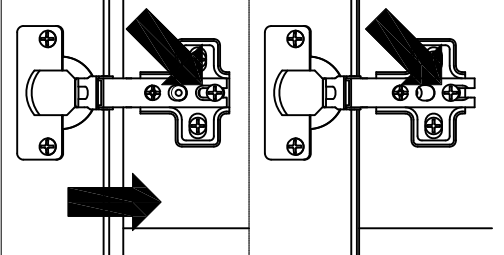
6.1. If you need to slide the door forward or backward, please follow this step.



6.2. Loosen the back center screw.

BEFORE

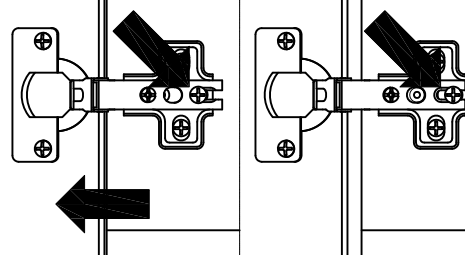
AFTER



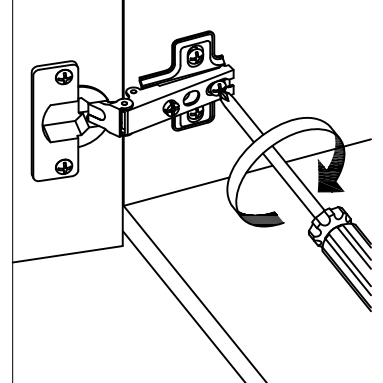
6.2.1. If you need to slide the door backward, push the door slightly.

BEFORE

AFTER



6.2.2. If you need to slide the door forward, pull the door slightly.



6.3. Tighten the back center screw.