



TFR23

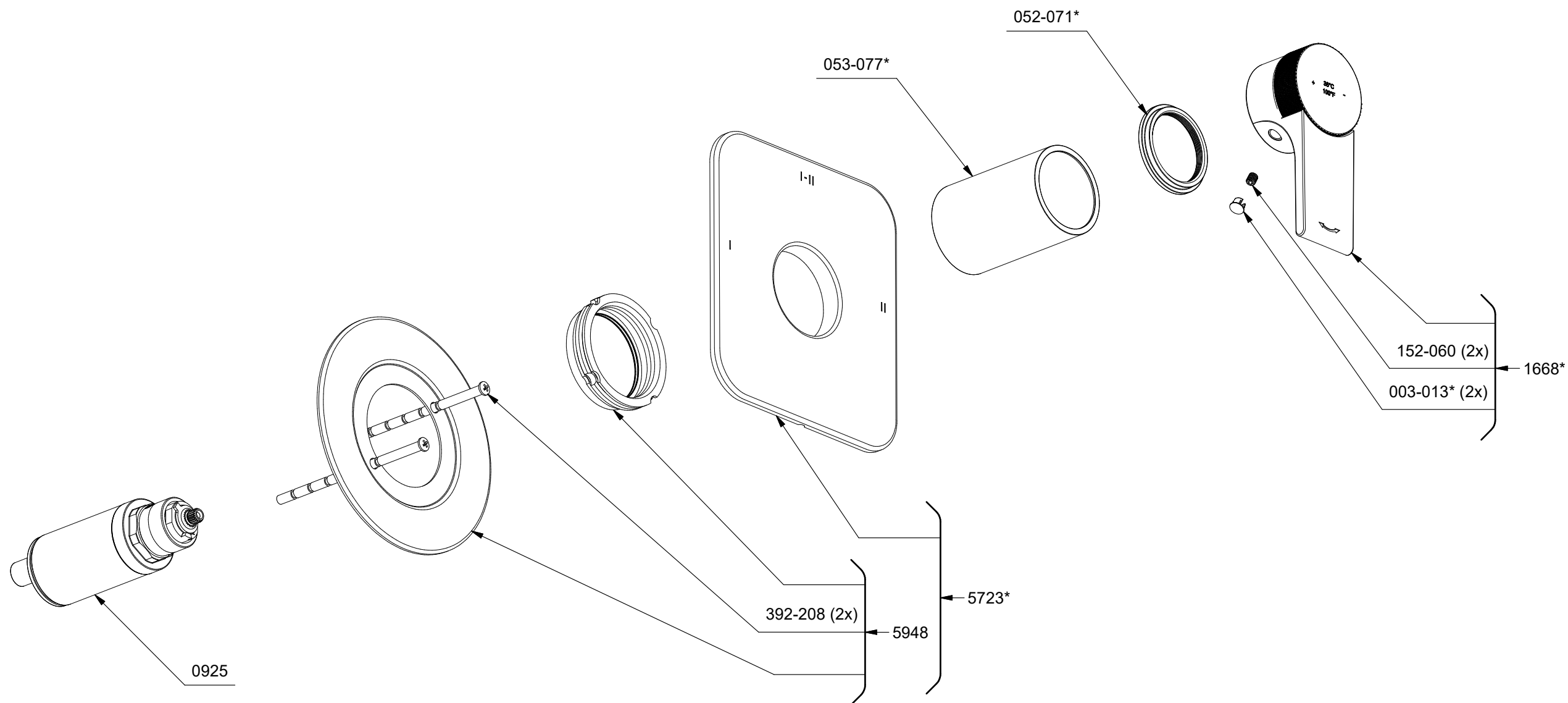
Fresk

2-way Type T/P coaxial valve trim

\*Les dimensions, les modèles et les finis présentés peuvent différer. / Sizes, models and finishes may differ from those presented.

\*Finish determined by Suffix

Finish	Description
C	Chrome
BN	Brushed Nickel



**TOOL :**

505-025 (Allen key 2.5mm)

