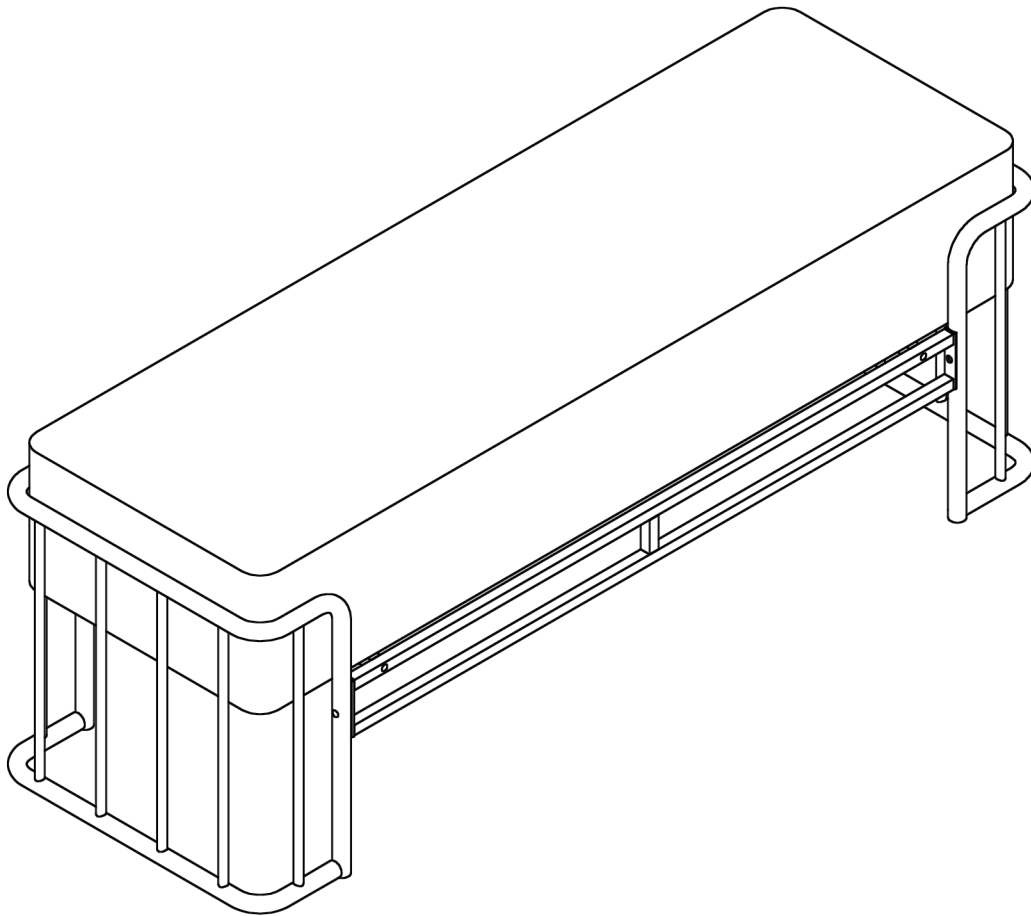


# Assembly Instructions



## ASSEMBLY RATING

The Assembly Rating is a 5-point system that shows the degree of effort needed in assembling a specific product (with 1 being easy and 5 being difficult). For some products, two persons are recommended.

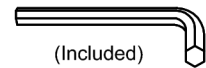
EASY



DIFFICULT

## Tools Required For Assembly:

Allen Wrench



(Included)



2 PERSONS RECOMMENDED

# ASSEMBLY & CARE ADVICE

FOR YOUR FURNITURE TO LAST, CORRECT ASSEMBLY AND PROPER MAINTENANCE ARE NECESSARY. PLEASE FOLLOW THE INFORMATION PROVIDED BELOW TO FULLY ENJOY YOUR FURNITURE.

## BASIC ASSEMBLY TECHNIQUES



When lock or spring washer is used in an assembly, please make sure the lock or spring washer is placed between the larger flat washer and the head of the screw or bolt.



Position each part correctly and insert screws or bolts into their respective holes by hand tighten or using the proper hand tool. Only tighten when step is completed or when instructed to do so.



Use cardboard or carpet area when assembling furniture to prevent scratches. Make sure the furniture rests on a flat and level surface with each leg evenly touching the floor.



Some furniture comes with height adjustment knobs underneath each leg. To lower or to raise each leg, you need to turn clockwise or counterclockwise, respectively.



Make sure all parts are properly aligned, then use the appropriate hand tool to completely tighten the bolts or screws. Do not use power tools and do not overtighten.

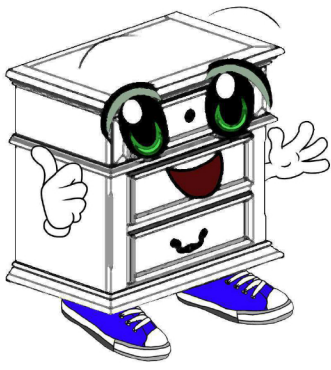


Save the instructions and store the Allen wrench or any supplied tool for later maintenance. After two weeks, check and tighten any loose hardware and repeat again every six months thereafter.

IT IS THE USER'S RESPONSIBILITY TO MAINTAIN THE FURNITURE. THE HARDWARE MAY LOOSEN OVER TIME AND MAY CAUSE THE FURNITURE TO BE WOBBLY AND UNABLE TO SUPPORT ITS INTENDED WEIGHT CAPACITY. THIS MAY LEAD TO COLLAPSE AND MAY CAUSE SERIOUS INJURY.

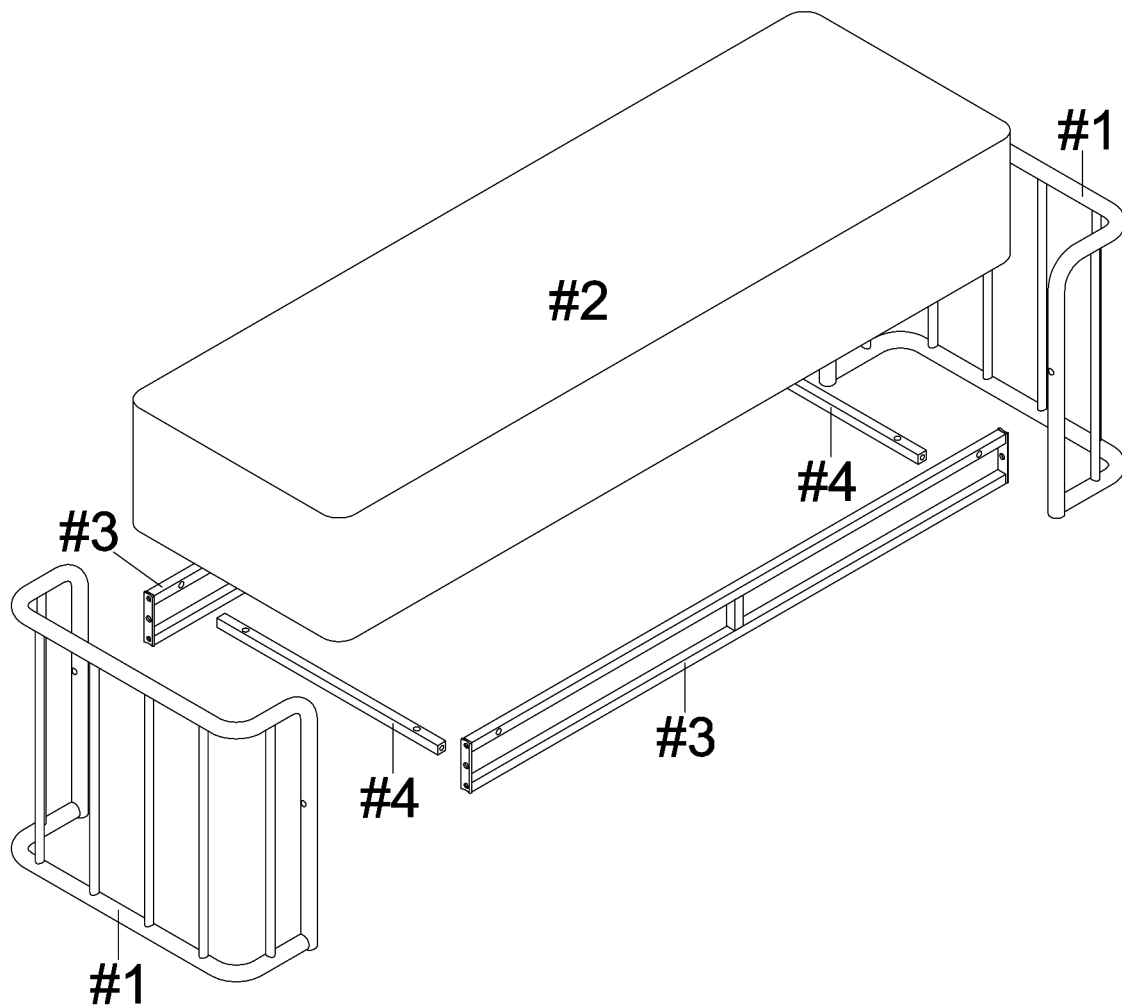


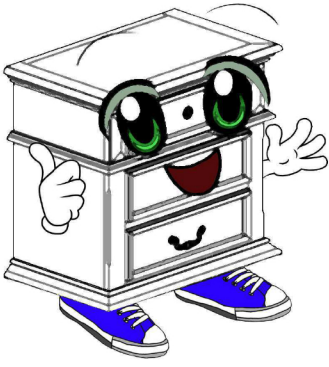
**FAILURE TO FOLLOW THE GUIDELINES ABOVE MAY RESULT IN INJURY AND/OR PROPERTY DAMAGE.**



Before you begin, please read Page 2 of "Assembly and Care Advice".

And remember, do not tighten until each step is completed or instructed.

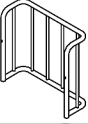
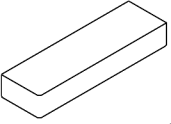
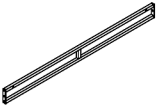








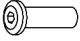
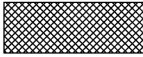
Before you begin, please read Page 2 of "Assembly and Care Advice".

And remember, do not tighten until each step is completed or instructed.

### Parts List

-  #1 x 2pcs  
Side Frame
-  #2 x 1pc  
Seat
-  #3 x 2pcs  
Connect Frame
-  #4 x 2pcs  
Connect Tube

### Hardware List

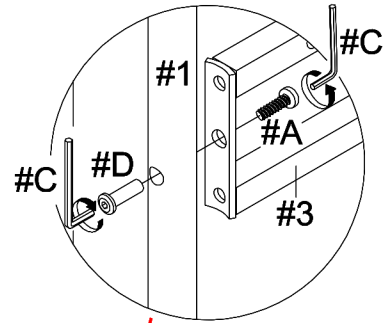
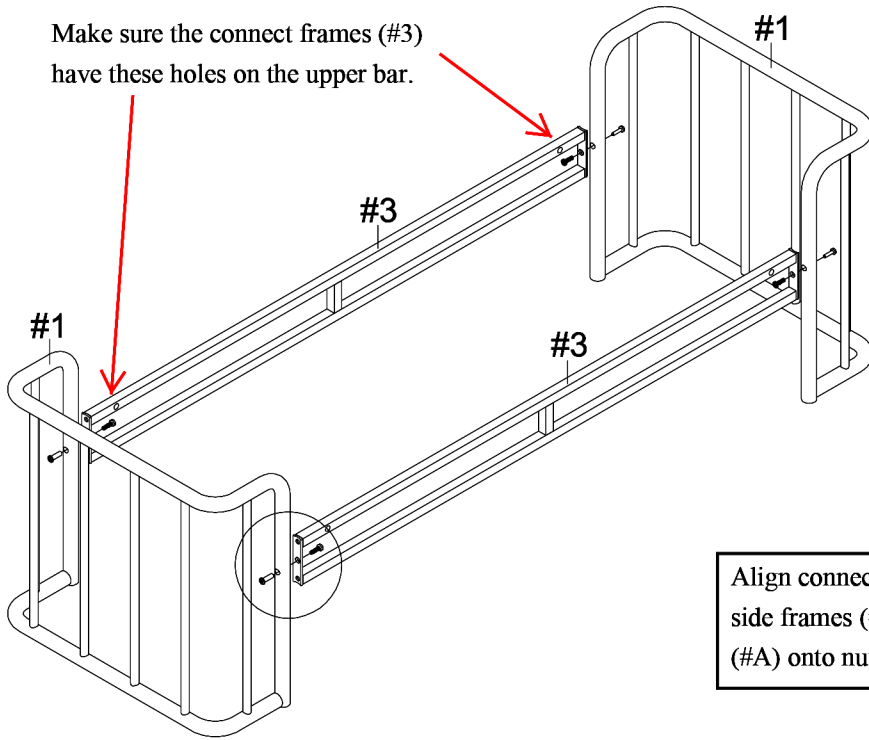
-  #A x 4pcs  
Bolt 1/4"x5/8"
-  #B x 8pcs  
Bolt 1/4"x1-3/8"
-  #C x 2pcs  
Allen Wrench M4
-  #D x 4pcs  
Nut M6x18
-  #E x 2pcs  
Floor Protector



#1

#A x 4pcs  
#D x 4pcs

Make sure the connect frames (#3)  
have these holes on the upper bar.

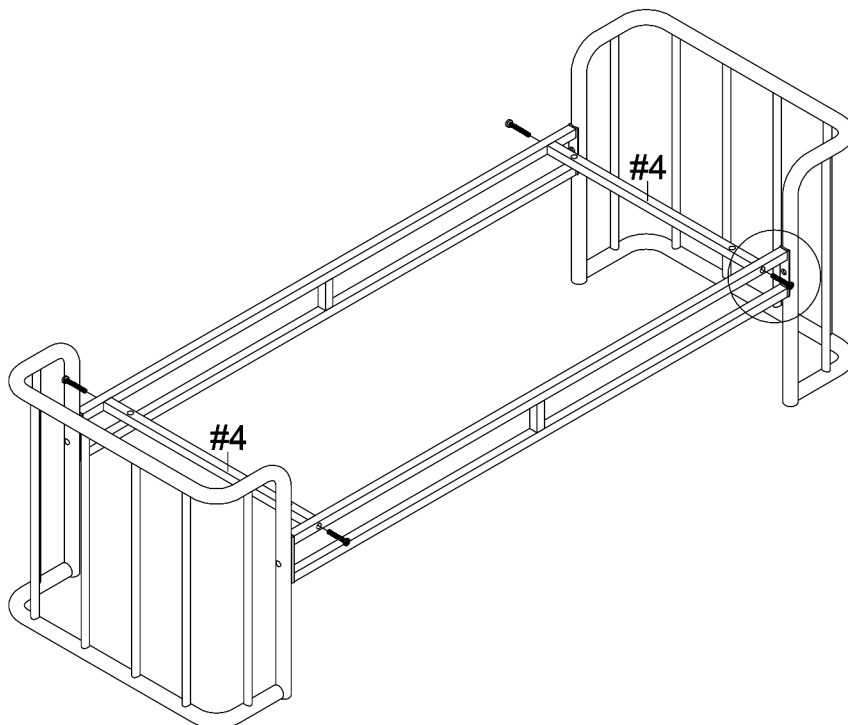


Align connect frame (#3) to the holes of the  
side frames (#1). Secure by inserting bolts  
(#A) onto nuts (#D) as shown in the picture.

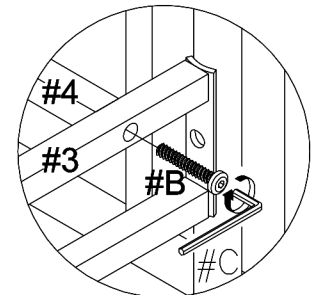


#2

#B x 4pcs



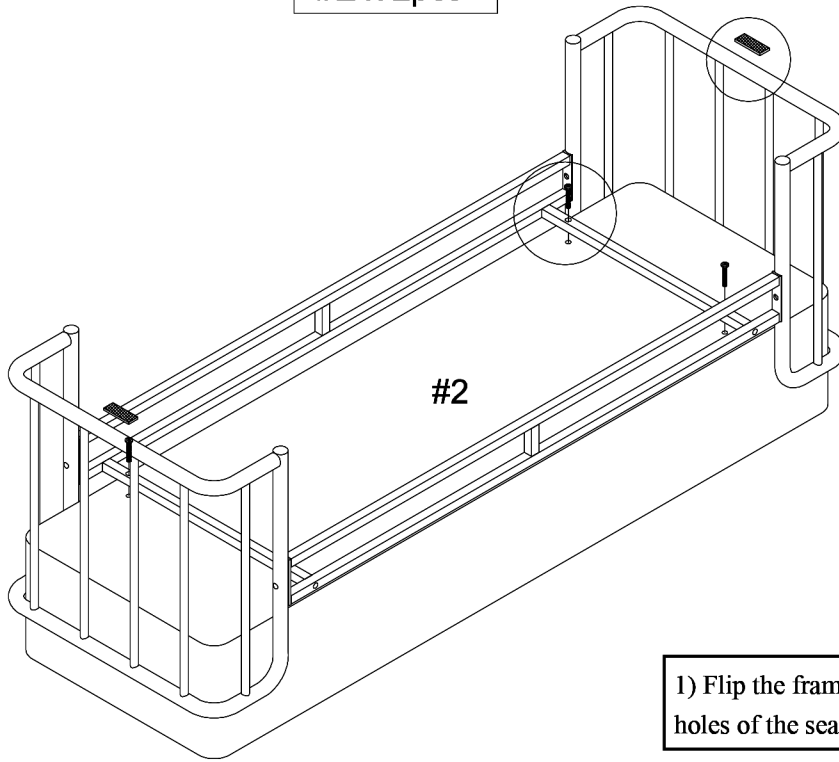
Align and connect the connect  
tubes (#4) to the holes of the  
connect frame (#3). Secure by  
using bolts (#B).





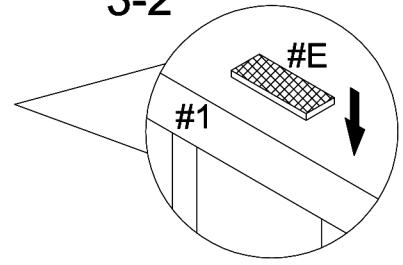
#3

#B x 4pcs  
#E x 2pcs

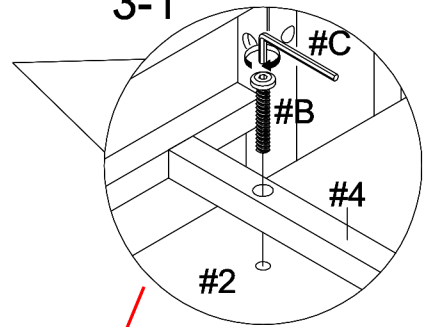


2) Attach floor protector (#E) to the side frames.

3-2



3-1



1) Flip the frame upside down, then align the frame to the holes of the seat (#2). Secure with bolts (#B).



#4

Assembly Completed

