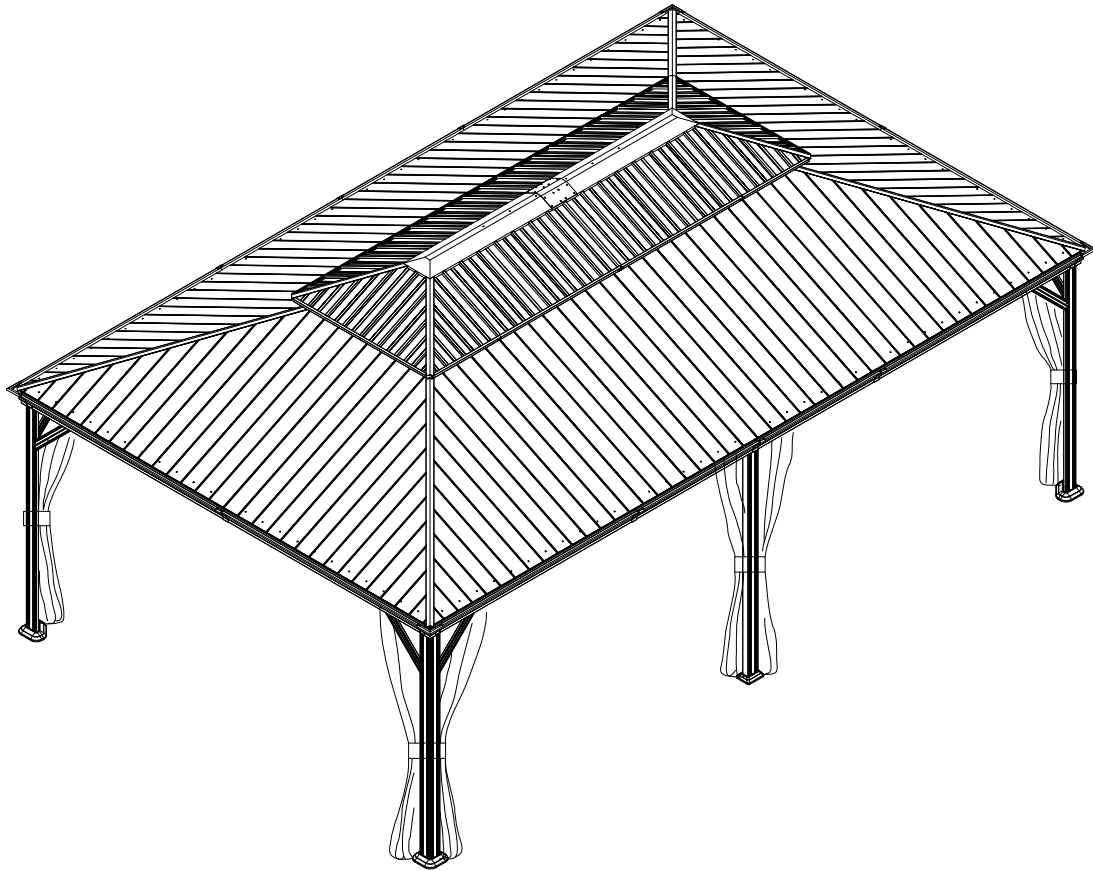




14' × 22' Metal Patio Gazebo with Resin Roof

ASSEMBLY MANUAL



MODEL#: LGMZ1729

Missing part? Damaged? Contact us via email at

service@domioutdoorliving.com

Pre-assembly



1. Two or more people are required for assembly.



2. You will need one or more stepladders.



3. Wearing protective gloves is recommended.



4. You may need a safety hat.



5. Please use a Phillips screw driver.



6. For ease of construction, you may need a drill.



7. You may need a safety goggle.



8. Do not fully tighten screws prior to complete assembly.

Warning & Attention

-Try to assemble this product on the flat ground, otherwise it is difficult to carry out;

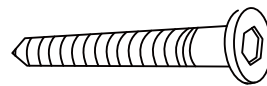
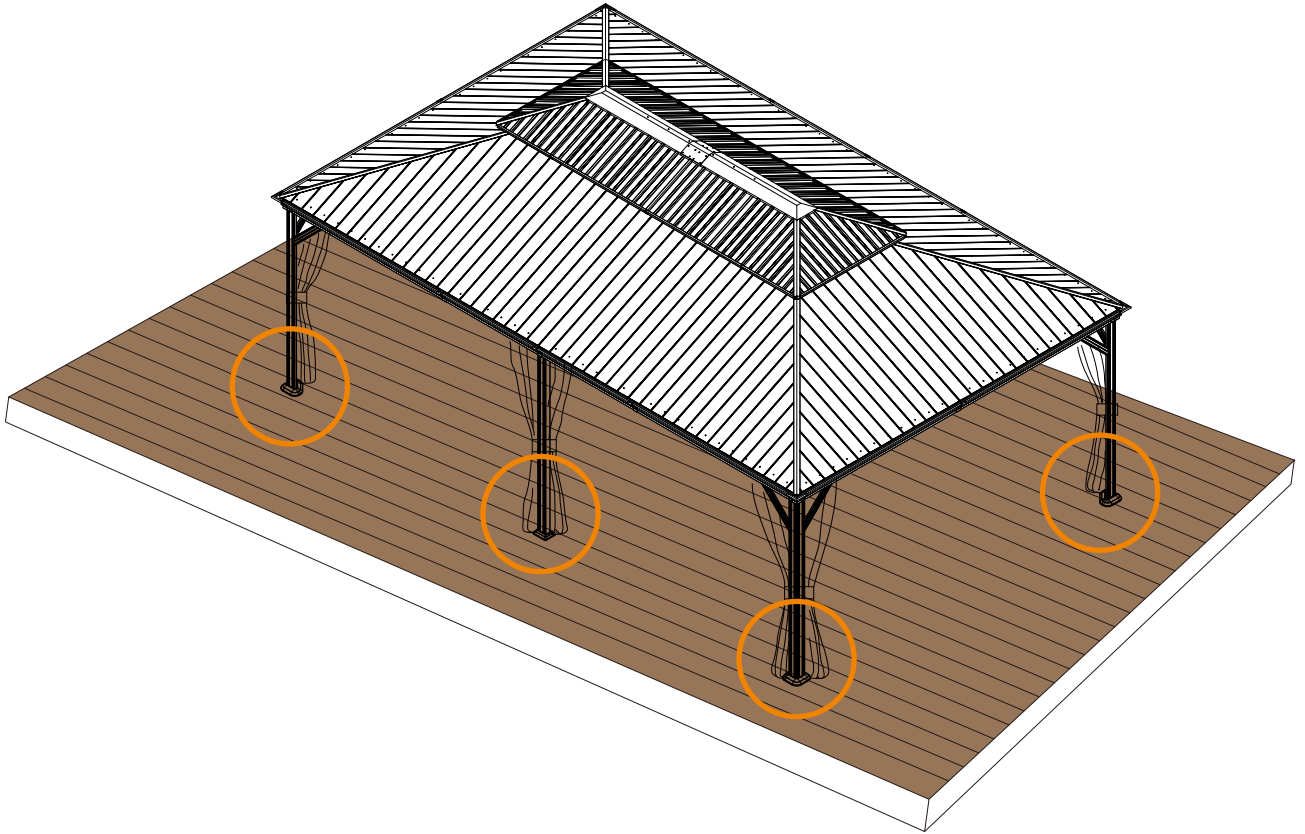
-It would be much easier to assemble the product with three or more people;

-After assembly, please check whether all screws are tightened, to prevent parts from falling apart.

▲ Use bolts to secure the frame to the ground to against the strong wind.

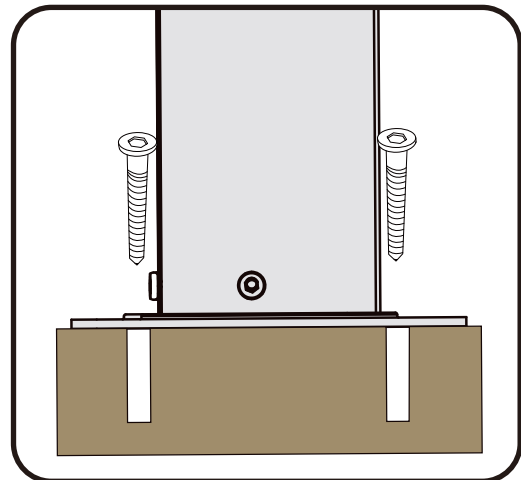
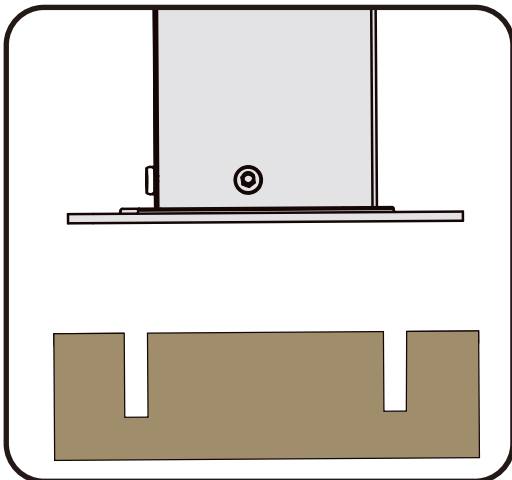
IMPORTANT: A gaze may entail to purchase a municipal permit or be subject to specific building codes. It is the consumer's responsibility to inform themselves of any restrictions.

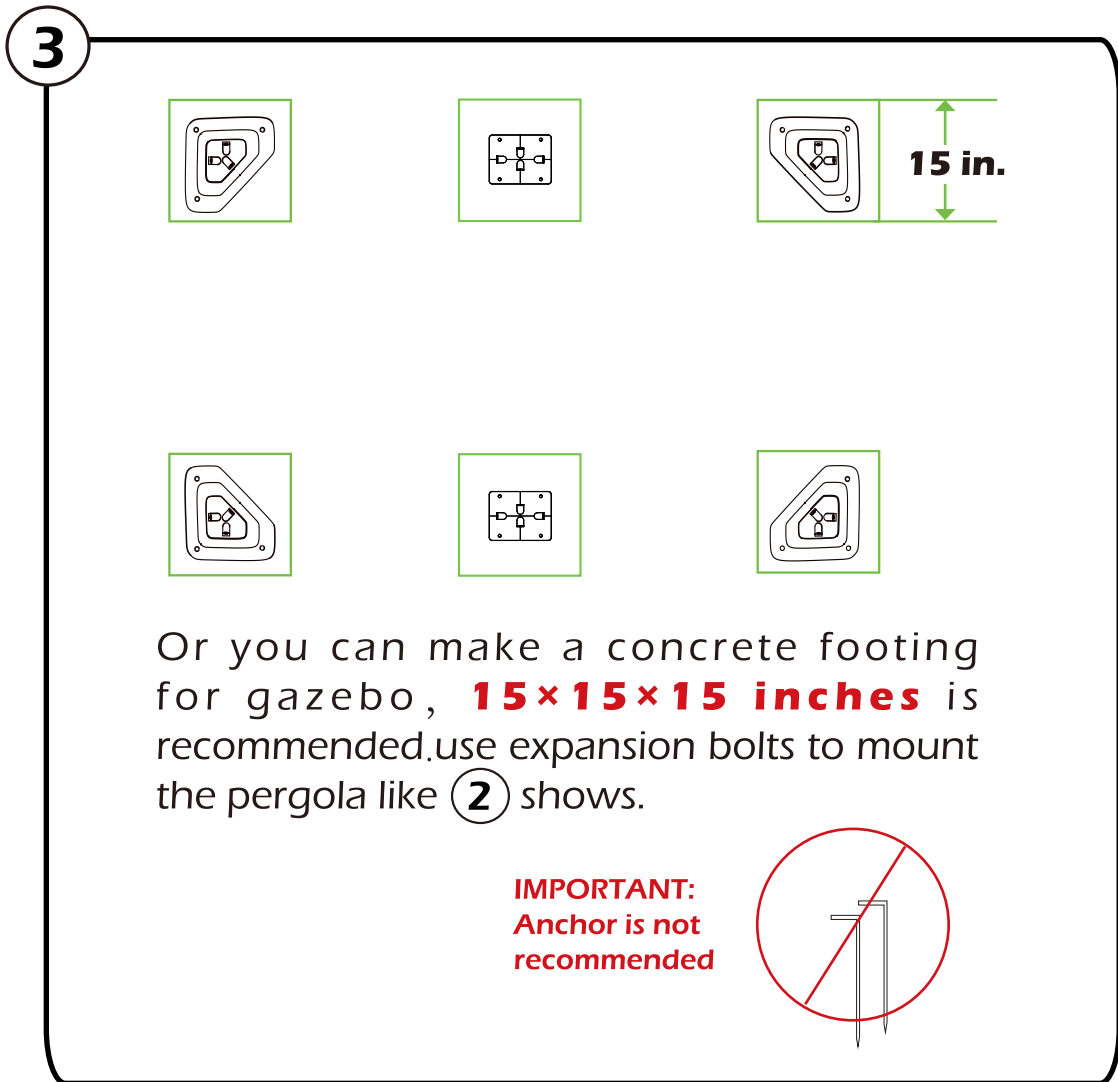
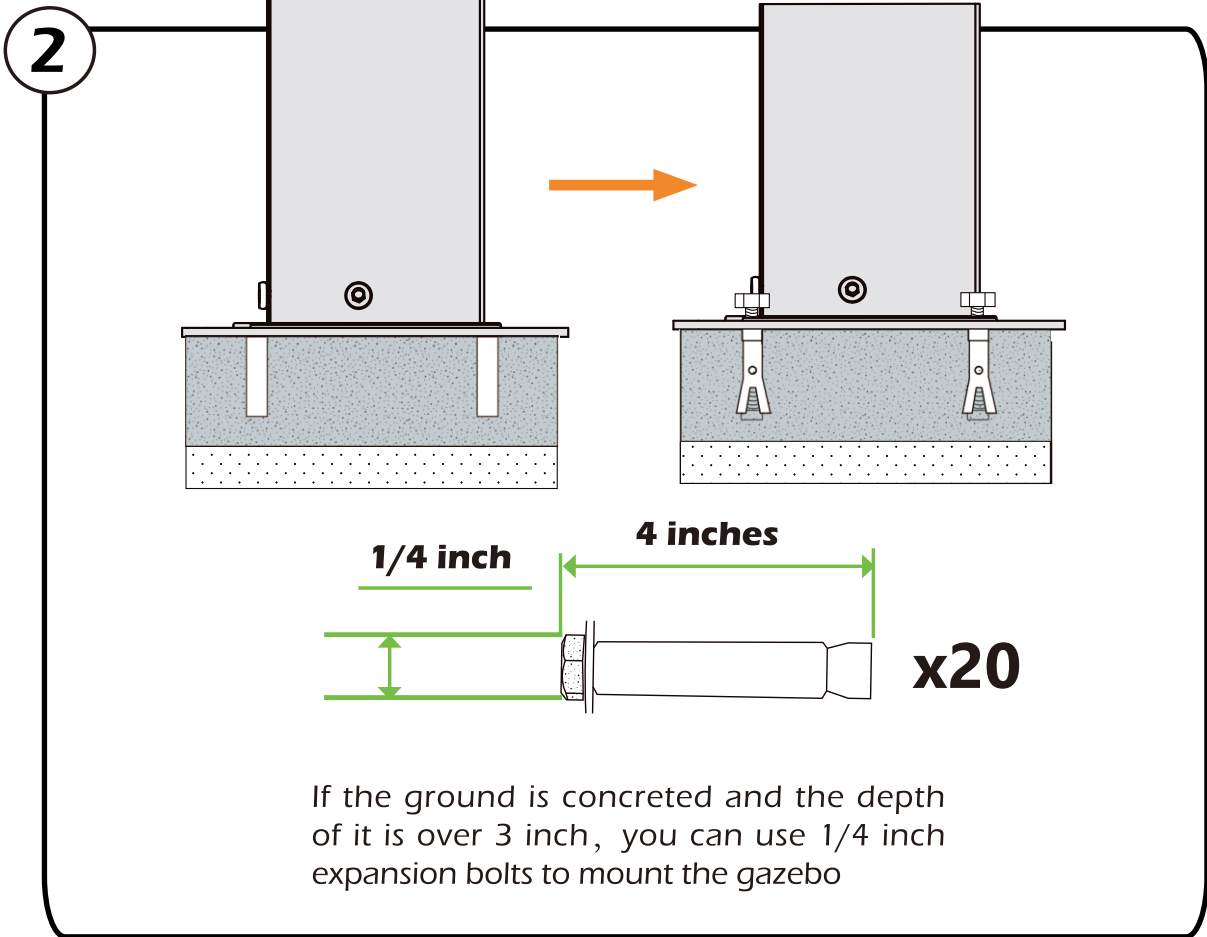
1



x20

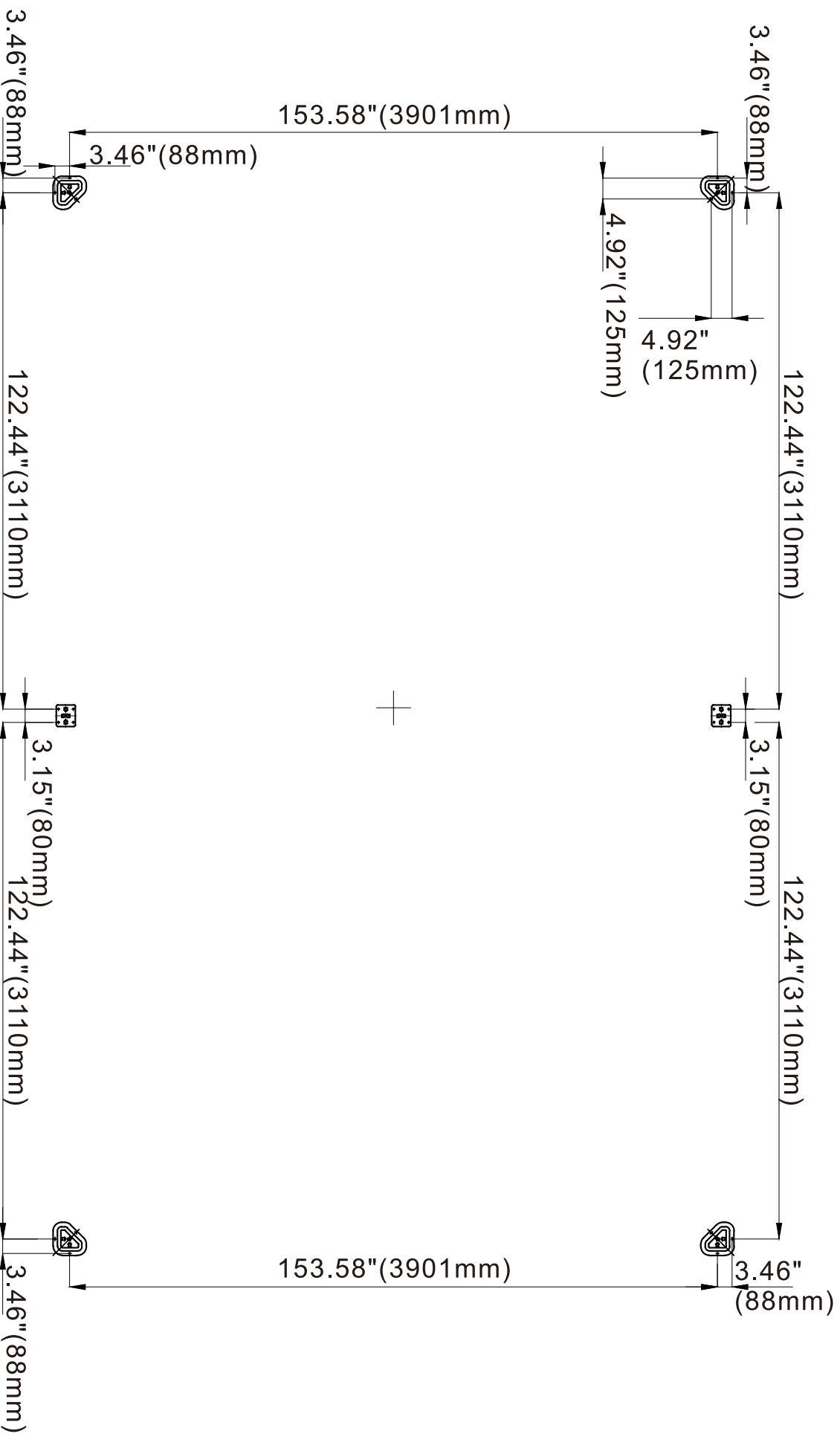
If the deck is hard wood and the depth of it is over 3 inch, you can use **5/16 in. x4 in. Structural Wood Screw** to mount the gazebo.

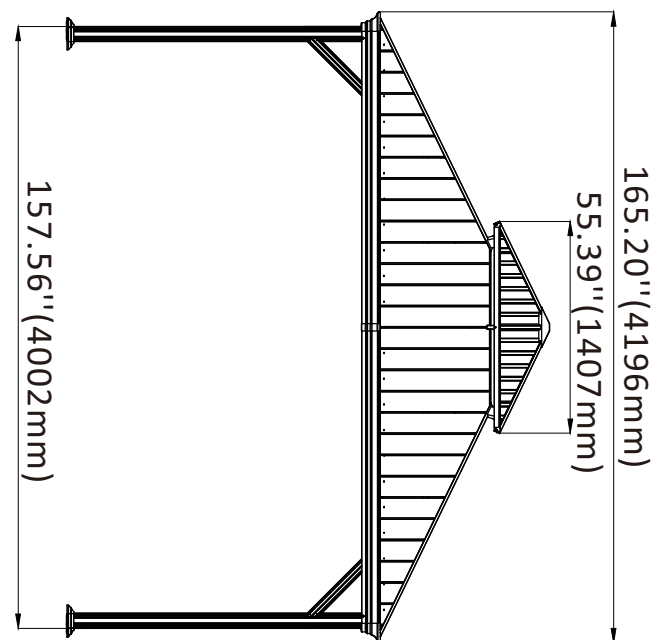
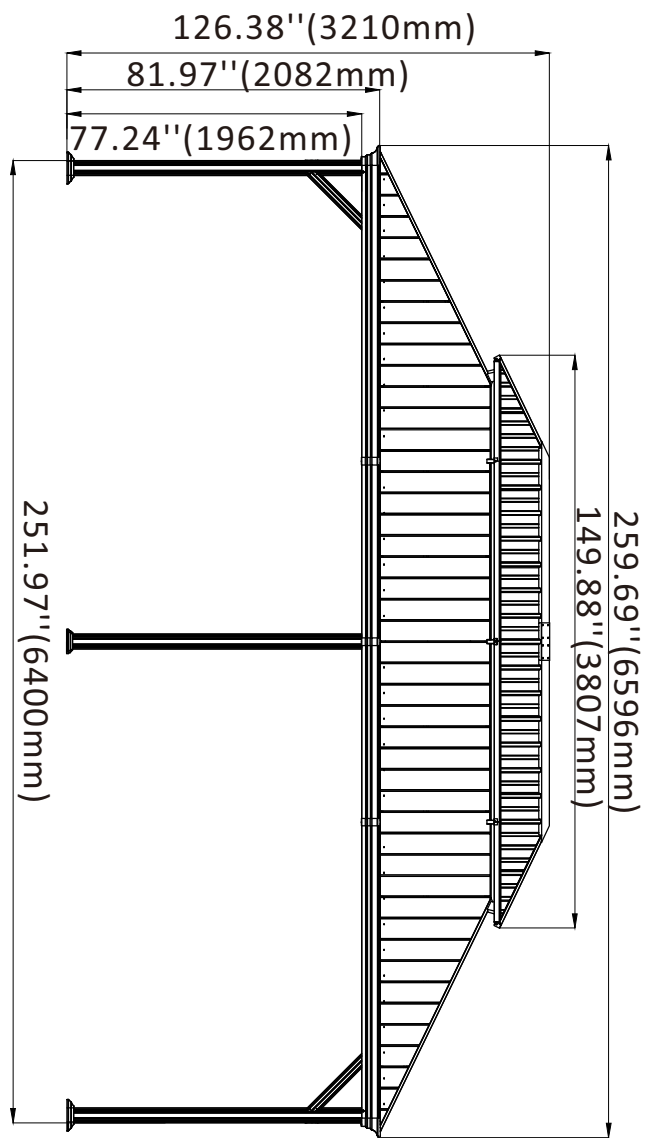
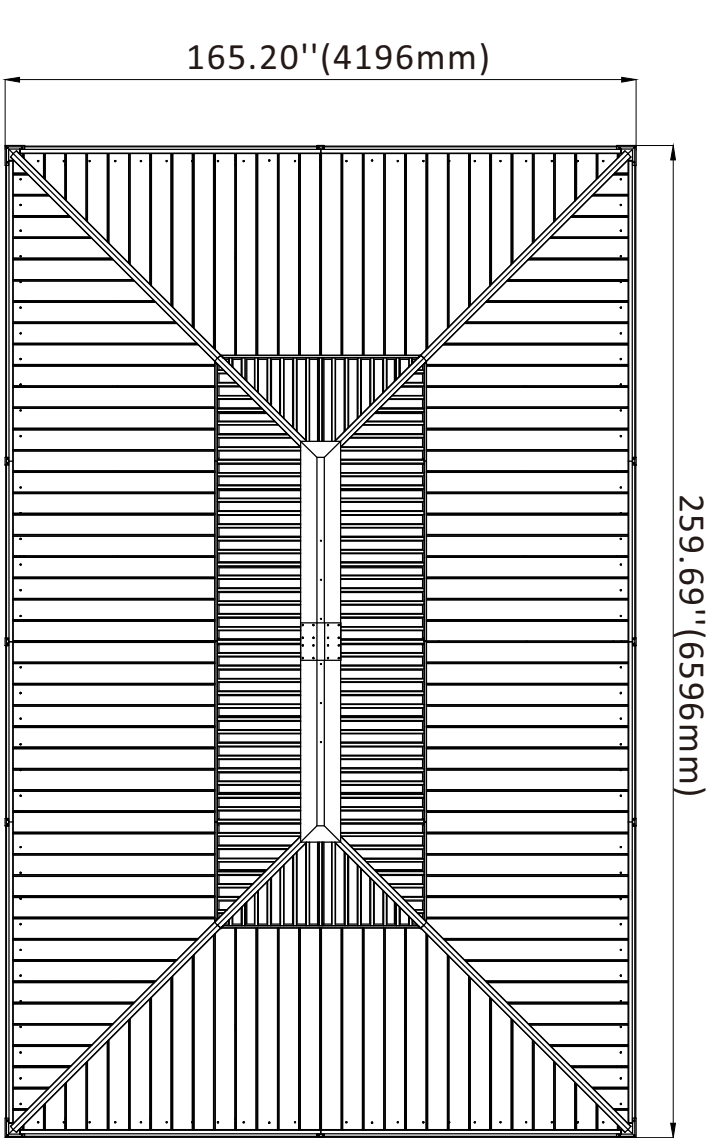









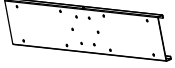
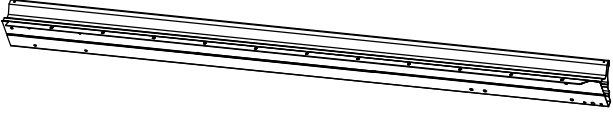
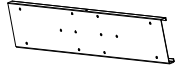
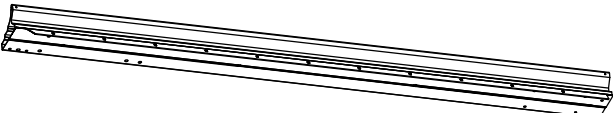
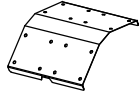
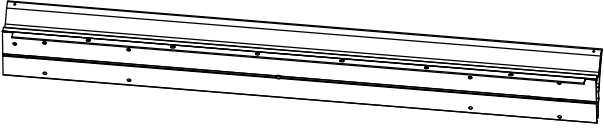







MOUNTING BLUEPRINT

Gazebo 14X22





| | |
|---|--|
|  <p>Pole</p> <p>A (x4)</p> |  <p>Sidewall Track</p> <p>D1 (x4)</p> |
|  <p>Pole</p> <p>B (x2)</p> |  <p>Sidewall Track</p> <p>D2 (x2)</p> |
|  <p>Beam</p> <p>C1 (x2)</p> |  <p>Sidewall Track</p> <p>D3 (x2)</p> |
|  <p>Beam</p> <p>C2 (x2)</p> |  <p>Union Bar</p> <p>E (x6)</p> |
|  <p>Beam</p> <p>C3 (x2)</p> |  <p>Union Bar</p> <p>E0 (x2)</p> |
|  <p>Beam</p> <p>C4 (x2)</p> |  <p>Outside Roof Cover Connector</p> <p>E1 (x1)</p> |
|  <p>Beam</p> <p>C5 (x2)</p> |  <p>Solidifying Bar</p> <p>E2 (x1)</p> |
|  <p>Beam</p> <p>C6 (x2)</p> |  <p>Outside Roof Cover</p> <p>E3 (x2)</p> |
|  <p>Sidewall Track</p> <p>D (x4)</p> |  <p>Corner Roof Cover</p> <p>F (x4)</p> |



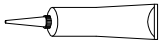
Joint Cover

G (x8)



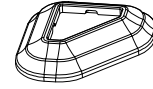
Base

K (x4)



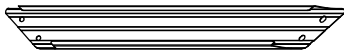
Silicone Sealant

H (x1)



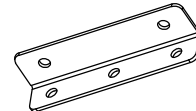
Base Cover

K1 (x4)



Corner Solidifying Bar

I1 (x4)



Bracket

K2 (x8)



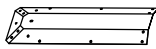
Corner Solidifying Bar

I2 (x4)



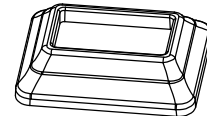
Base

K3 (x2)



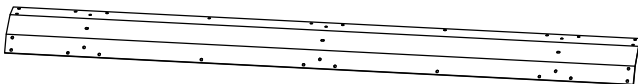
Inside Roof

J (x2)



Base Cover

K4 (x2)



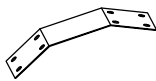
Inside Roof

J1 (x1)



Corner Roof
Tube Connector

M (x4)



Inside Roof
Cover Connector

J2 (x2)



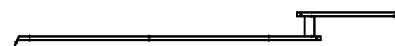
Corner Roof Tube

M1 (x4)



Solidifying Bar

J3 (x4)



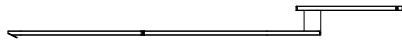
Middle Roof Tube

N (x2)



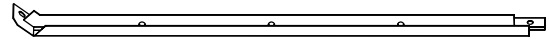
Middle Roof Tube

N1 (x4)



Middle Roof Tube

N2 (x2)



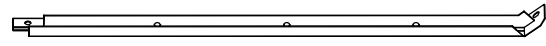
Finishing Bar

T1 (x2)



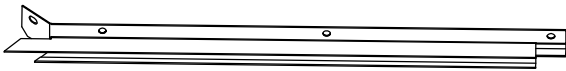
Finishing Bar

P (x2)



Finishing Bar

T2 (x2)



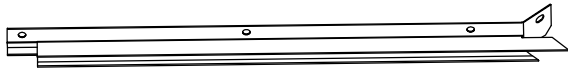
Finishing Bar

L1 (x2)



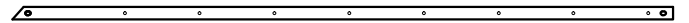
Finishing Bar

T3 (x4)



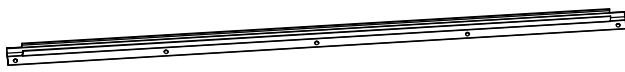
Finishing Bar

L2 (x2)



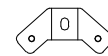
Solidifying Bar

U1 (x8)



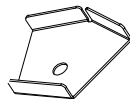
Finishing Bar

L3 (x4)



Bracket

U3 (x4)



Solidifying End

Q (x8)



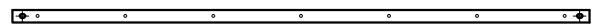
Bracket

U4 (x8)



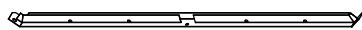
Solidifying End

Q1 (x6)



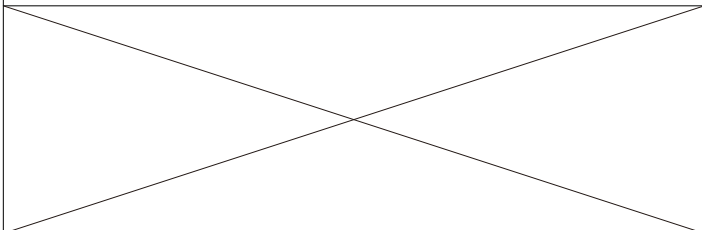
Solidifying Bar

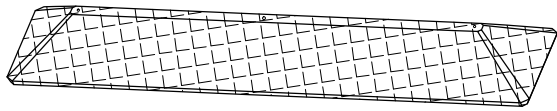
U5 (x4)



Finishing Bar

T (x2)





Small Mesh

0 (x1)



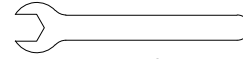
x1

Allen Key



Plastic Bar

01 (x2)



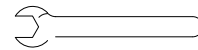
x1

Wrench



Plastic Bar

02 (x2)



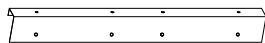
x1

Wrench



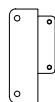
Plastic Bar

03 (x4)



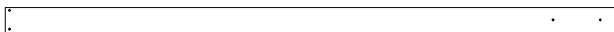
Middle Support Tube Connector

04 (x2)



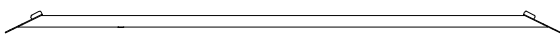
Bracket

05 (x2)



Middle Support Tube

06 (x2)




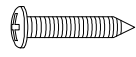

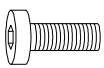
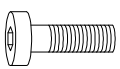
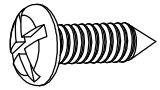

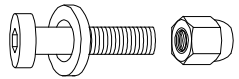
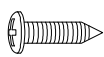
Solidifying Bar

07 (x3)

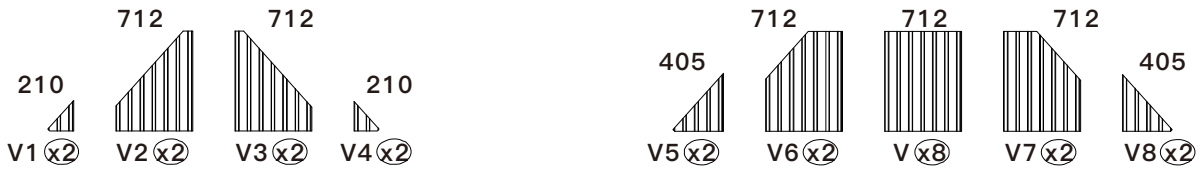


Hooks

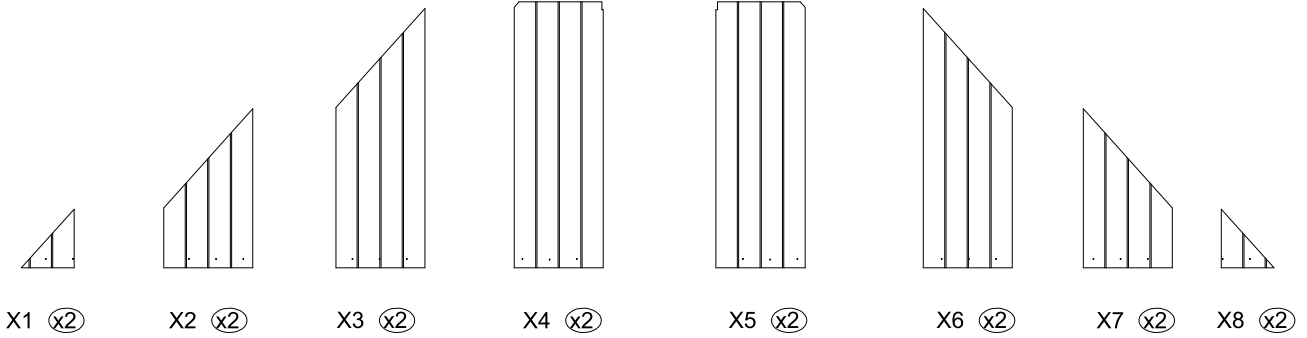
R1 (x3)

| | |
|--|---|
|  <p>Plastic Clips</p> <p>Z $\times 16$</p> |  <p>ST4.8x35</p> <p>7# x92</p> |
|  <p>Plastic Clips</p> <p>Z1 $\times 8$</p> |  <p>M5x16</p> <p>8# x8</p> |
|  <p>Plastic Clips</p> <p>Z2 $\times 8$</p> |  <p>ST4.8x13</p> <p>9# x32</p> |
|  <p>M6x16</p> <p>1# x325</p> |  <p>M6x12</p> <p>11# x48</p> |
|  <p>M6x20</p> <p>2# x36</p> |  <p>ST6.3*18</p> <p>12# x20</p> |
|  <p>3# x16</p> | |
|  <p>Plastic Hooks</p> <p>4# x168</p> | |
|  <p>M6x28</p> <p>5# x112</p> | |
|  <p>ST4.8x30</p> <p>6# x48</p> | |

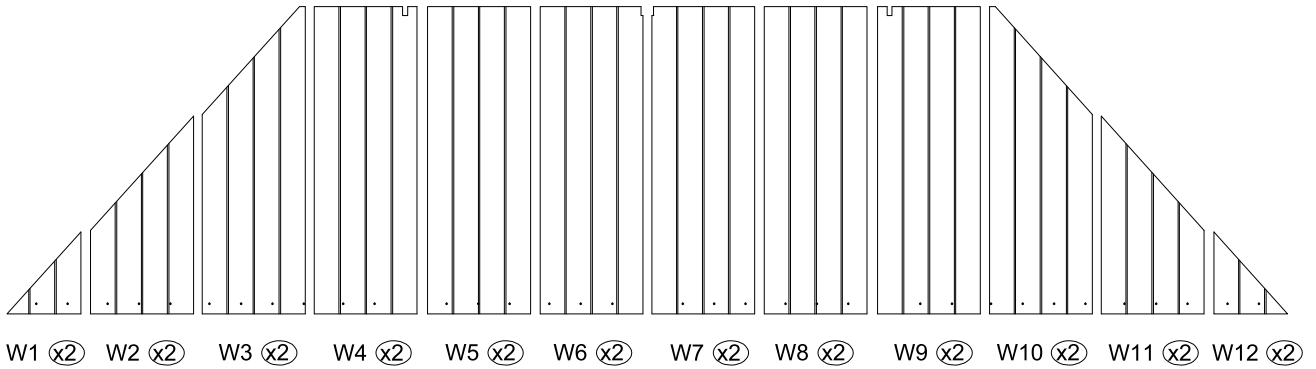
Metal Roof Panels



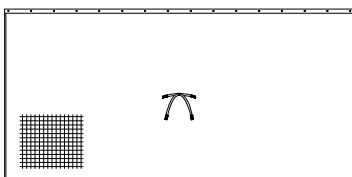
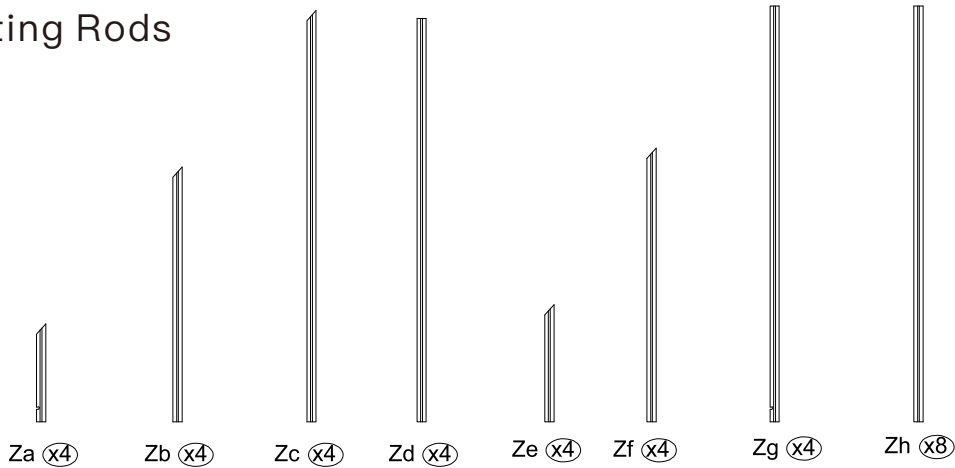
Resin Roof Panels



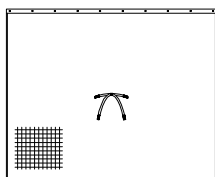
Resin Roof Panels



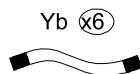
Connecting Rods



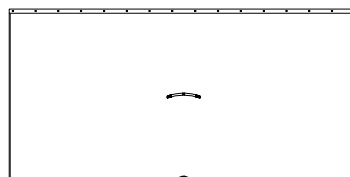
Y (x4)



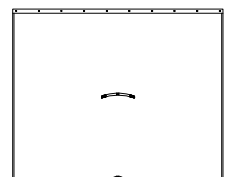
Y1 (x2)



Yb (x6)



Ya (x4)



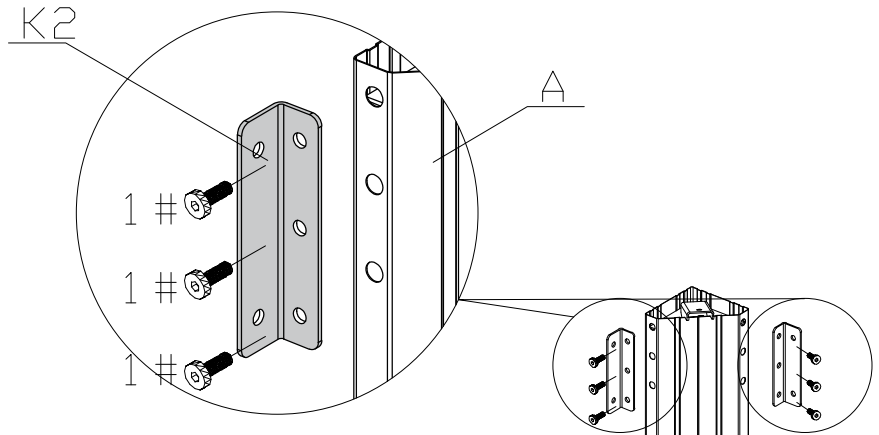
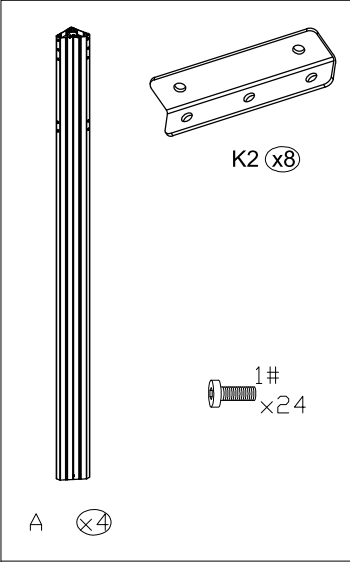
Y1a (x2)

Mosquito Netting

Strap

Curtains

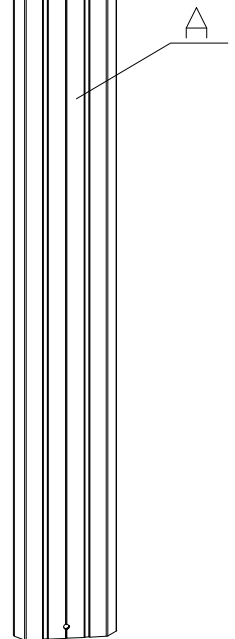
CORNER POLES ASSEMBLY:

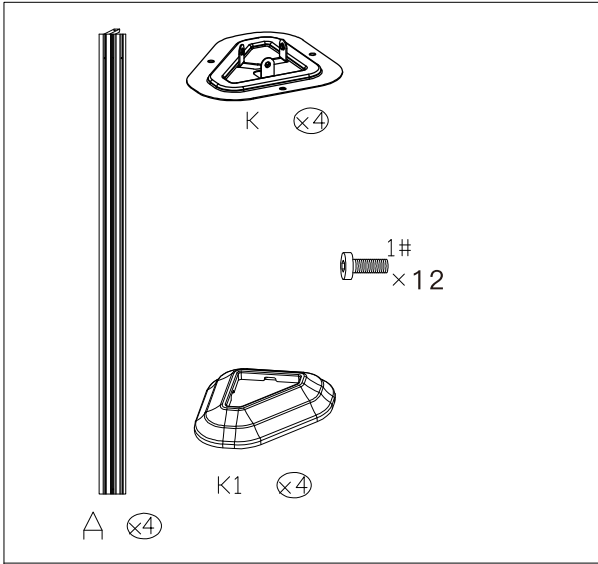


Attach Brackets #K2 to Pole #A with 6 Bolts #1.

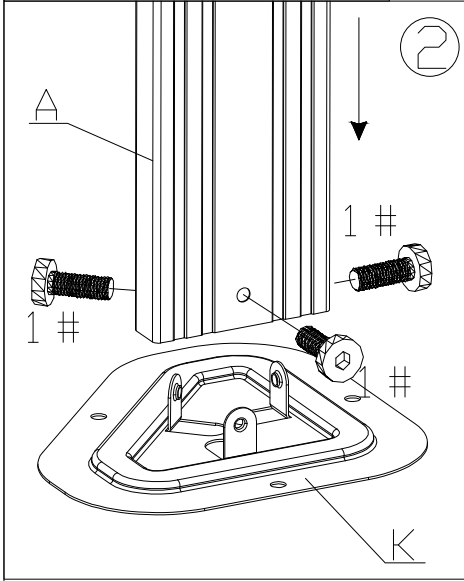
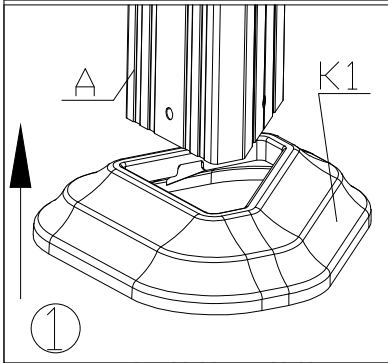
Repeat the above procedures to assemble the other 3 Corner Poles.

x4



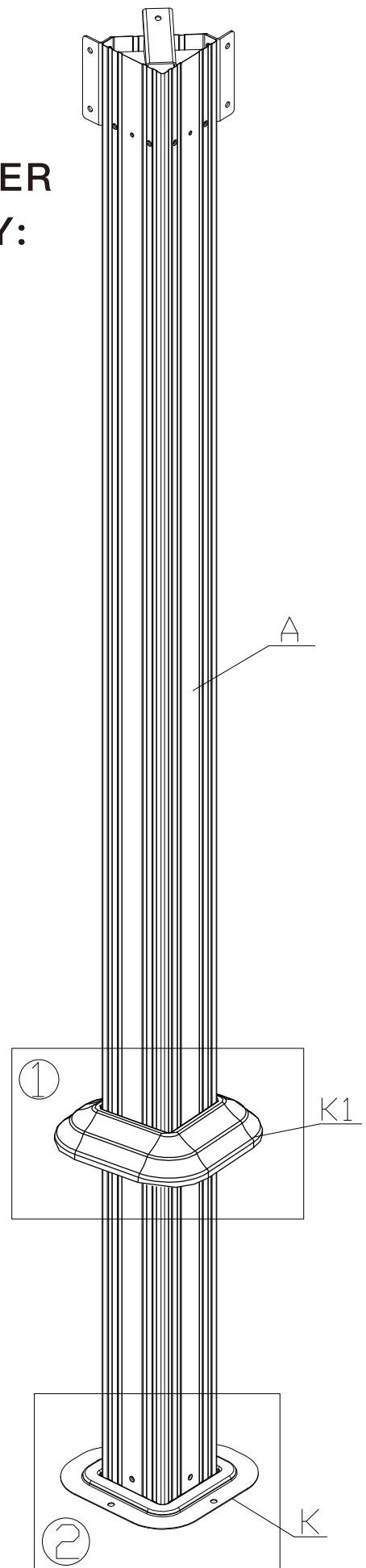


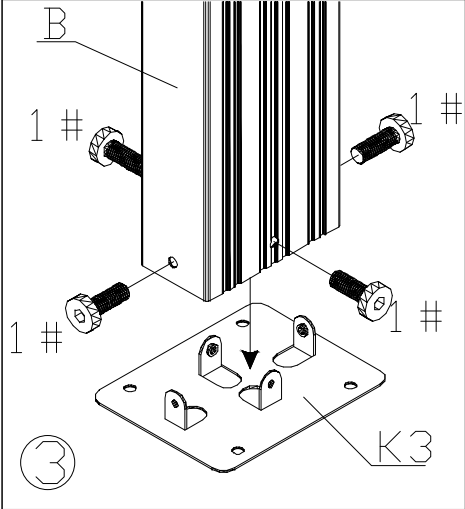
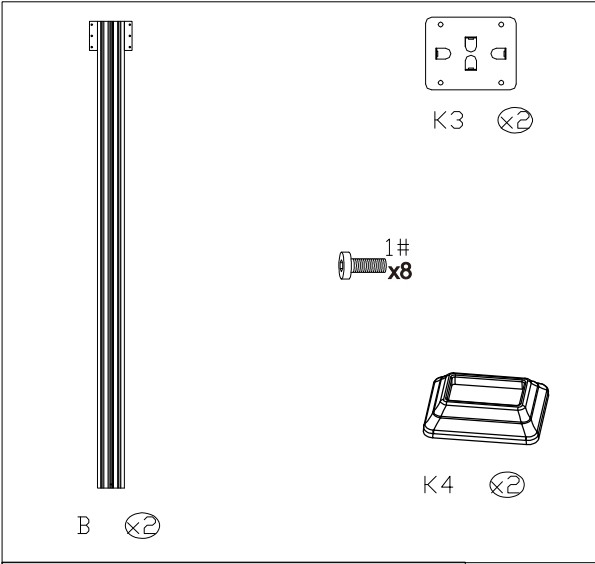
BASE COVER ASSEMBLY:



1. Put on Base Cover #K1.
2. Attach Base #K to Pole #A with 3 Bolts #1.

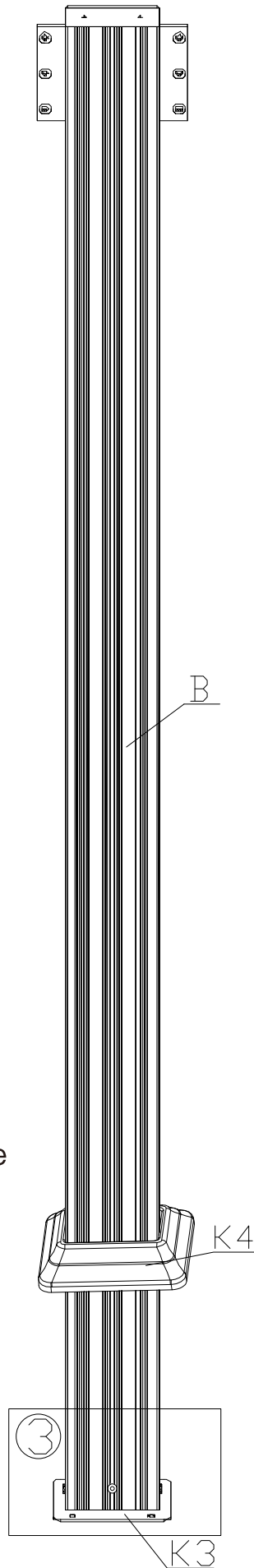
Repeat the above procedures to assemble the other 3 Corner Poles.

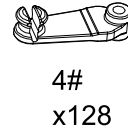
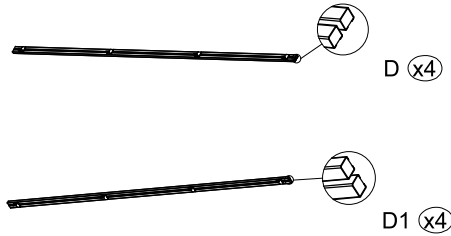




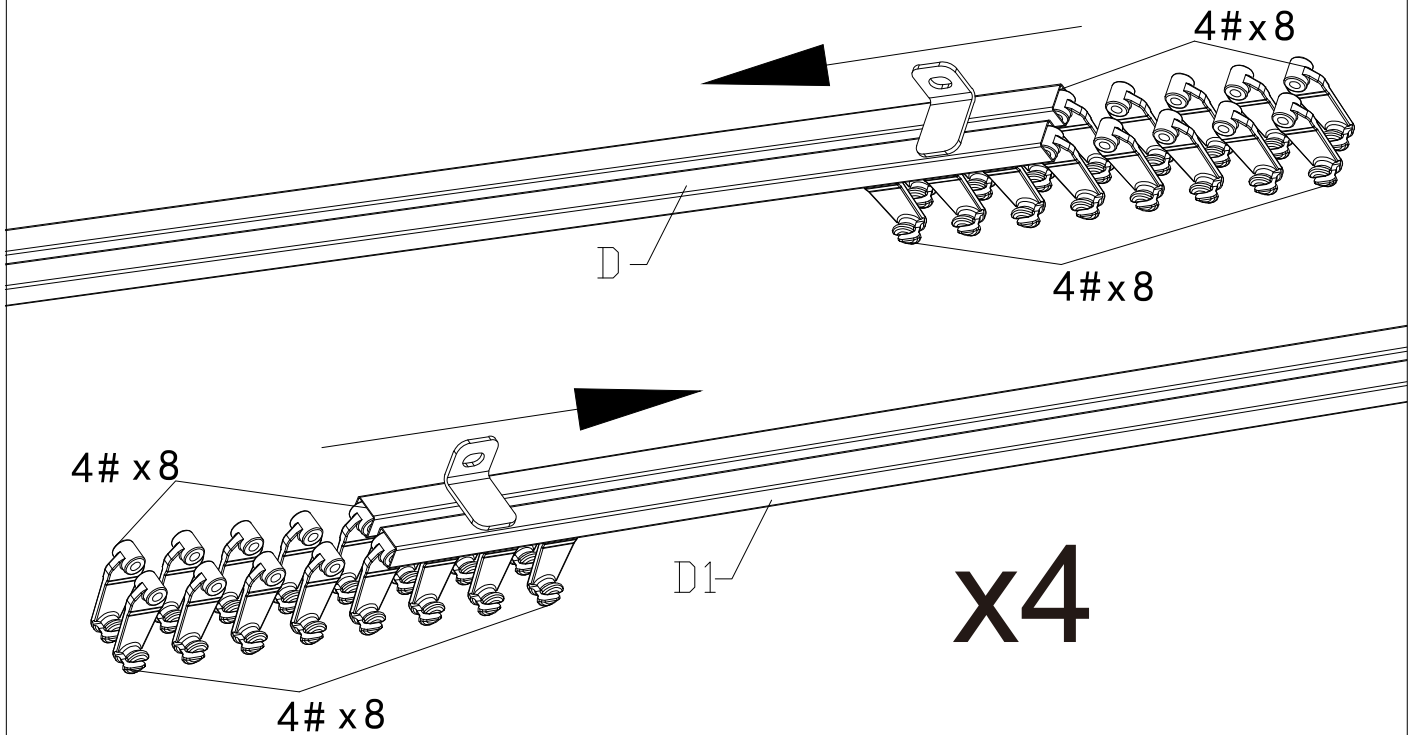
1. Put on Base Cover #K4.
2. Attach Base #K3 to the Middle Post #B with 4 Bolts #1.

Repeat the above procedures to assemble another Pole #B.





PLASTIC HOOKS ASSEMBLY:

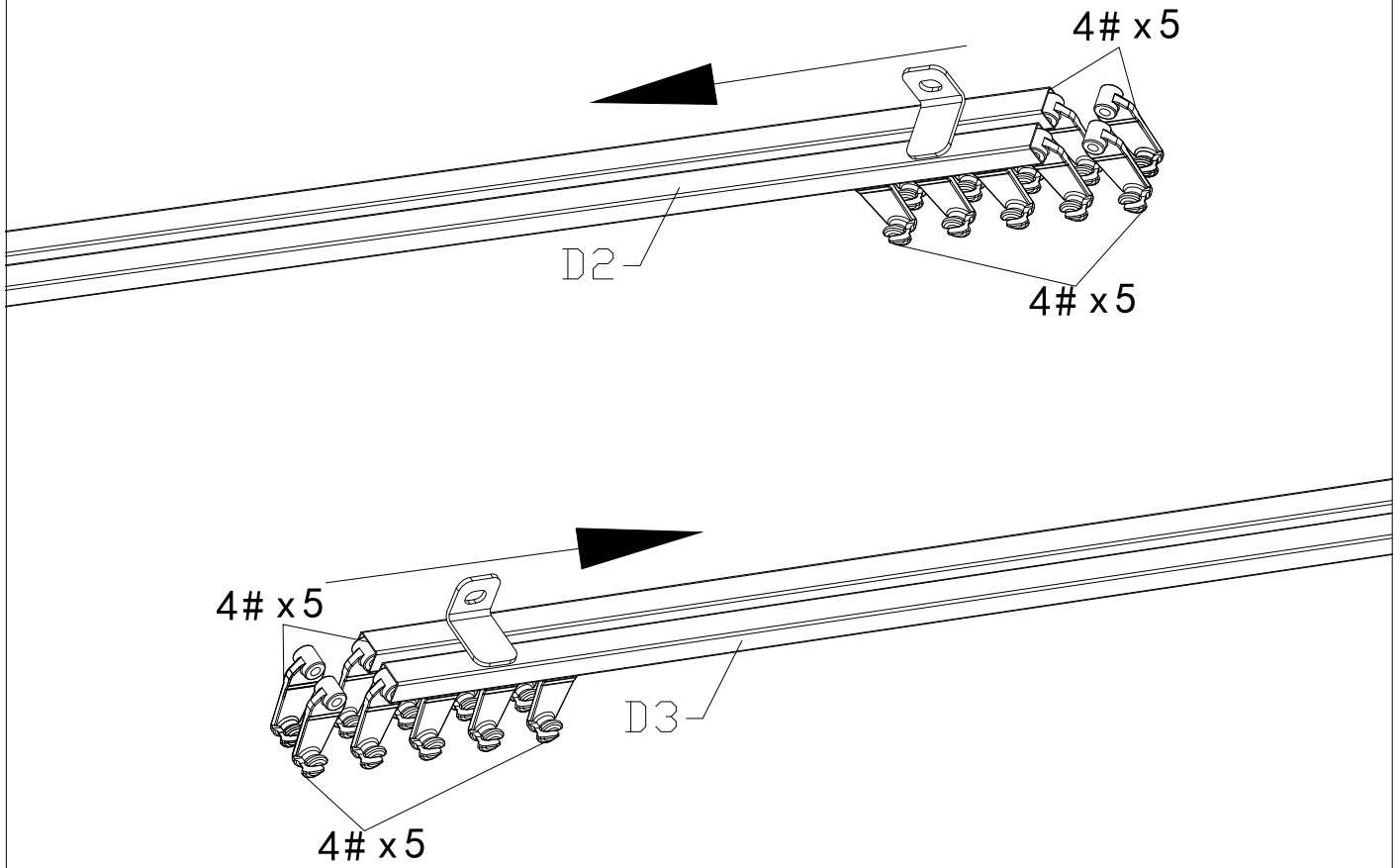
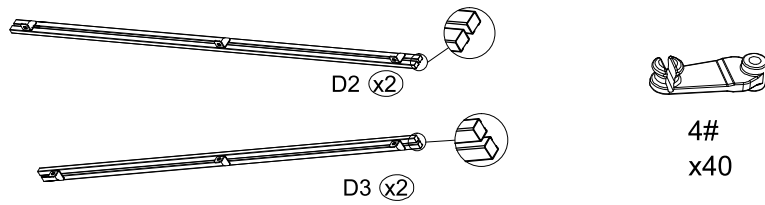


1. Slide the Plastic Hooks to the double rail track #D (Each slot should slide 8 hooks) .

Repeat the above procedure for the other tracks #D.

2. Slide the Plastic Hooks to the double rail track #D1 (Each slot should slide 8 hooks) .

Repeat the above procedure for the other tracks #D1.

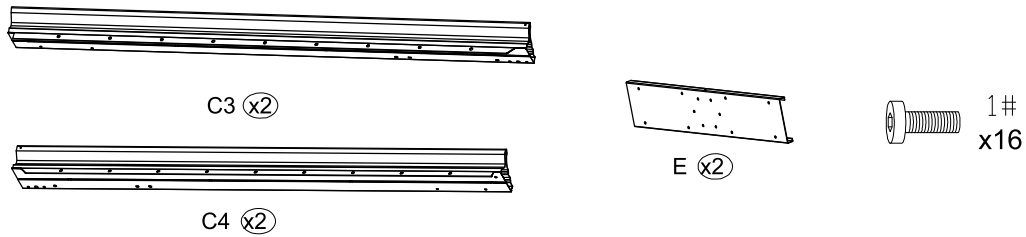


3.Slide the Plastic Hooks to the double rail track #D2 (Each slot should slide 5 hooks) .

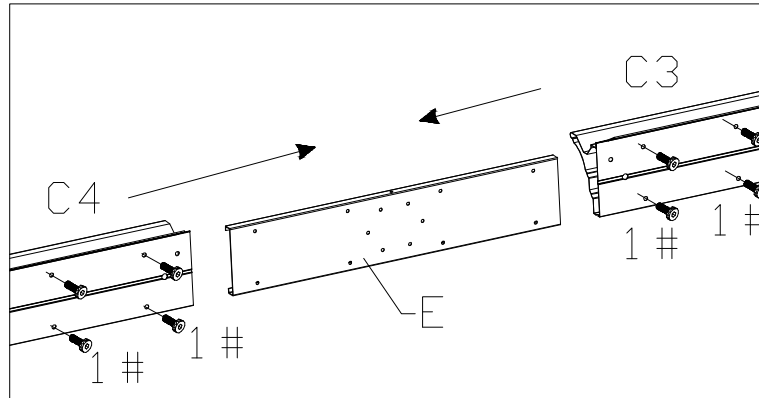
Repeat the above procedure for the other tracks #D2.

4.Slide the Plastic Hooks to the double rail track #D3 (Each slot should slide 5 hooks) .

Repeat the above procedure for the other tracks #D3.

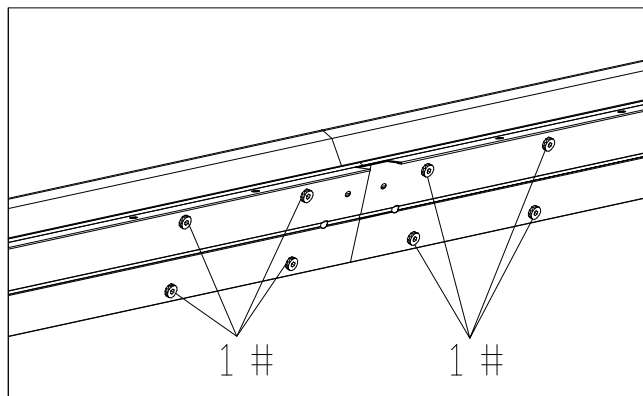


BEAM ASSEMBLY:

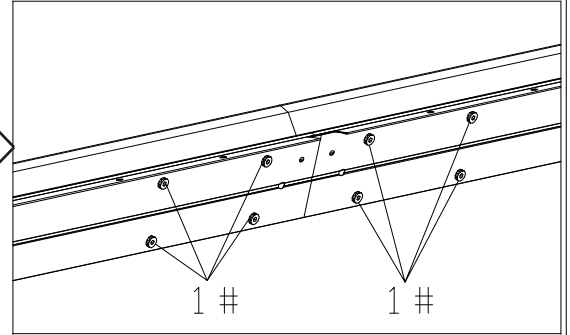
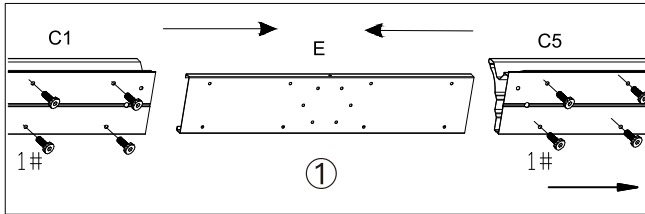
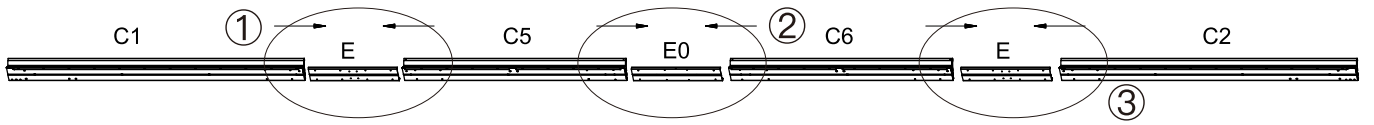
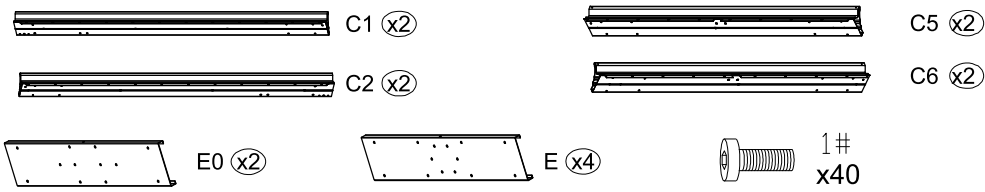


1. Insert Union Bar #E into Beam #C4, and secure with 4 Bolts #1.
2. Insert the other side of Union Bar #E into Beam #C3 and secure with 4 Bolts #1.

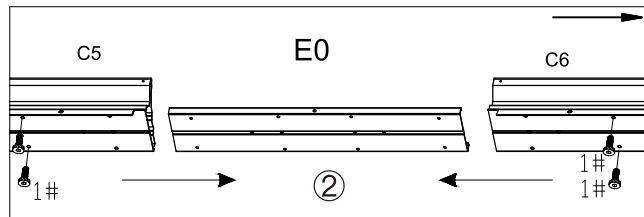
Repeat the above procedures to assemble the other Beam #C4 and #C3.



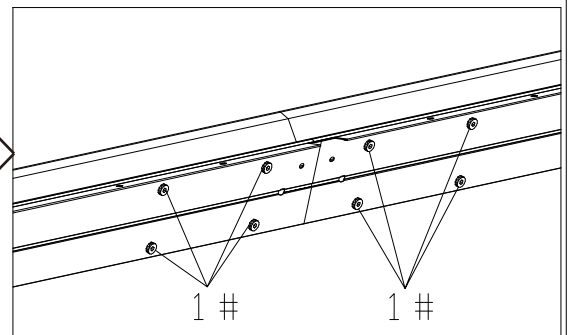
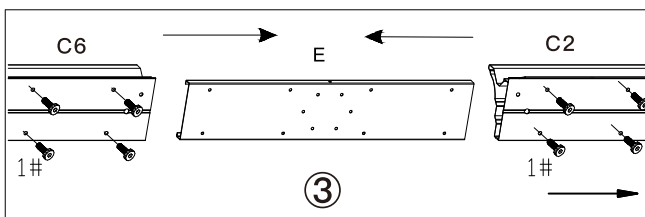
TIPS: It's a normal situation that there's a gap between the 2 beams, please use silicone sealant (part #H) and Joint Cover #G to affix the gap. (see P13)



1. Use Part #E to connect Part #C1 and Part #C5, then secure with 8 Bolts #1.

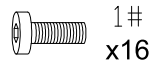


2. Use Part #E0 to connect Part #C5 and Part #C6, then secure with 4 Bolts #1.

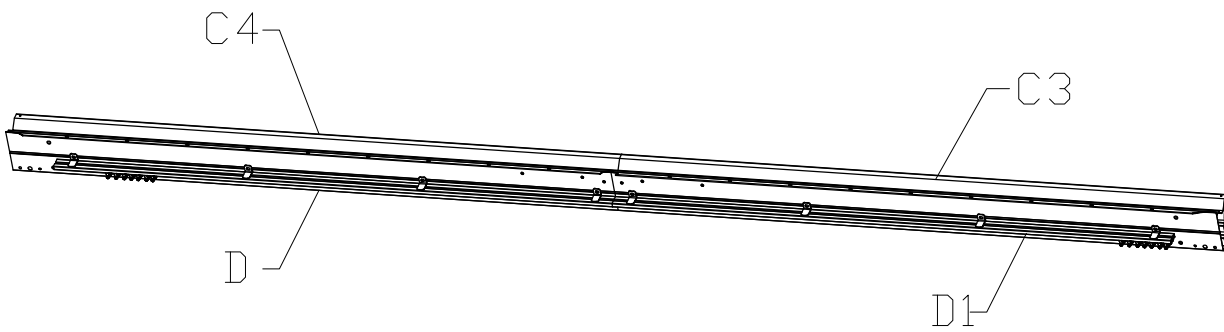
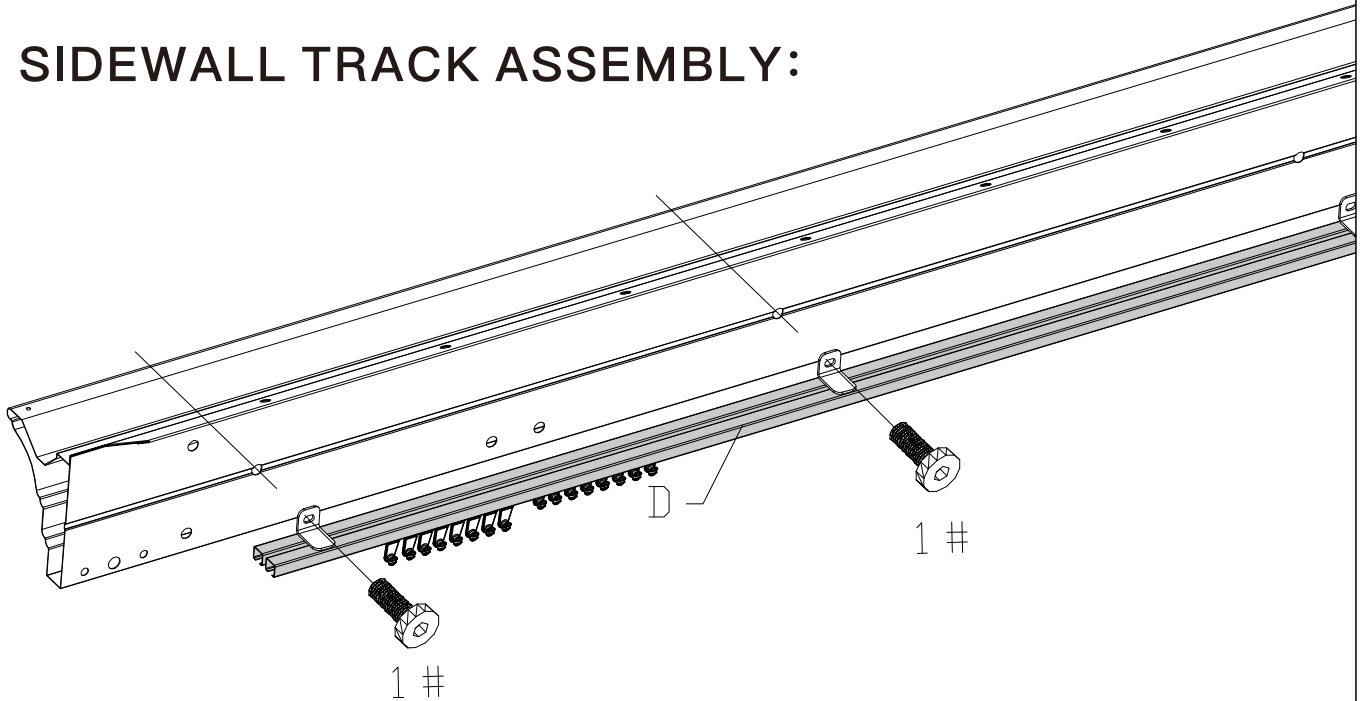


3. Use Part #E to connect Part #C6 and Part #C2, then secure with 8 Bolts #1.

Repeat the above procedures to assemble the other Beams #C1, #C5, #C6 and #C2.

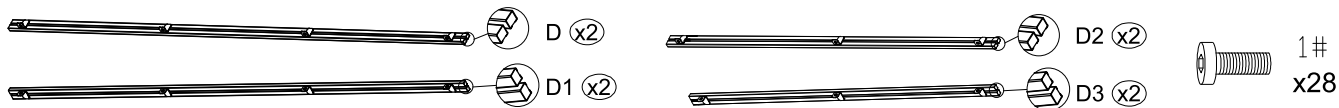


SIDEWALL TRACK ASSEMBLY:

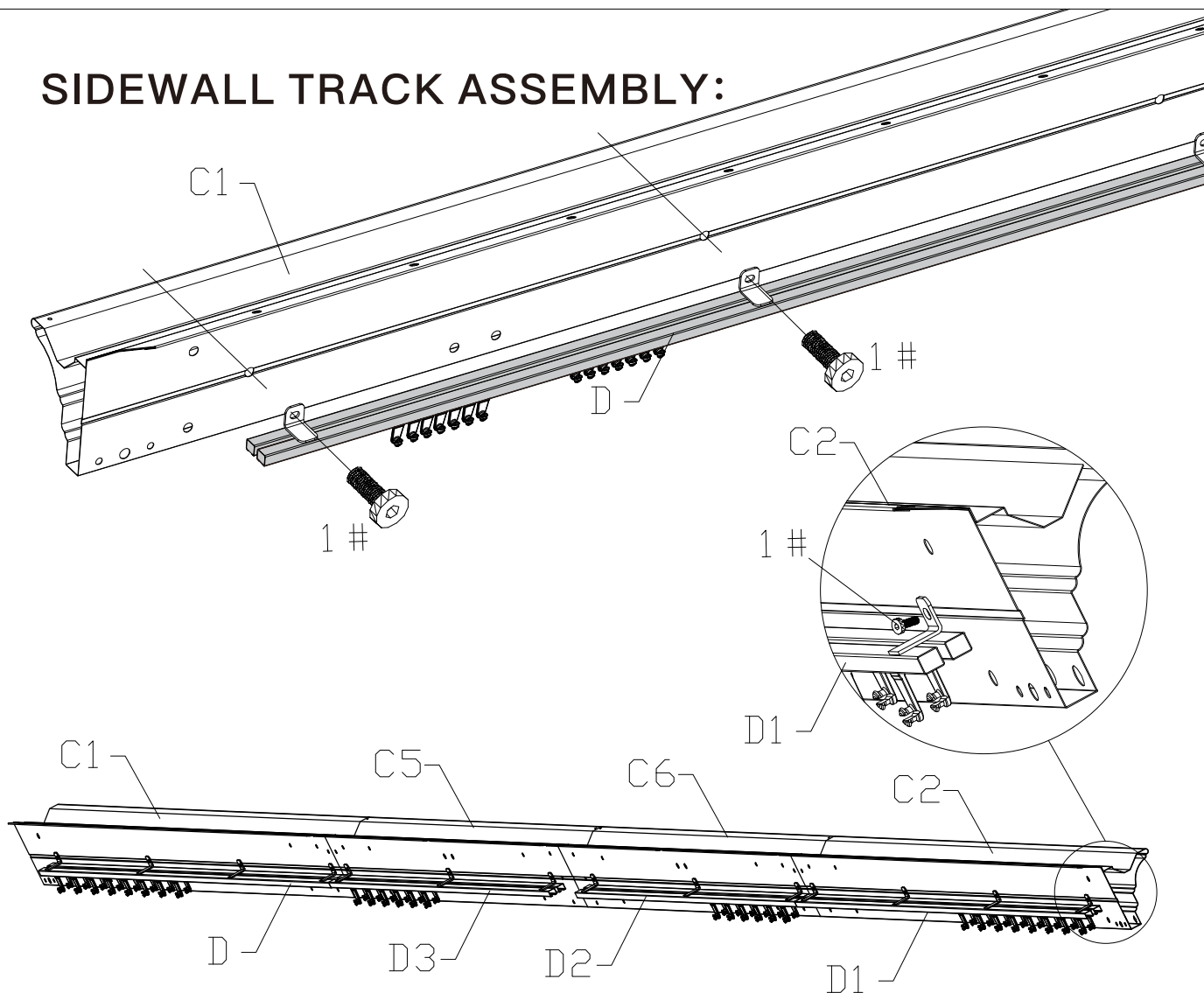


1. Secure Sidewall Track #D to Beam #C4 using 4 Bolts #1.
2. Secure Sidewall Track #D1 to Beam #C3 using 4 Bolts #1.

Repeat the above procedures for the other tracks #D and #D1 .



SIDEWALL TRACK ASSEMBLY:

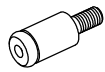


1. Secure Sidewall Track #D to Beam #C1 using 4 Bolts #1.
2. Secure Sidewall Track #D3 to Beam #C5 using 3 Bolts #1.
3. Secure Sidewall Track #D2 to Beam #C6 using 3 Bolts #1.
4. Secure Sidewall Track #D1 to Beam #C2 using 4 Bolts #1.

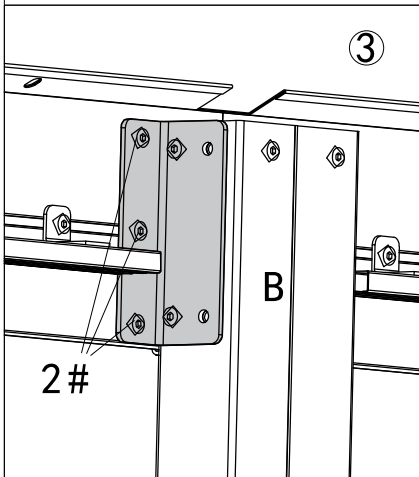
Repeat the above procedures for the other tracks #D, #D3, #D2 and #D1.



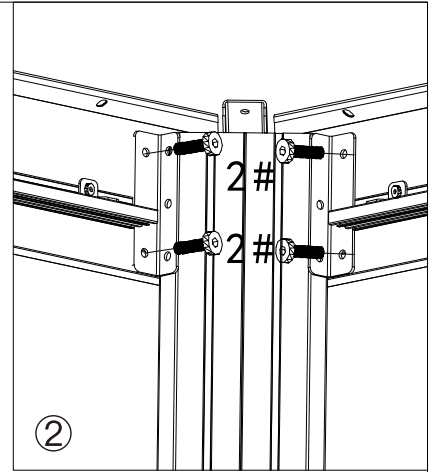
2#
x28



3#
x16

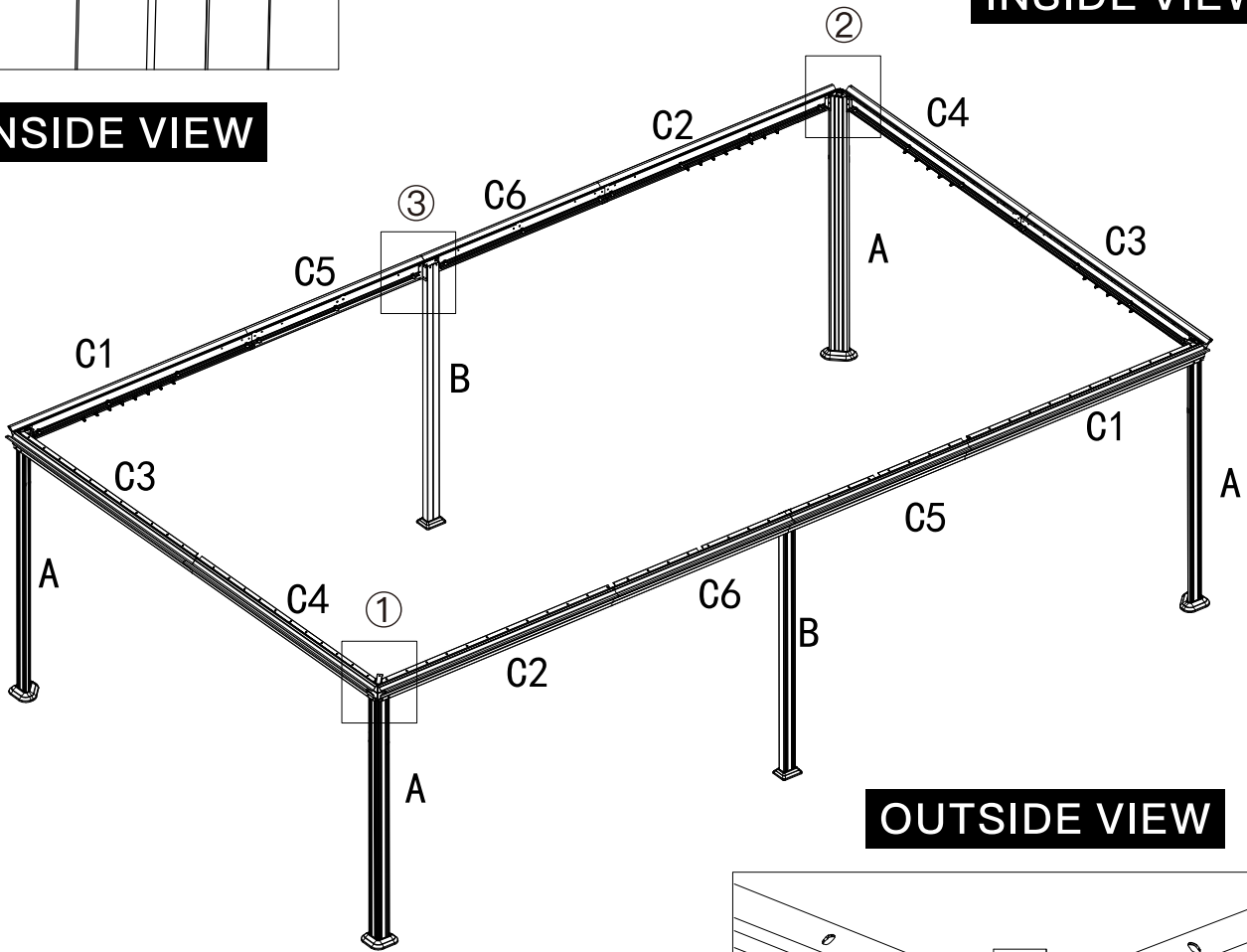


FRAME ASSEMBLY:



INSIDE VIEW

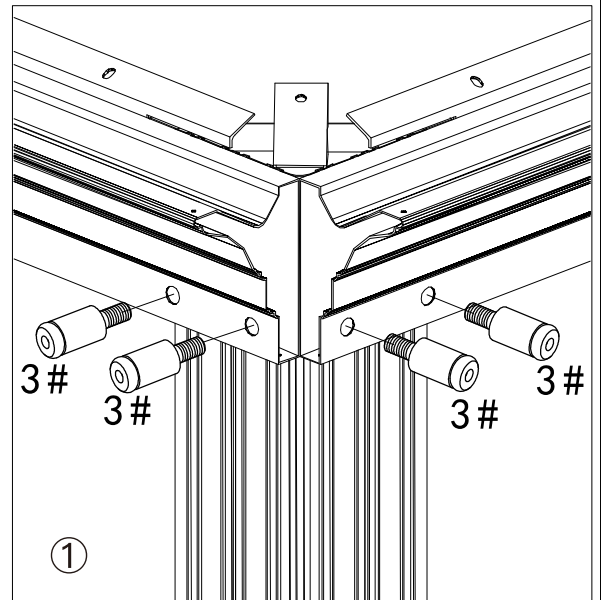
INSIDE VIEW

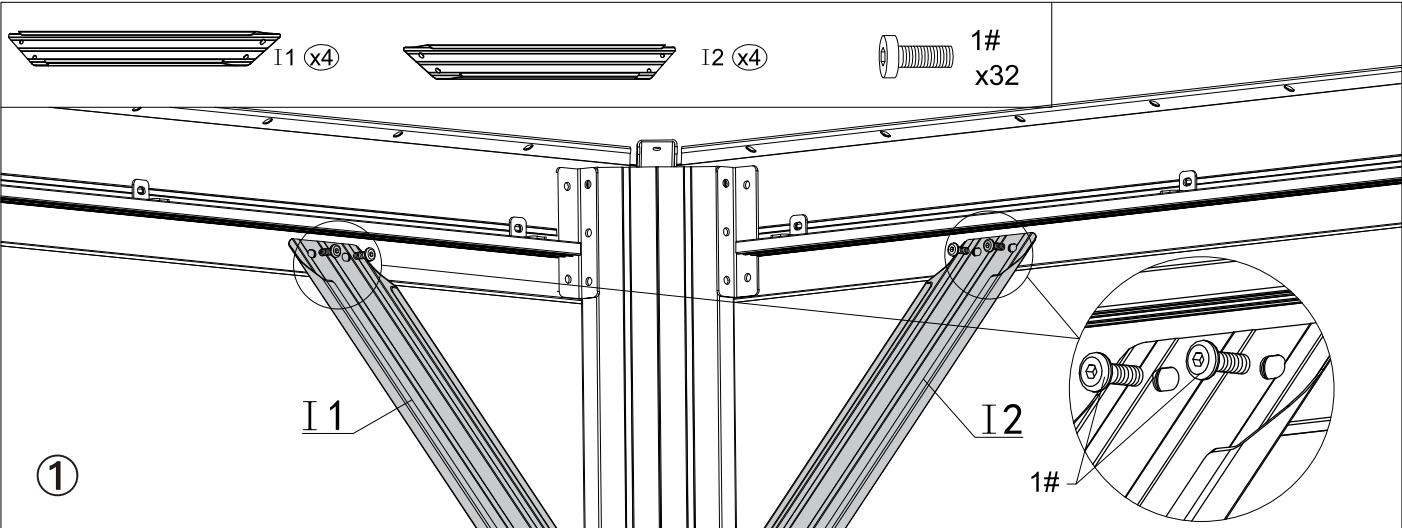


OUTSIDE VIEW

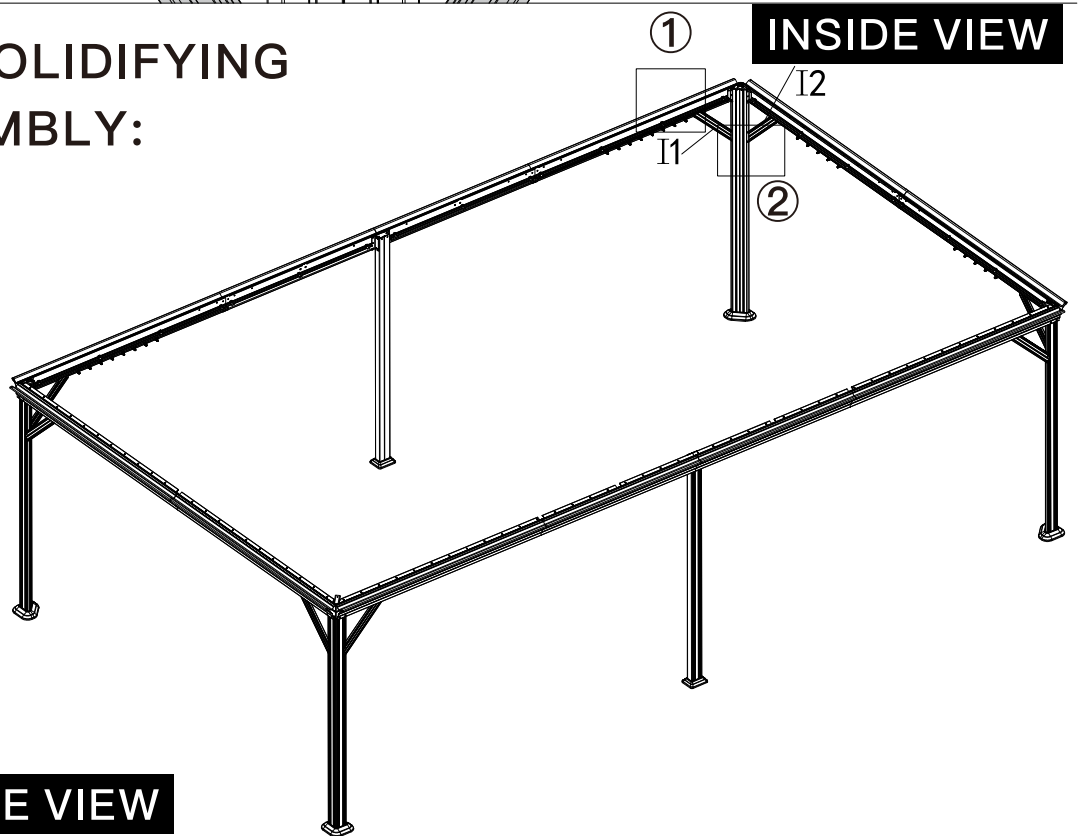


Please don't tighten all bolts.

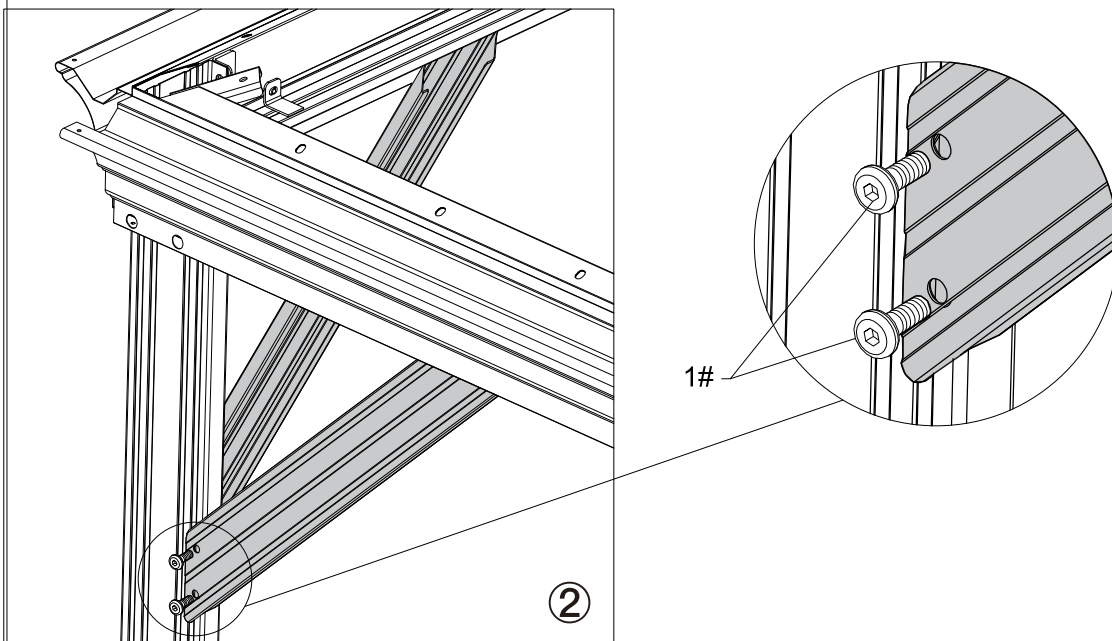




**CORNER SOLIDIFYING
BAR ASSEMBLY:**



OUTSIDE VIEW



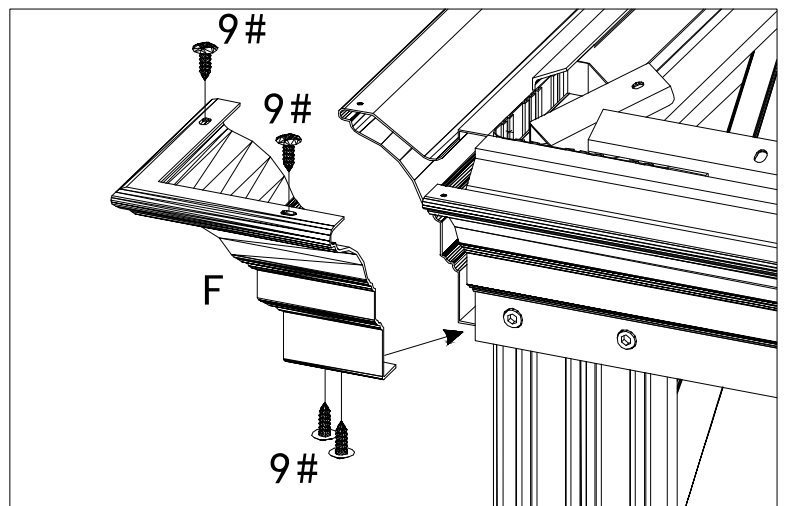


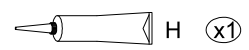
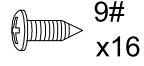
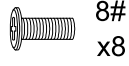
F x4



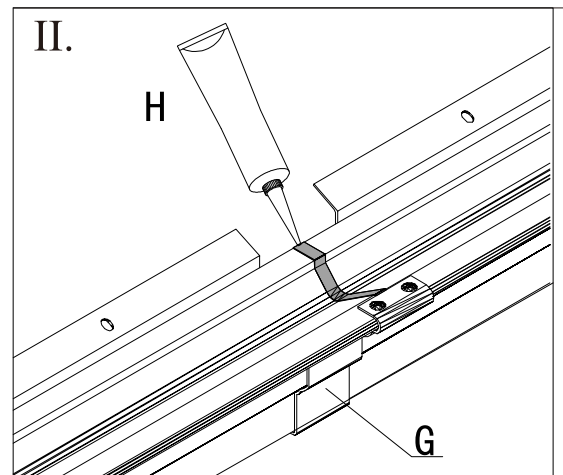
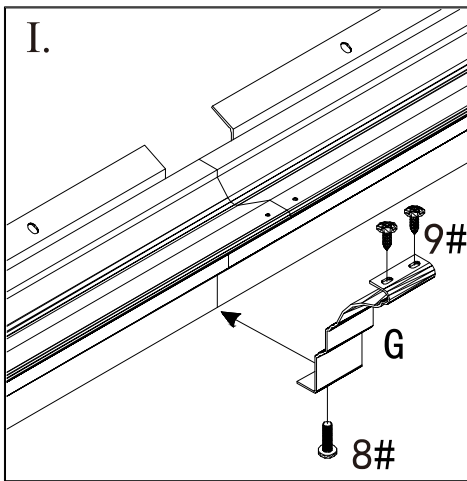
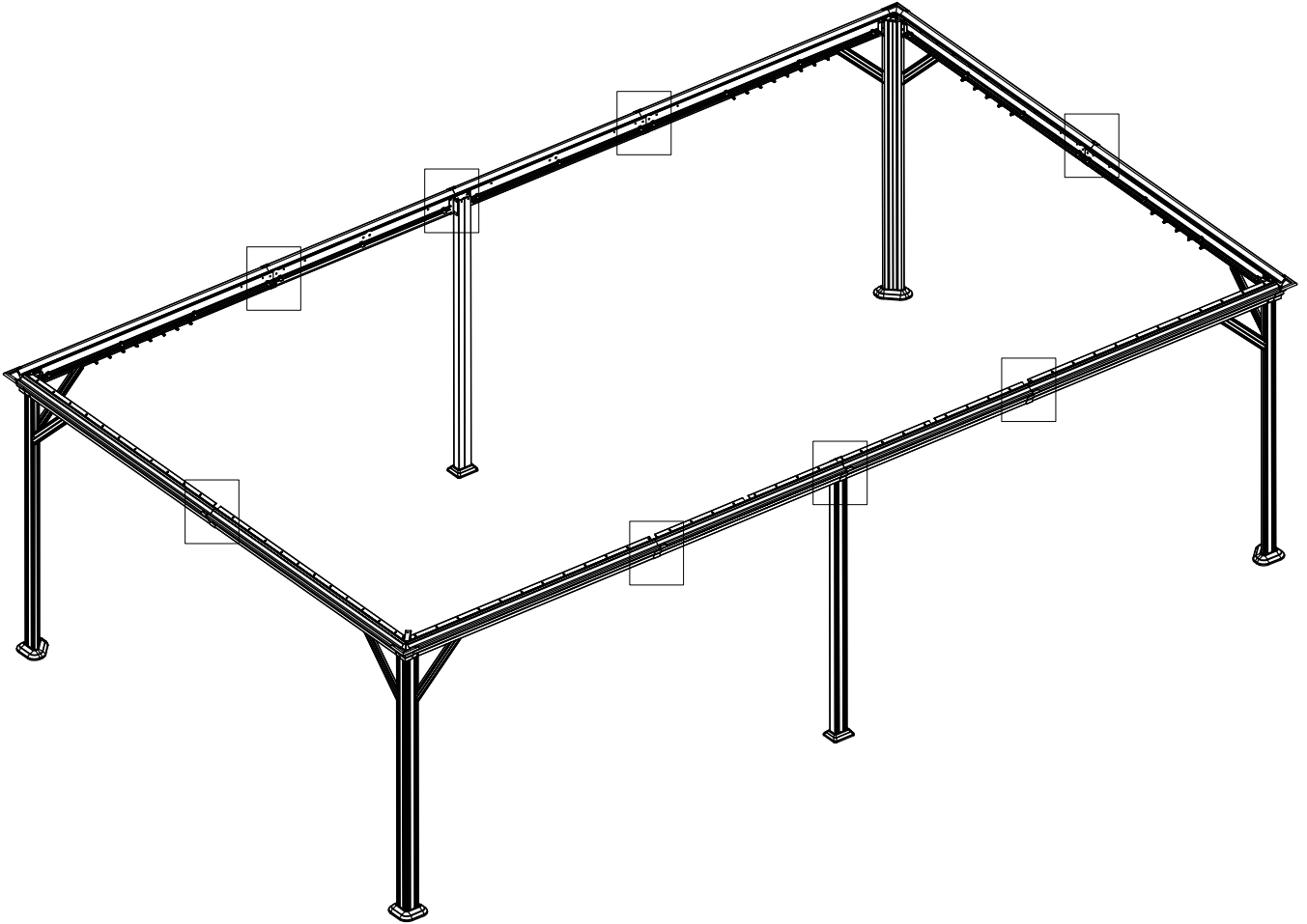
9#
x16

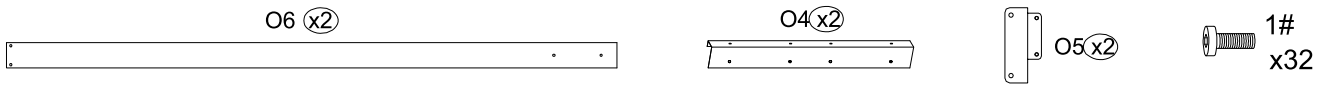
CORNER COVER & JOINT COVER ASSEMBLY:



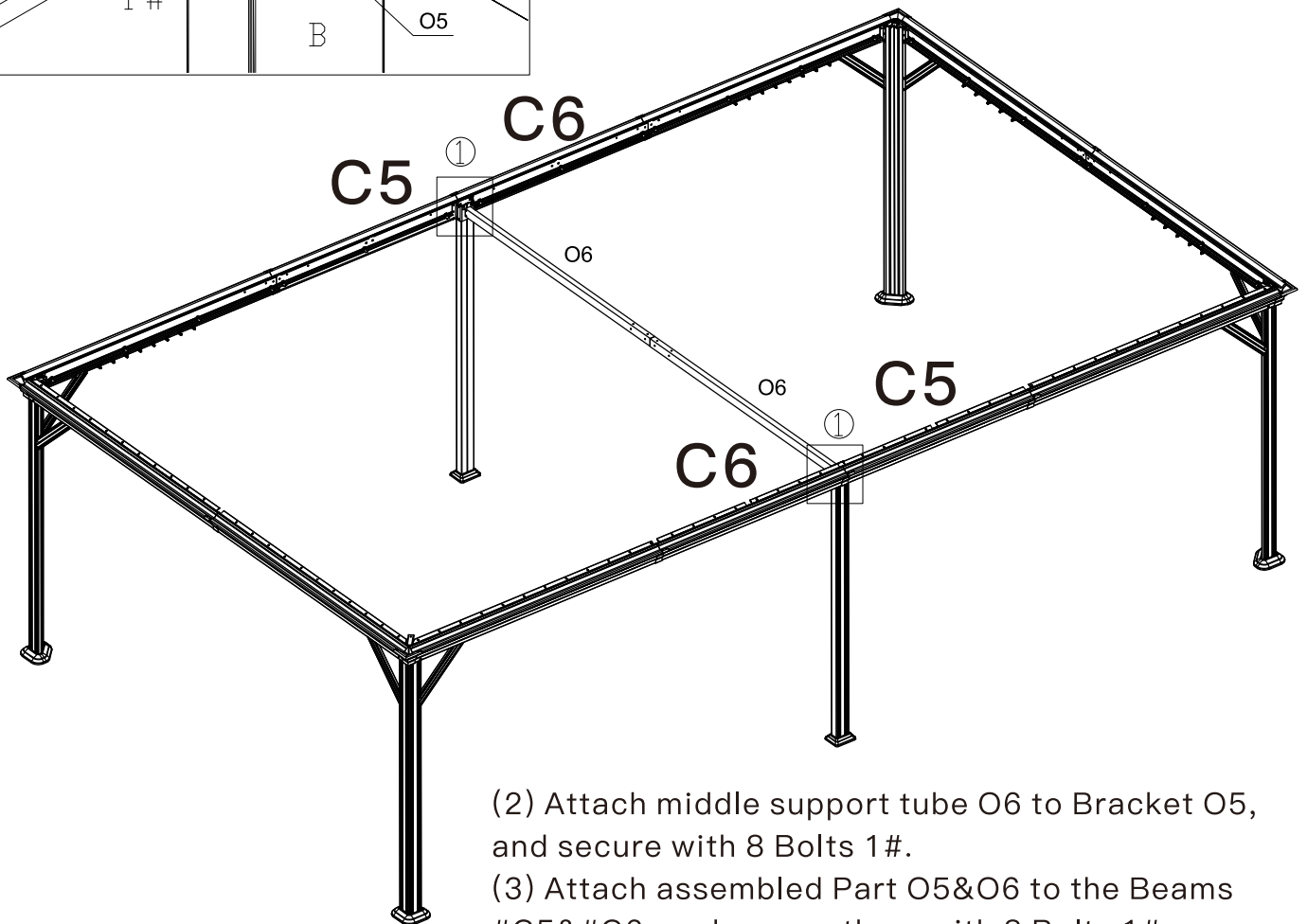
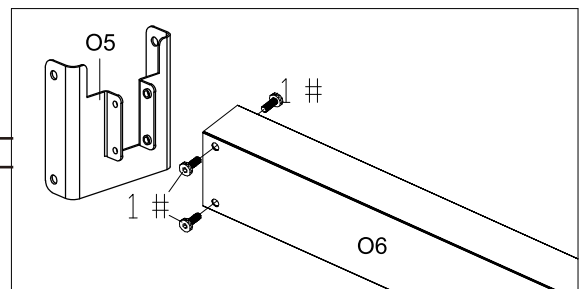
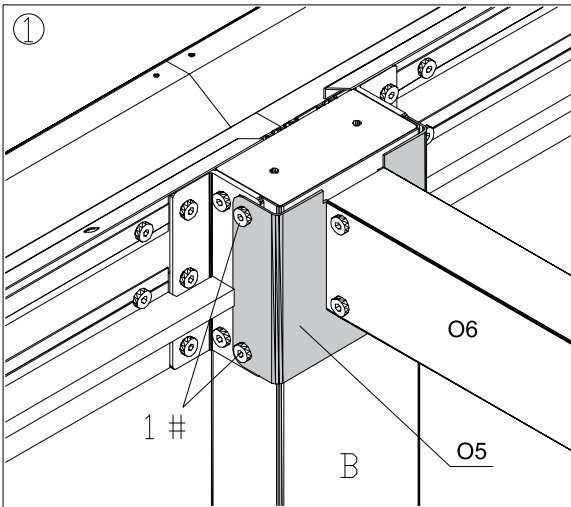
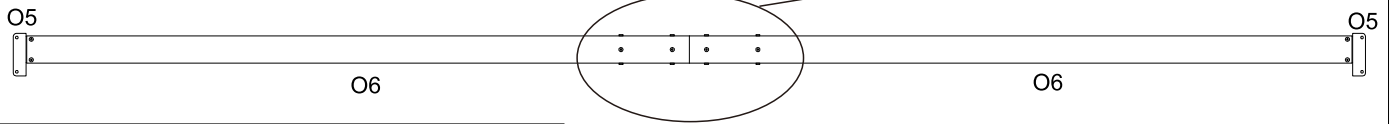
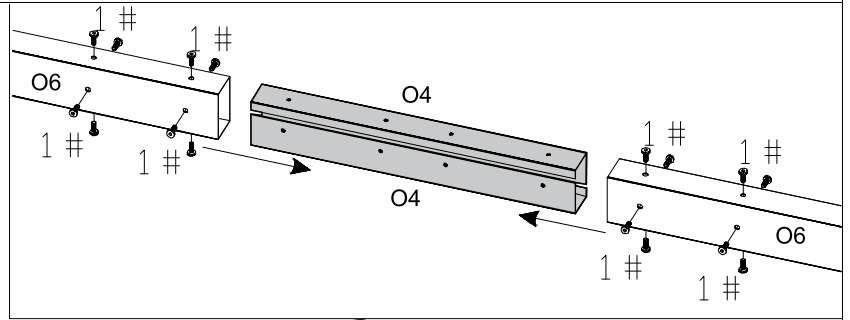


Use 5mm silicone sealant (part #H) and Joint Cover #G to affix the gap.

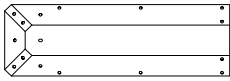




(1) Use Part O4 to connect the two Middle Support Tubes (Part O6) and secure them with 16 Bolts 1#.



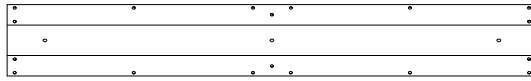
(2) Attach middle support tube O6 to Bracket O5, and secure with 8 Bolts 1#.
 (3) Attach assembled Part O5&O6 to the Beams #C5&#C6, and secure them with 8 Bolts 1#.



J (x2)



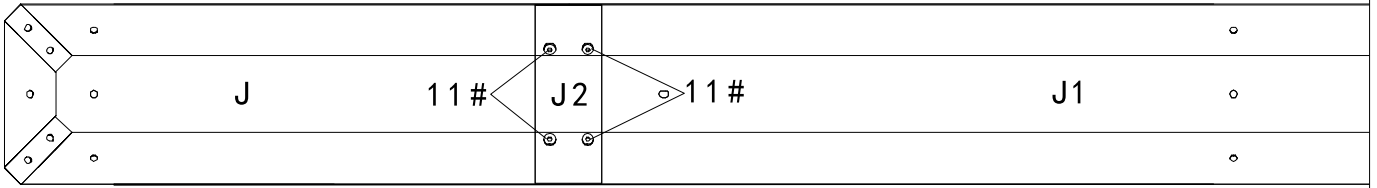
J2 (x2)



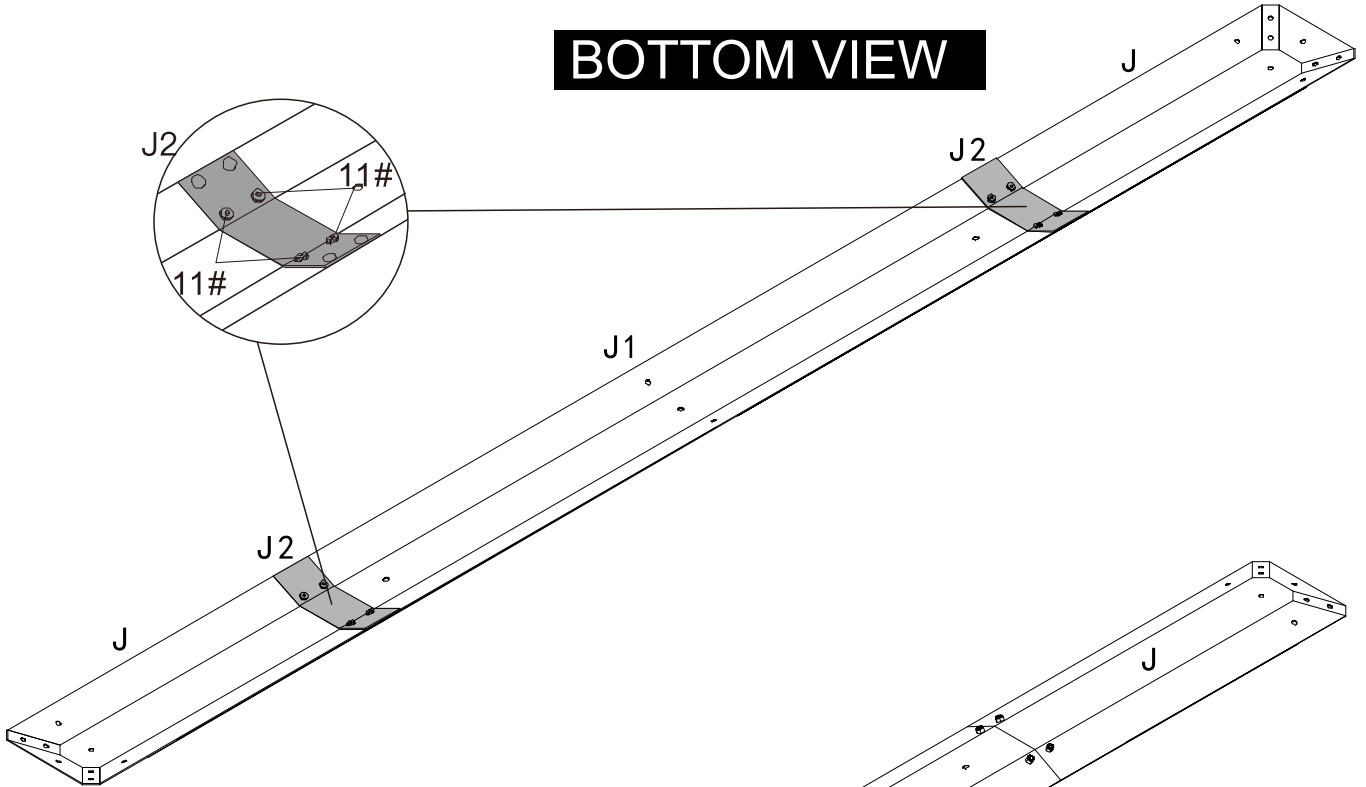
J1 (x1)



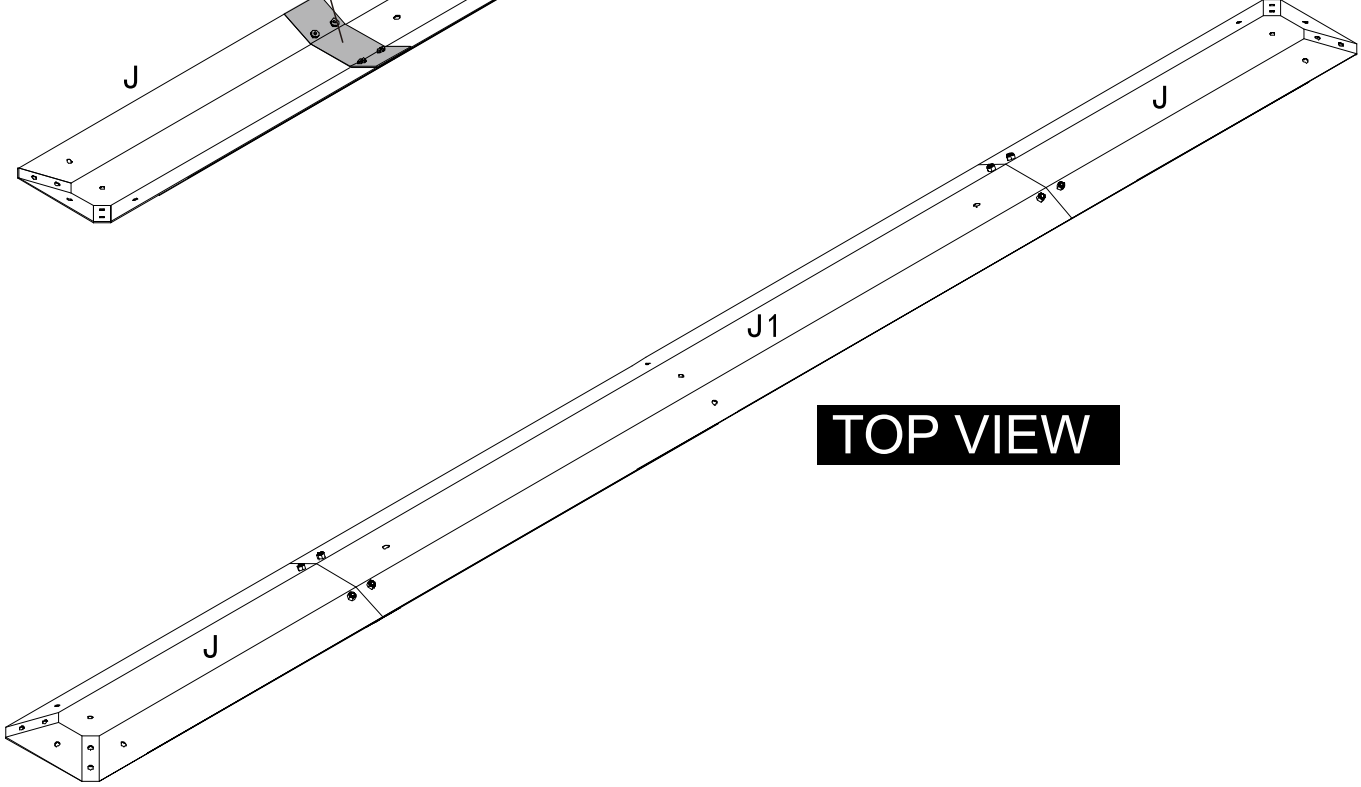
11#
x8

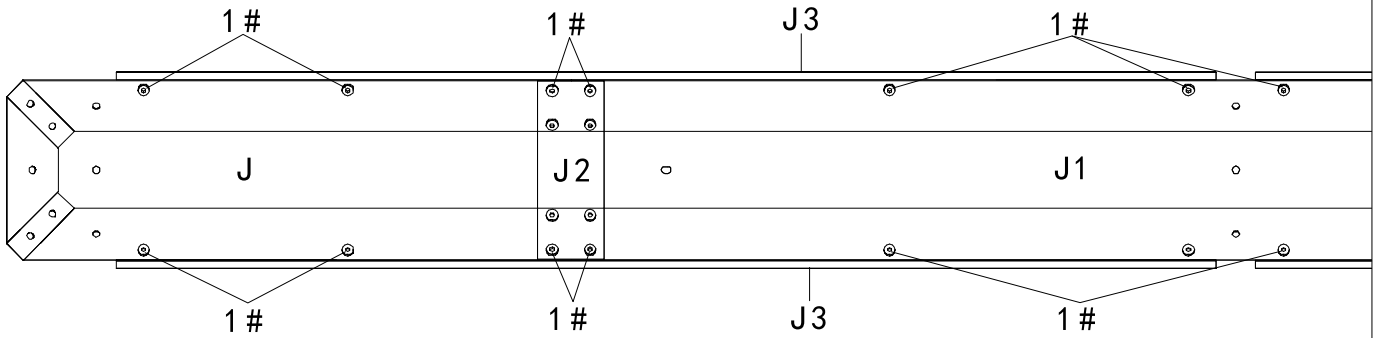
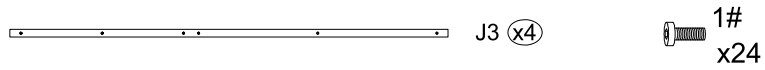


BOTTOM VIEW



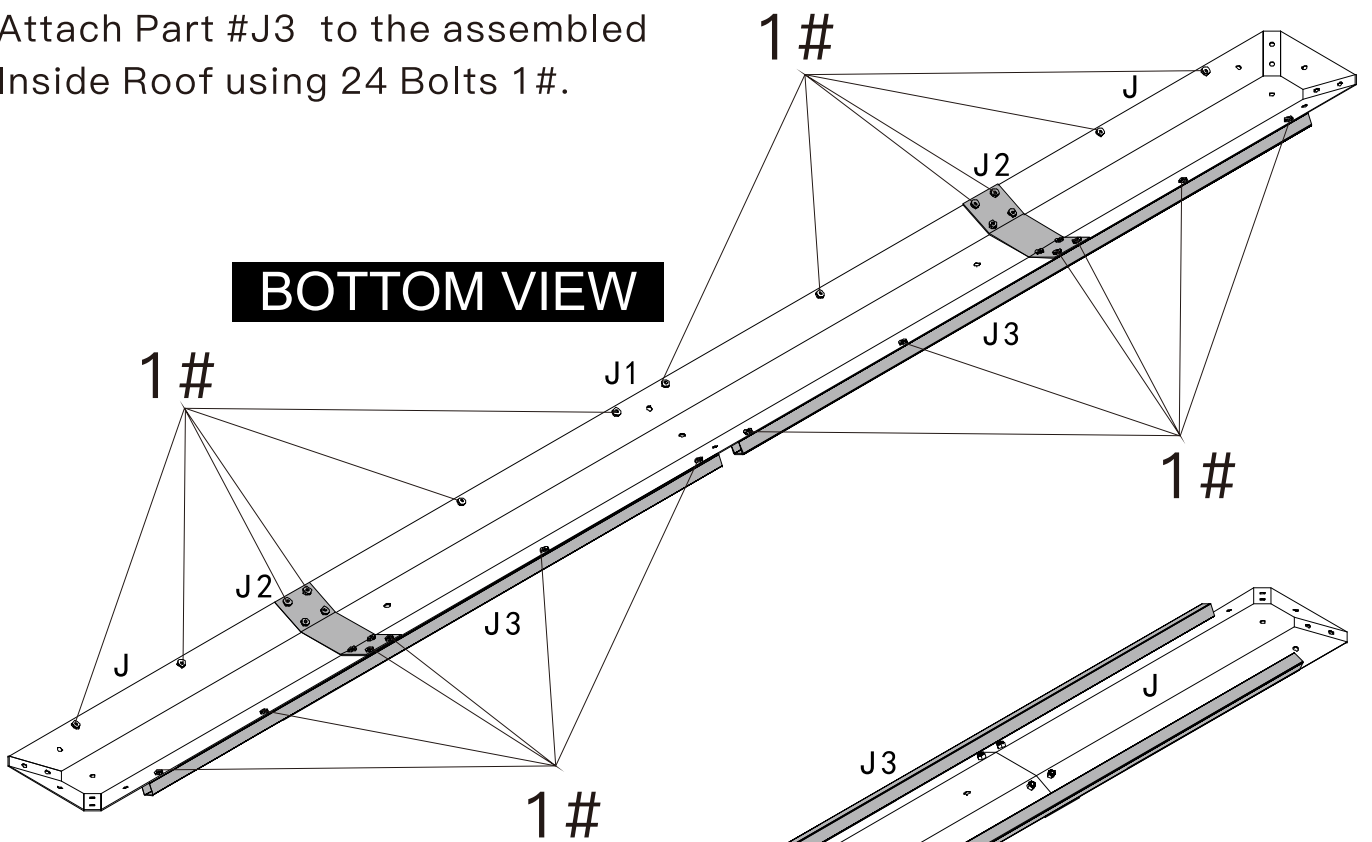
TOP VIEW



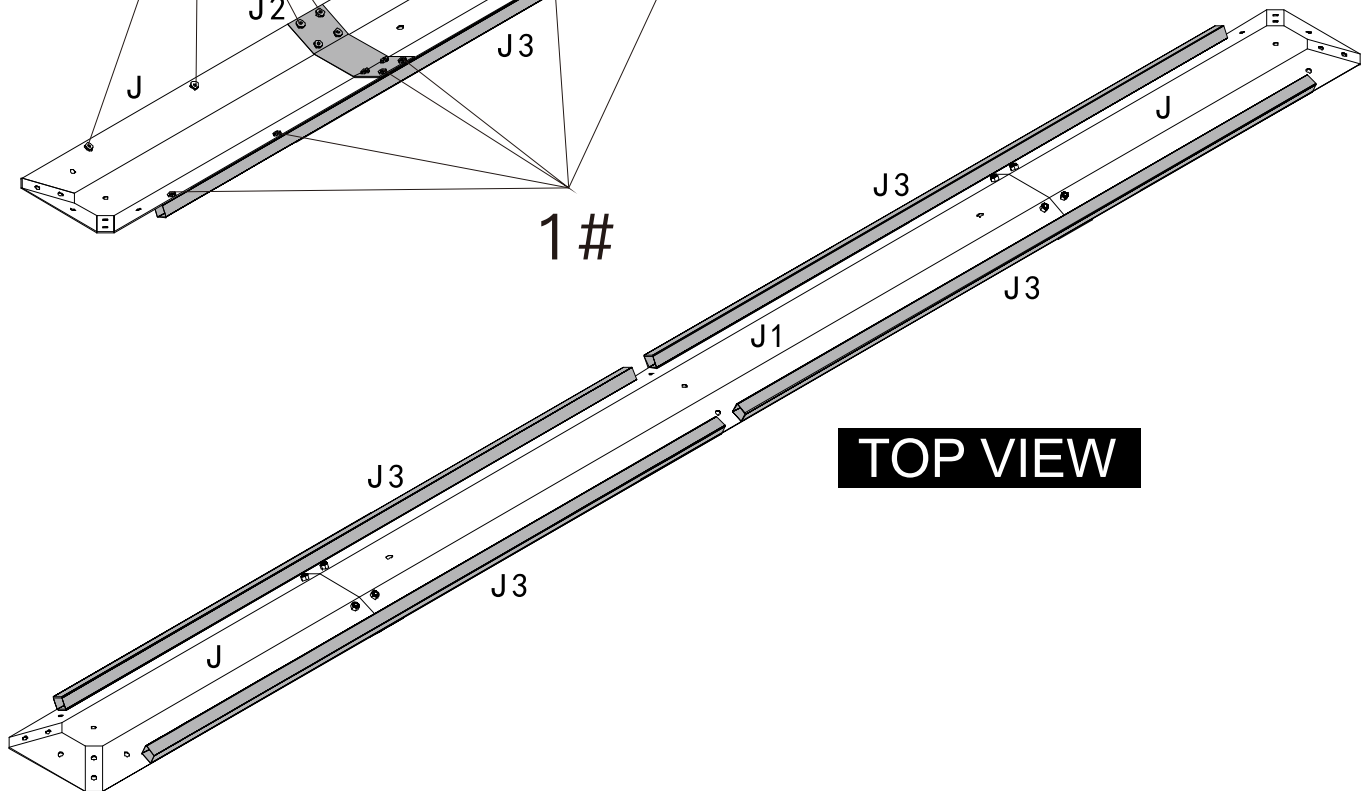


Attach Part #J3 to the assembled Inside Roof using 24 Bolts 1#.

BOTTOM VIEW



TOP VIEW

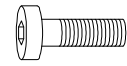




M (x4)

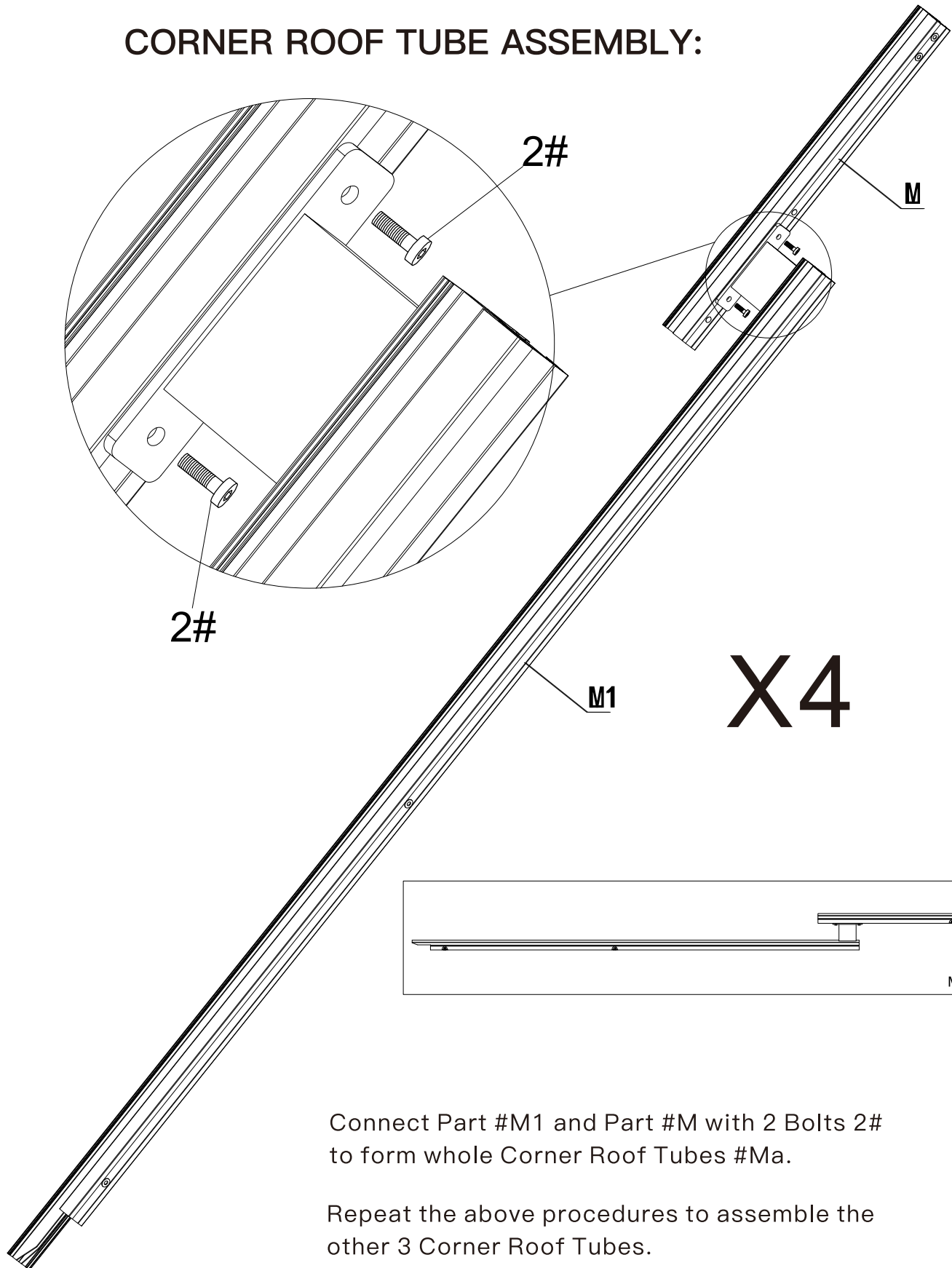


M1 (x4)



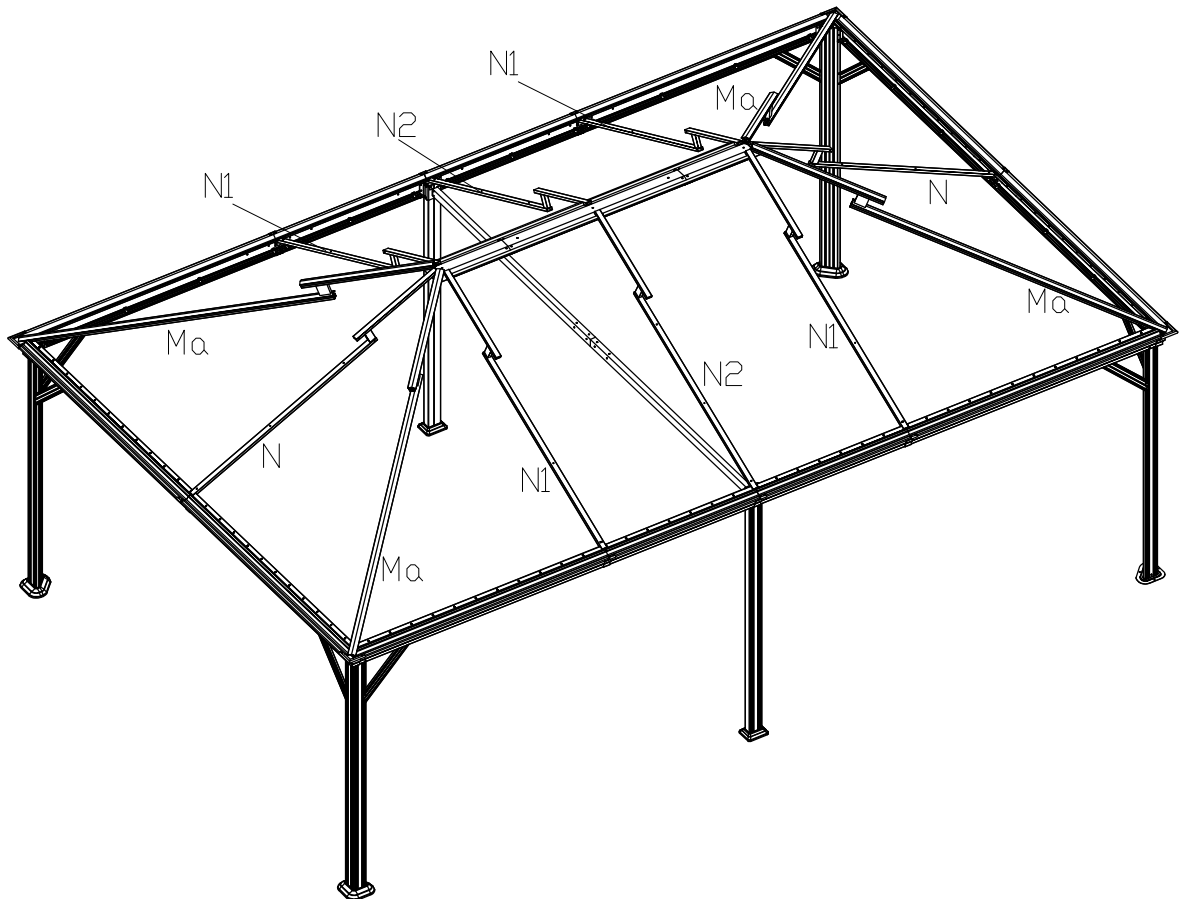
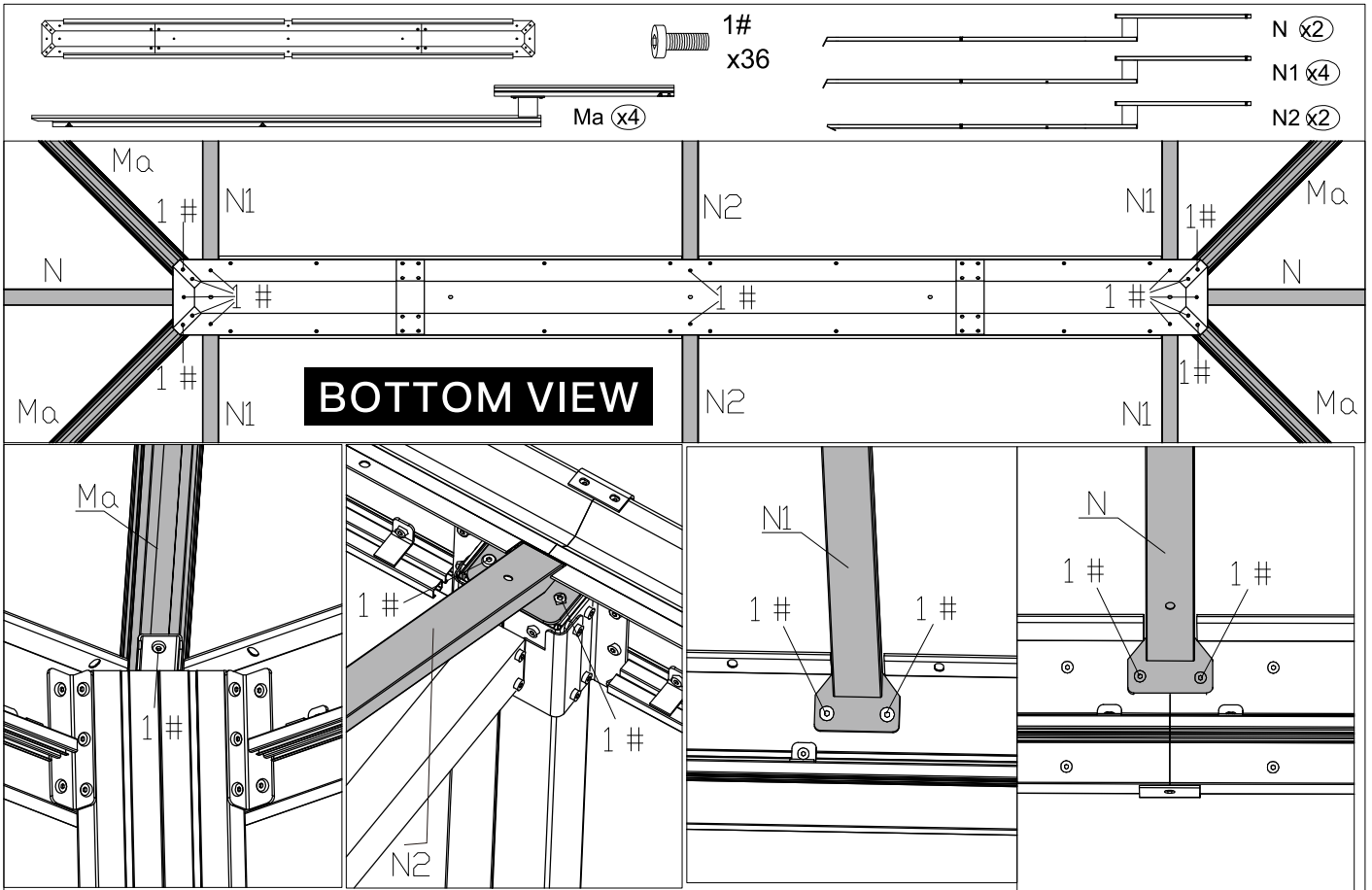
2#
x8

CORNER ROOF TUBE ASSEMBLY:

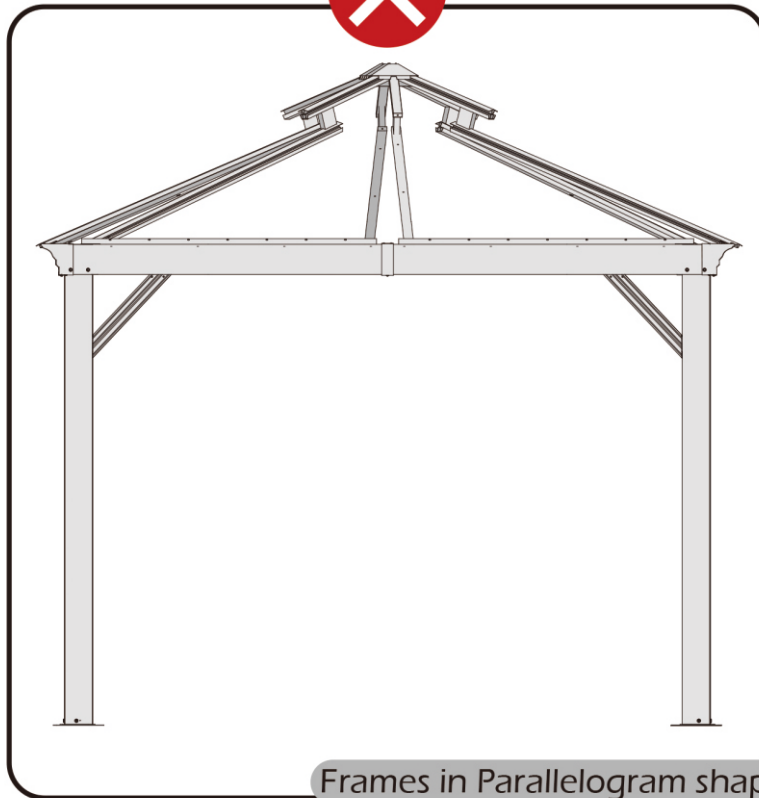


Connect Part #M1 and Part #M with 2 Bolts 2# to form whole Corner Roof Tubes #Ma.

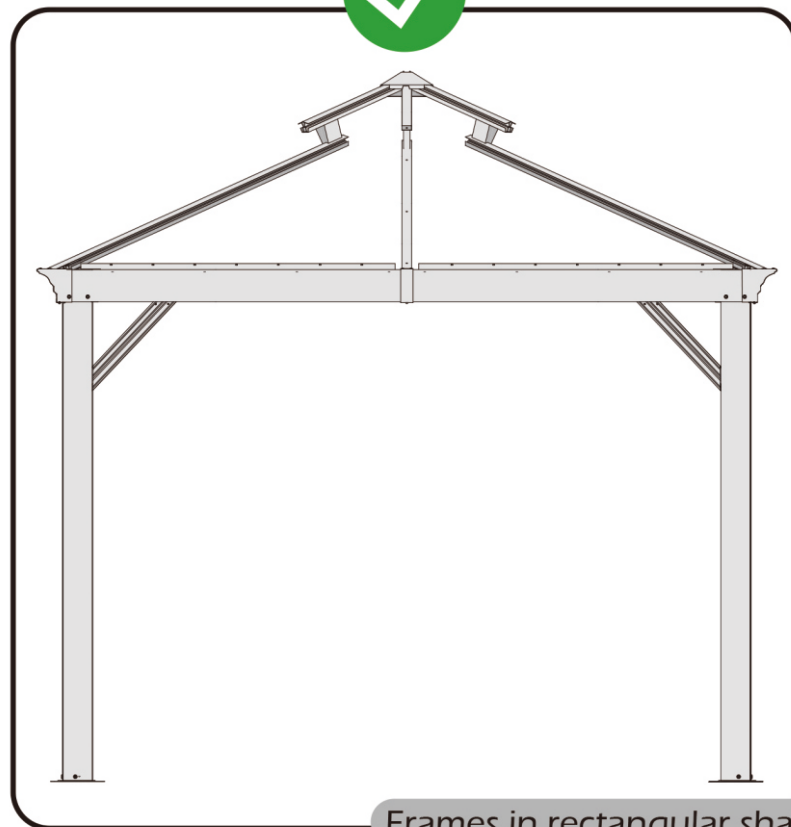
Repeat the above procedures to assemble the other 3 Corner Roof Tubes.



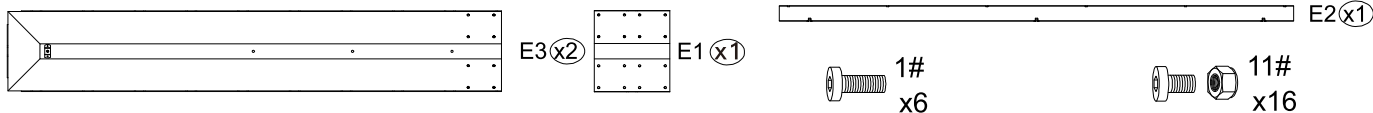
Check the the frame as pictures below shows.



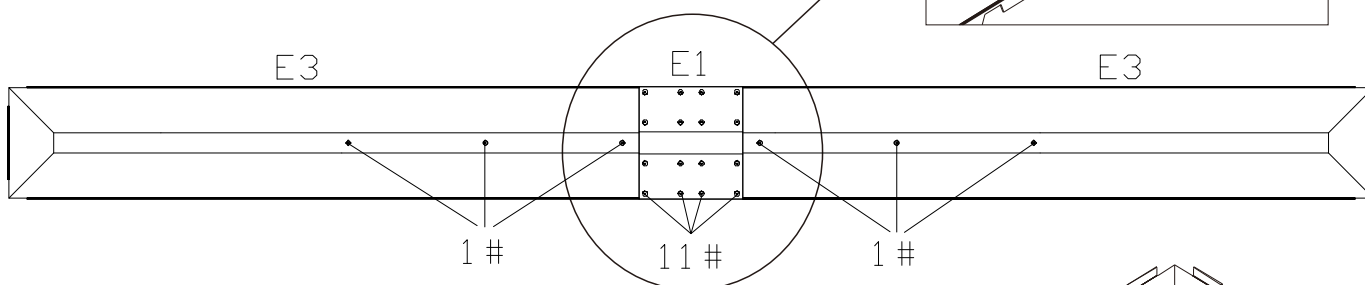
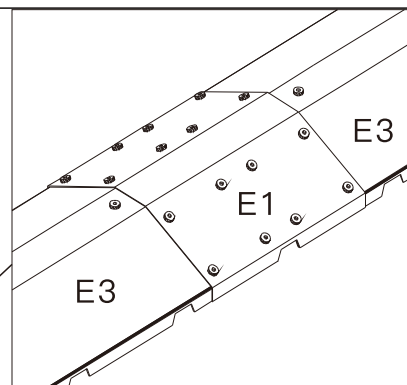
Frames in Parallelogram shape



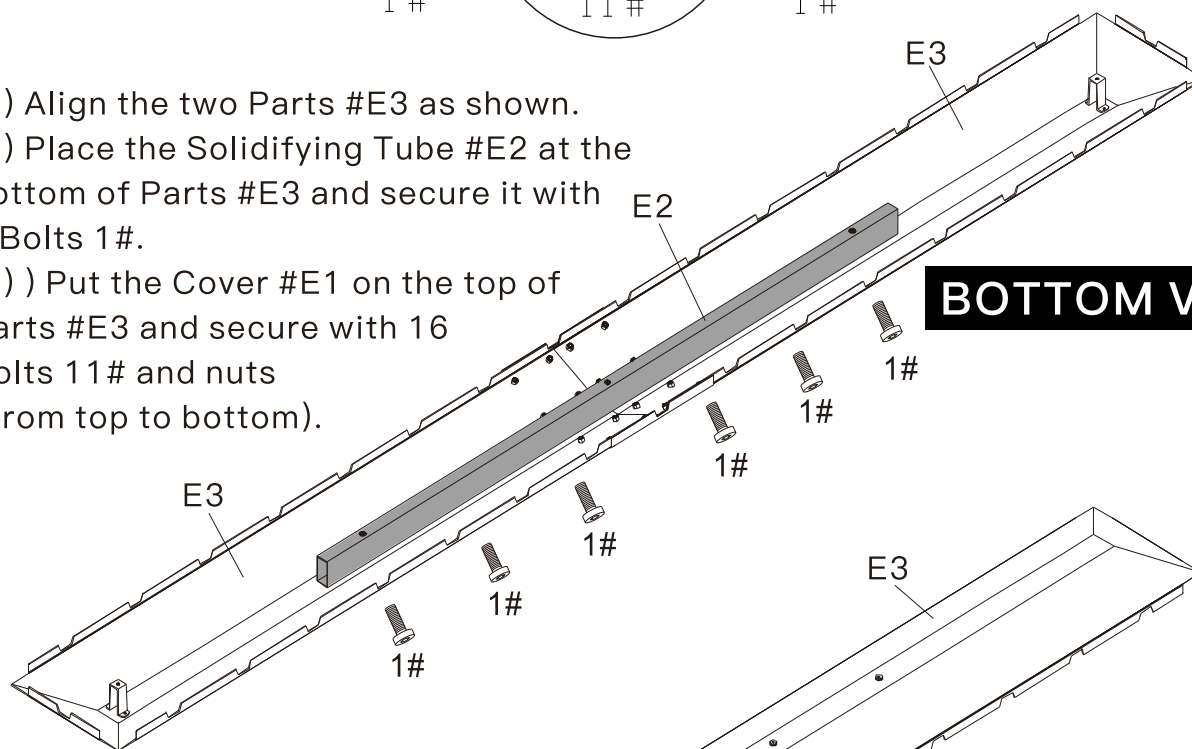
Frames in rectangular shape



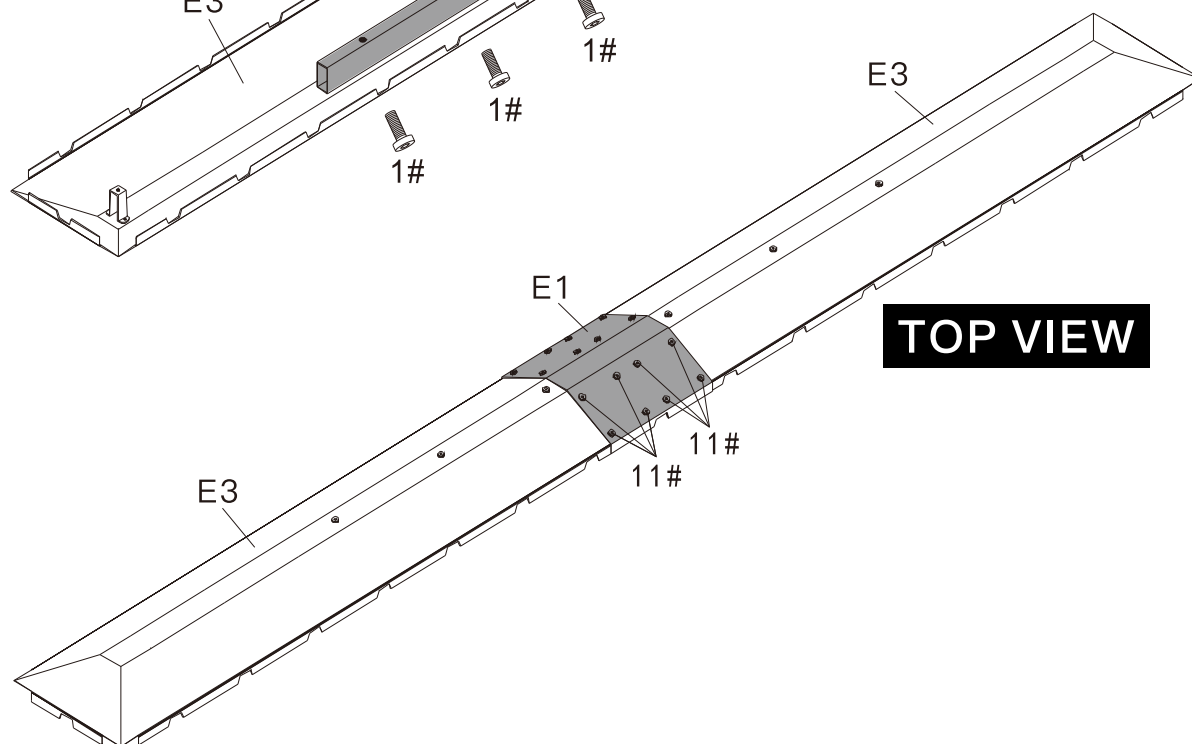
OUTSIDE ROOF COVER ASSEMBLY:



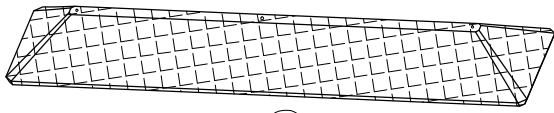
- (1) Align the two Parts #E3 as shown.
- (2) Place the Solidifying Tube #E2 at the bottom of Parts #E3 and secure it with 6 Bolts 1#.
- (3) Put the Cover #E1 on the top of Parts #E3 and secure with 16 Bolts 11# and nuts (From top to bottom).



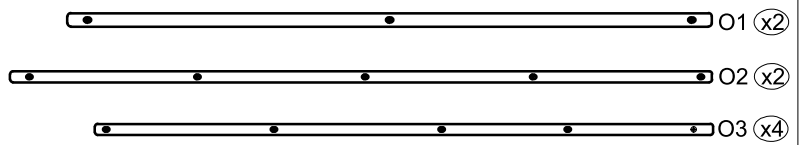
BOTTOM VIEW



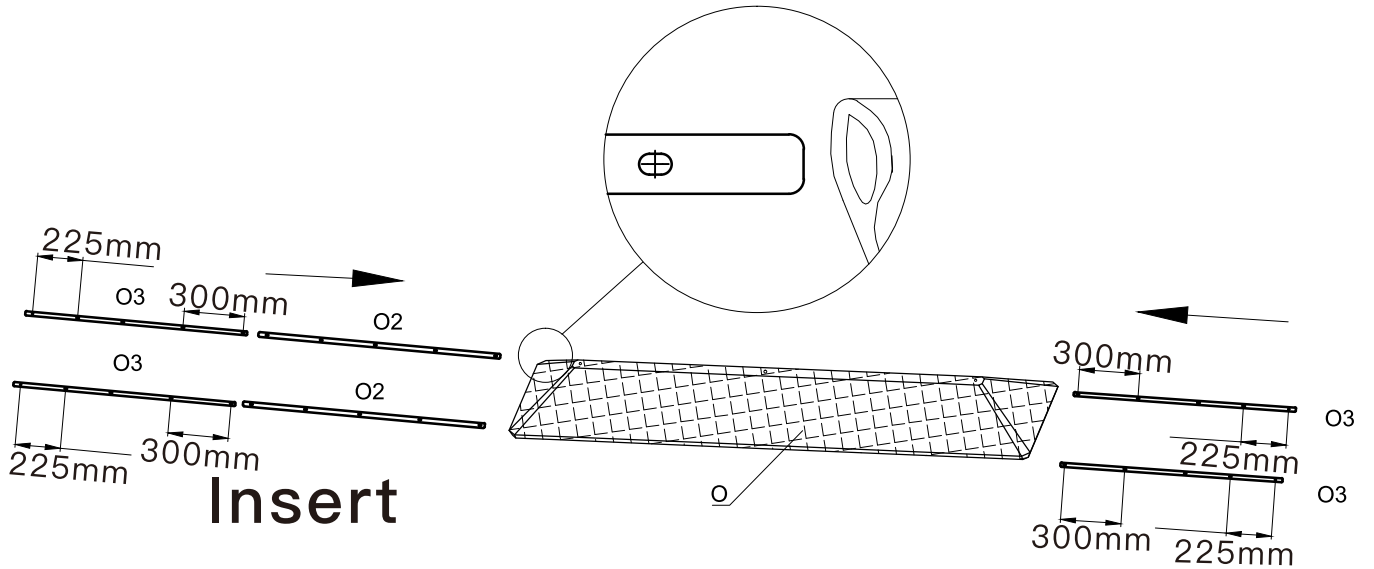
TOP VIEW



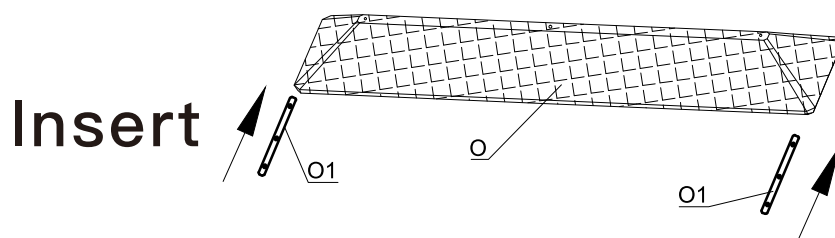
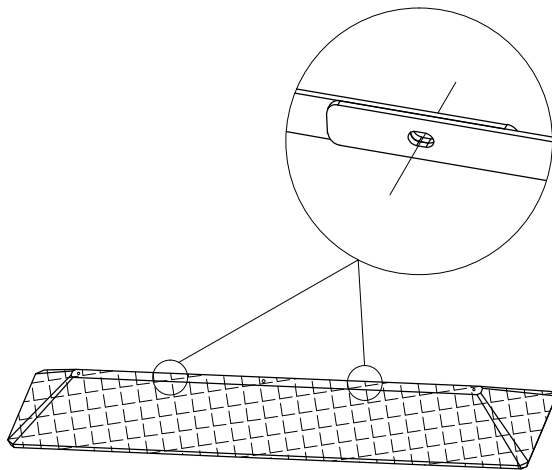
O (x1)

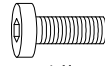


PLASTIC BARS ASSEMBLY:



Please pay attention to the installation position of the O3 and do not install it backwards.

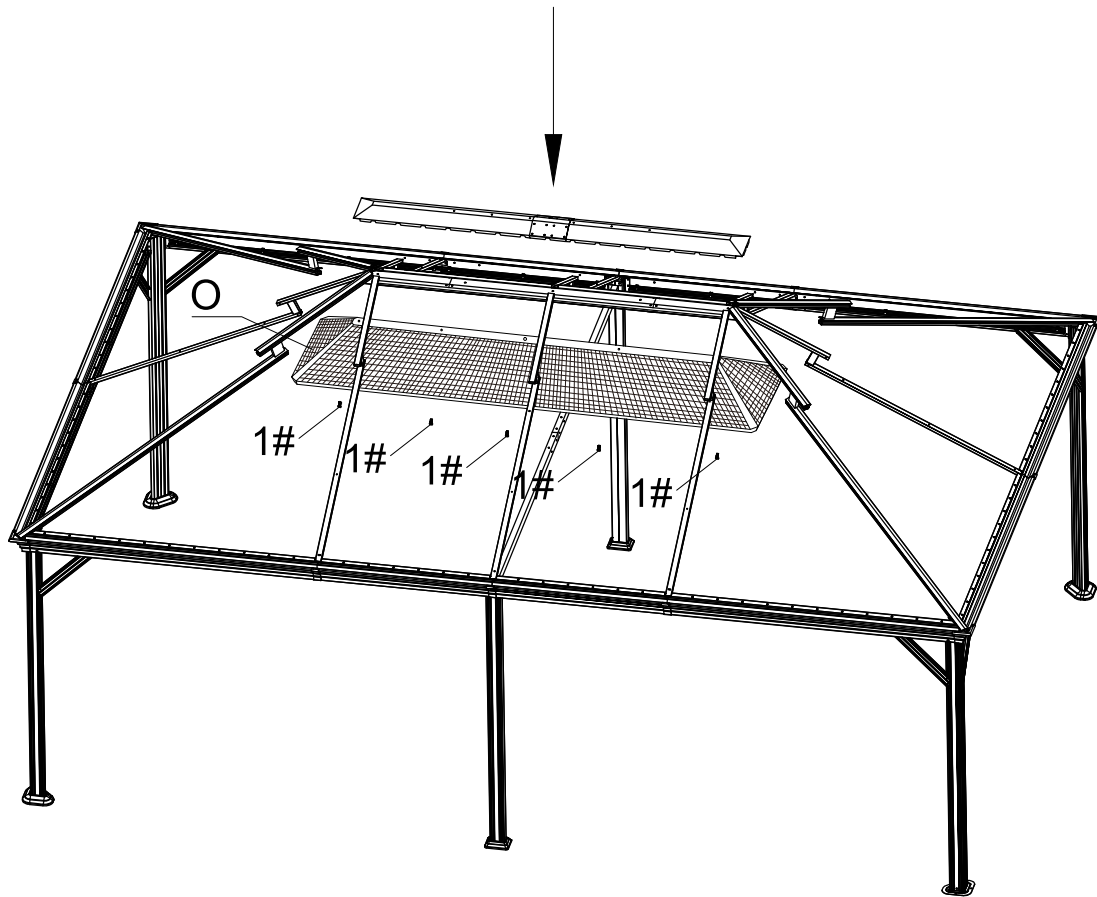


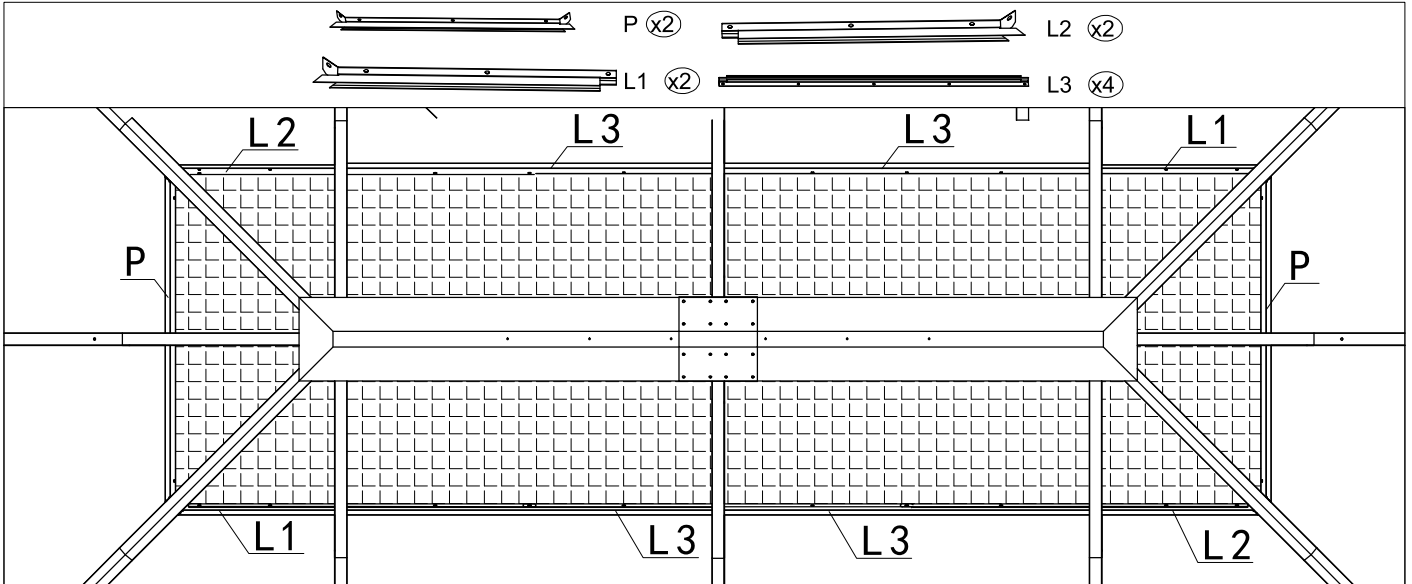


1#
x5

OUTSIDE ROOF COVER AND MESH ASSEMBLY:

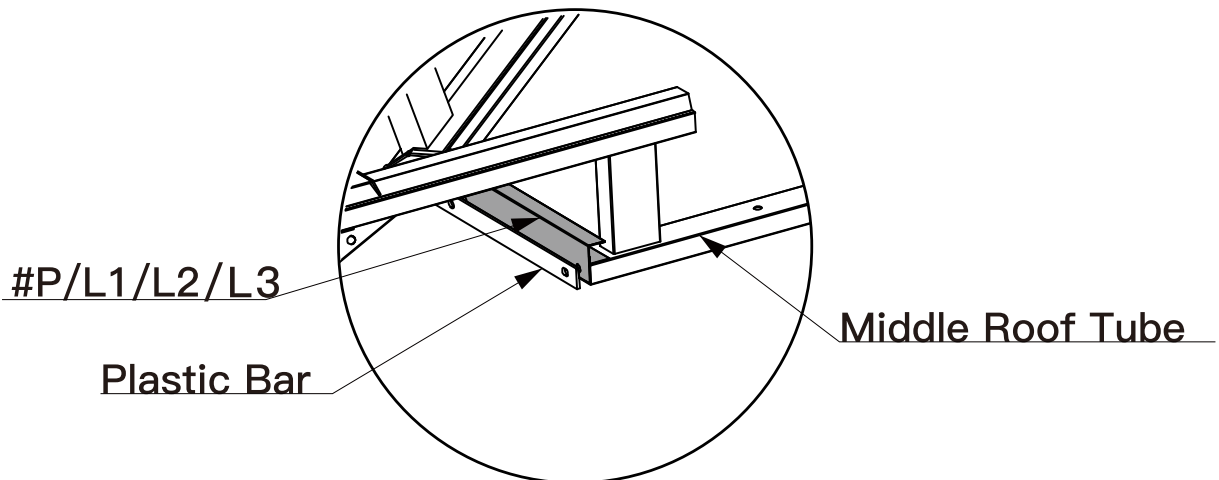
- (1) Place the Outside Roof Cover on the Inside Roof Cover.
- (2) Align the holes and use 5 Bolts 1# to secure Small Mesh #0 to the Inside Roof Cover (From Bottom to Top).





TOP VIEW

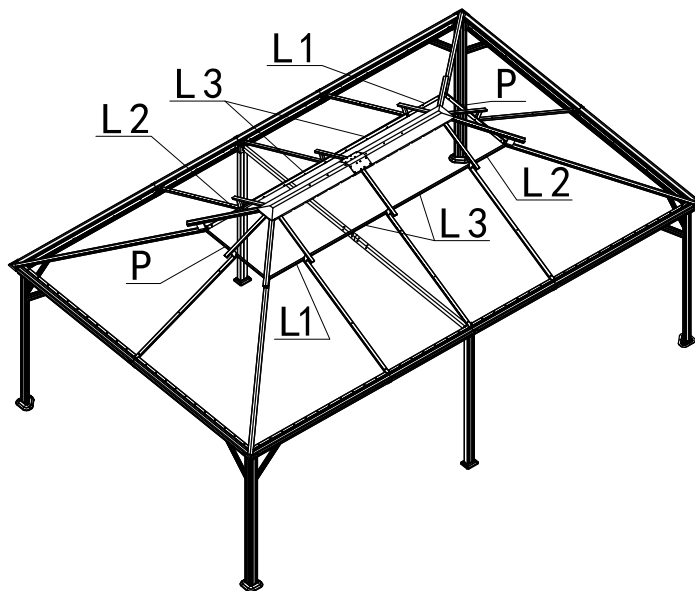
Extend the small mesh



INSIDE VIEW

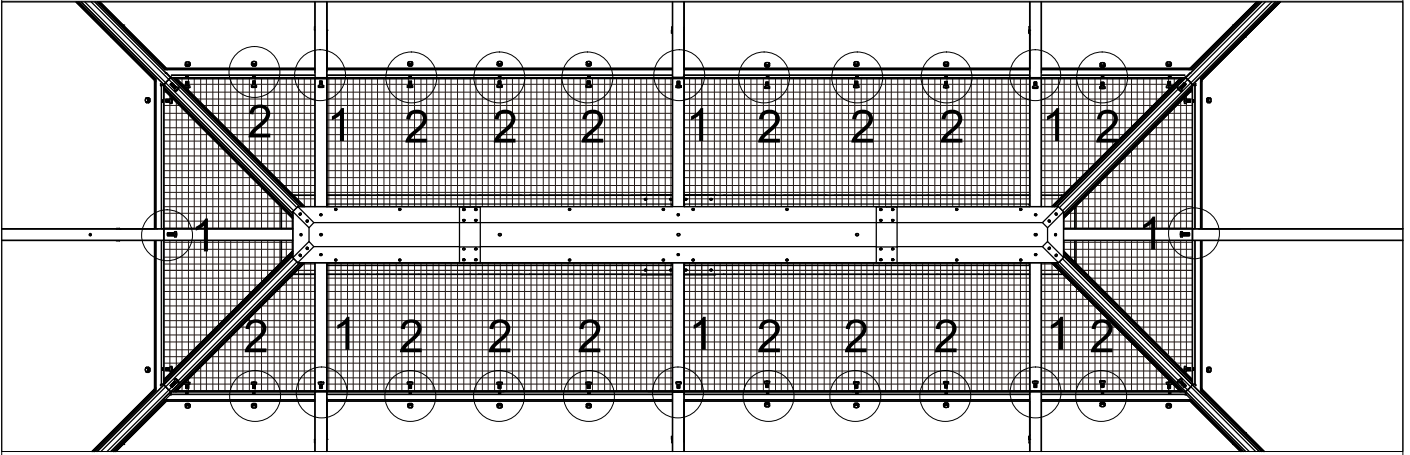


Please do not pull plastic bar out when installing it with #P, L1 & L2 & L3 to the middle roof tube.

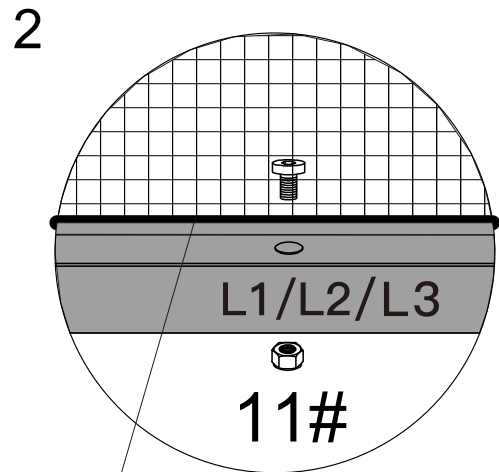
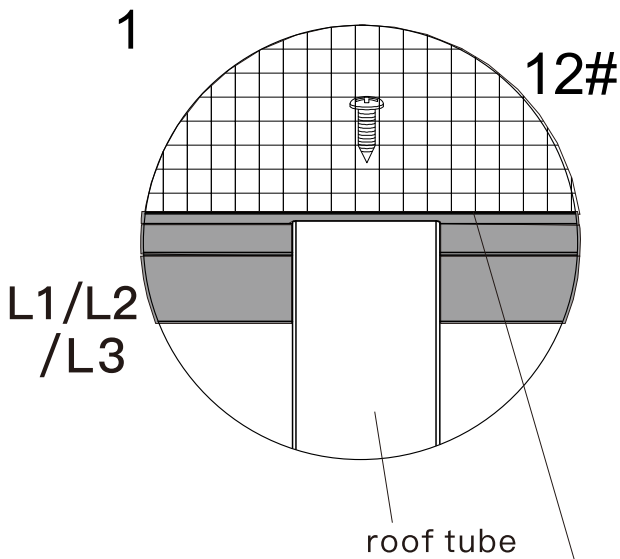


12#
x8

11#
x16

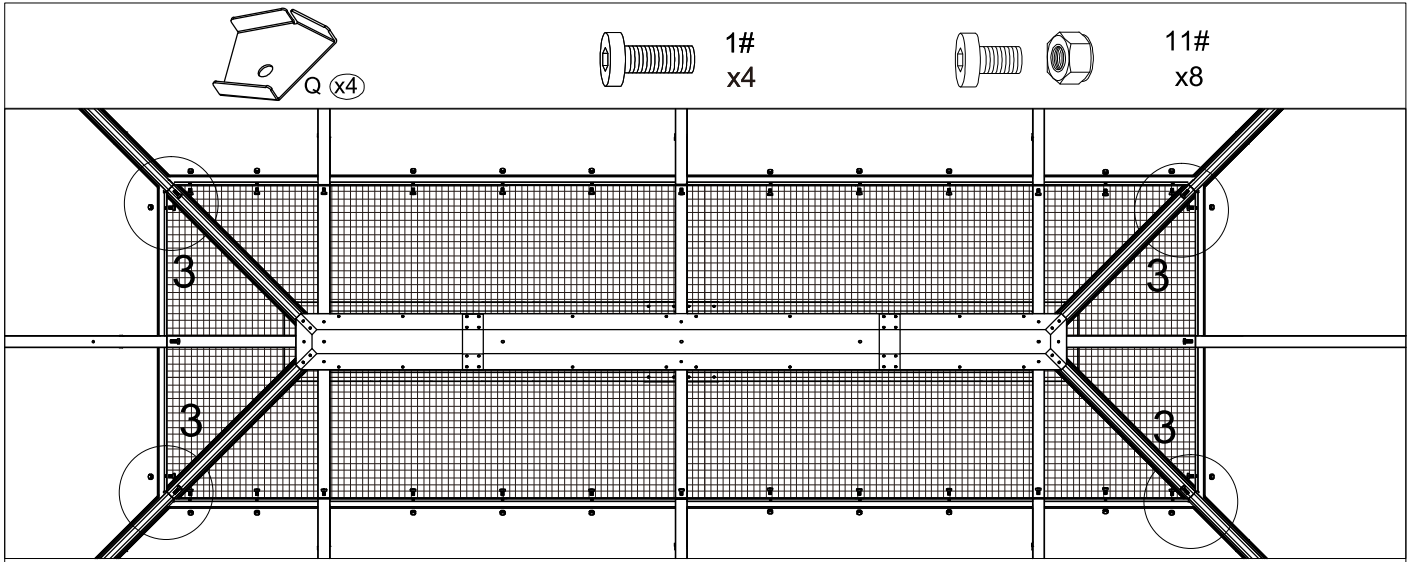


BOTTOM VIEW

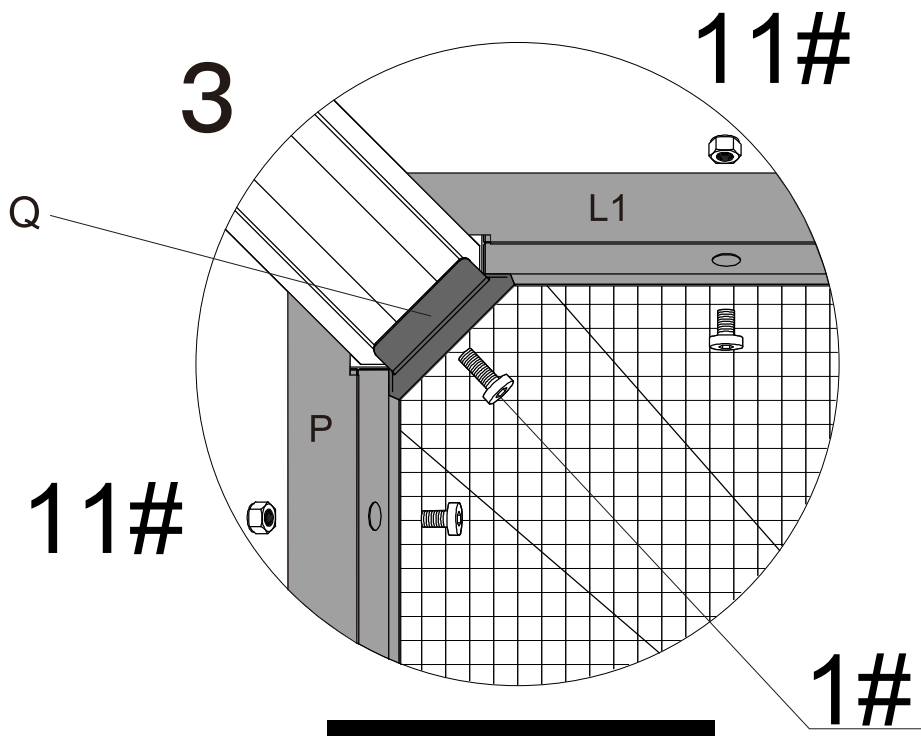


Plastic Bar
in the mesh

Extend the small mesh, then secure the plastic bar (inside the small mesh) and the finishing bar to the middle roof tube.

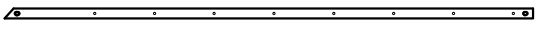


BOTTOM VIEW

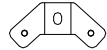


INSIDE VIEW

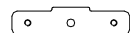
- (1) Use 2 bolts and nuts #11 to secure the small mesh, plastic bar to finishing bar.
- (2) Use bolt #1 to secure the small mesh and finishing end #Q to the corner roof tube.
- (3) Repeat above procedures to assemble the other 3 sides.



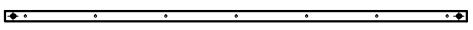
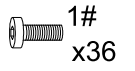
U1 x8



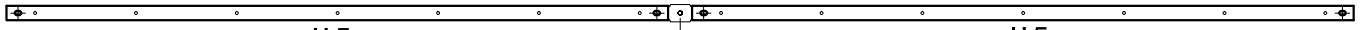
U3 x4



U4 x8



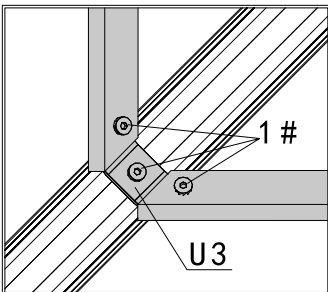
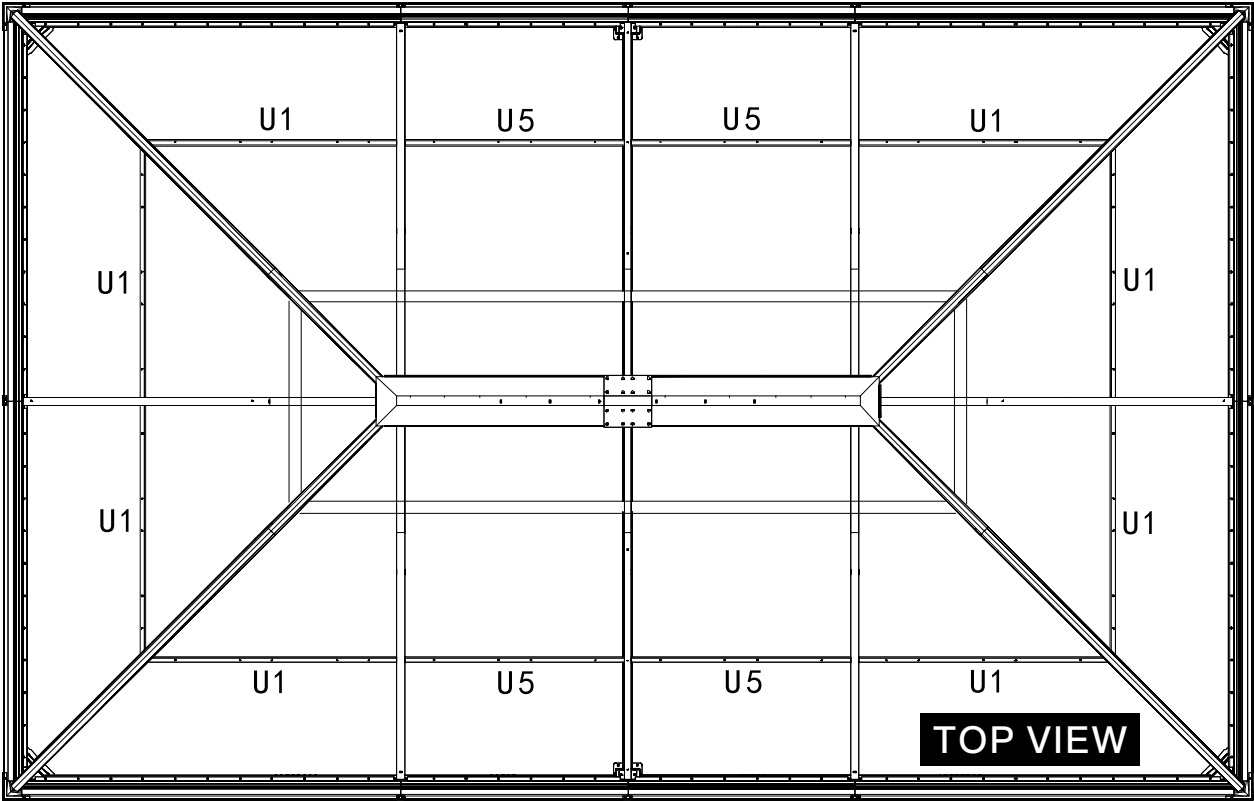
U5 x4



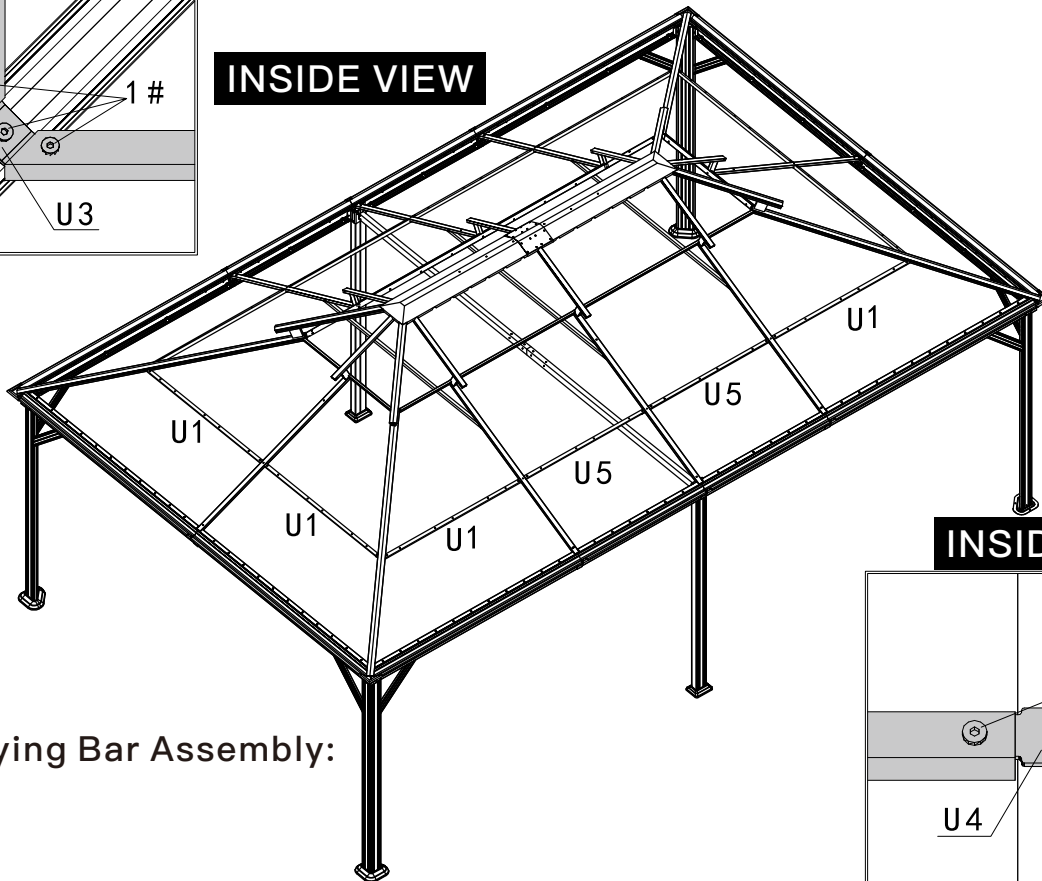
U5

U4

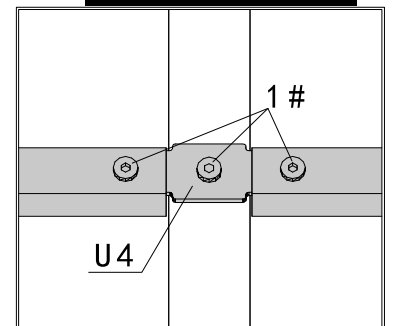
U5



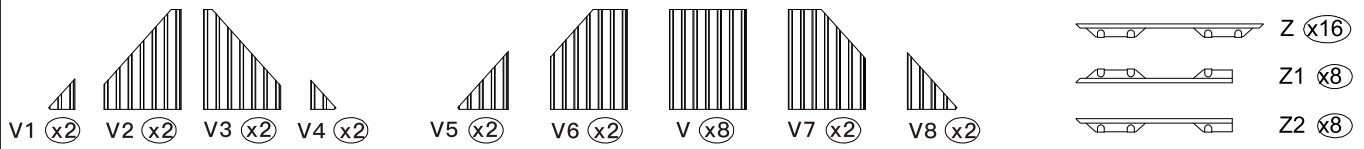
INSIDE VIEW



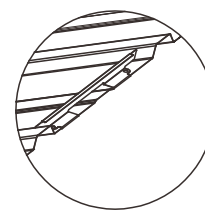
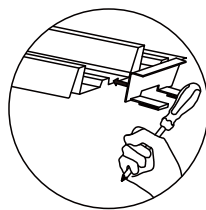
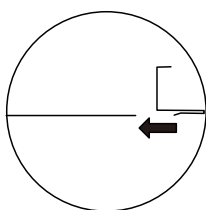
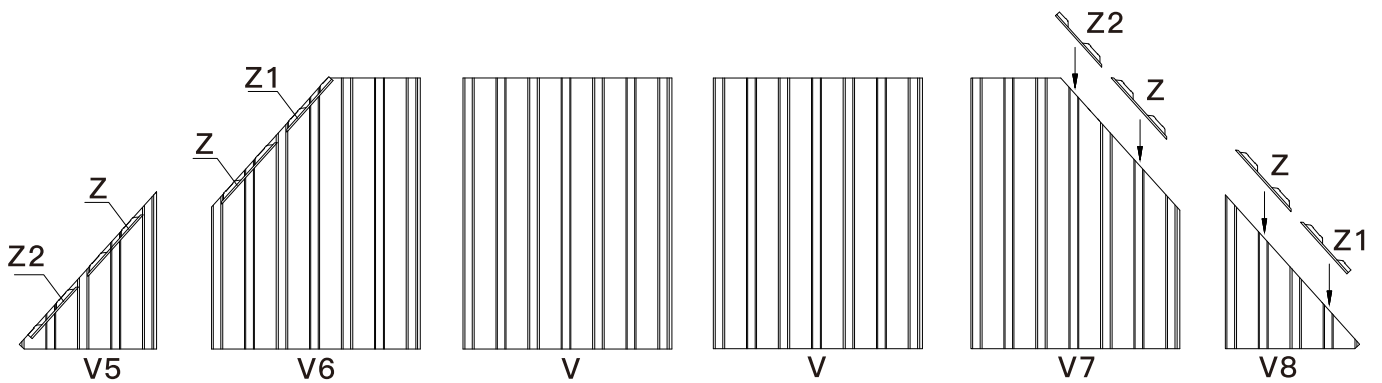
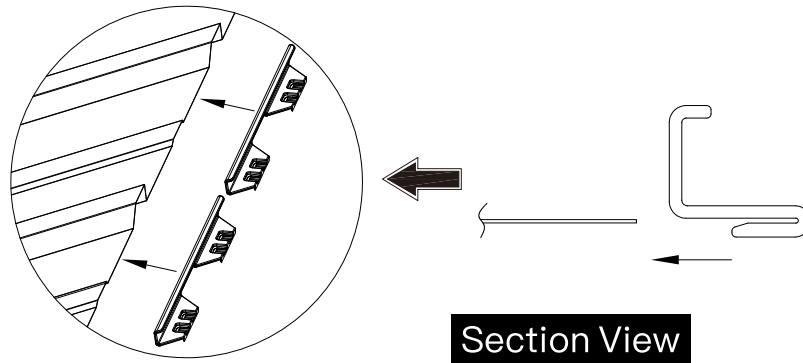
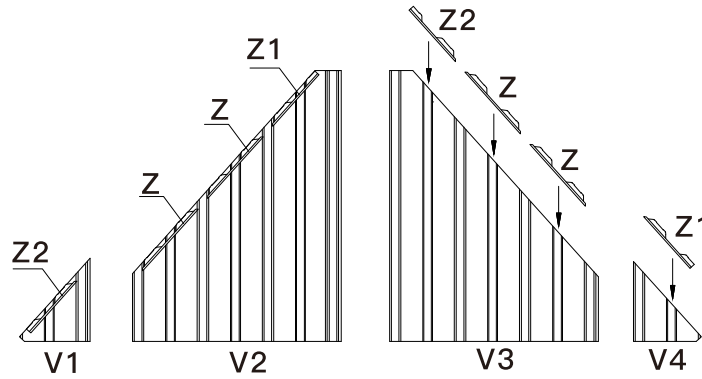
INSIDE VIEW



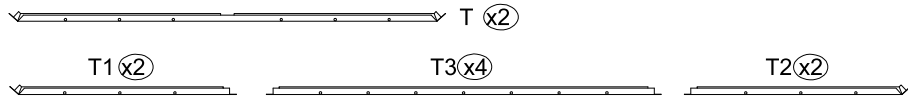
Solidifying Bar Assembly:



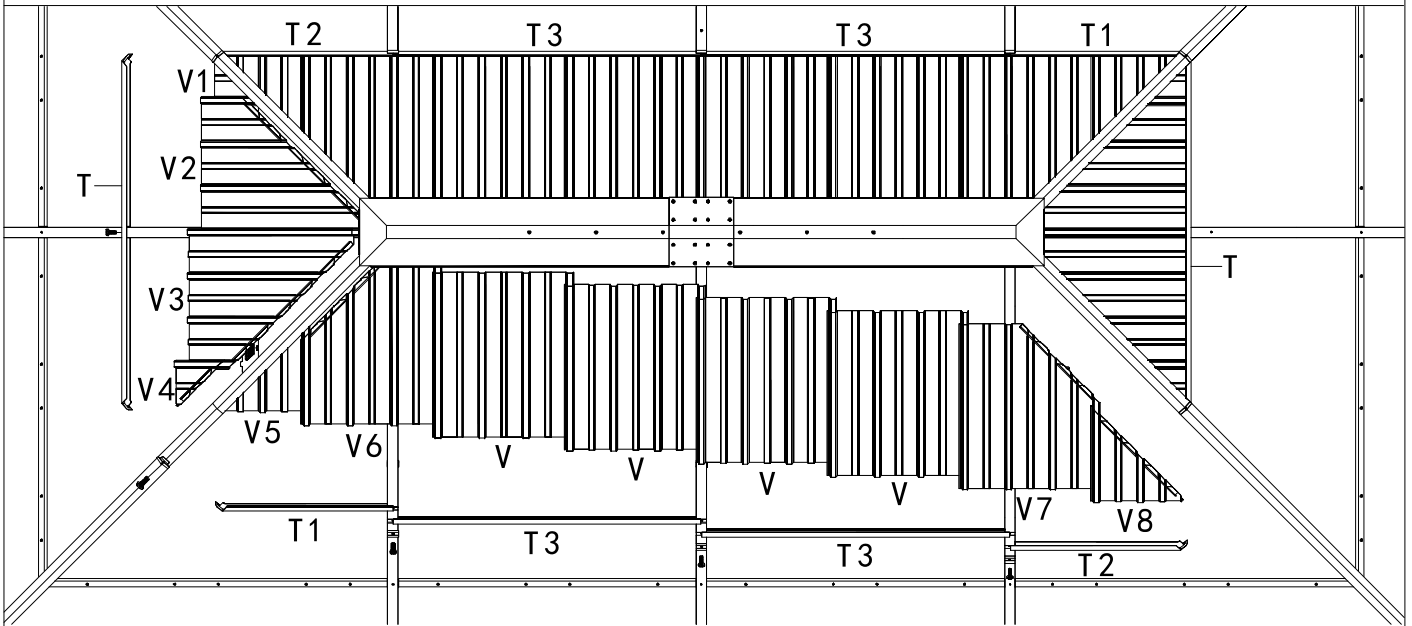
Remove the protective film of the panels before installing the roof panels.
Please install Plastic Clips in strict accordance with the instructions.



Attach Part #Z,#Z1,#Z2 by lightly tapping with screwdriver.



SMALL ROOF ASSEMBLY:

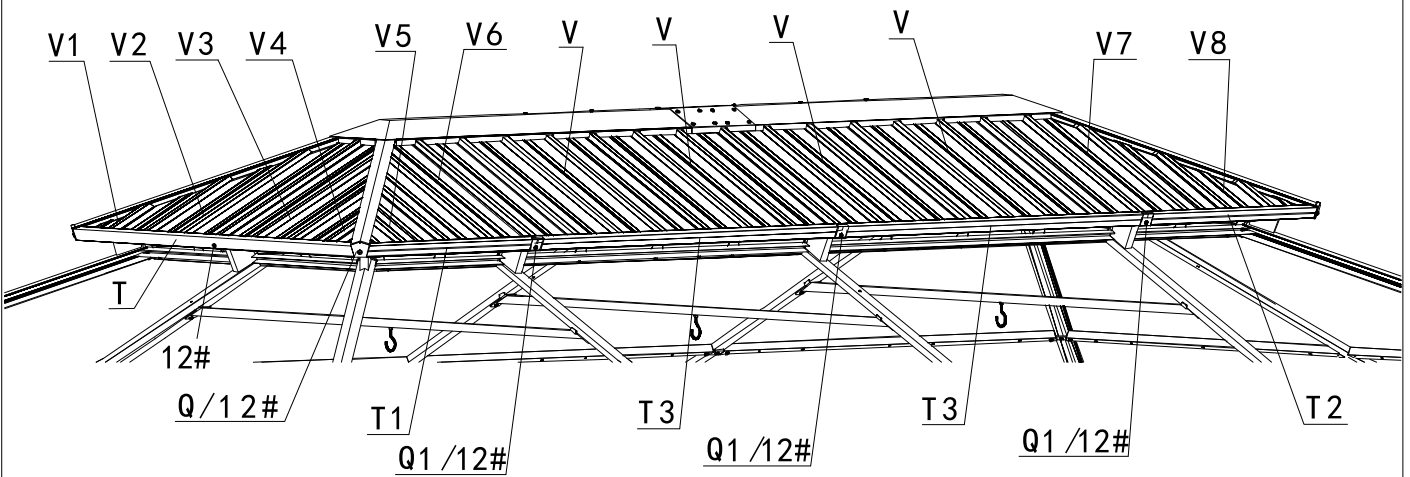
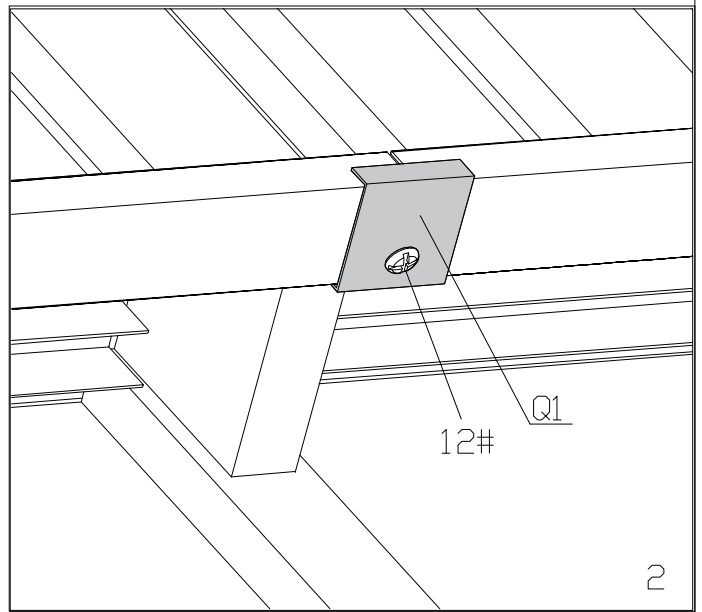
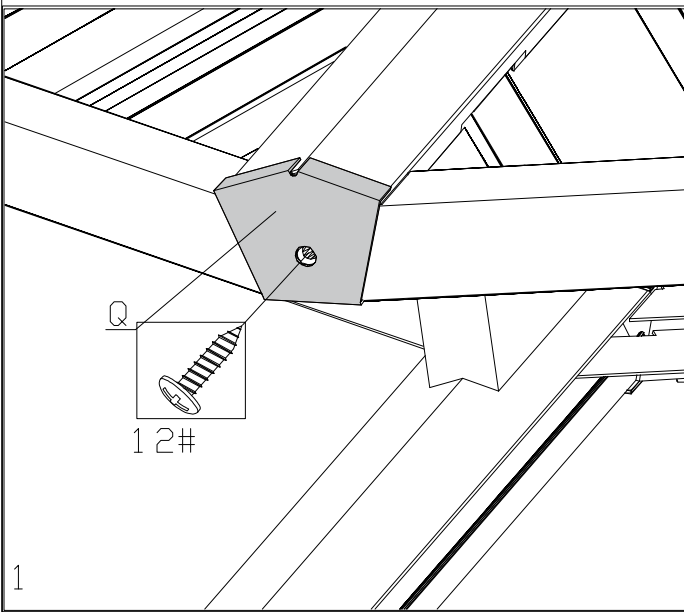


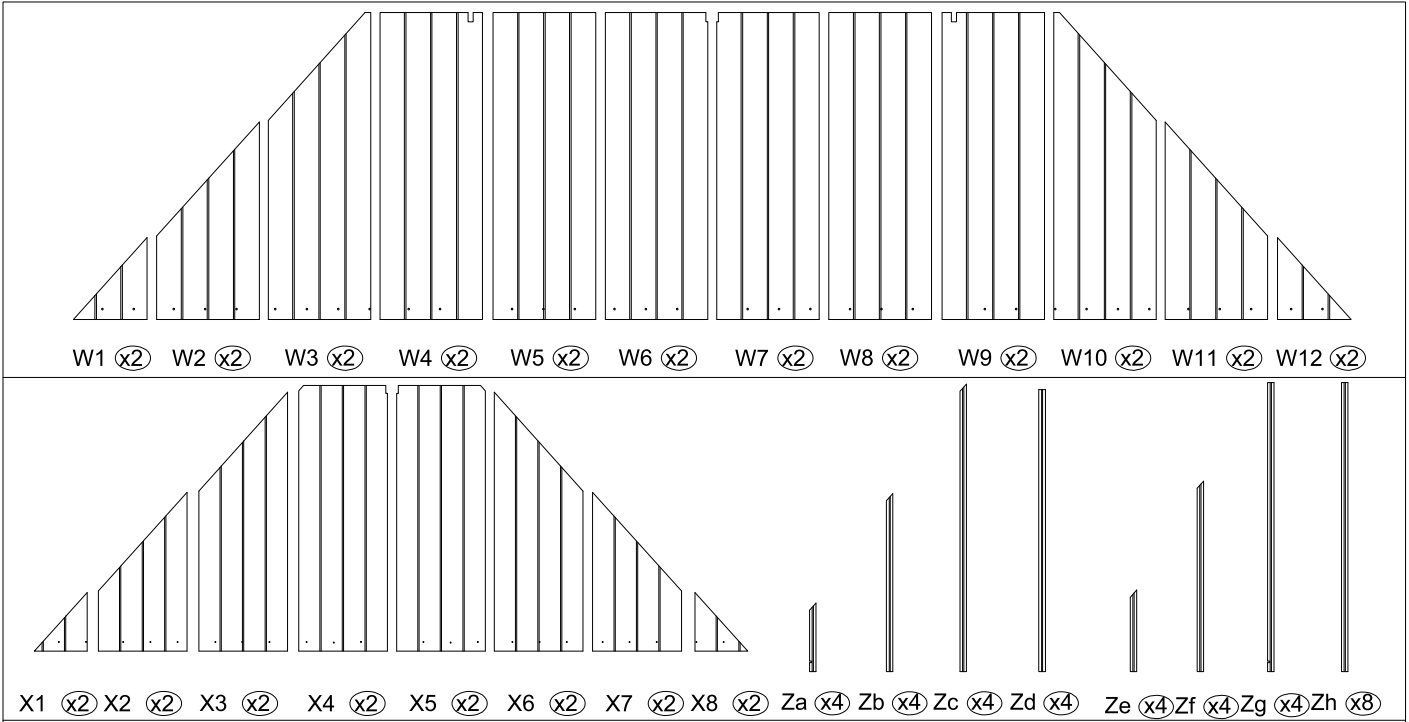
If you can't install #V, push the Outside Roof Cover up and try to insert them again.

Q (x4)

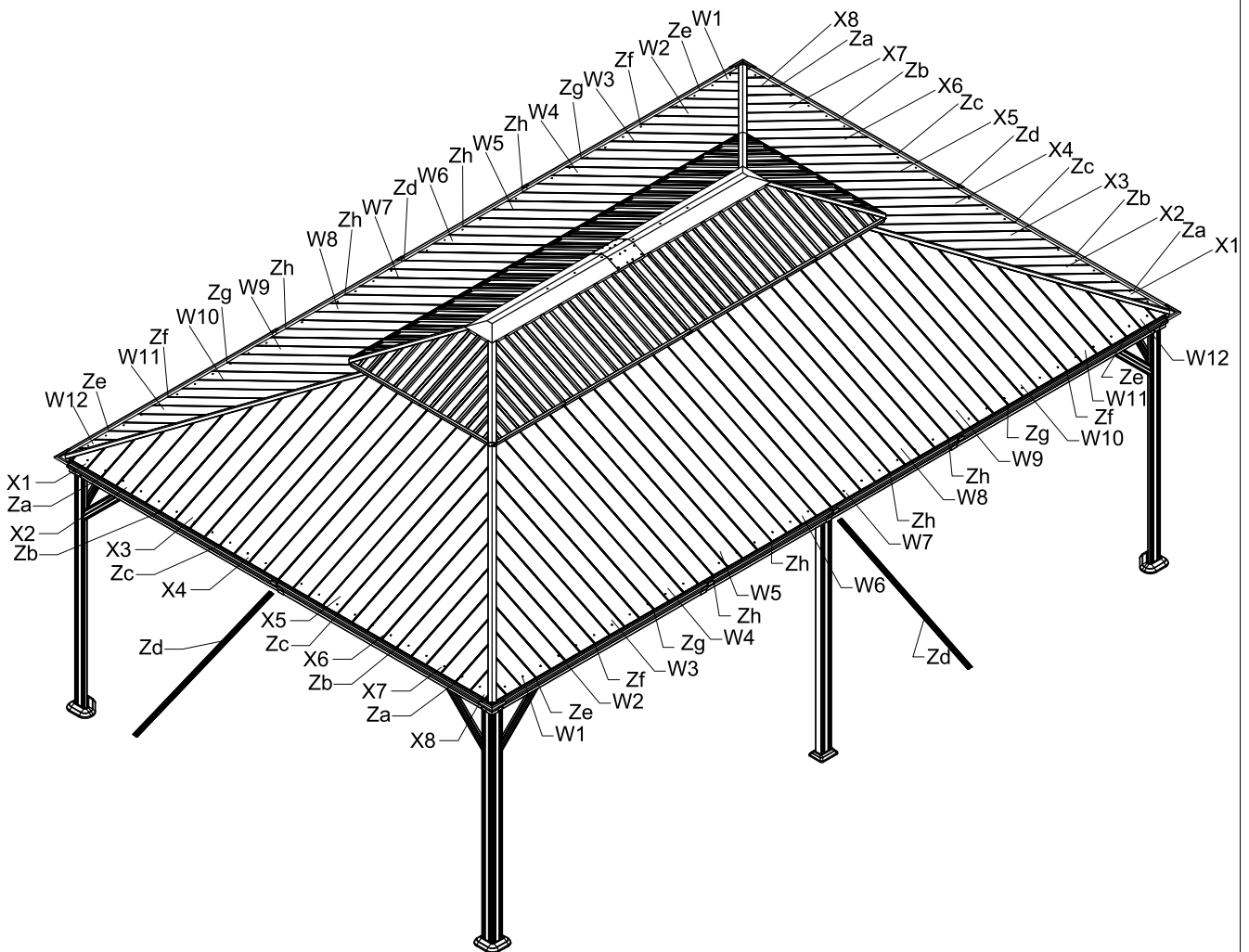
Q1 (x6)

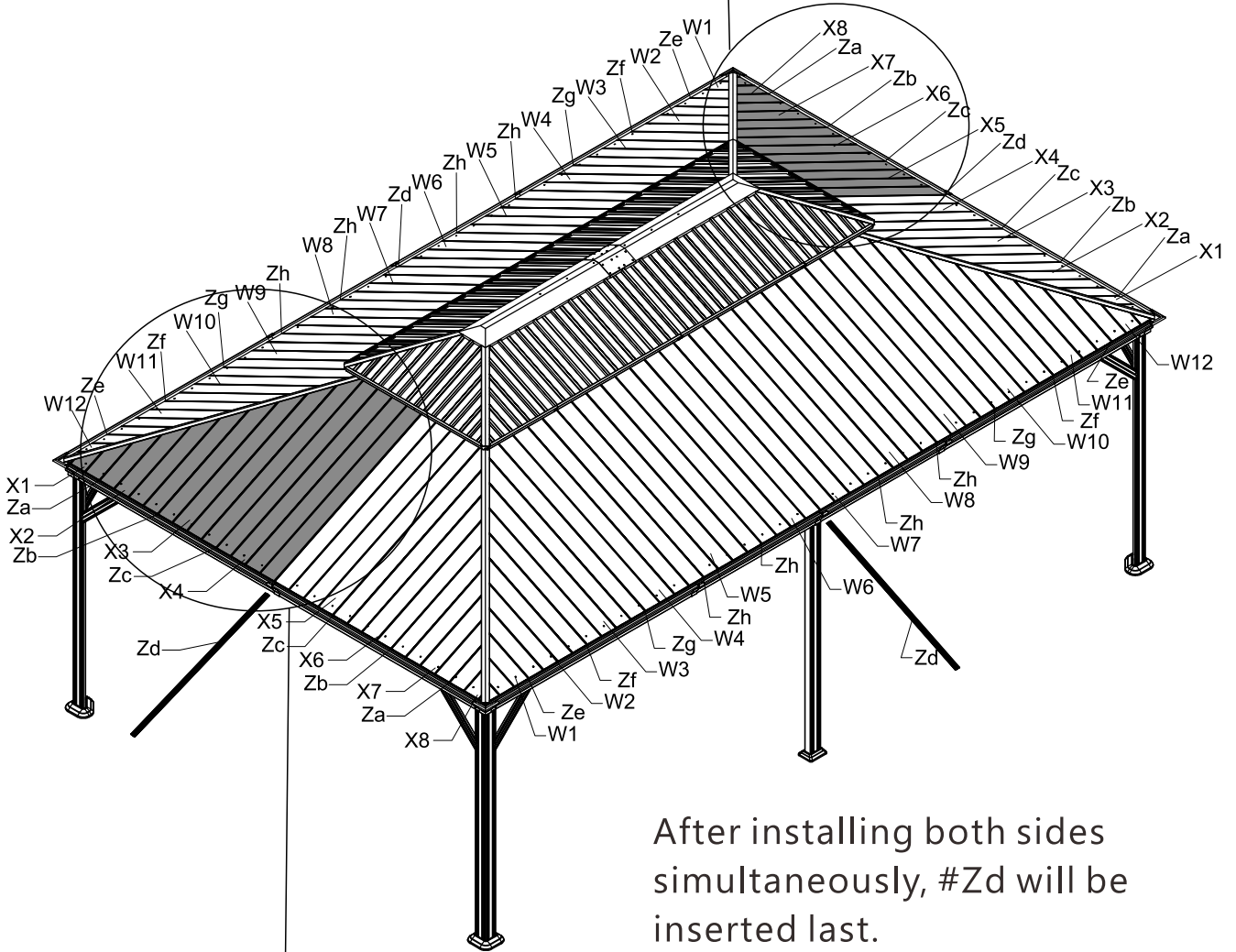
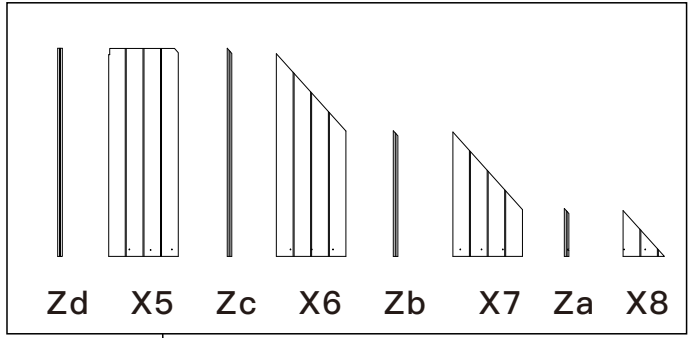
12#
x12



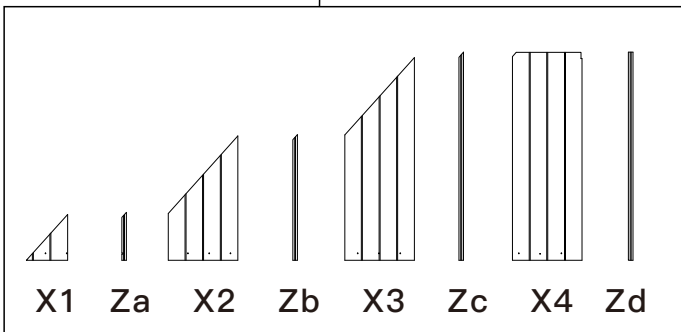


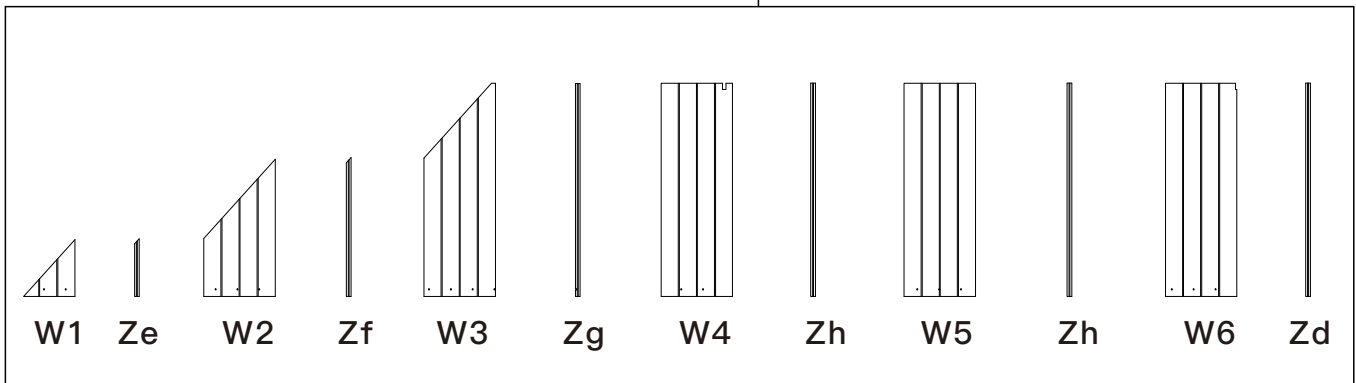
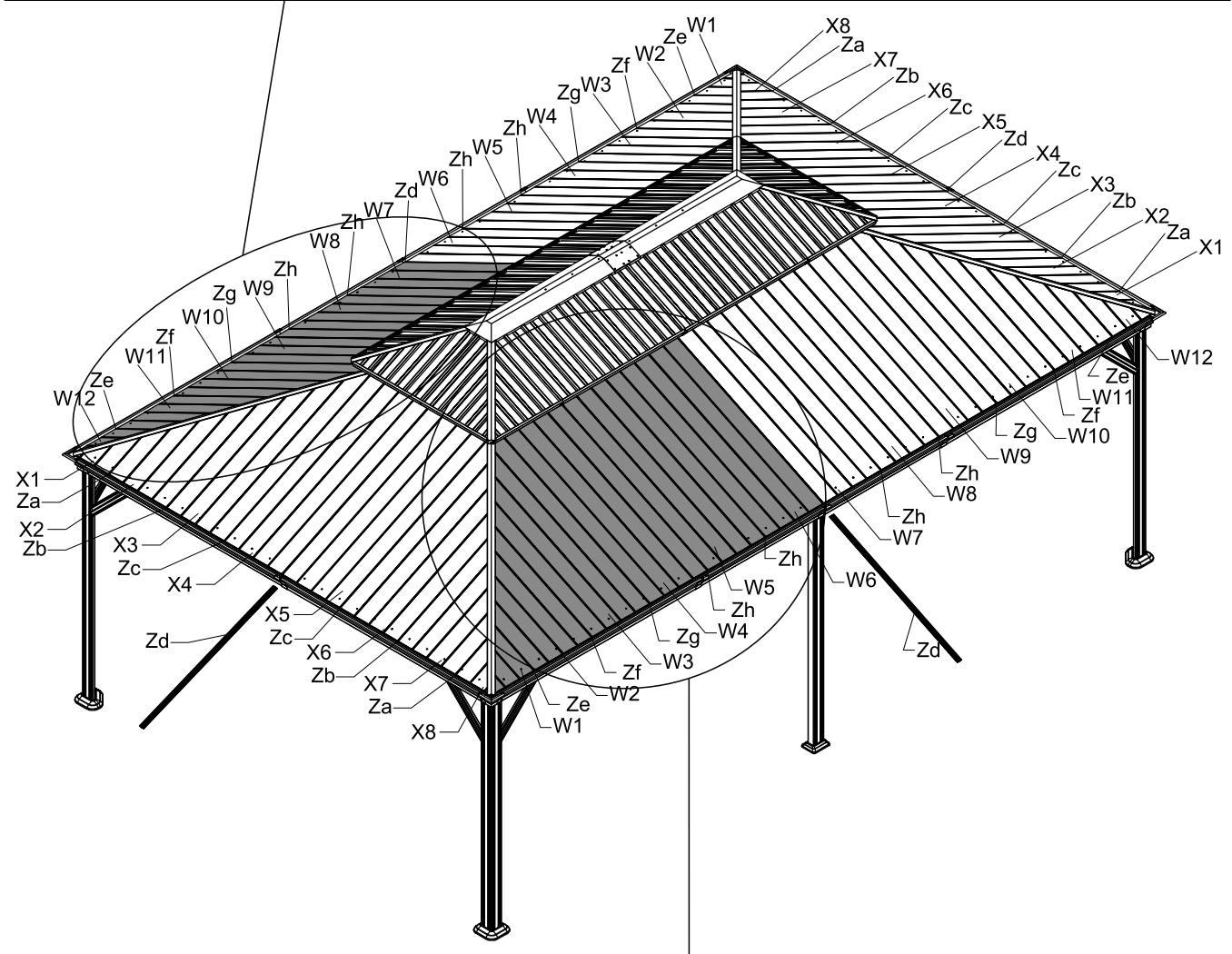
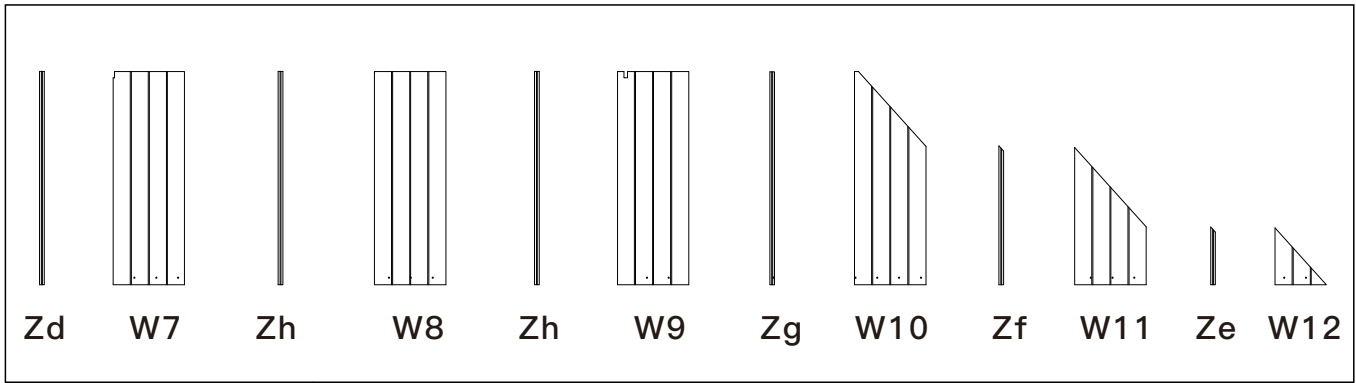
RESIN ROOF ASSMEBLY:



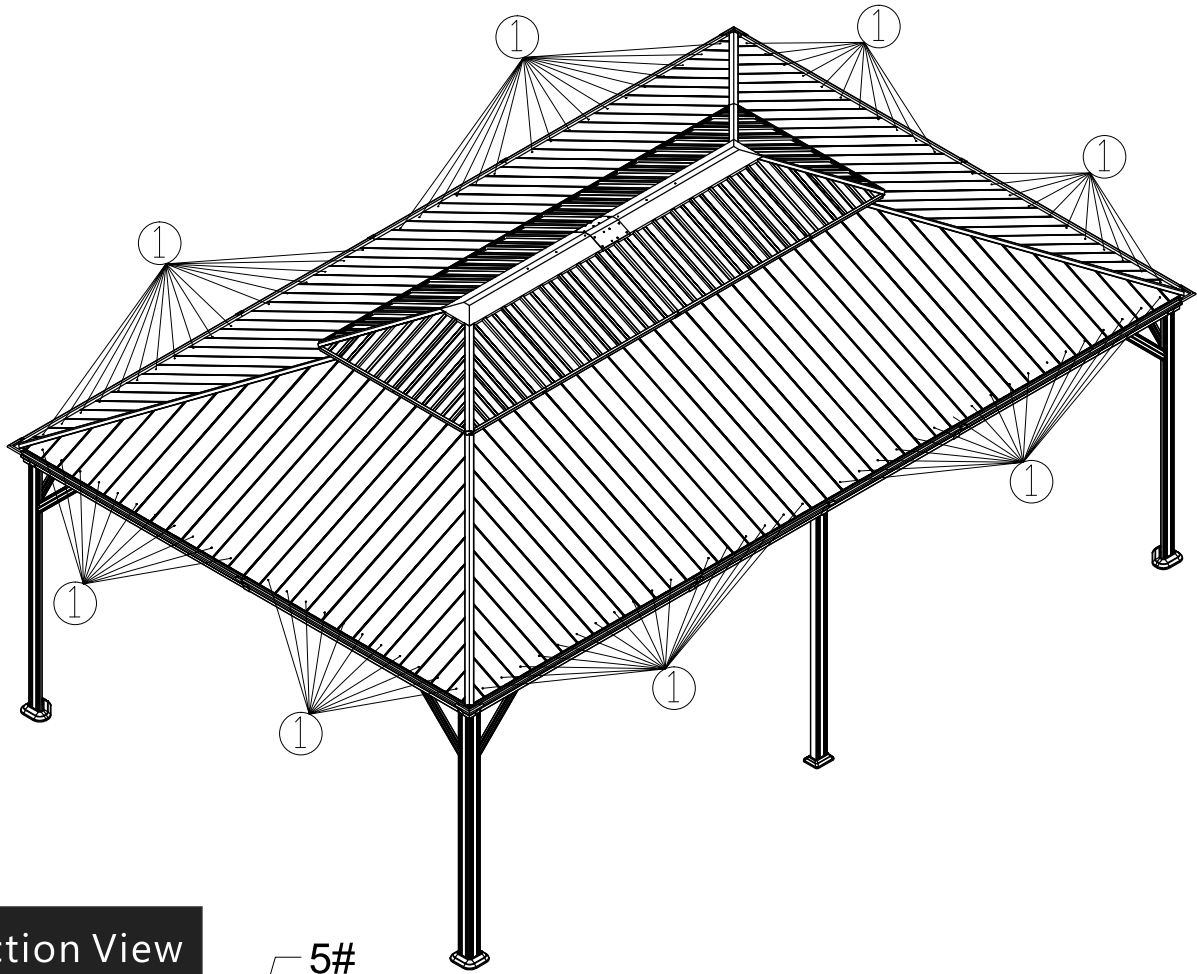
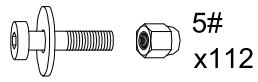


After installing both sides simultaneously, #Zd will be inserted last.
 Repeat the above procedures to assemble the opposite side.

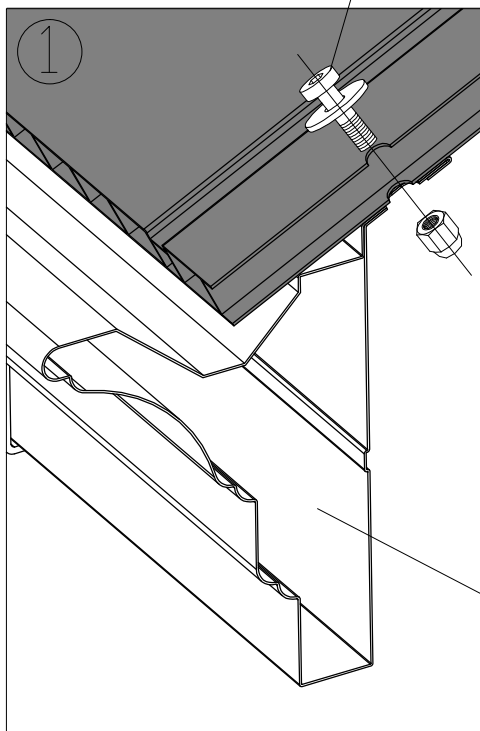




After installing both sides simultaneously, #Zd will be inserted last.
 Repeat the above procedures to assemble the opposite side.

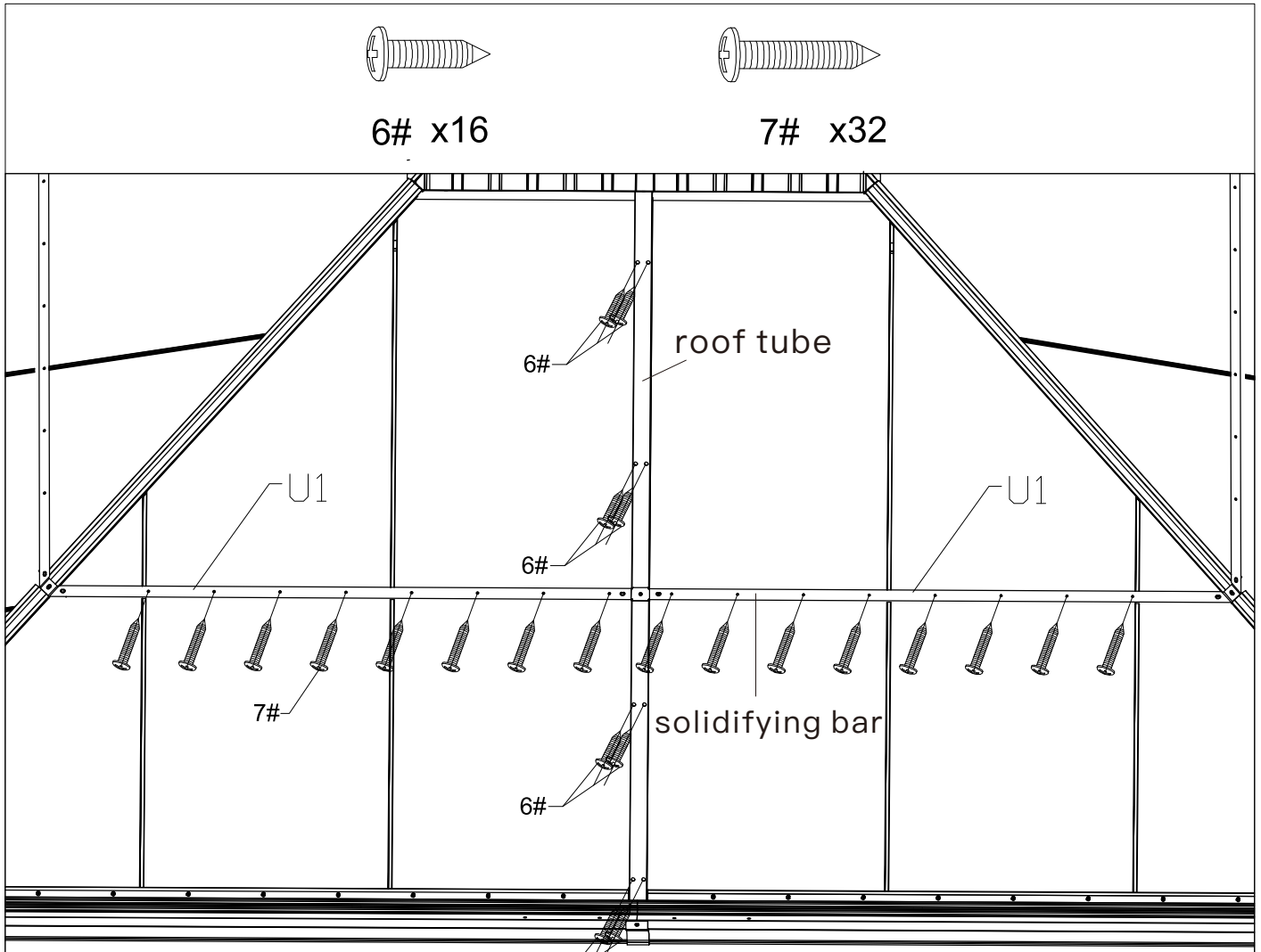


Section View

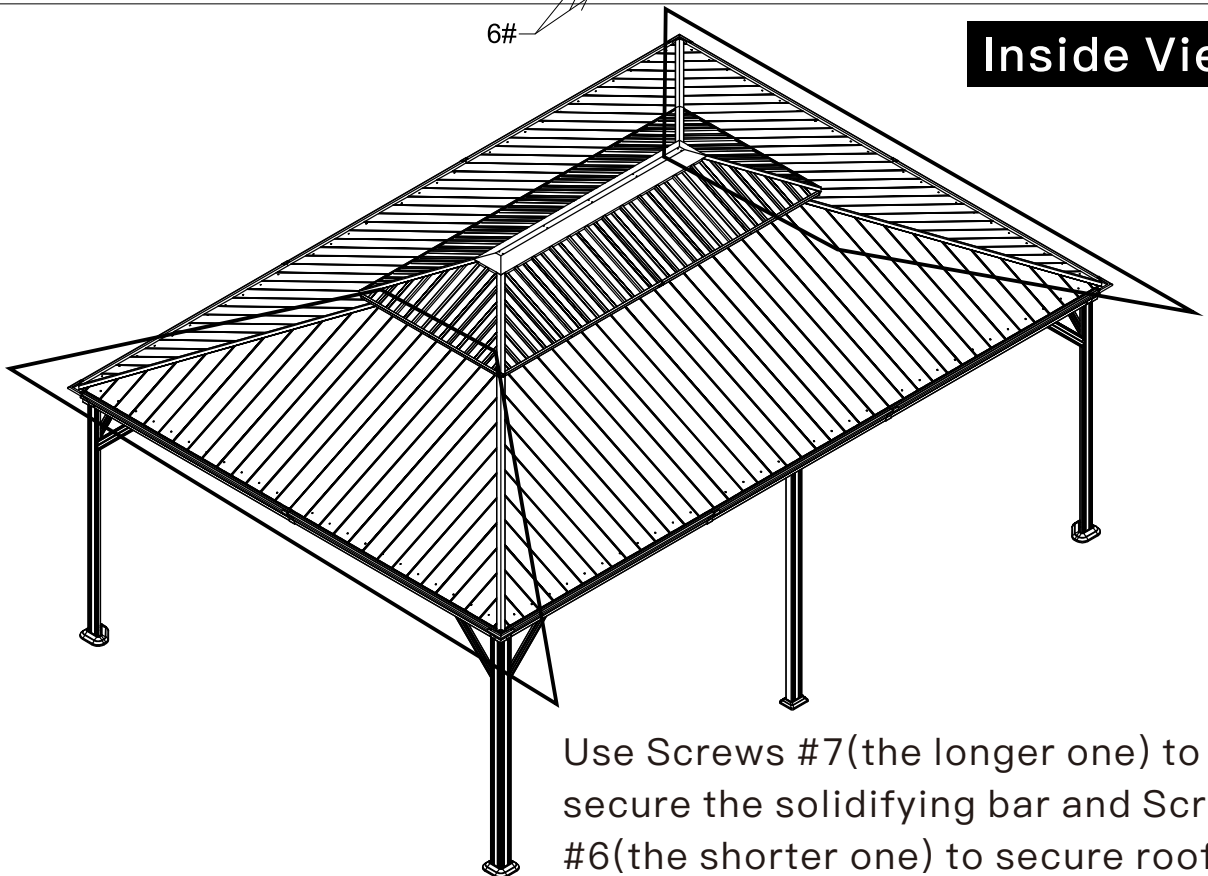


①: Use bolts #5 to secure the roof panel to the beam.

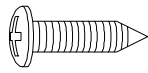
C1/C2/C3/C4/C5/C6



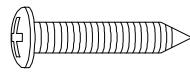
Inside View



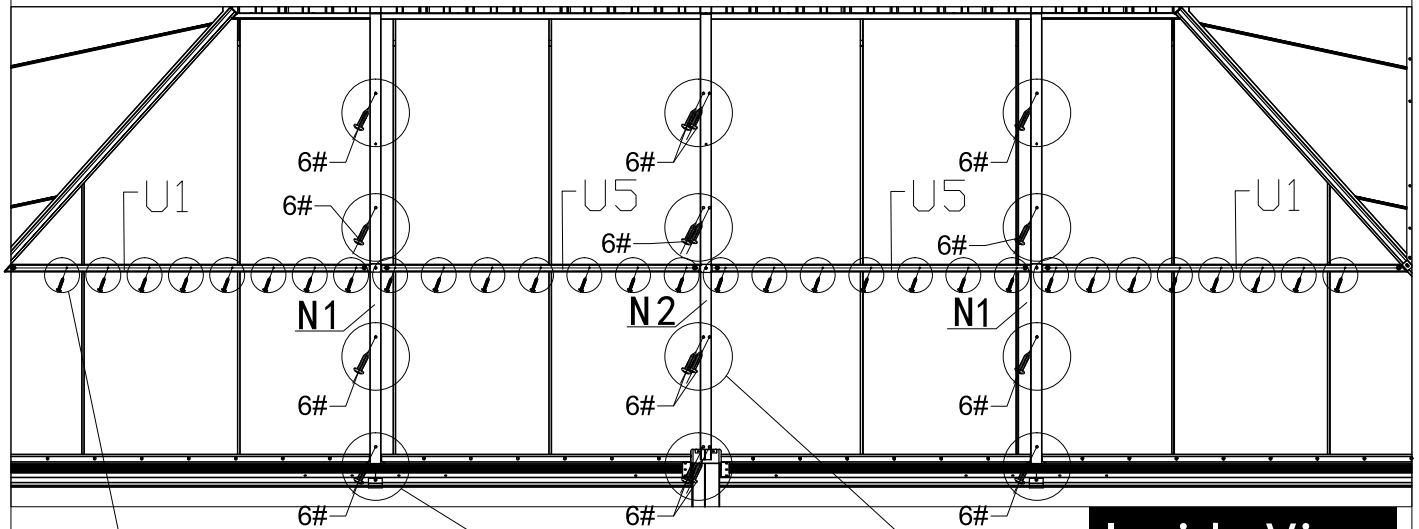
Use Screws #7 (the longer one) to secure the solidifying bar and Screws #6 (the shorter one) to secure roof tube to the roof panels.



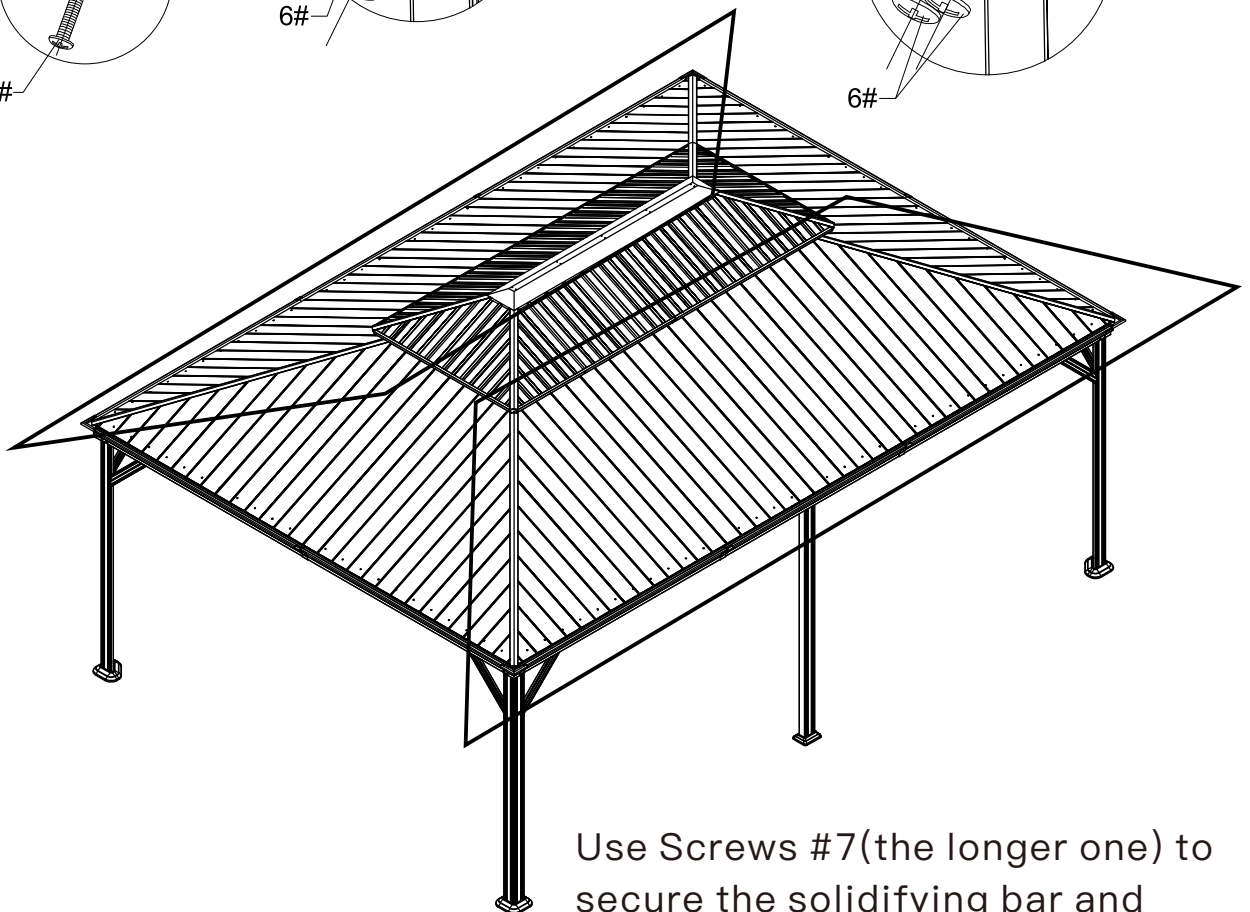
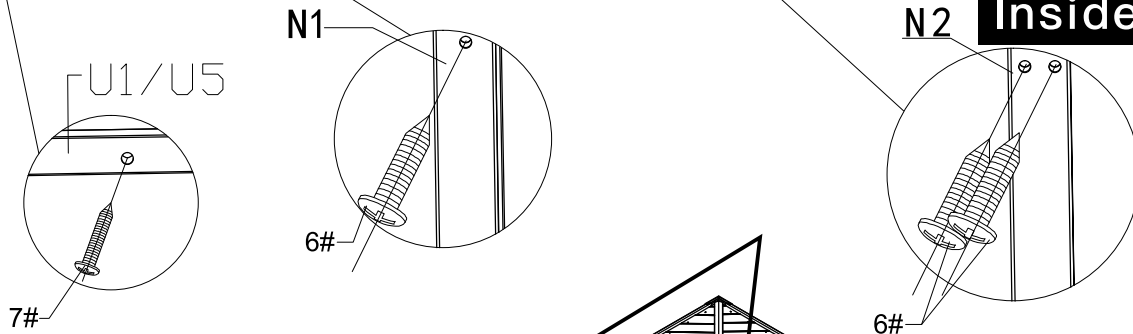
6# x32



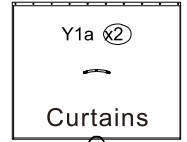
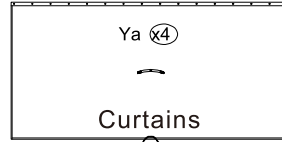
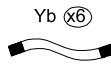
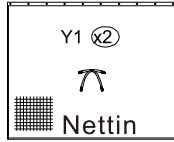
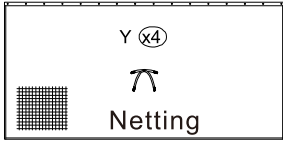
7# x60



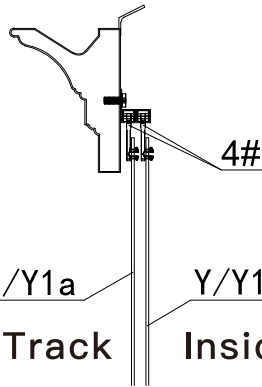
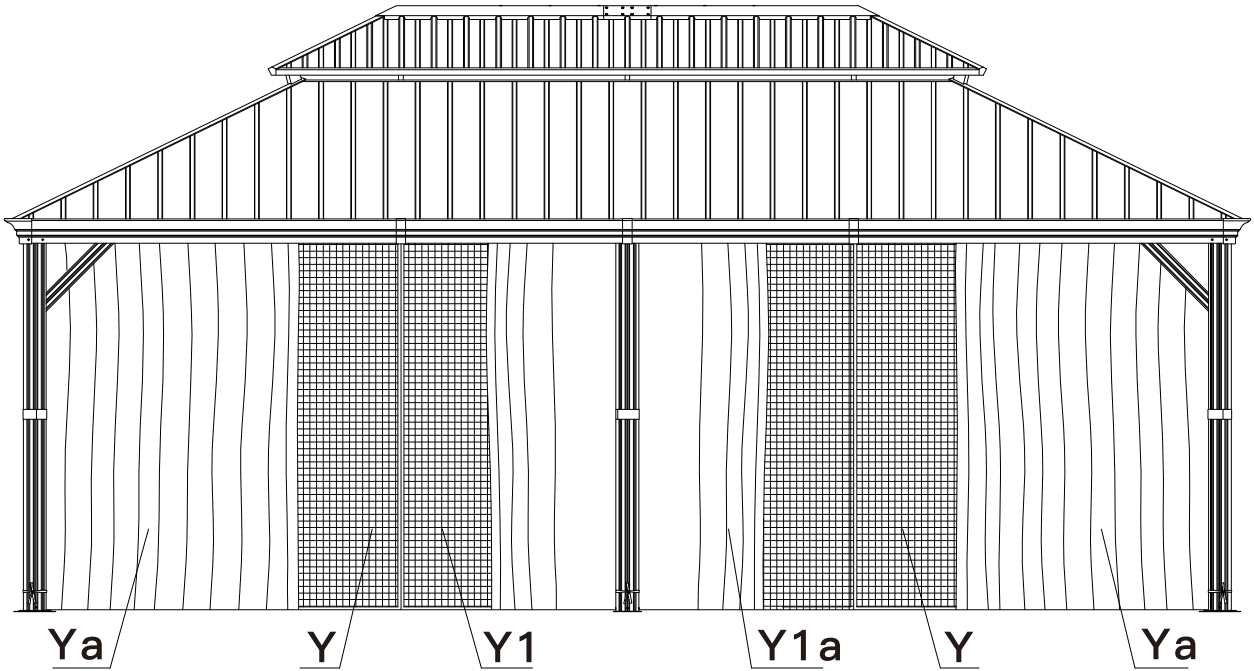
Inside View



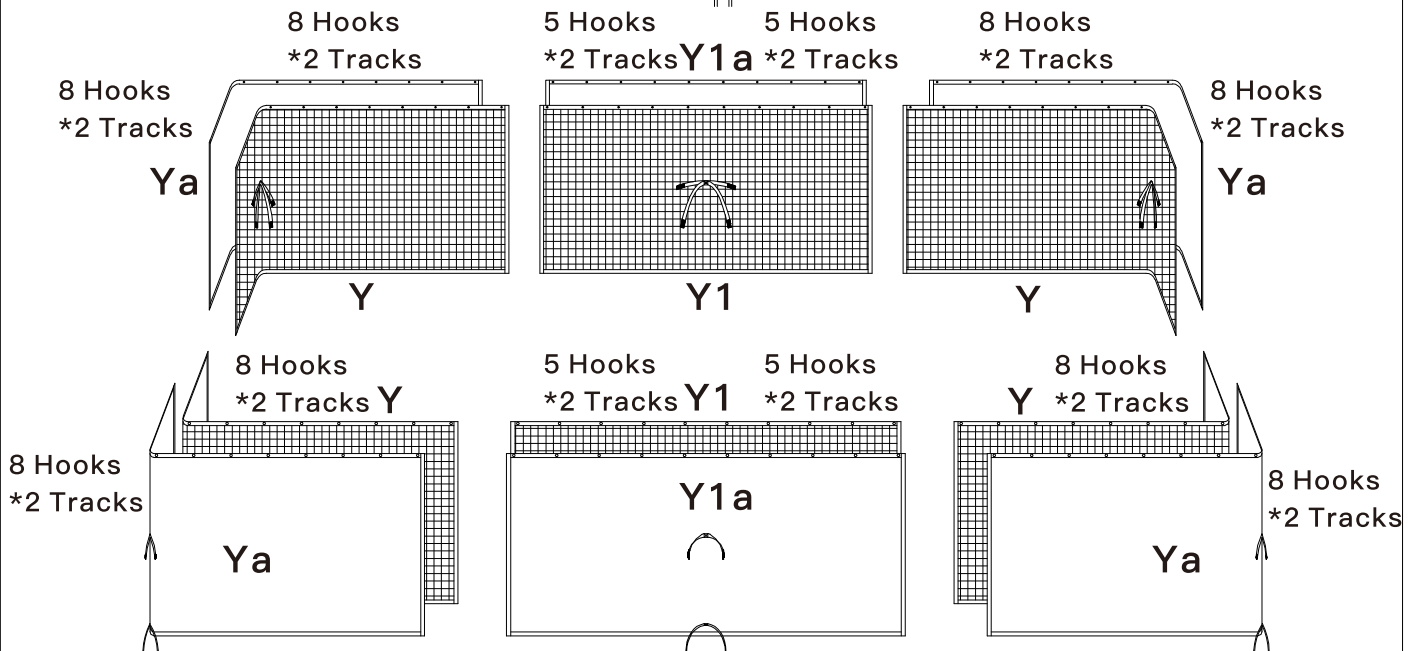
Use Screws #7 (the longer one) to secure the solidifying bar and Screws #6 (the shorter one) to secure roof tube to the roof panels.

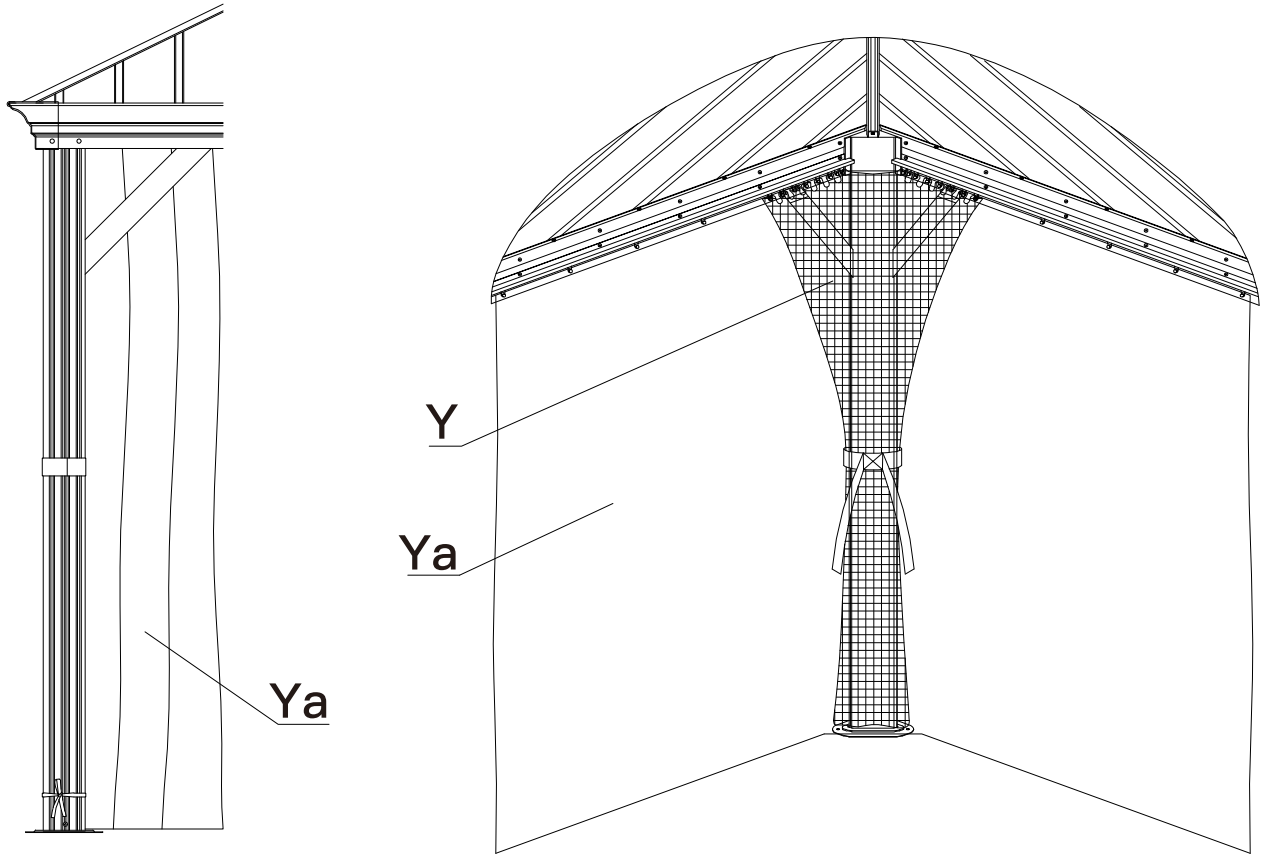


MOSQUITO NETTING AND CURTAINS ASSEMBLY:

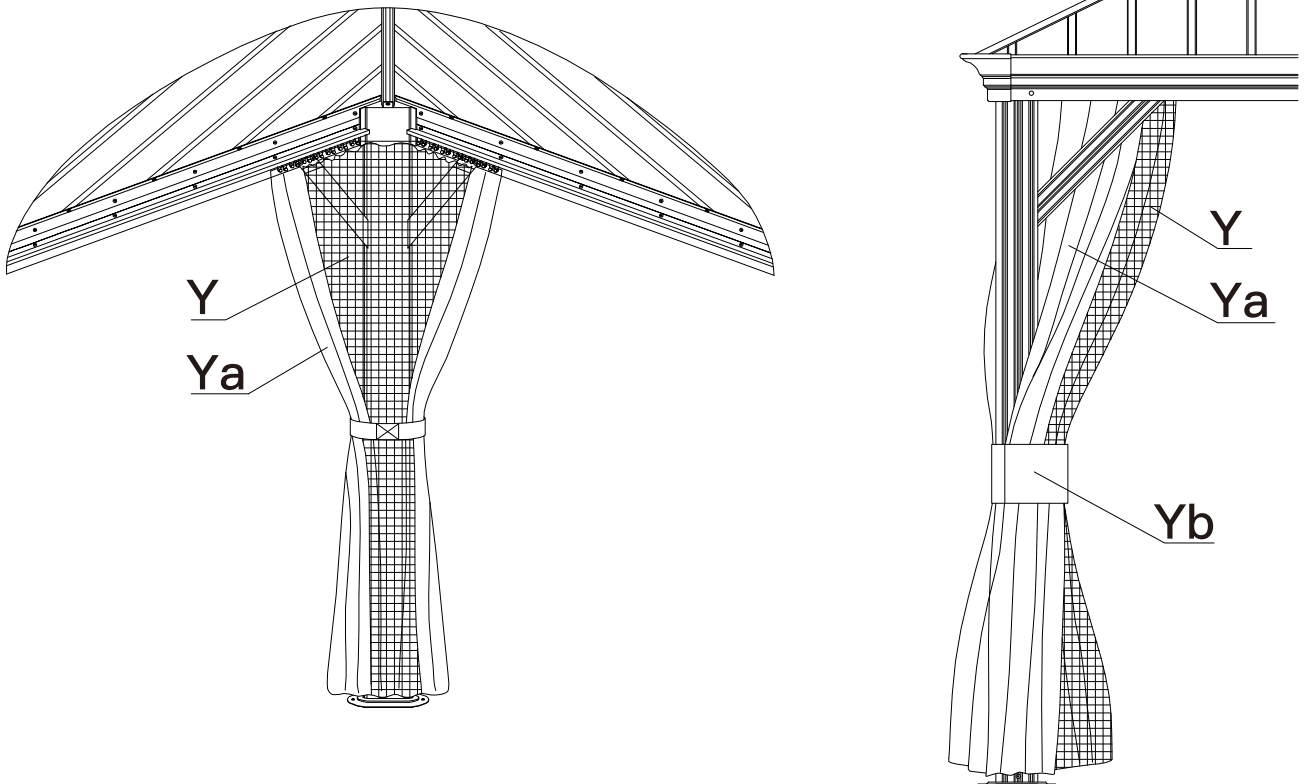


Double-track





Please open your gazebo curtains when wind speed exceed 30 mph wind, and tie them with Straps #Yb.





Thanks for your purchase.

At domi outdoor living, we believe in our products.

That's why we provide a 12-month warranty and friendly, easy-to-reach after-sales service. So, if you have any questions about our product or assembly, please feel free to contact us. We are here for you.

Support:



After-sales contact email:

service@domioutdoorliving.com

Business cooperation contact email:

marketing@domioutdoorliving.com

Please have your order ID available if you reach out for support.

If you have damaged parts or product, please send us photos for an immediate response.