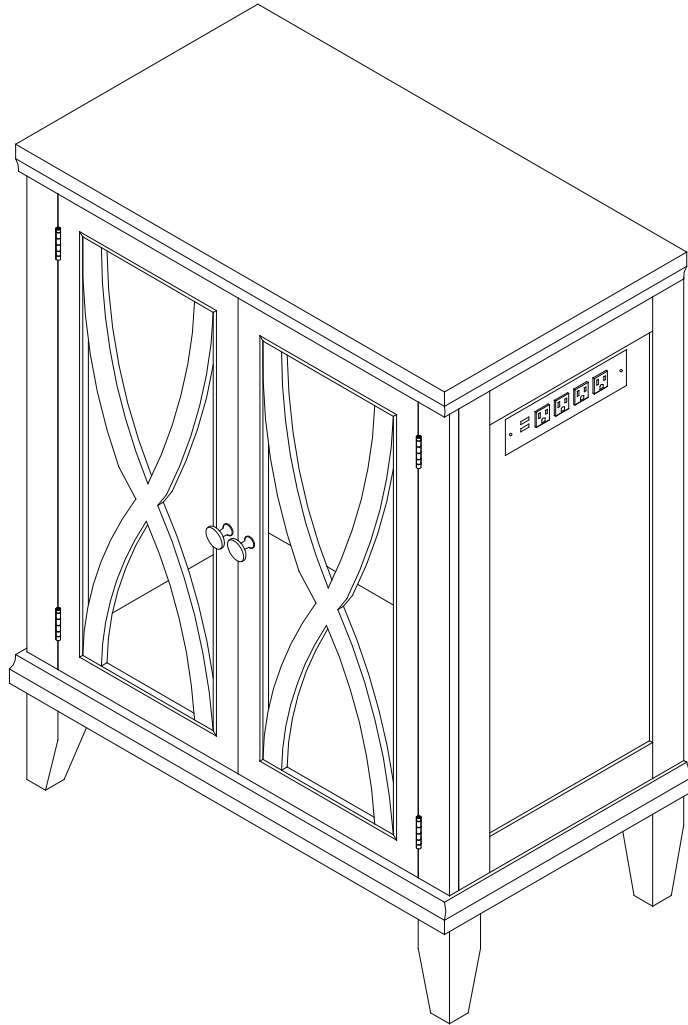


ASSEMBLY INSTRUCTIONS



NOTE: 50% TIGHTEN BEFORE FIXING ALL BOLTS

N704P350196

Thank you for choosing our products.

1. Return Policy




DO NOT RETURN TO THE STORE! Skip the process of returning your product and contact us directly for a replacement

If you find that parts of your order are missing or damaged, we will gladly ship any needed replacement parts free of charge.

If you have found any sort of defect, please contact our customer service department and let us know the details of your order and any issues encountered, we will try our best to provide you with a solution.

Recommendations Before Beginning Assembly

 • Read instructions, cover to cover

 • Have 2-4 adults on hand for assembly depending on product size

 • Do not assemble directly on flooring or carpet

 • Assemble on a clean non-marring surface (example: packing foam)

 • Save all packaging until finished

3. Assembly Notice:

- If you encounter any problems during assembly and find that you cannot continue, rest assured we will help you solve the situation as soon as possible. Simply keep all of the parts of the product stored in a safe place and contact us immediately so we may assist you further.











- Once you have opened your package, remove all inner hardware packages and take the parts out. One by one, Place the parts out neatly in front of you, then refer to the instructions to ensure no parts are missing. If any pieces are found missing, please carefully look in the box first, as the hardware packaging might have torn making the hardware spill in the box.

- Some key parts of your product may be stored and hidden inside of other parts. Please open any zippered or hook & loop storage compartments to remove all parts. (example: cushions and legs being stored in the underside of a sofa)

- **IMPORTANT:** When setting up your product, **DO NOT INSTALL THE SCREWS ALL THE WAY IN THE BEGINNING.** Place each screw into their proper hole and use your hand to twist the screw halfway. Twist all the screws in halfway to ensure the holes will match up properly and the product is level on the ground. When everything seems fitted, then tighten the screws.

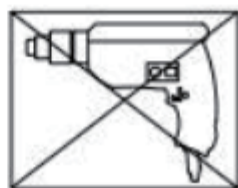
- When you have completed assembly, we suggest you have more than one person to assist you with lifting and placing the product.

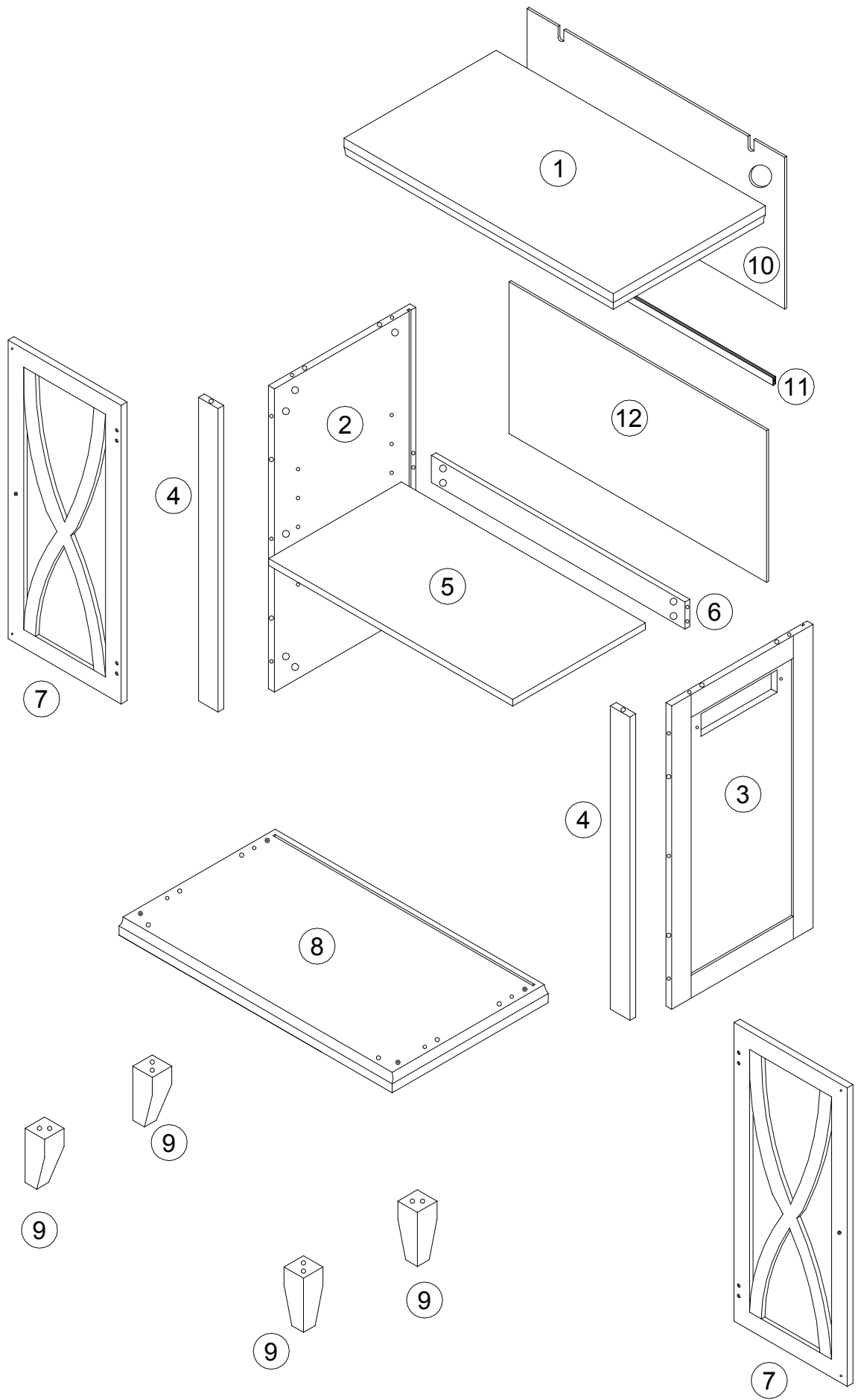
Care & Maintenance

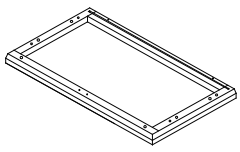
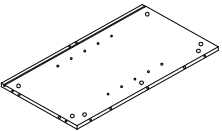
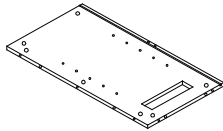
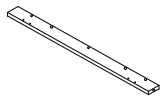
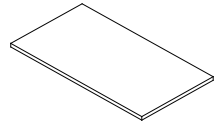
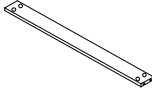
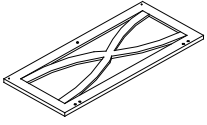
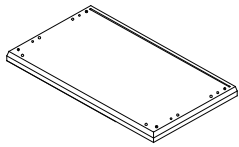

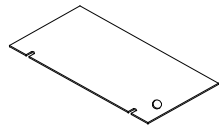

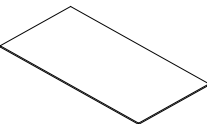
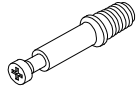
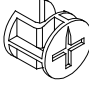
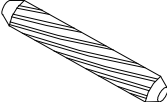
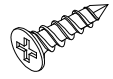
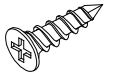
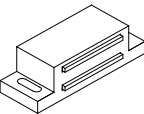
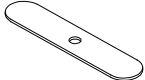
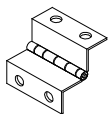
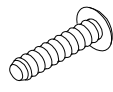
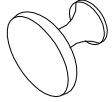
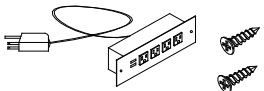
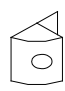


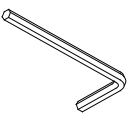
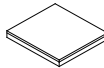
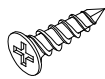
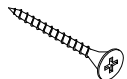

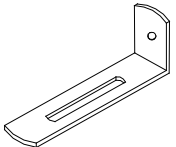

- 
 ● Do not put hot items directly on furniture surface
- 
 ● Do not clean furniture with harsh cleansers or polish
- 
 ● Do not place furniture under direct sunlight
- 
 ● Do not place furniture near heating or cooling vents
- 
 ● Do not write on furniture without a padded barrier to protect the surface
- 
 ● Do not place furniture outside. For indoor use only
- 
 ● Not for commercial use. For residential use only
- 
 ● Stains may be removed with mild soap solution and damp cloth
- 
 ● Children should not climb or jump on the furniture
- 
 ● Dust and pick-up spills using a clean, non-colored, lint-free cloth

Caution

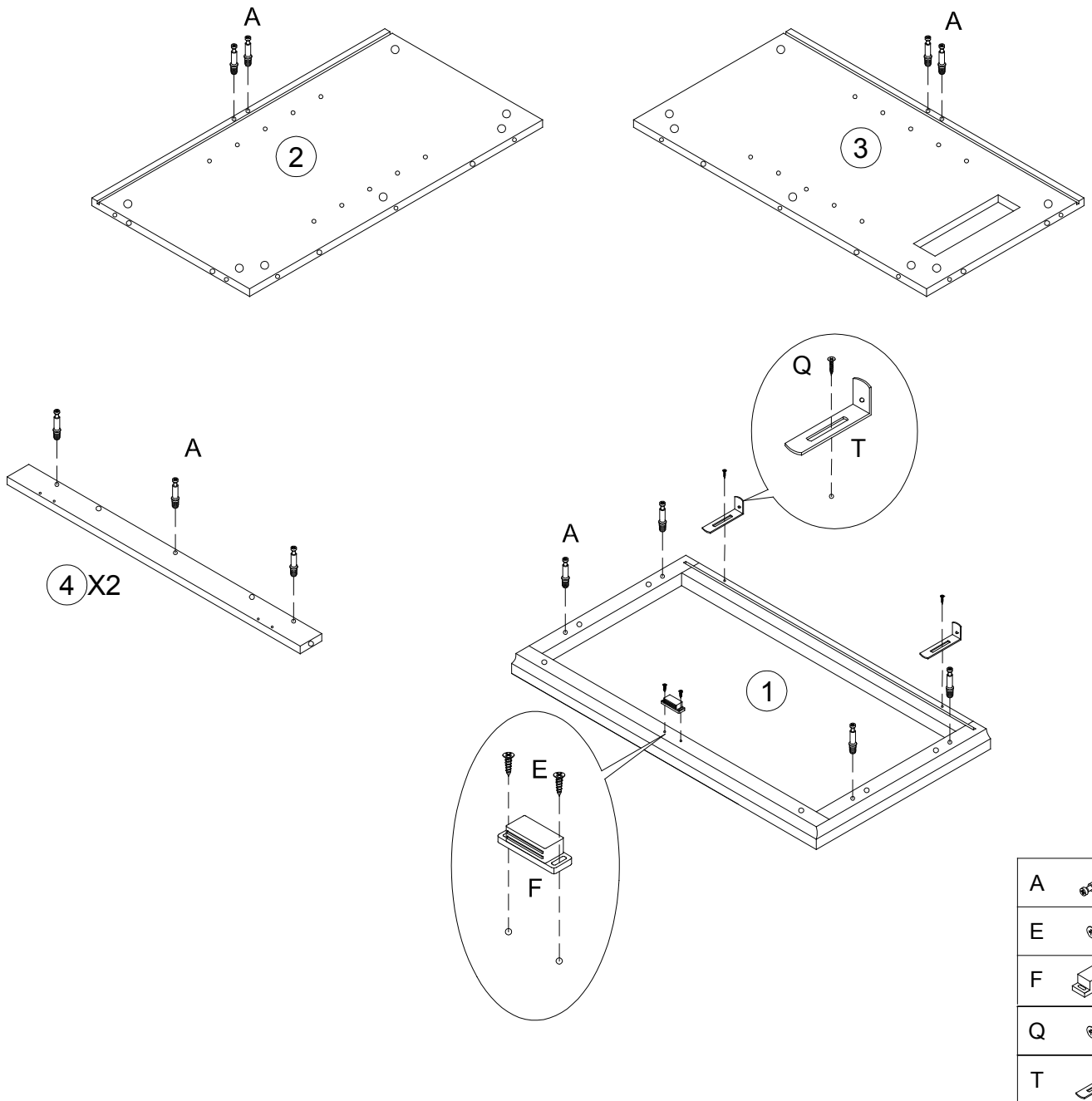
- This product contains small components. Please ensure that they are kept away from small children.
- Do not use power tools to assemble your furniture. Power tools may strip or damage the parts.





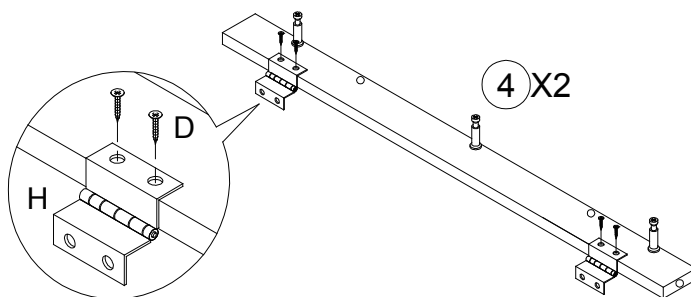
				
① x1PC	② x1PC	③ x1PC	④ x2PCS	⑤ x1PC
				
⑥ x1PC	⑦ x2PCS	⑧ x1PC	⑨ x4PCS	⑩ x1PC
				
⑪ x1PC	⑫ x1PC			
				
6*35mm	15*10mm	8*30mm	3*12mm	3*14mm
Ax18PCS	Bx18PCS	Cx20PCS	Dx18PCS	Ex10PCS
				
Fx1PC	Gx2PCS	Hx4PCS	Ix2PCS	Jx2PCS
				
3*12mm			6*50mm	
Kx1PC	Lx8PCS	Mx4PCS	Nx4PCS	Ox1PC
				
Px4PCS	Qx2PCS	Rx2PCS	Sx2PCS	Tx2PCS
				
Ux14PCS				

STEP 1



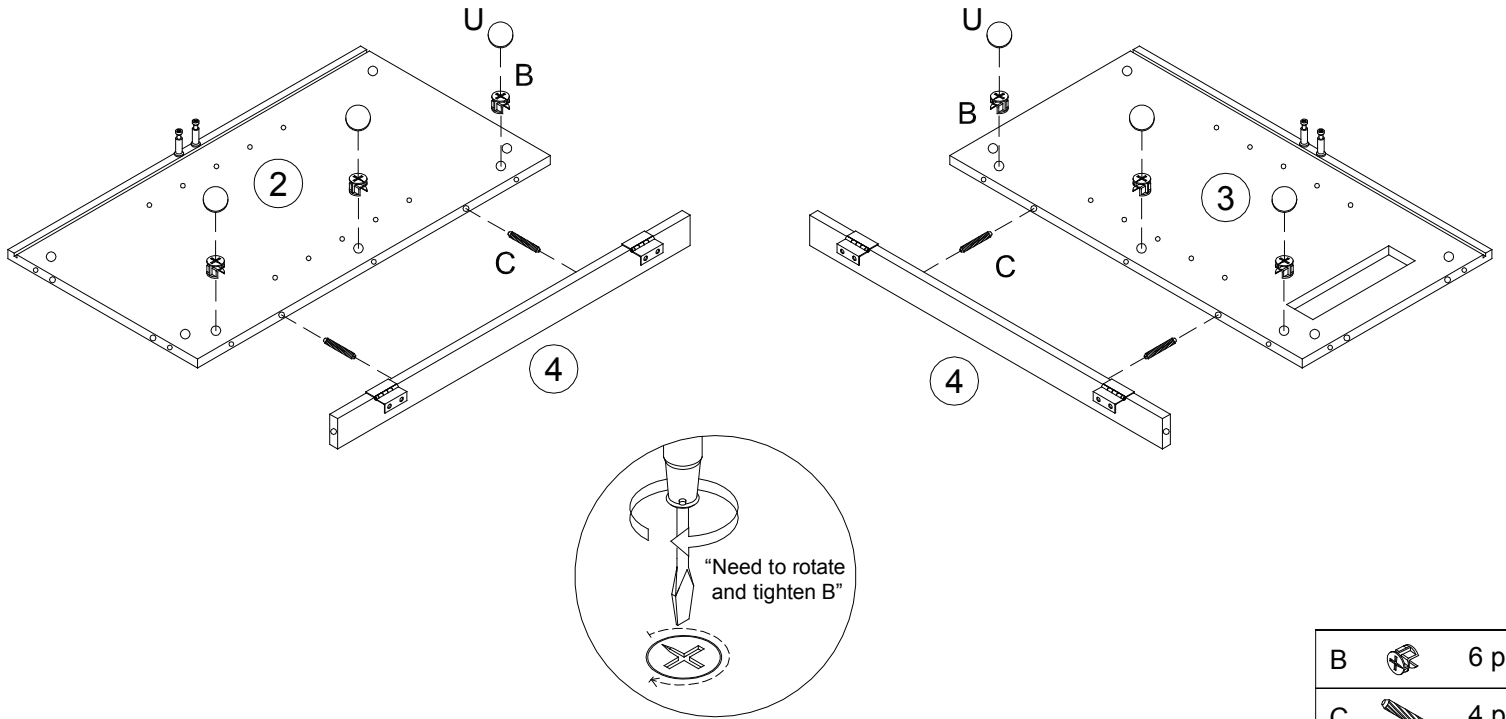
A		14 pcs
E		2 pcs
F		1 pc
Q		2 pcs
T		2 pcs




STEP 2



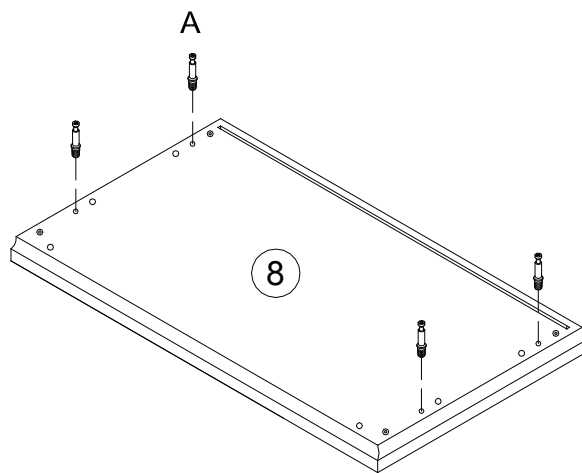
D		8 pcs
H		4 pcs


STEP 3



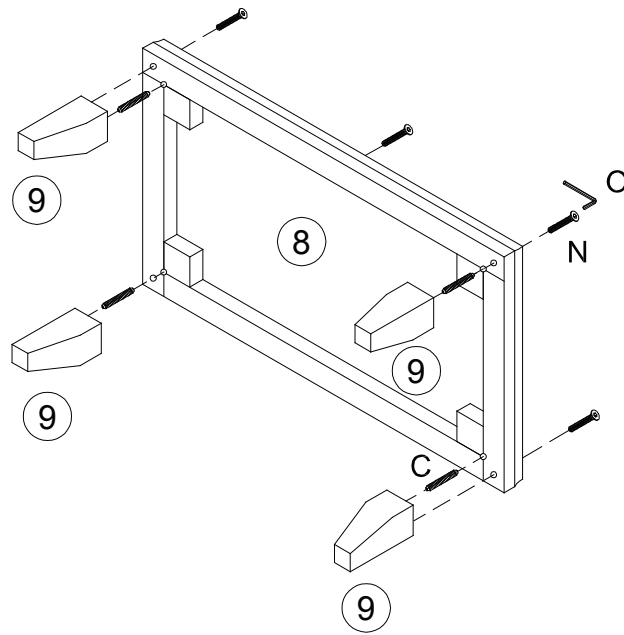
B		6 pcs
C		4 pcs
U		6 pcs




STEP 4



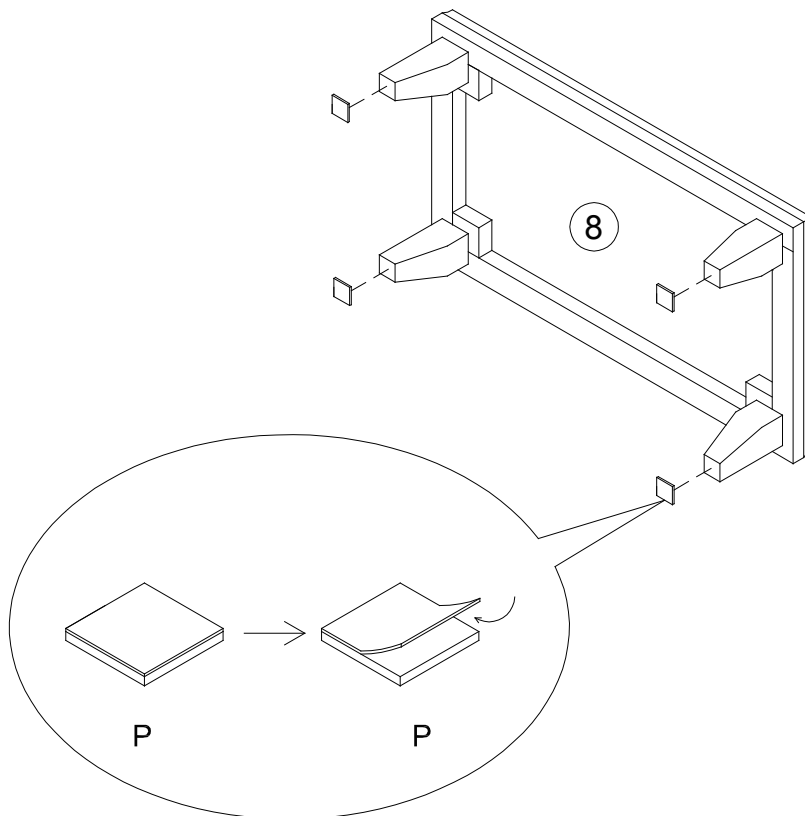
A		4 pcs
---	---	-------


STEP 5



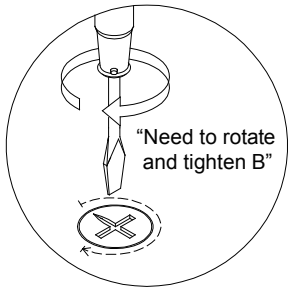
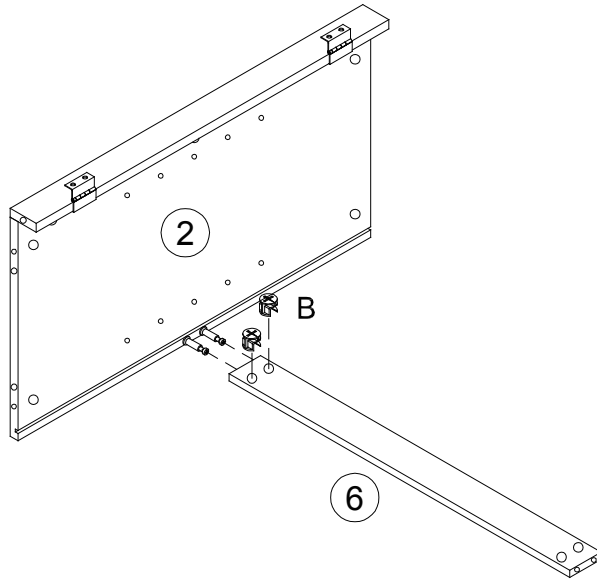
C		4 pcs
N		4 pcs
O		1 pc

STEP 6



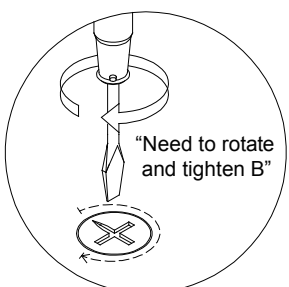
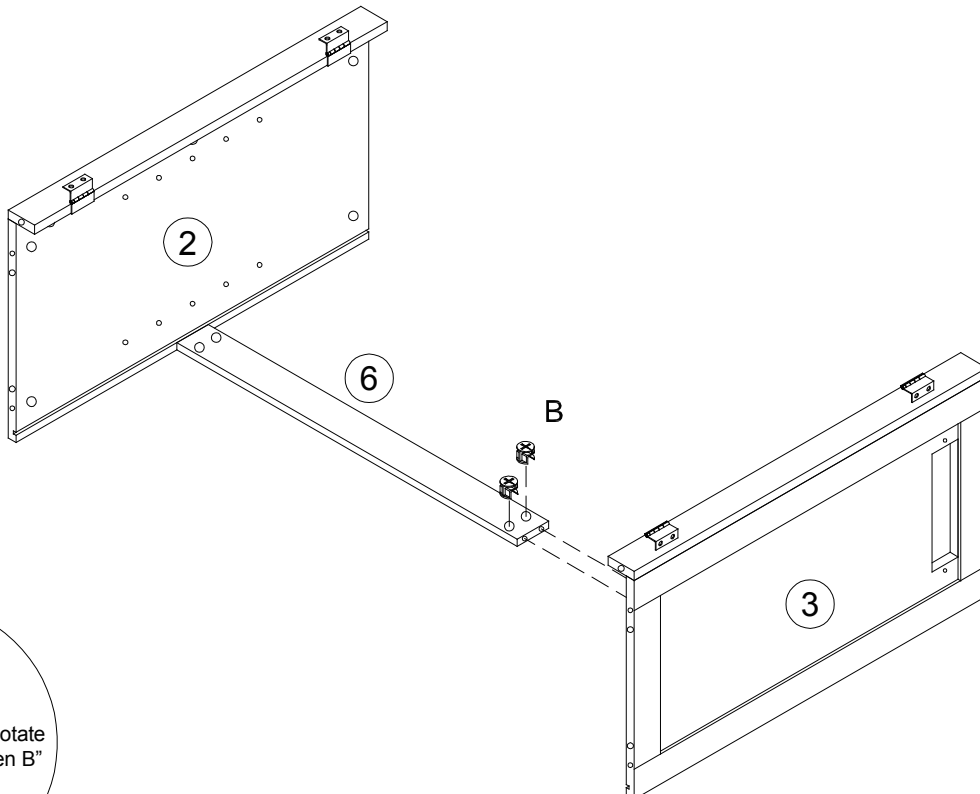
P		4 pcs
---	---	-------

STEP 7



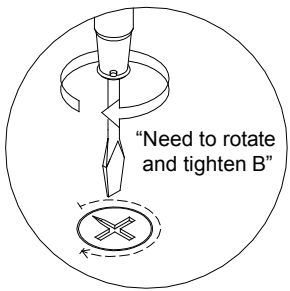
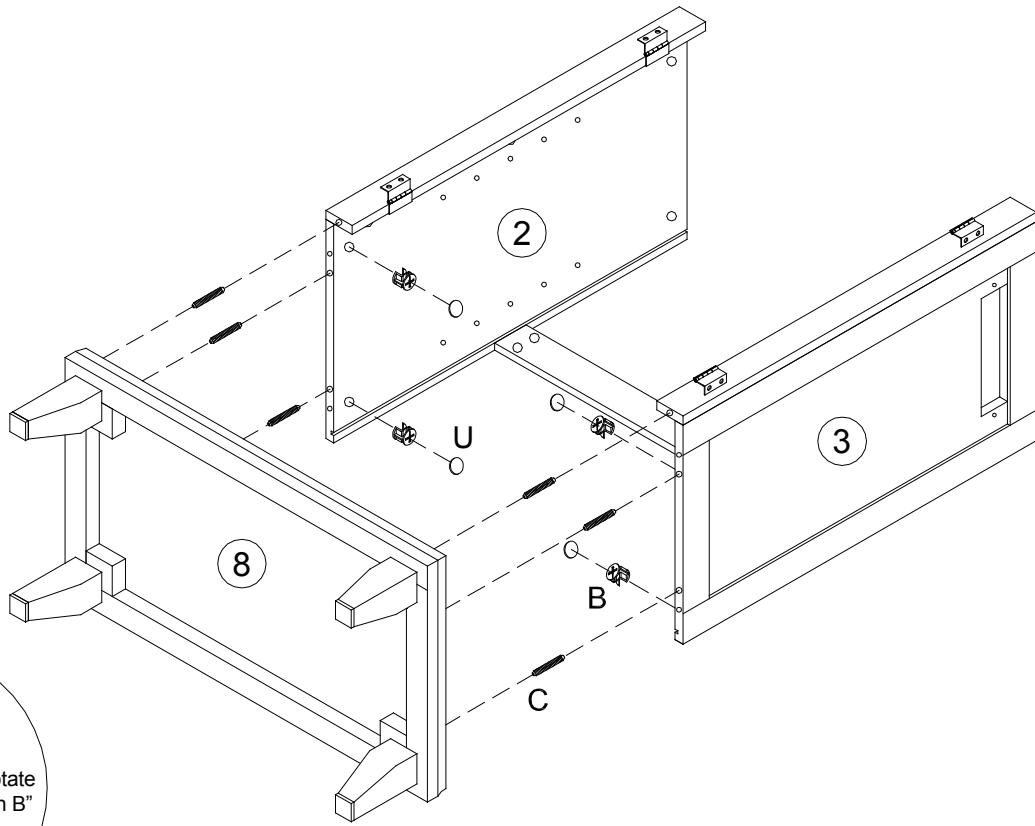
B  2 pcs




STEP 8



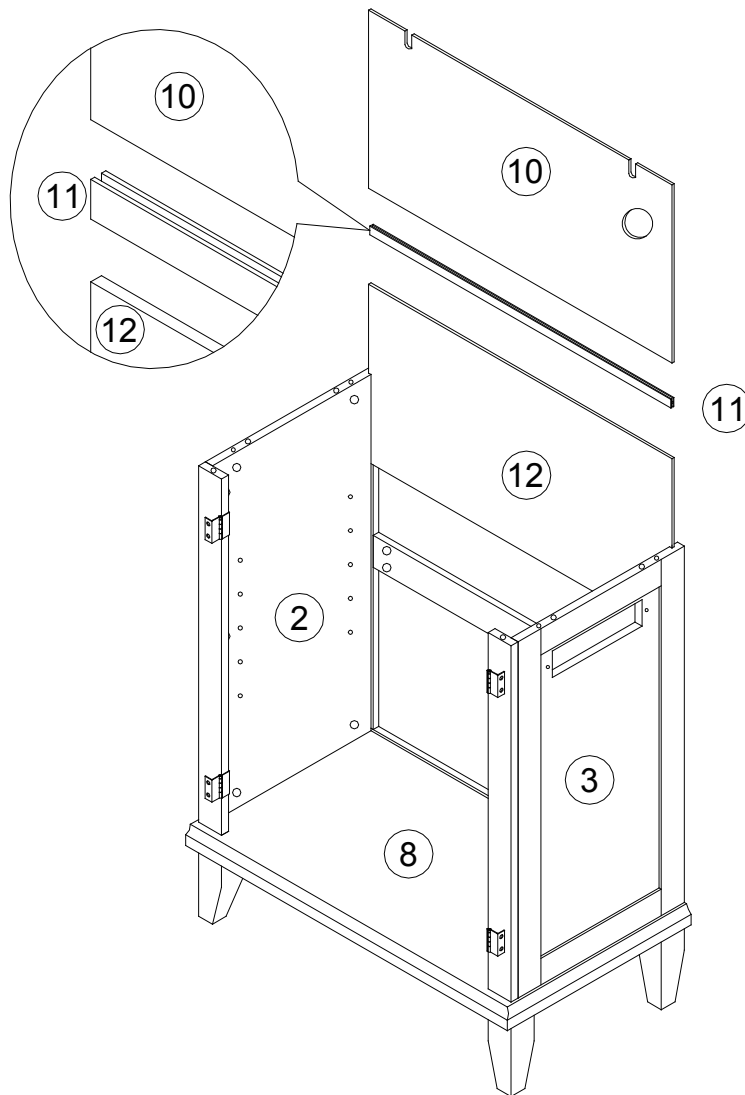
B  2 pcs

STEP 9

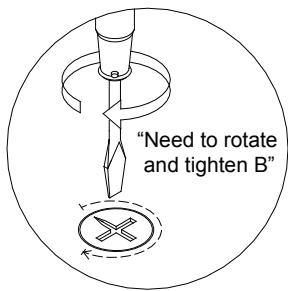
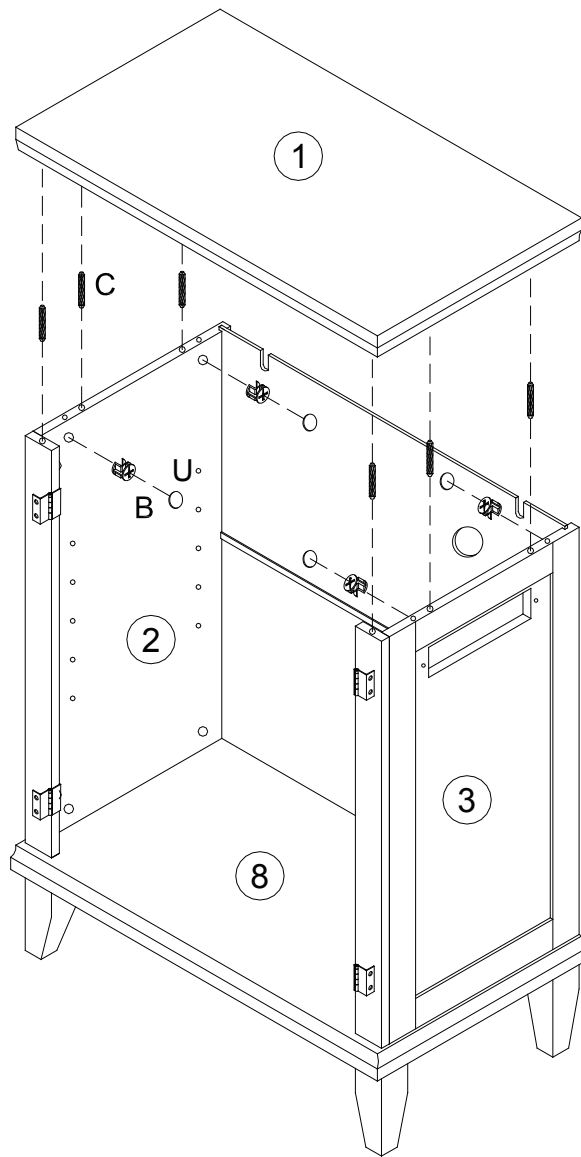


B		4 pcs
C		6 pcs
U		4 pcs

STEP 10

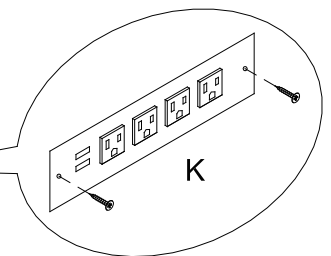
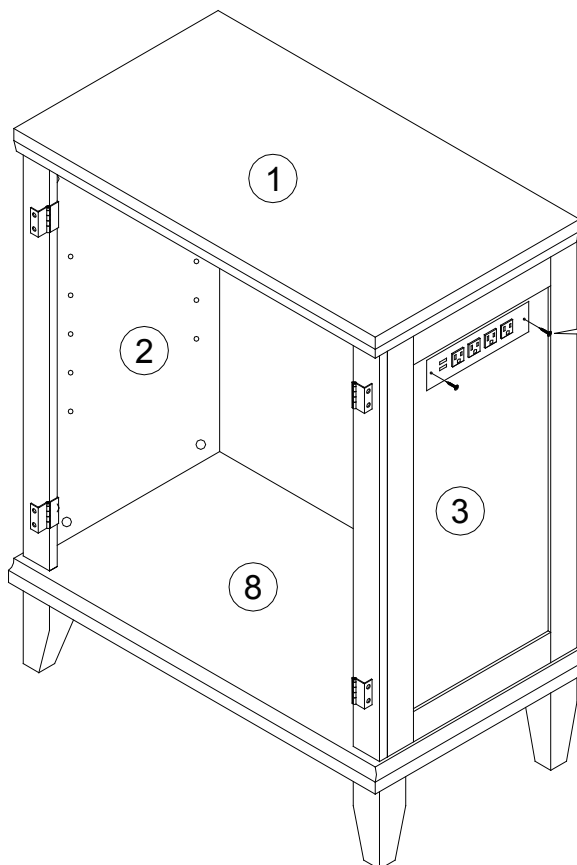


STEP 11



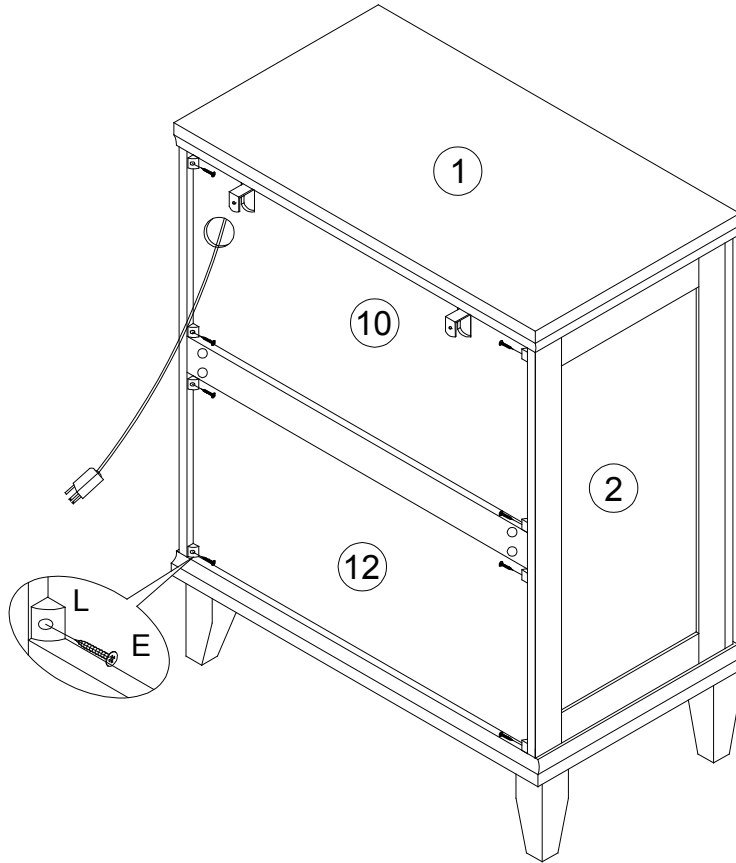
B		4 pcs
C		6 pcs
U		4 pcs



STEP 12



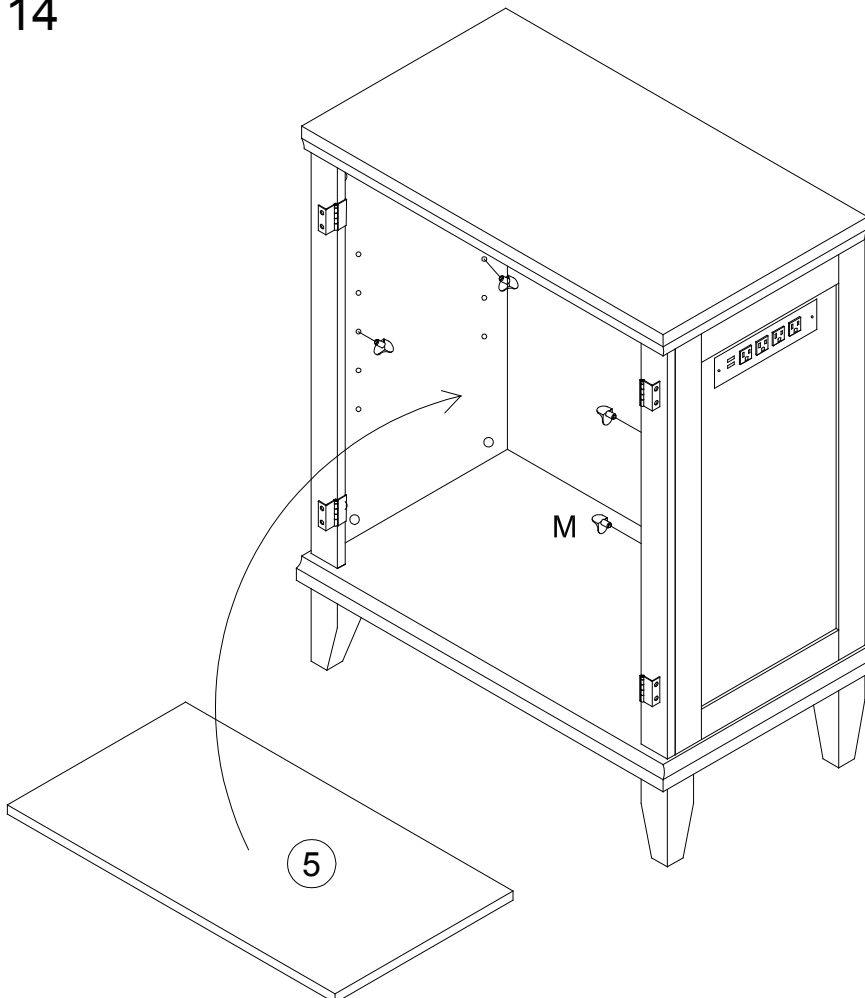
K		1 pc
---	--	------


STEP 13



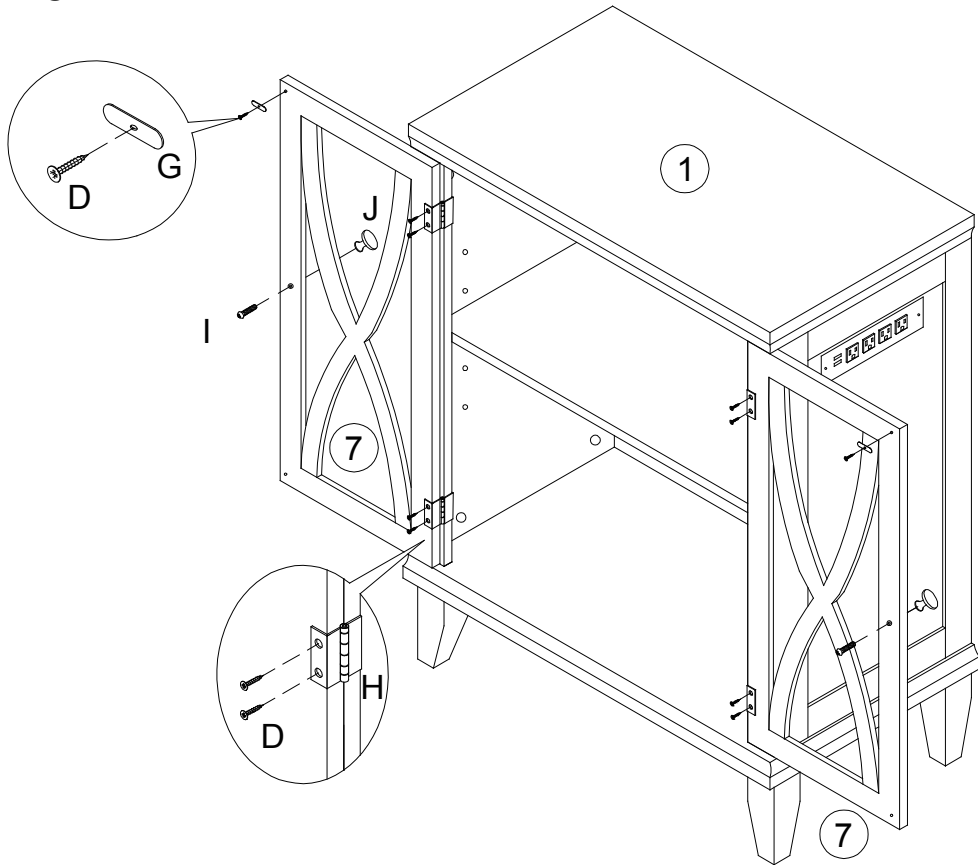
E		8 pcs
L		8 pcs





STEP 14



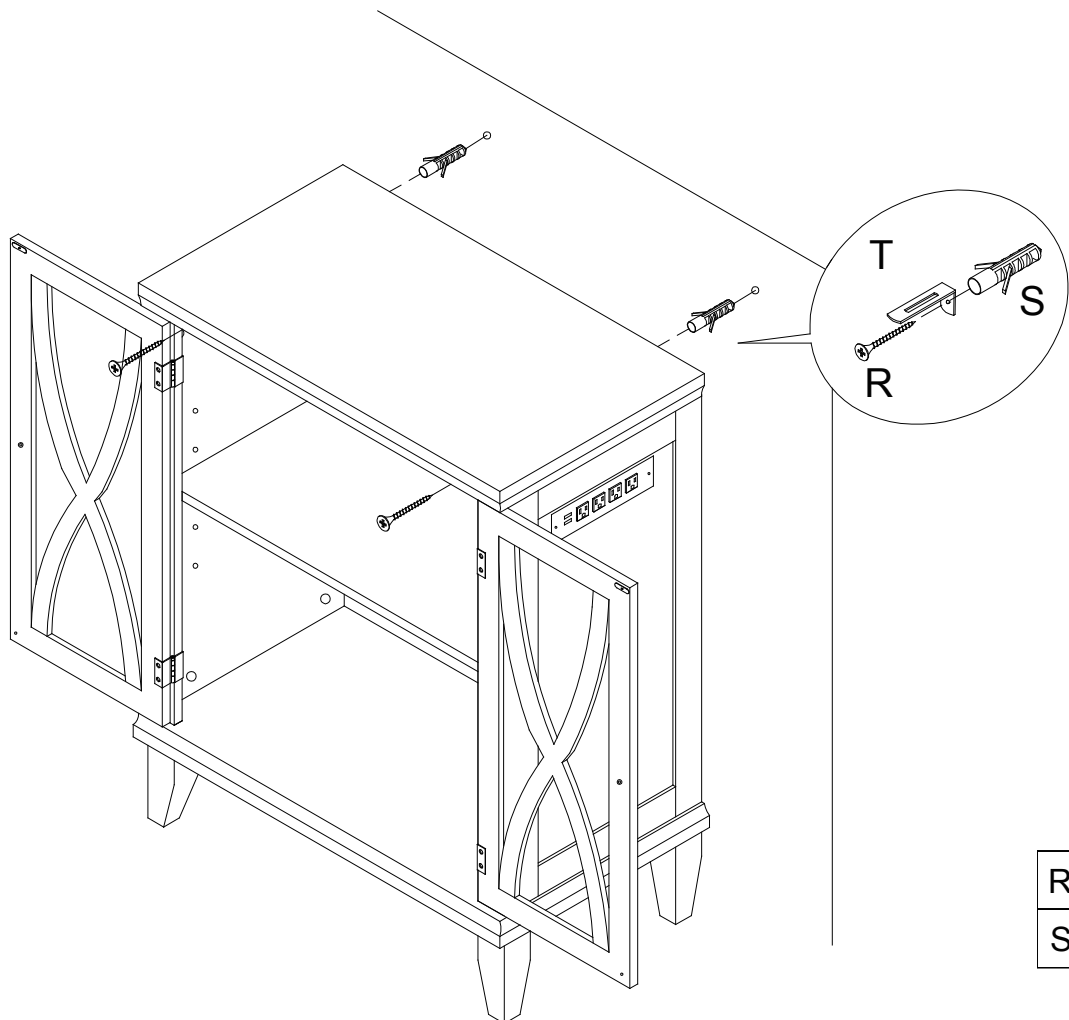
M		4 pcs
---	---	-------



STEP 15



D		10 pcs
G		2 pcs
I		2 pcs
J		2 pcs

STEP 16



R		2 pcs
S		2 pcs