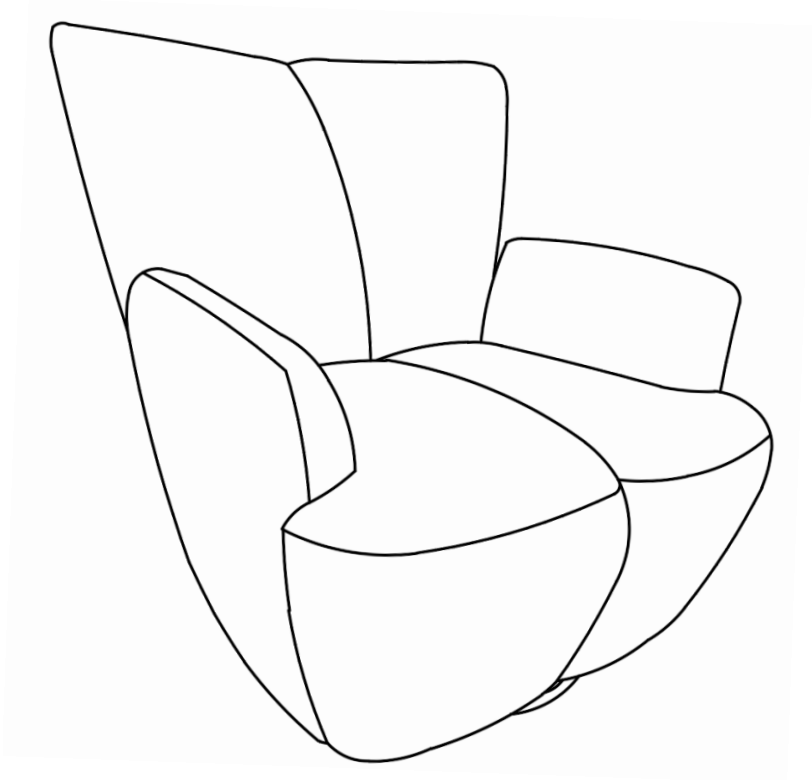
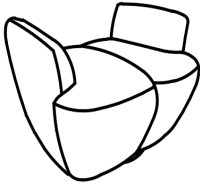


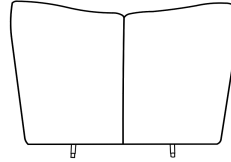
ASSEMBLY INSTRUCTIONS



SPARE PARTS



Ax1



Bx1



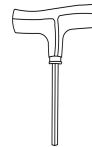
Cx2+1



Dx2+1

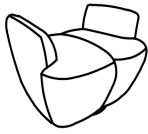


Ex2+1



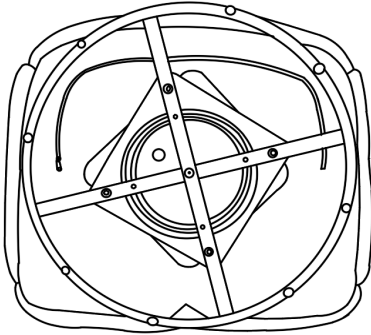
Fx1

1

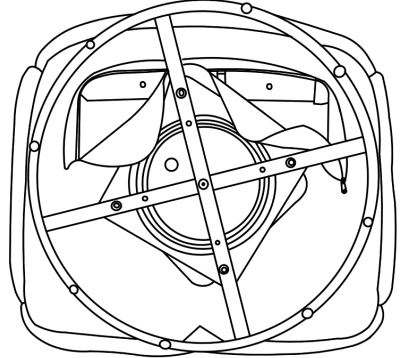


Ax1

Pull the zipper all the way down



A

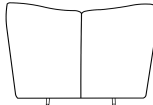


A

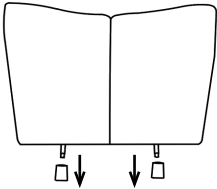
2



Ax1

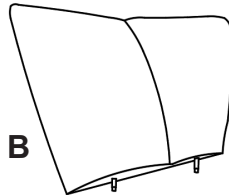


Bx1

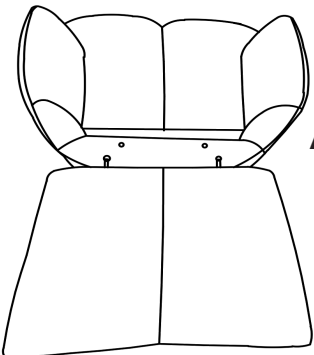


B

Align the iron pipe with the hole and place it down

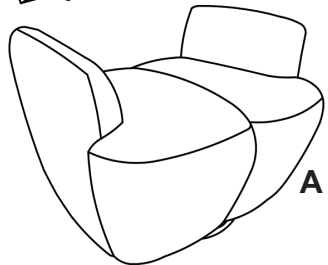


B



A

B



A

3



Cx2



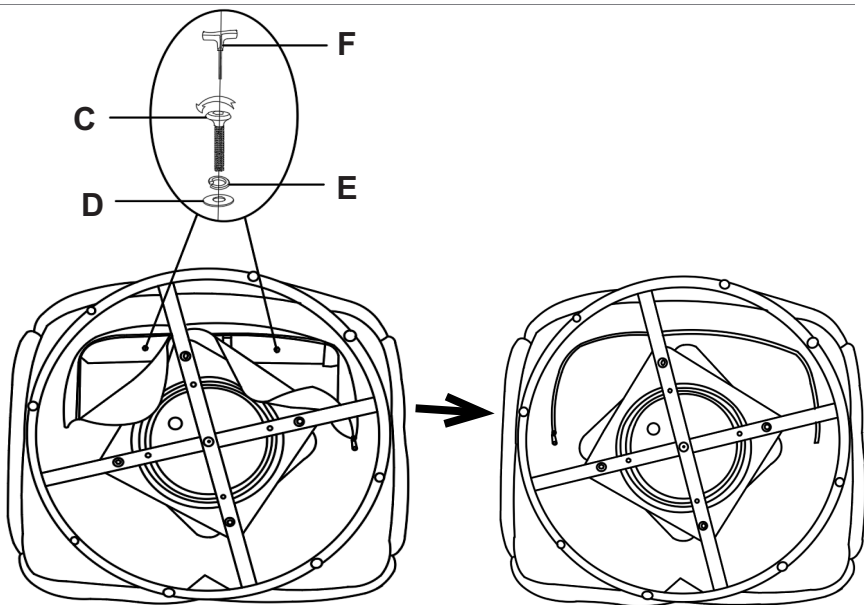
Dx2



Fx1



Ex2



4

