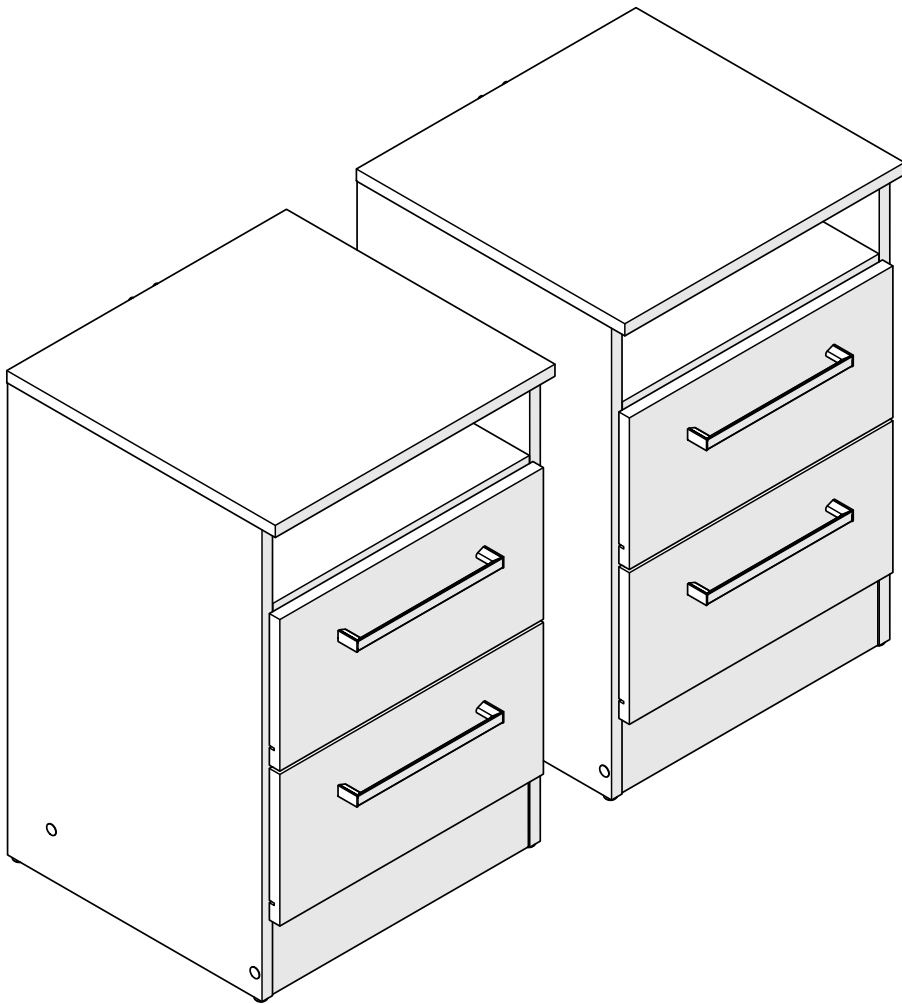


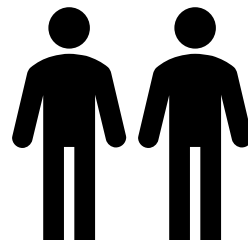
Assembly instructions

Warning -CHOKING HAZARD - Small Parts Not for children under 3 years. Adult assembly required.

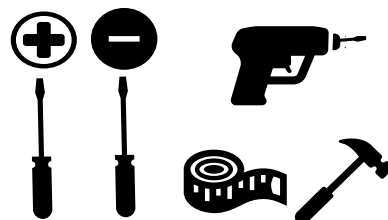


Images for illustrative purposes only.

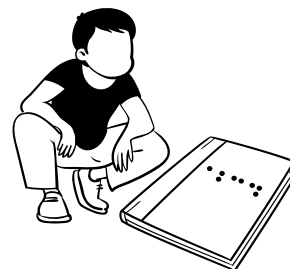
The assembly must be done by 2 people.

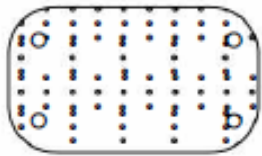


Tools needed to assemble the furniture.



Assemble the furniture on a clean, flat surface.





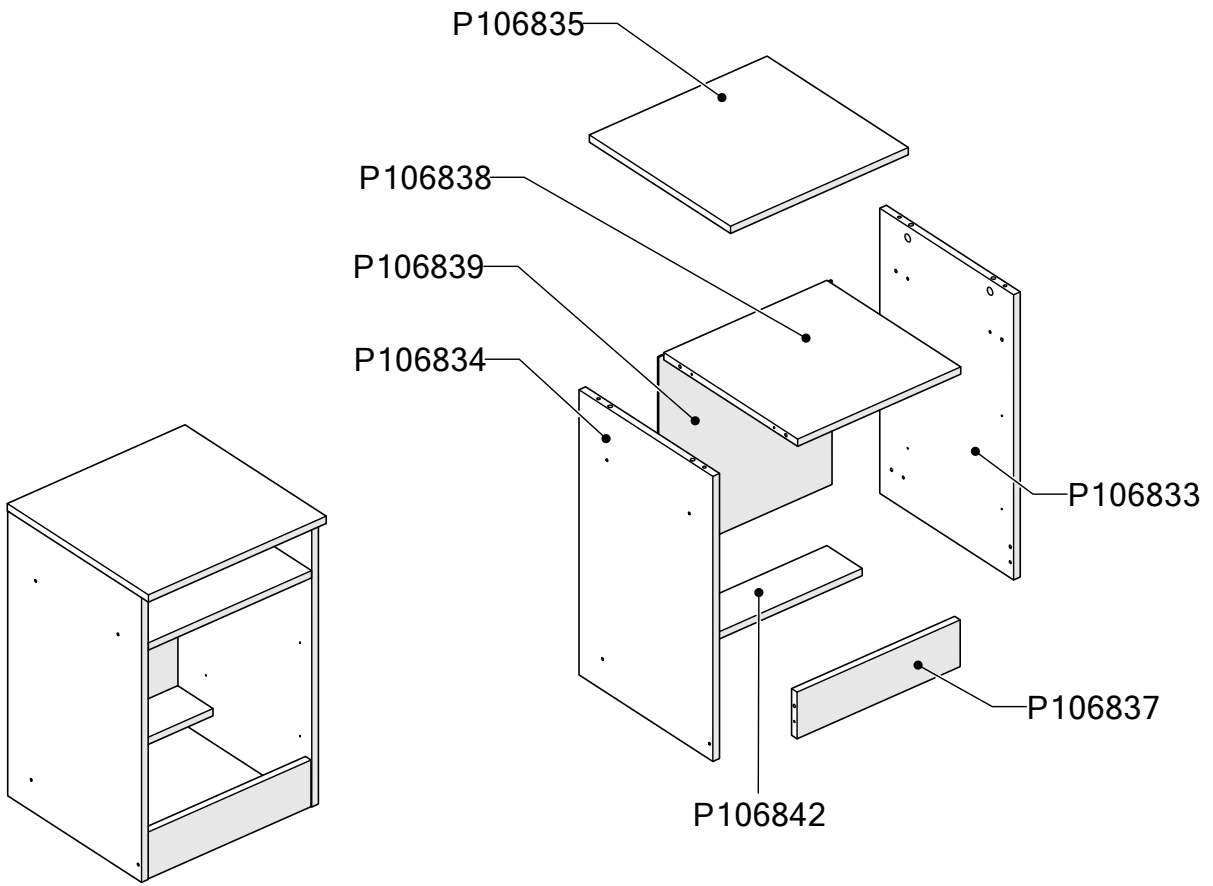
To Remove the printed number, apply a small amount of Glass Cleaner or Hand sanitizer and wipe with a paper towel.



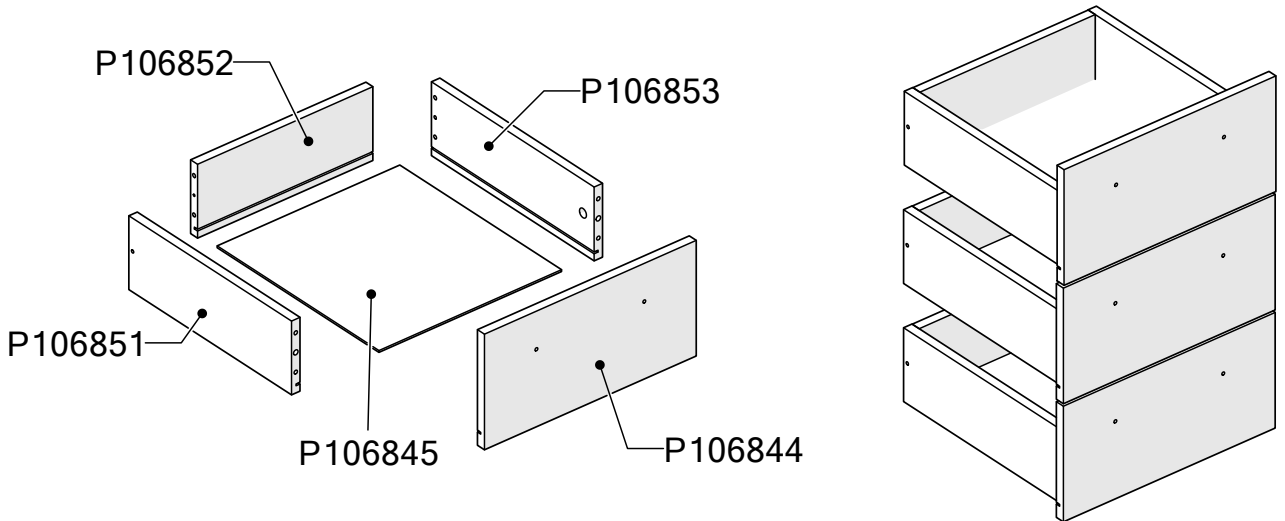
PARTS IDENTIFICATION

QTD.	CÓDIGO / CODE	DESCRIÇÃO (Internal production Data)	Description	C x L x E	L x W x T
2	P106833	LATERAL DIREITA	RIGHT SIDE	586 x 364 x 15 mm	23.07 x 14.33 x 0.59 in
2	P106834	LATERAL ESQUERDA	LEFT SIDE	586 x 364 x 15 mm	23.07 x 14.33 x 0.59 in
2	P106835	TAMPO	TOP	400 x 384 x 15 mm	15.75 x 15.12 x 0.59 in
2	P106837	RODAPE	BASEBOARD	367 x 96 x 15 mm	14.45 x 3.78 x 0.59 in
2	P106838	TAMPO	TOP	367 x 364 x 15 mm	14.45 x 14.33 x 0.59 in
2	P106839	COSTA	COAST	419 x 390 x 3 mm	16.50 x 15.35 x 0.12 in
2	P106842	TRAVESSA	PLATTER	367 x 96 x 15 mm	14.45 x 3.78 x 0.59 in
4	P106844	FRENTE DE GAVETA	DRAWER FRONT	377 x 188 x 15 mm	14.84 x 7.40 x 0.59 in
4	P106845	FUNDO DE GAVETA	DRAWER BOTTOM	325 x 348 x 3 mm	12.80 x 13.70 x 0.12 in
4	P106851	LATERAL DE GAVETA ESQUERDA	LEFT DRAWER SIDE	350 x 120 x 15 mm	13.78 x 4.72 x 0.59 in
4	P106852	CABECEIRA DE GAVETA	DRAWER HEAD	312 x 120 x 15 mm	12.28 x 4.72 x 0.59 in
4	P106853	LATERAL DE GAVETA DIREITA	DRAWER RIGH SIDE	350 x 120 x 15 mm	13.78 x 4.72 x 0.59 in

Mobile



Drawers



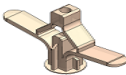


IDENTIFICATION OF ACCESSORIES

NOTE: Separating the accessories before starting assembly will make it easier. In case of doubt in the identification, place the accessory on the ruler.

	QTD.	CÓDIGO / CODE	DESCRIÇÃO (Internal production data)	DESCRIPTION
	2	000041	COLA BRANCA EM BISNAGA (10GR)	GLUE
	32	000107	PREGO 10 X 10	NAIL 10 X 10
	9	000108	PREGO 12 X 12	NAIL 12 X 12
	4	001178	P.FLANGE 3,5 X 16 CAB. PHILLIPS BC	SCREW 3,5 X 16
	56	001802	CAVILHAS DE MADEIRA 6X30 PINUS	DOWEL 6X30MM
	9	001901	SAPATA DESLIZADORA PRETA 15 X 6	SHOE 15 X 6
	32	004214	P.CHATO 3,5 X 14 CAB. PHILLIPS REBAIXADA ZB	SCREW 3,5 X 14MM
	9	005256	P.CHATO 4,0 X 20 CAB. PHILLIPS ZB/BC	FLAT SCREW 4,0 X 20 BC
	9	018458	SUPORTE TRIANGULAR PRETO	TRIANGLE SUPPORT
	25	030945	PARAFUSO DE ACO P/ MINIFIX	MINIFIX DOWEL
	25	030950	TAMBOR P/ MINIFIX 15MM ZAMAQ	MINIFIX CAM 15MM

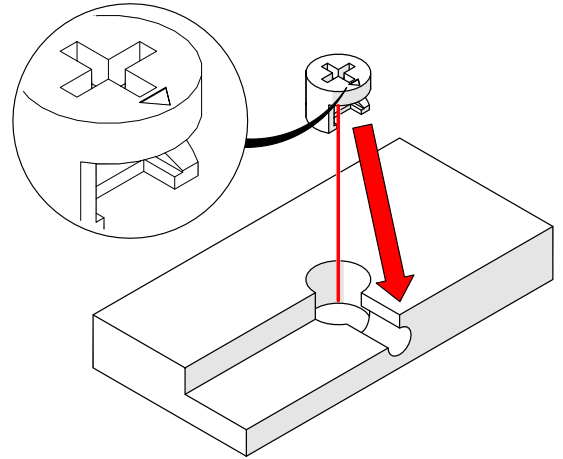
IDENTIFICATION OF ACCESSORIES

NOTE: Separating the accessories before starting assembly will make it easier. In case of doubt in the identification, place the accessory on the ruler.

	4	032069	BUCHA PARA GESSO FLY	FIXING BUSHING FOR PLASTER
	4	051980	P.CHATO 4,5 X 50 BC	P.CHATO 4,5 X 50 BC
	8	054117	P.CHATO 3,5 X 25 CAB. PHILLIPS ZB/BC	SCREW 3,5 X 25
	4	055606	SUP. P/ FIXACAO DE PAREDE (EUA)	FIXATION SUPPORT
	2	055607	ABRACADEIRA NYLON 300 MM	NYLON CLAMP 300 MM
	1	058788	CHAVE ALLEN Z 3X40MM BC 04618 ZB/BC	ALLEN WRENCH
	4	PX	PUX. ALENO FIT ANODIZADO 209MM	DOOR HANDLE 209MM
	17	075515	P.ESTRUTURAL 5 X 40 CAB. 13 ALLEN 3 C/PONTA ZB/BC	SCREW 5 X 40
	4	CRM350	CORREDICA 350MM	SLIDING DRAWER SYSTEM
	16	13MM	TAPA FURO 13MM	SCREW CAP COVER 13MM
	24	19MM	TAPA FURO 19MM	SCREW CAP COVER 19MM

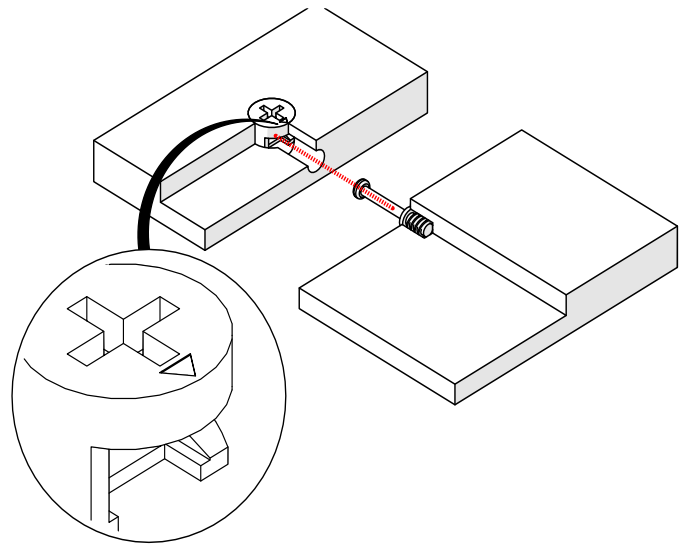
INSTALLING CAM

Identify arrow on head of cam. Arrow MUST point toward hole in edge of panel. Push cam all the way down into hole.



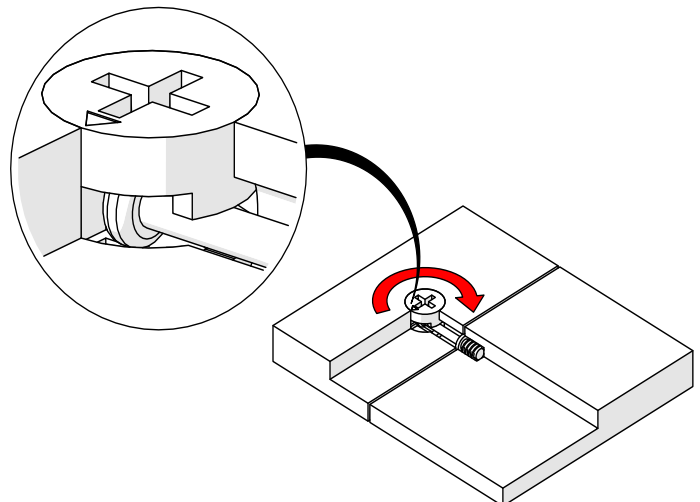
CAM AND DOWEL ALIGNMENT

Ensure the arrow on the cam points toward hole and insert cam dowel into hole. Make sure pieces join together.

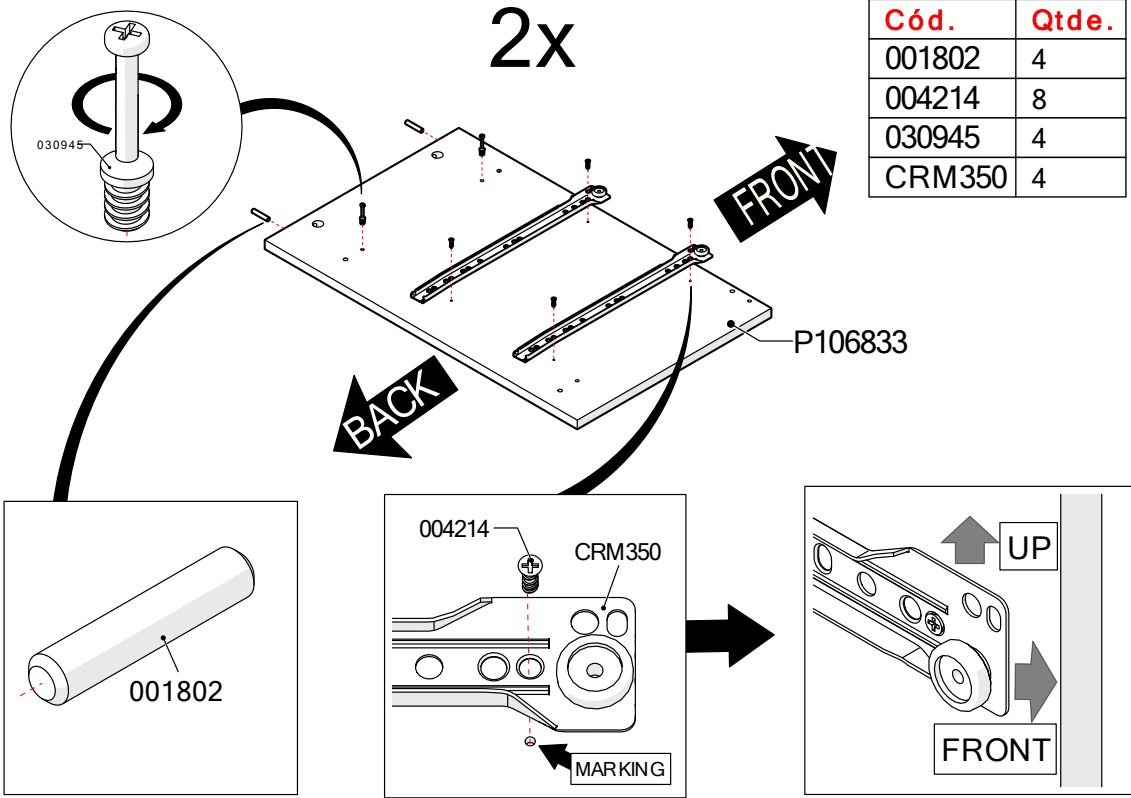


TIGHTENING CAM

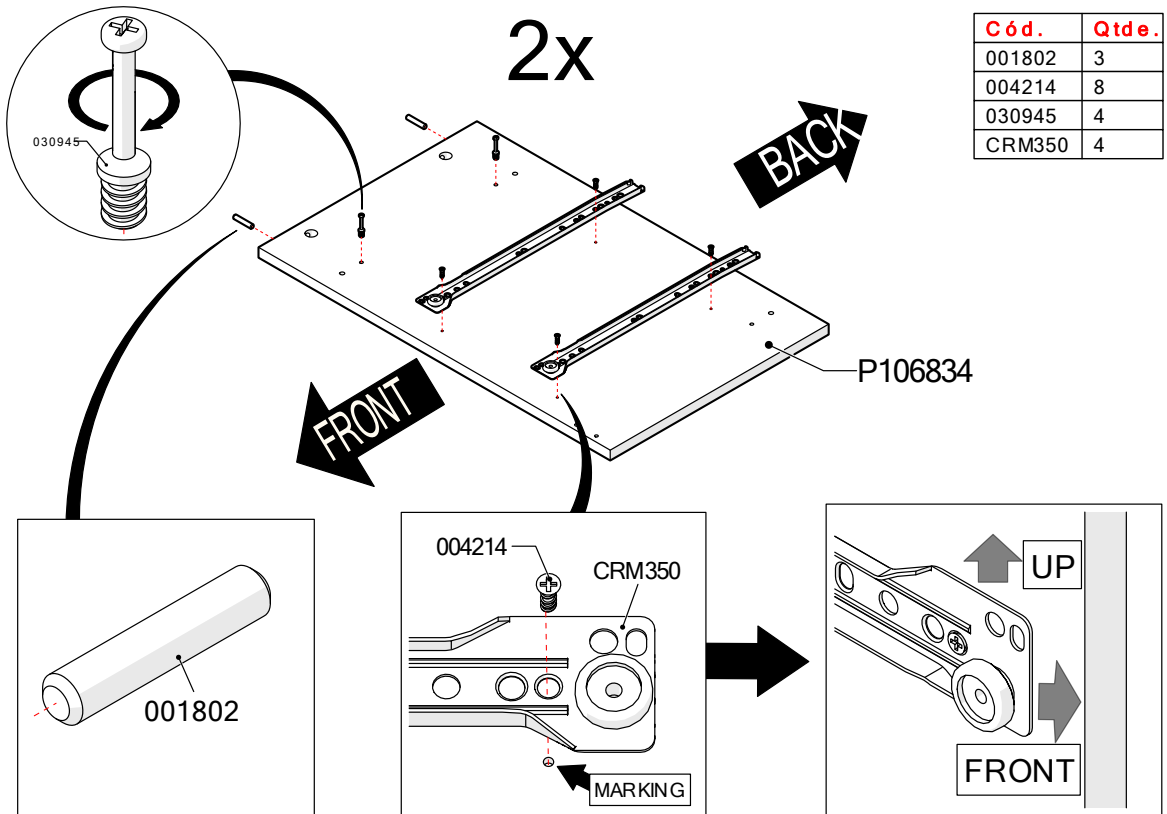
Use screwdriver to turn cam. Turn cam (clockwise) until fully tightened. Slightly more than half a turn.



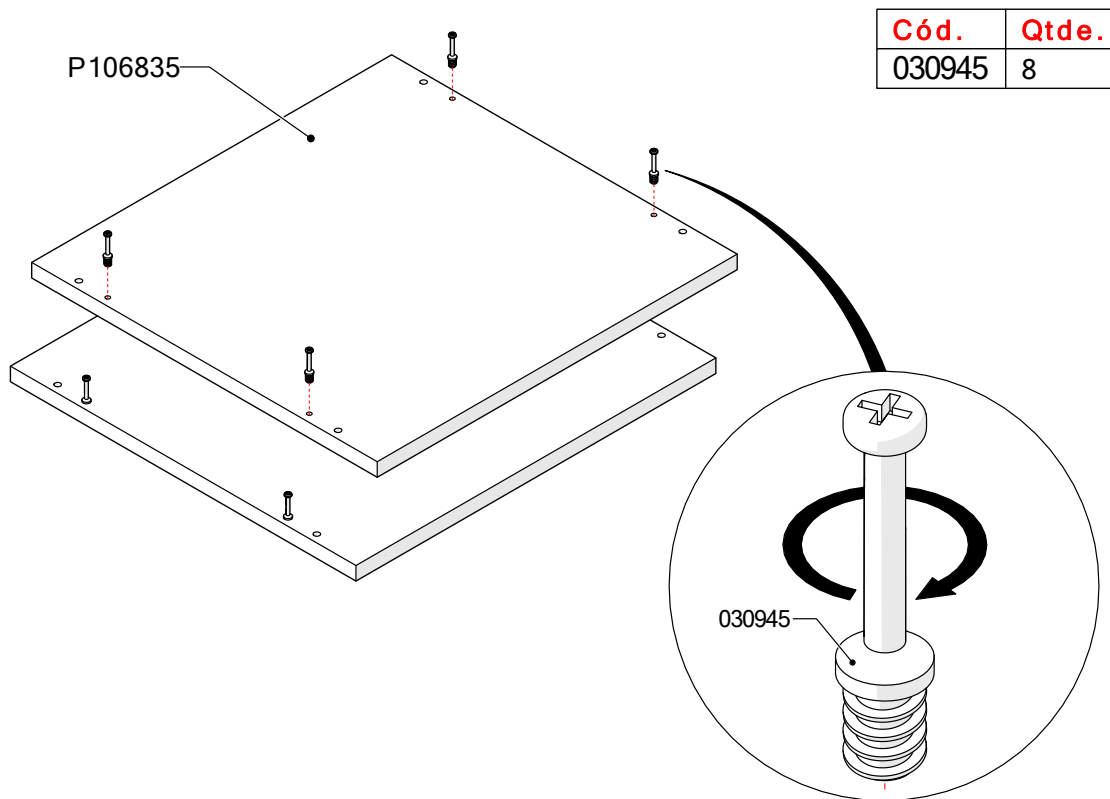
STEP 1



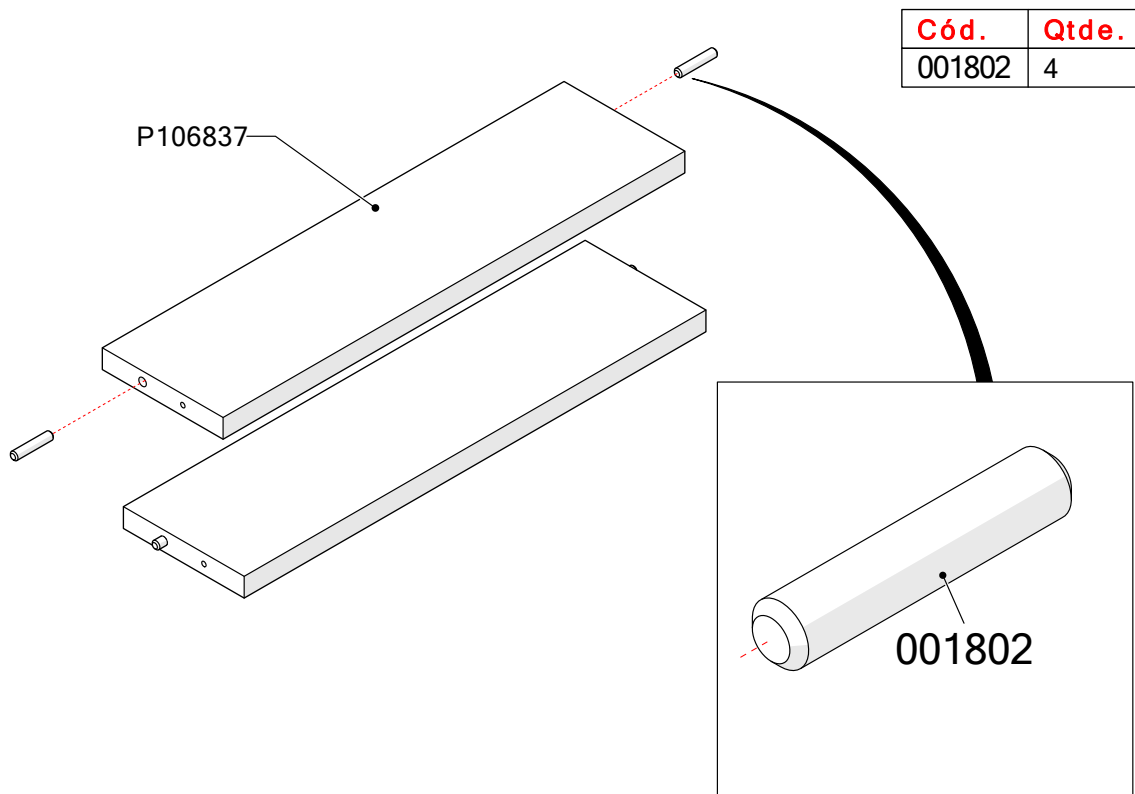
STEP 2



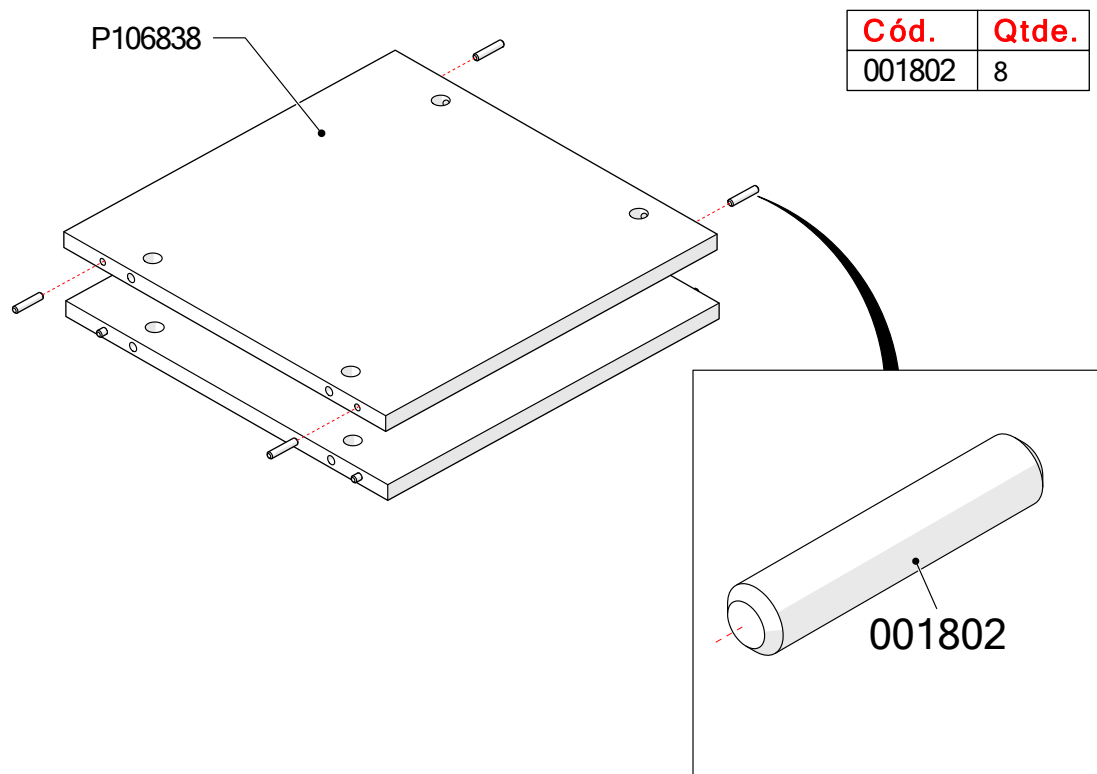
STEP 3



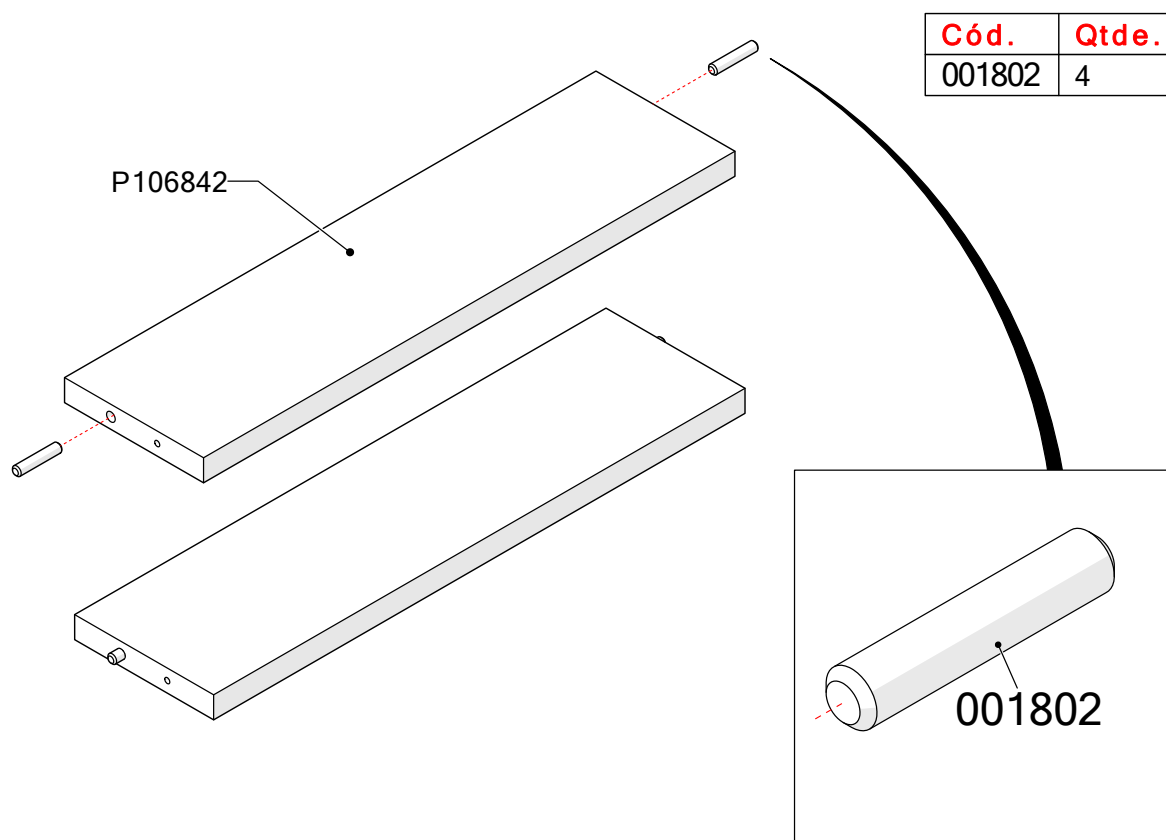
STEP 4



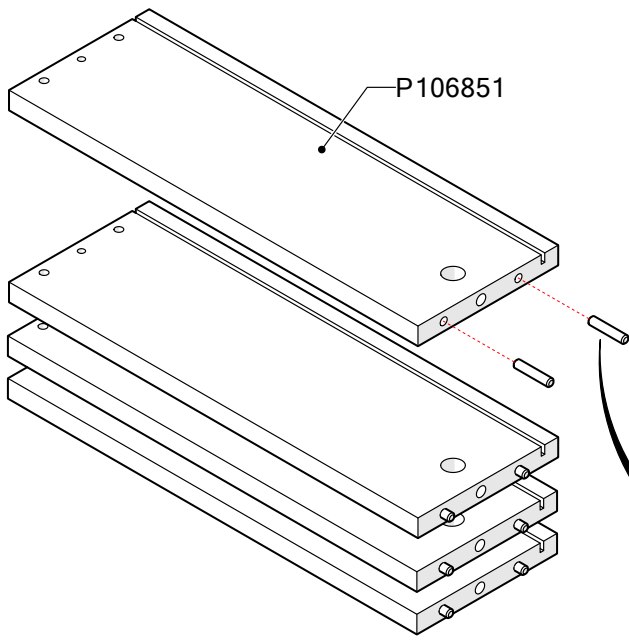
STEP 5



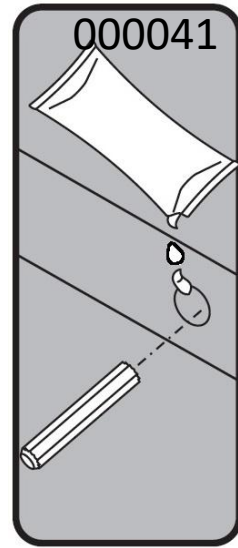
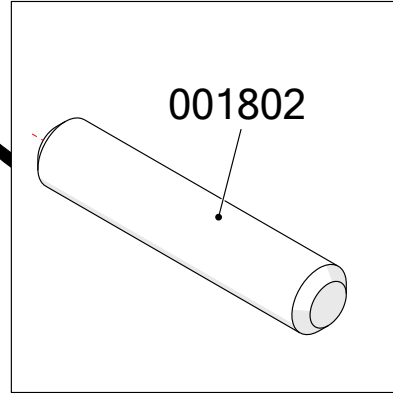
STEP 6



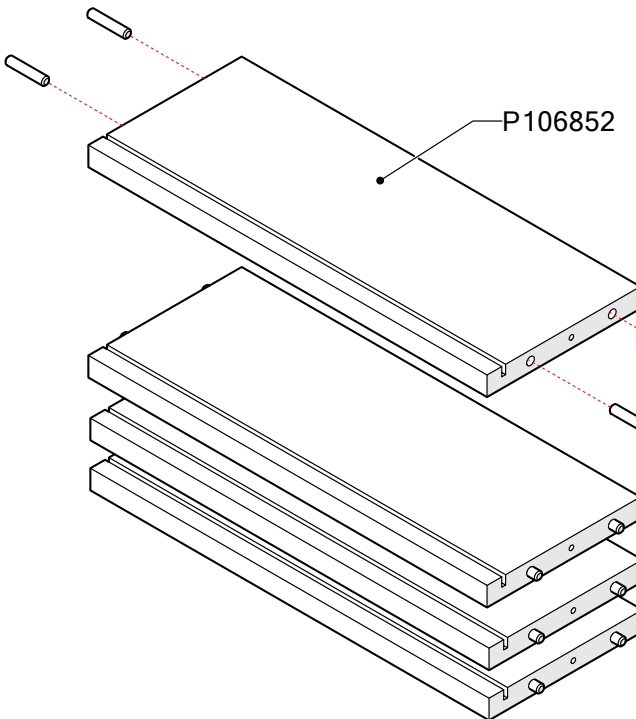
STEP 7



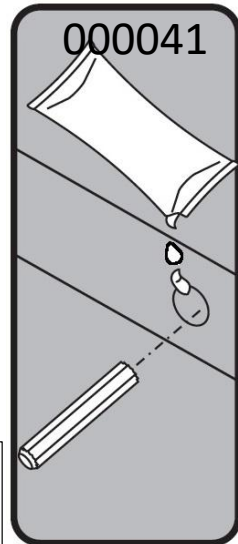
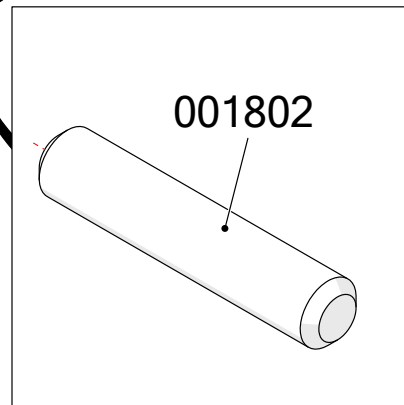
Cód.	Qtde.
001802	8



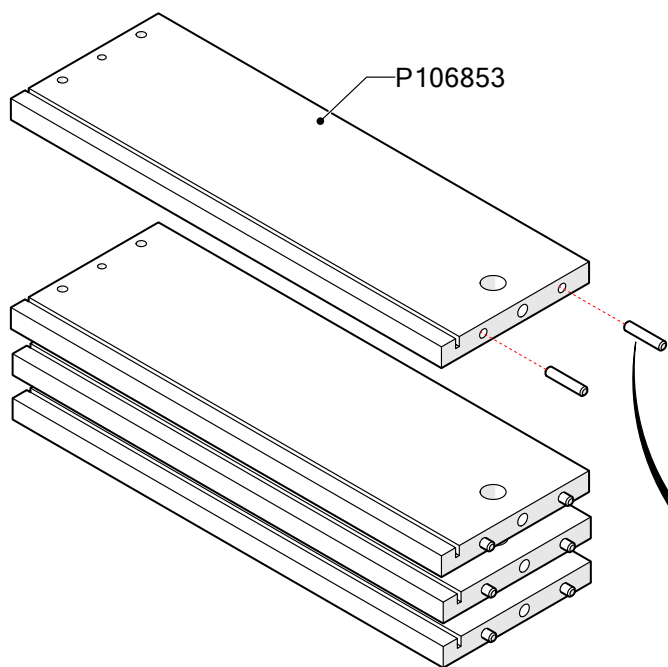
STEP 8



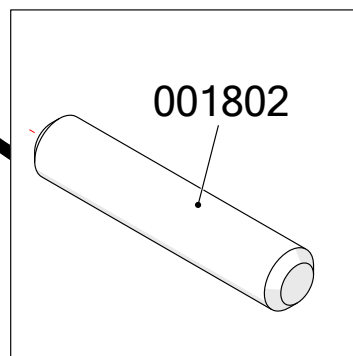
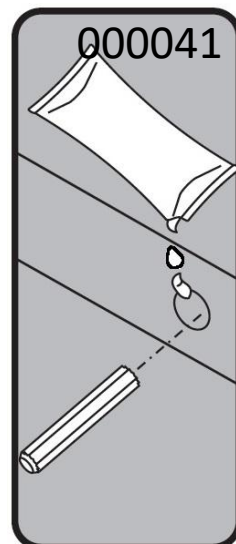
Cód.	Qtde.
001802	16



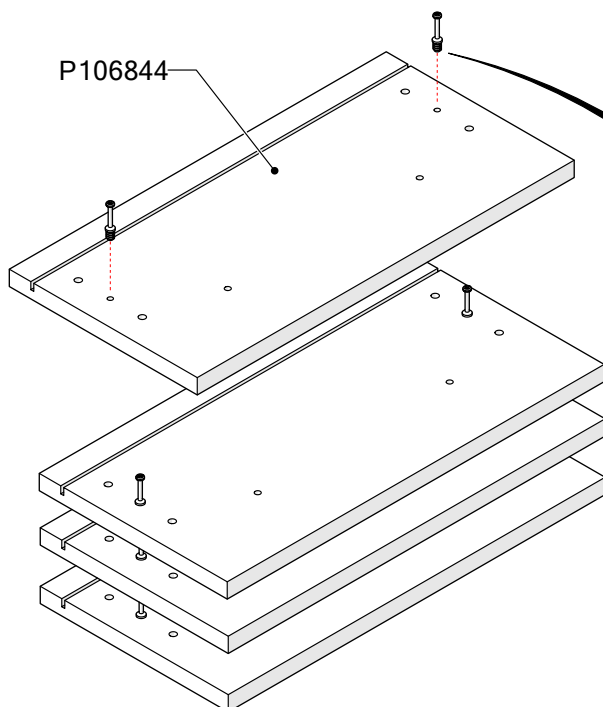
STEP 9



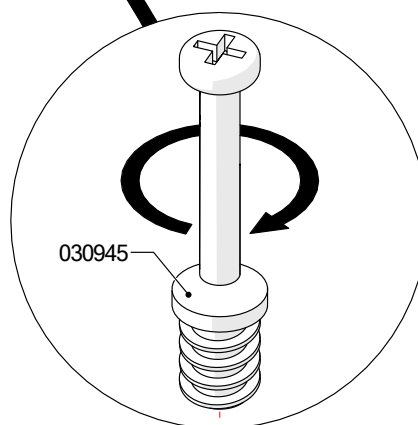
Cód.	Qtde.
001802	8



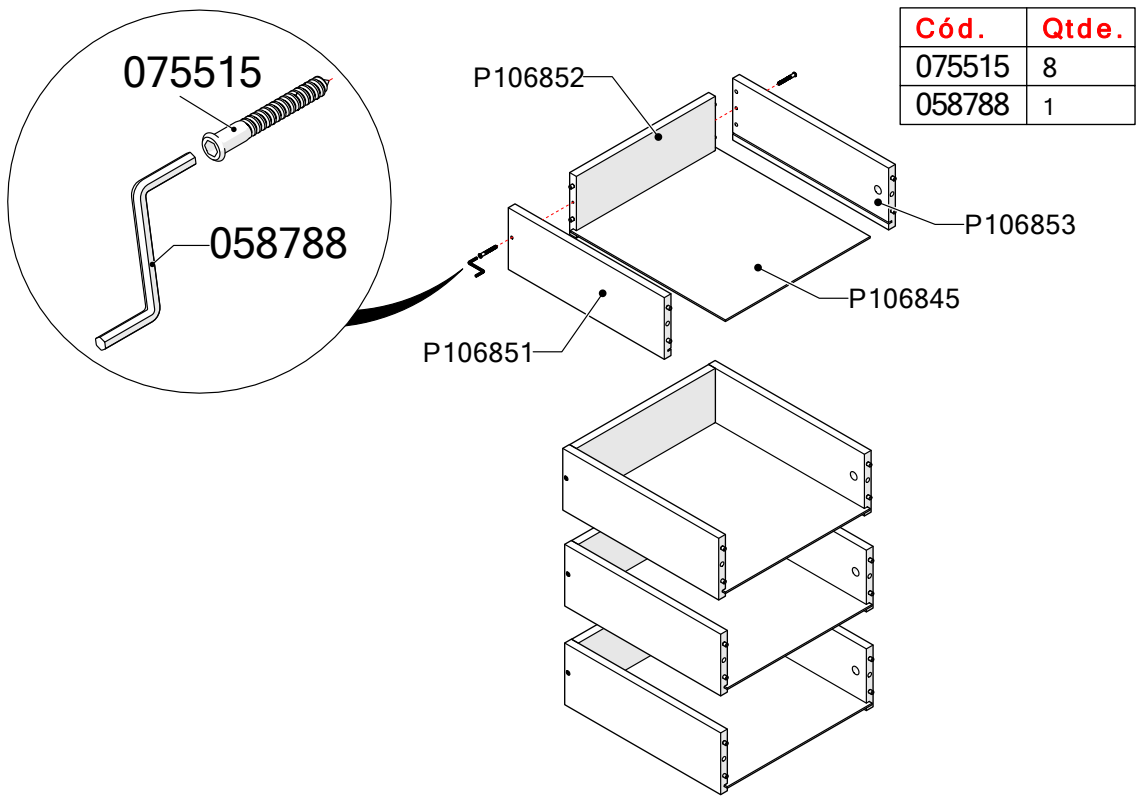
STEP 10



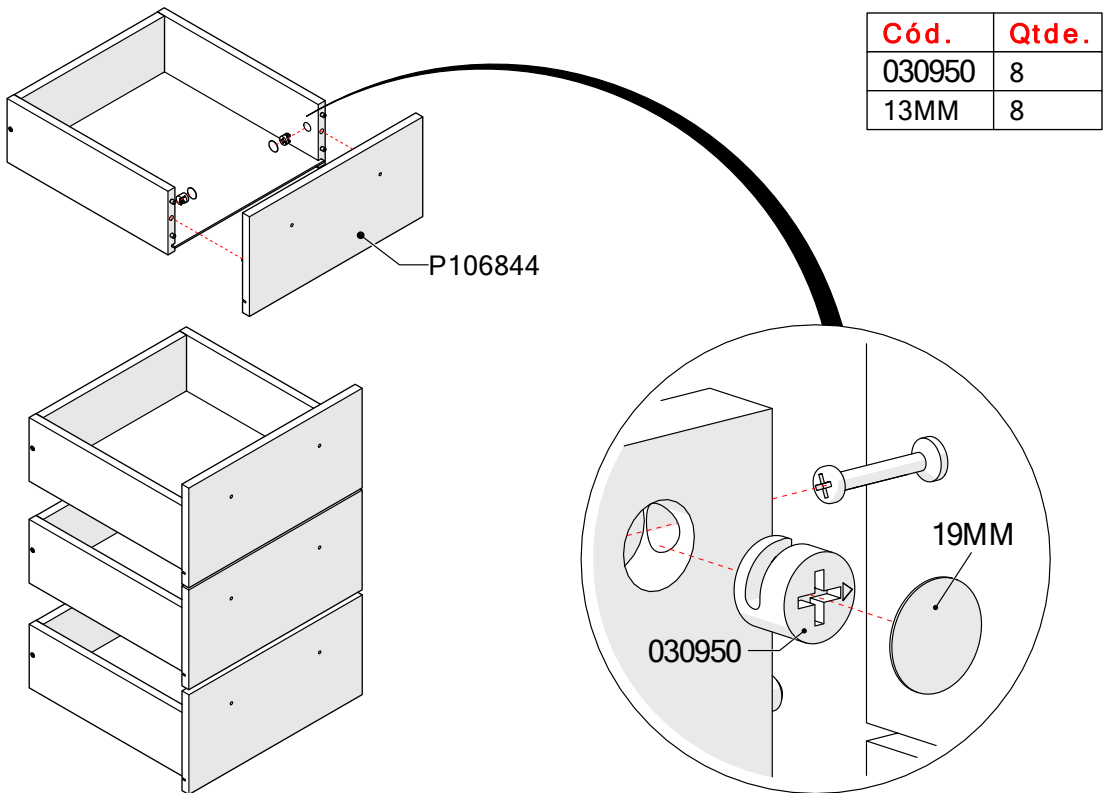
Cód.	Qtde.
030945	8



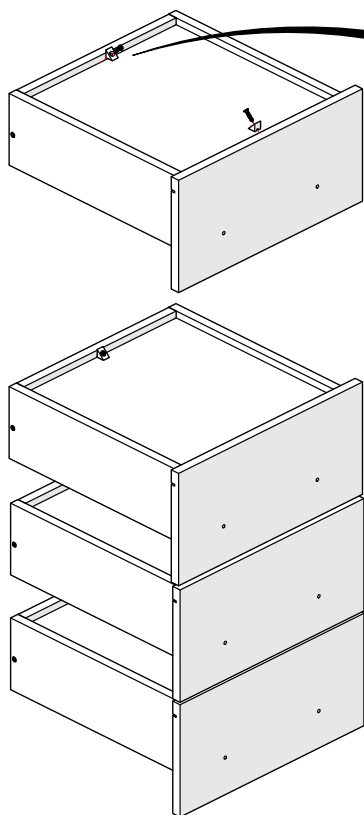
STEP 11



STEP 12

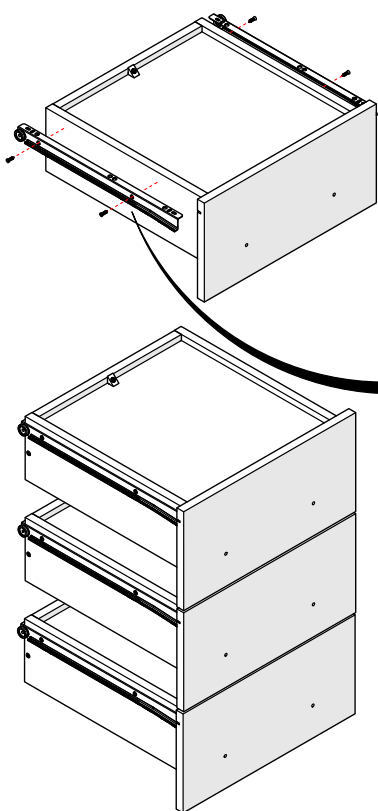


STEP 13

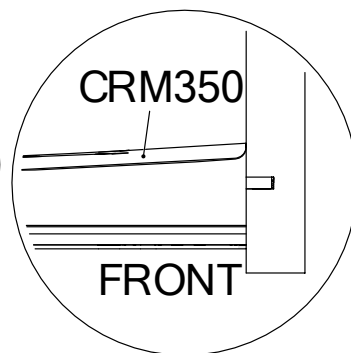
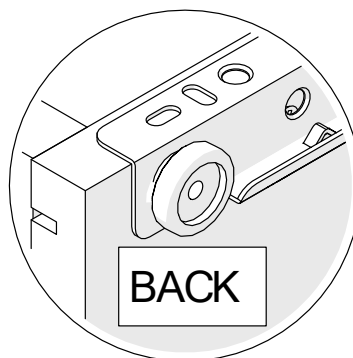


Cód.	Qtde.
018458	8
005256	8

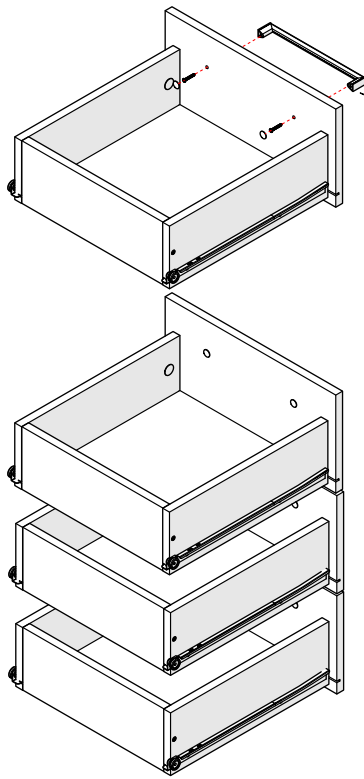
STEP 14



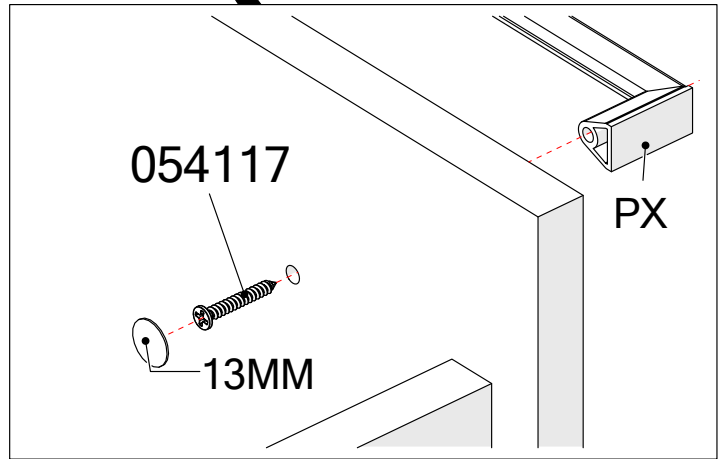
Cód.	Qtde.
CRM350	8
004214	16



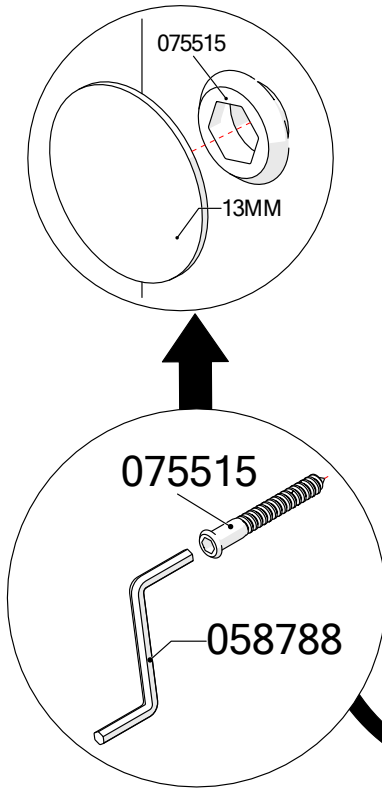
STEP 15



Cód.	Qtde.
PX	4
054117	8
13MM	8

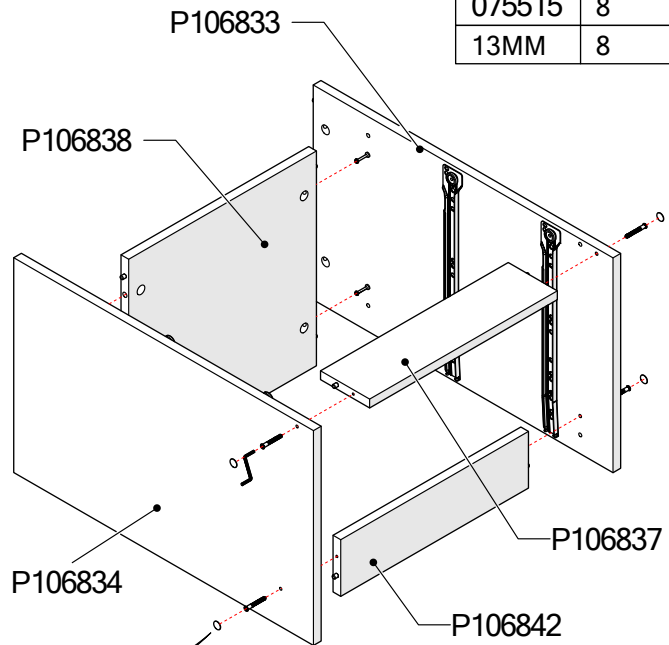


STEP 16



2x

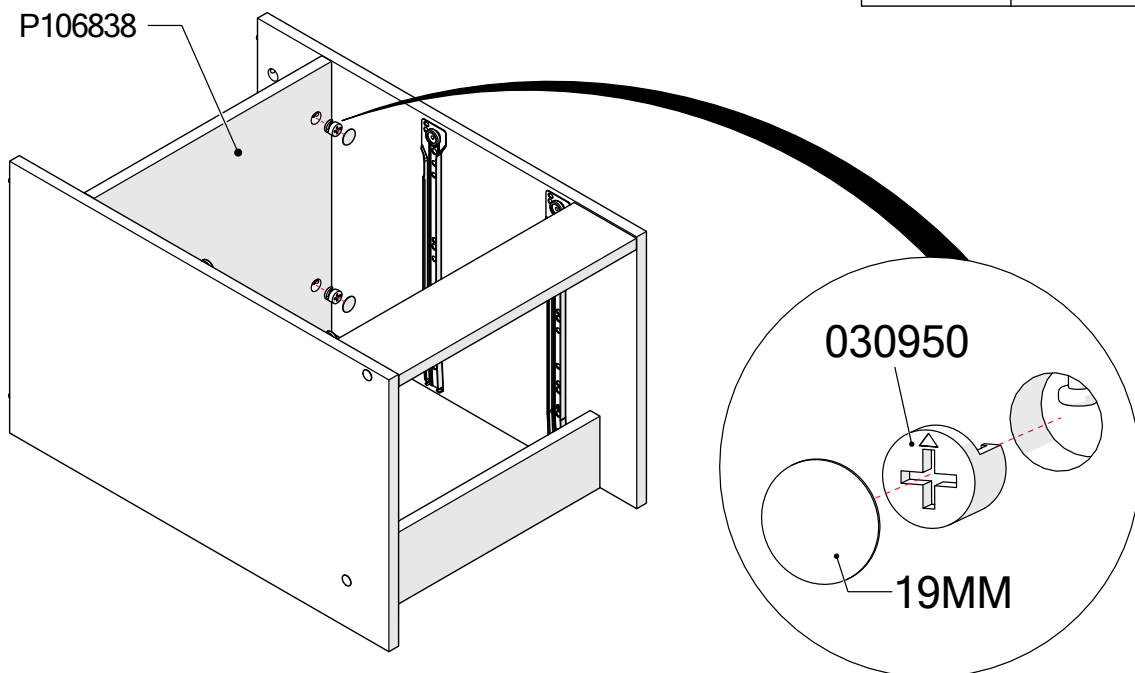
Cód.	Qtde.
058788	1
075515	8
13MM	8



STEP 17

2x

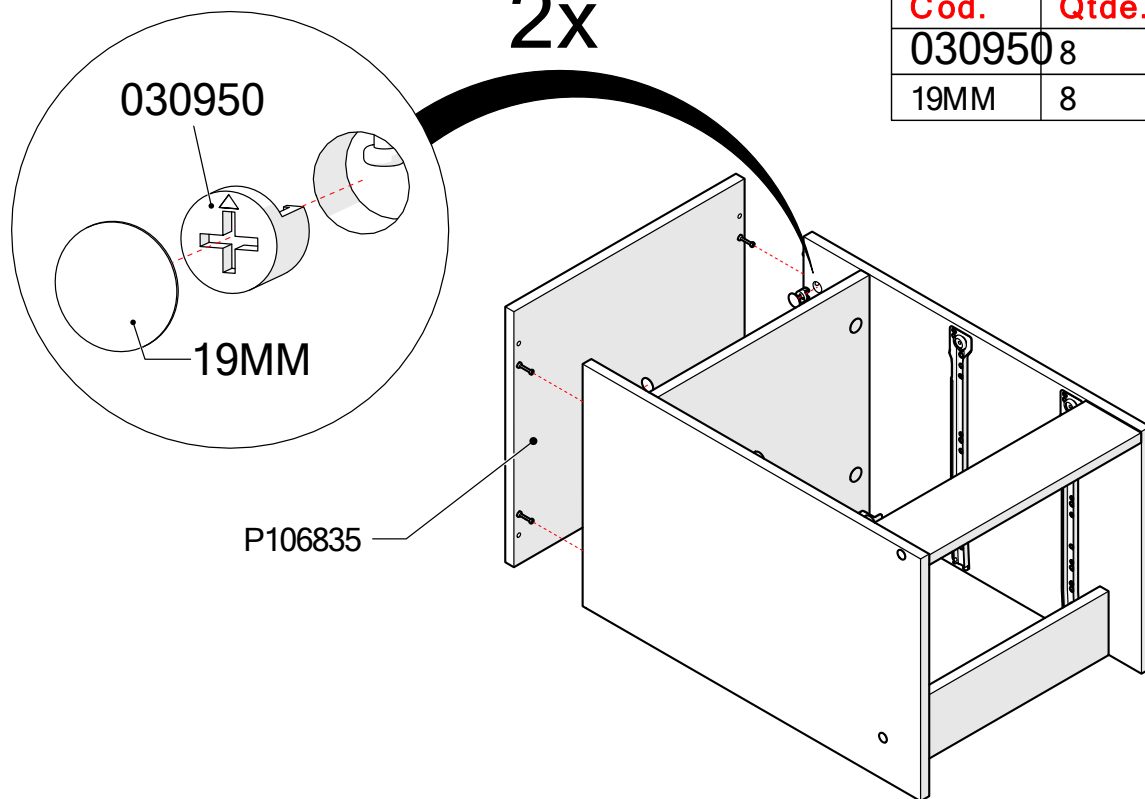
Cód.	Qtde.
030950	8
19MM	8



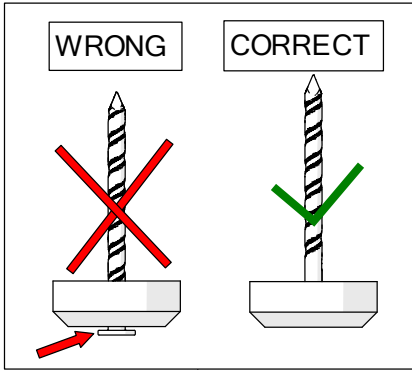
STEP 18

2x

Cód.	Qtde.
030950	8
19MM	8

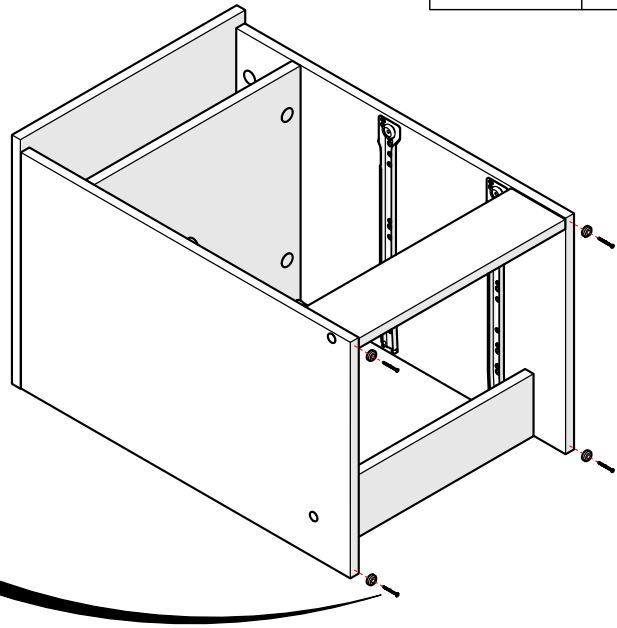
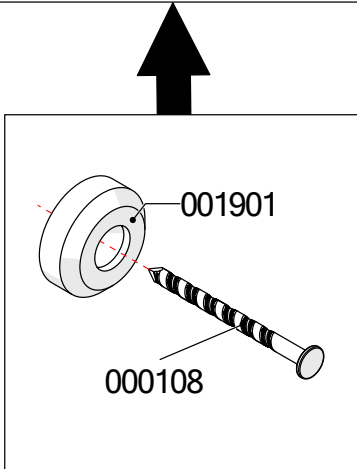


STEP 19



2x

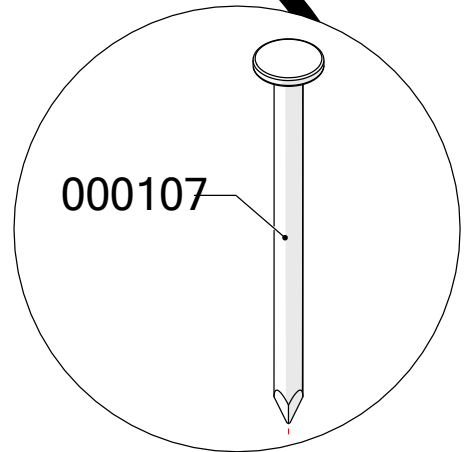
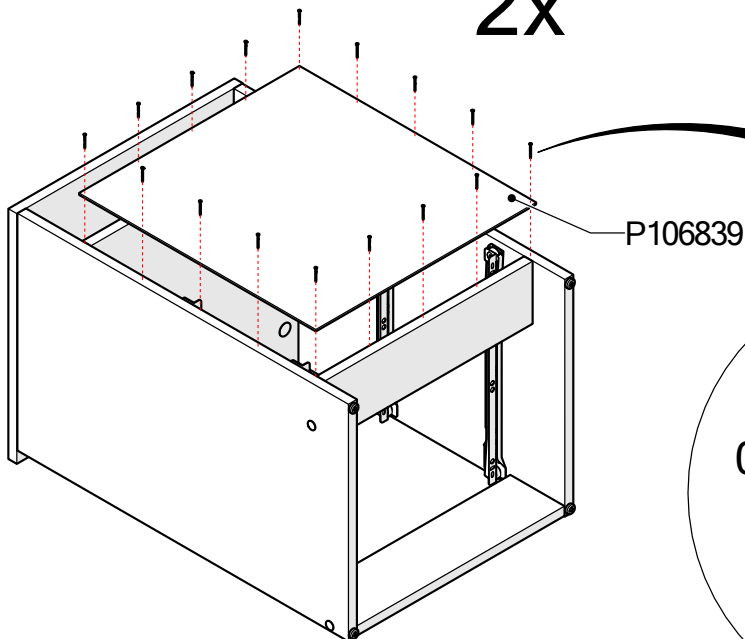
Cód.	Qtde.
000108	8
001901	8



STEP 20

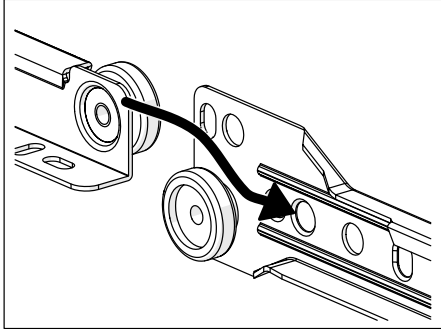
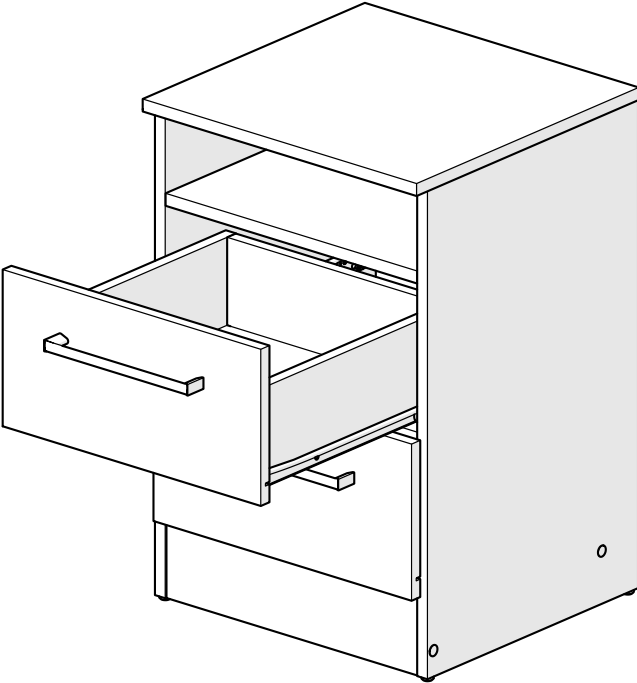
2x

Cód.	Qtde.
000107	32



STEP 21

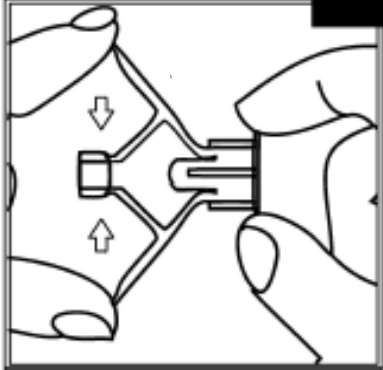
2x



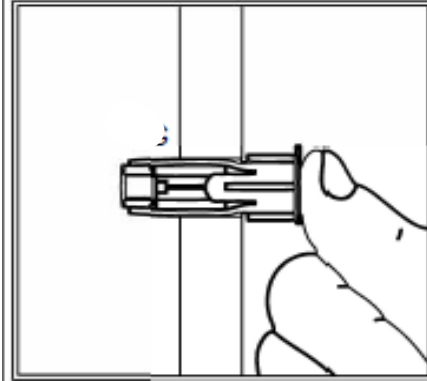
STEP 19

NOTE: Do not turn the DRYWALL ANCHOR into a 10 fasten the SAFETY ANTI-TIPPING

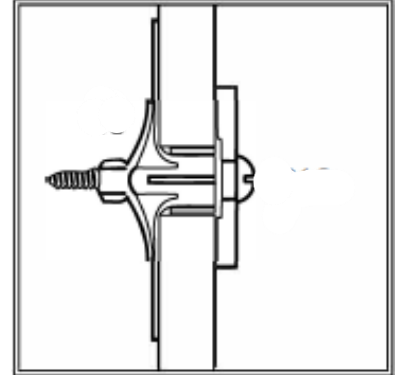
Compress the wings of anchor before inserting.



Insert the chuck into the hole of the base material.

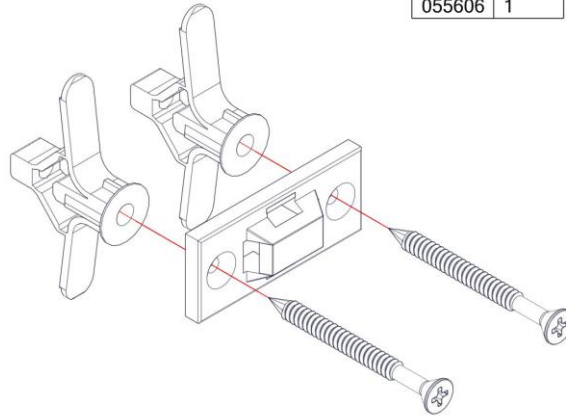


Position the object over the bushing and secure it with a screw.



WALL

Cód.	Qtde.
032069	2
051980	2
055606	1



Important

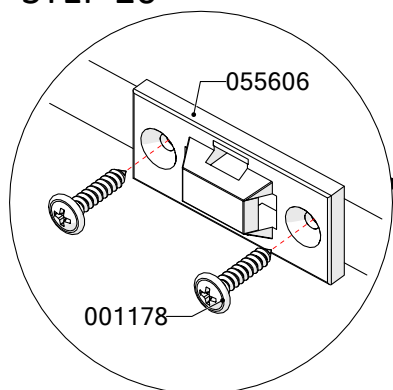
The minimum length of the screw must be the bushing length + object thickness that will be fixed.

To guarantee the wing expansion function of the bushing, after the screw head is at the object to be fixed, one must continue to rotate the screw until maximum torque is reached.

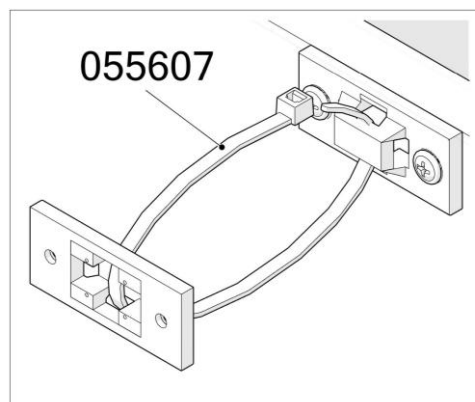
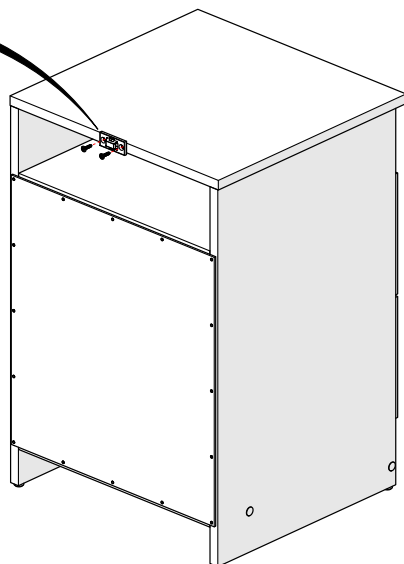
Pierce the base material a 0.39 in. drill.



STEP 20



Cód.	Qtde.
001178	4
055606	2



A WARNING – Anti-Tip Advisory

Potential of serious fatal crushing injuries may occur from furniture tip-over. To help prevent tip-over:

ALWAYS INSTALL the tip-over restrain that came with your furniture. This tip-over restrains only reduces but does NOT completely eliminate the risk of tip-over

- ALWAYS Place the heaviest items in the lowest/bottom drawer.
- NEVER place heavy objects on top of this product.
- NEVER allow children to scale/climb/hang on the drawers, doors, or shelves.
- NEVER open more than one drawer at a time.

B ADVERTENCIA - Aviso antivuelco

Pueden producirse lesiones graves por aplastamiento mortales debido al vuelco de los muebles. Para ayudar a prevenir vuelcos:

- SIEMPRE INSTALE el sistema de retención que viene con sus muebles. Este sistema antivuelco solo reduce pero NO elimina por completo el riesgo de vuelco.
- SIEMPRE coloque los artículos más pesados en el cajón más bajo /inferior.
- NUNCA coloque objetos pesados encima de este producto.
- NUNCA permita que los niños escalen, trepen o se cuelguen de los cajones, puertas o estantes.
- NUNCA abra más de un cajón a la vez