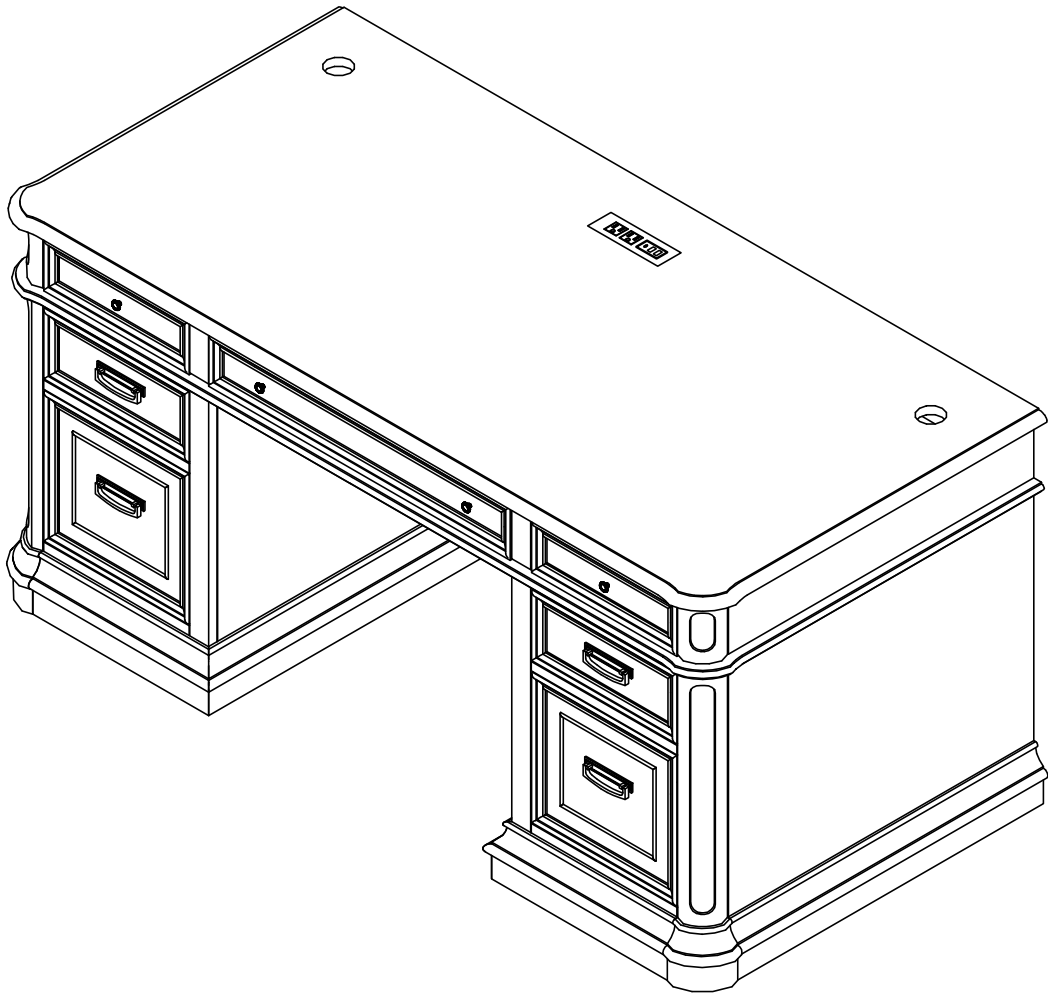
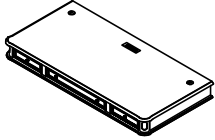
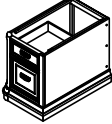
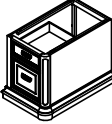
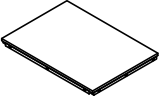









# WINCHESTER ASSEMBLY INSTRUCTIONS



PARTS LIST

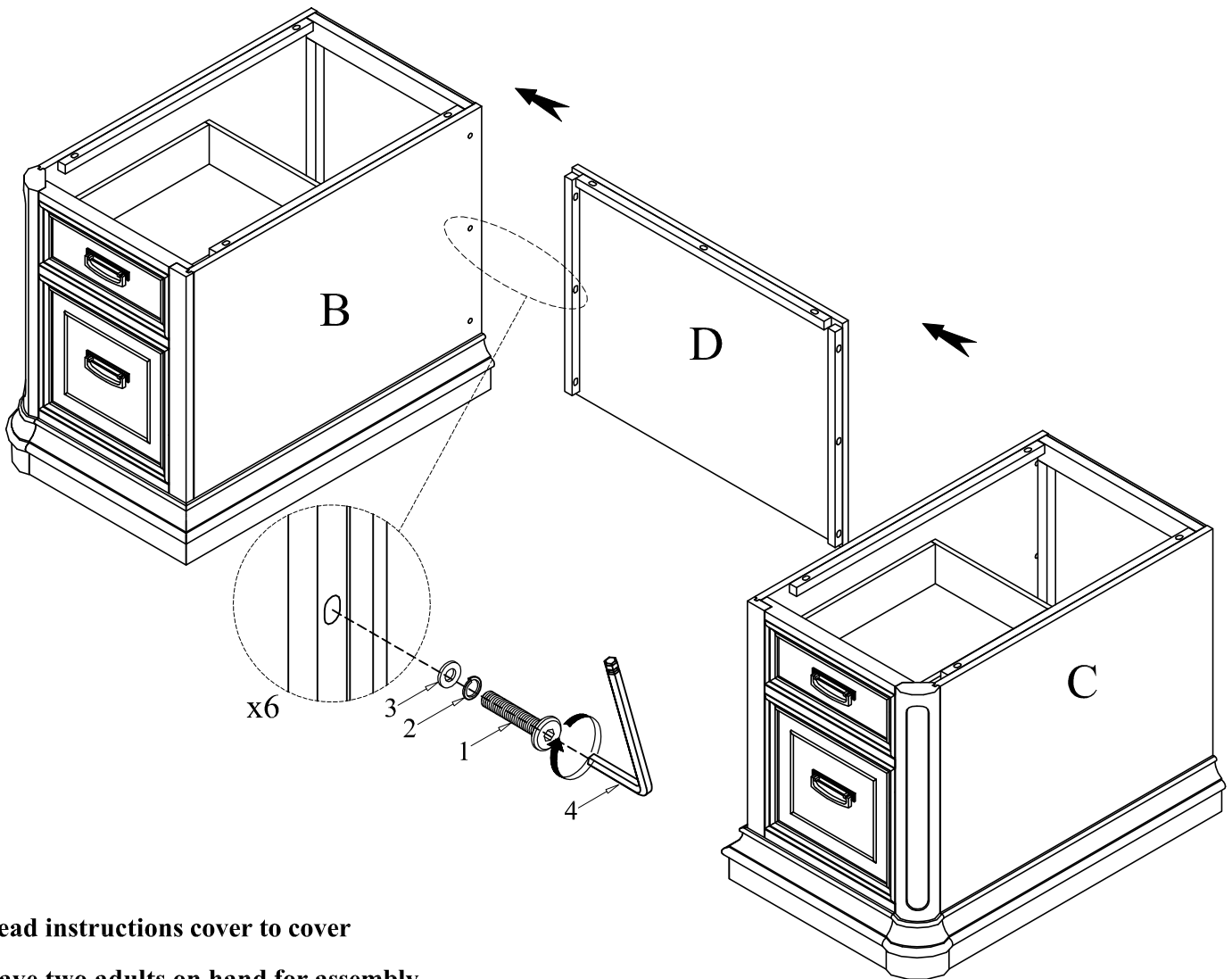
LABEL	PICTURE	DESCRIPTION	QTY
A		Table Top	1
B		Right Pier	1
C		Left Pier	1
D		Panel	1





HARDWARE

LABEL	PICTURE	DESCRIPTION	QTY
1		Allen Bolt M1/4"*1-3/8"	17
2		Spring washer M1/4*Ø10mm	17
3		Flat washer M1/4*Ø19mm	17
4		Allen Key 4mm	1
5		Anti-tip kit	1

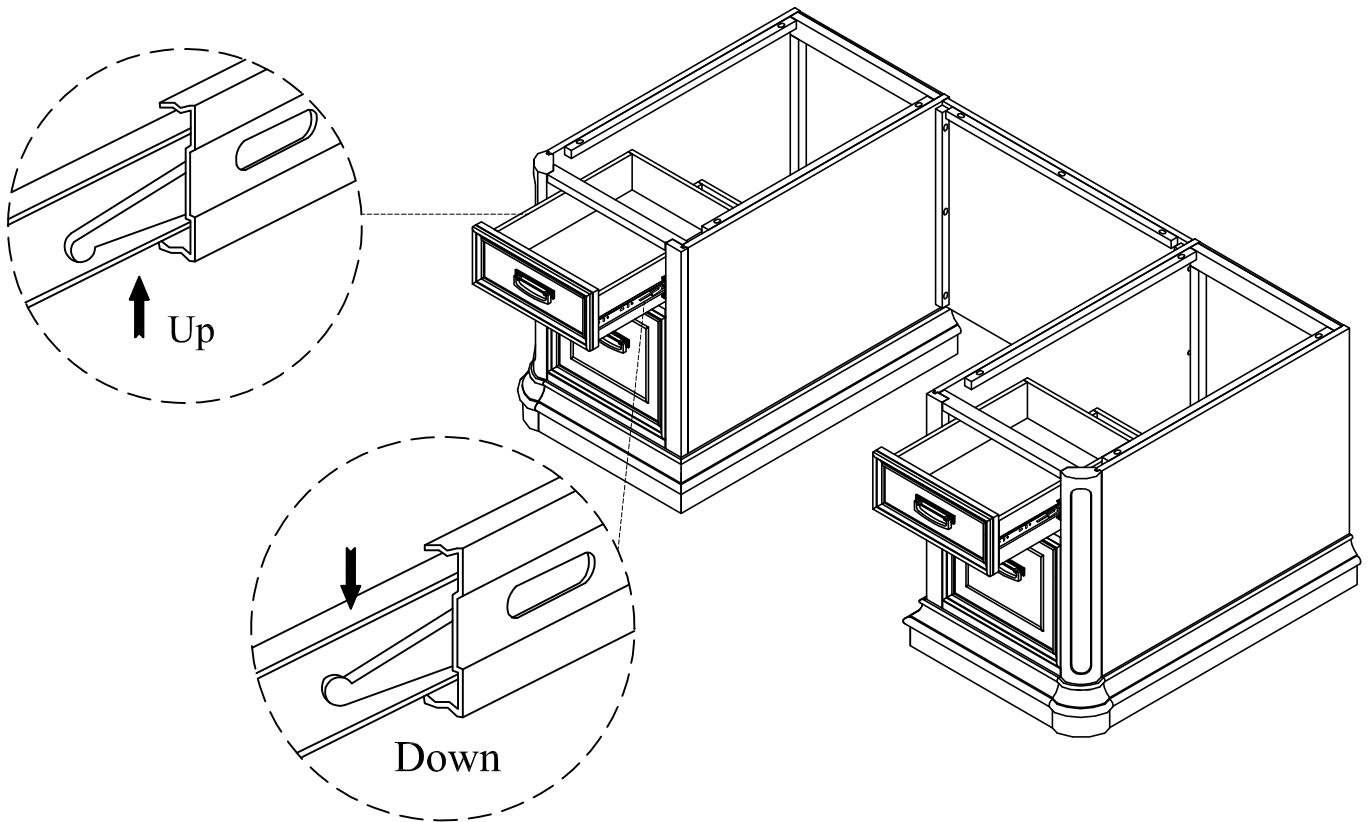
ASSEMBLY STEPS

STEP 1: Attach the Panel (D) on the Right Pier (B) and the Left Pier (C)

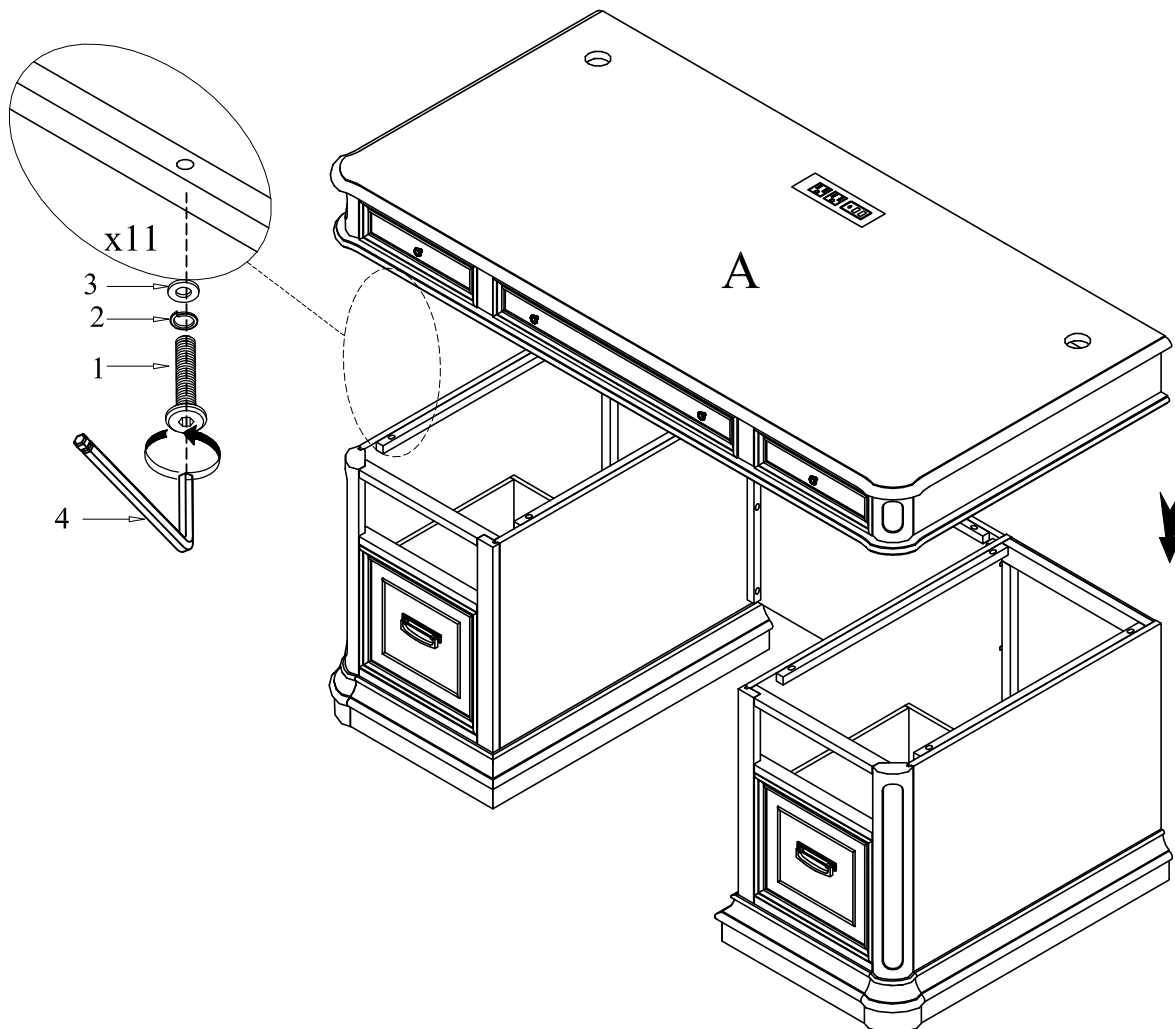


-  **Read instructions cover to cover**
-  **Have two adults on hand for assembly**
-  **Do not assemble on flooring or carpet. Assemble on a clean non - marring surface (ex: packing foam)**
-  **Save all packing until assembly is completed**

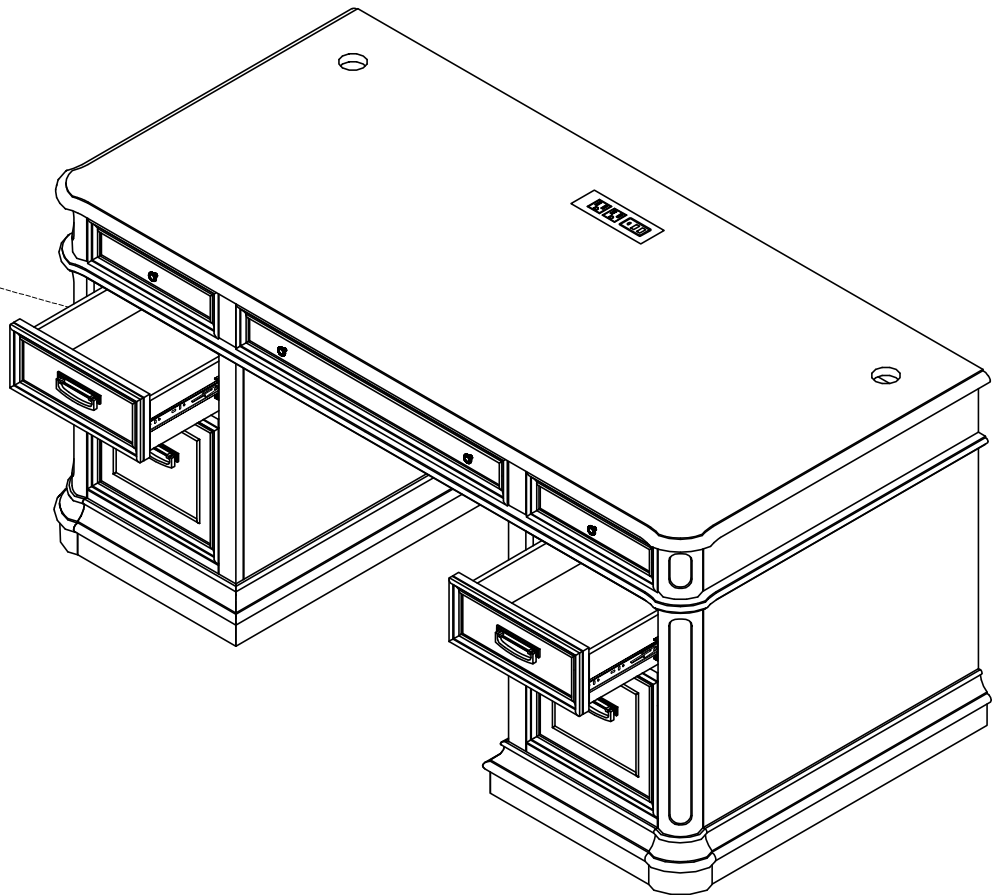
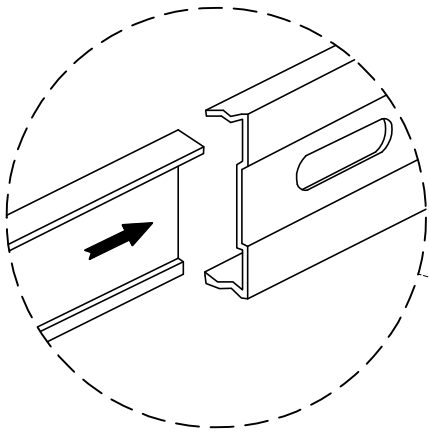
STEP 2: Remove side drawers



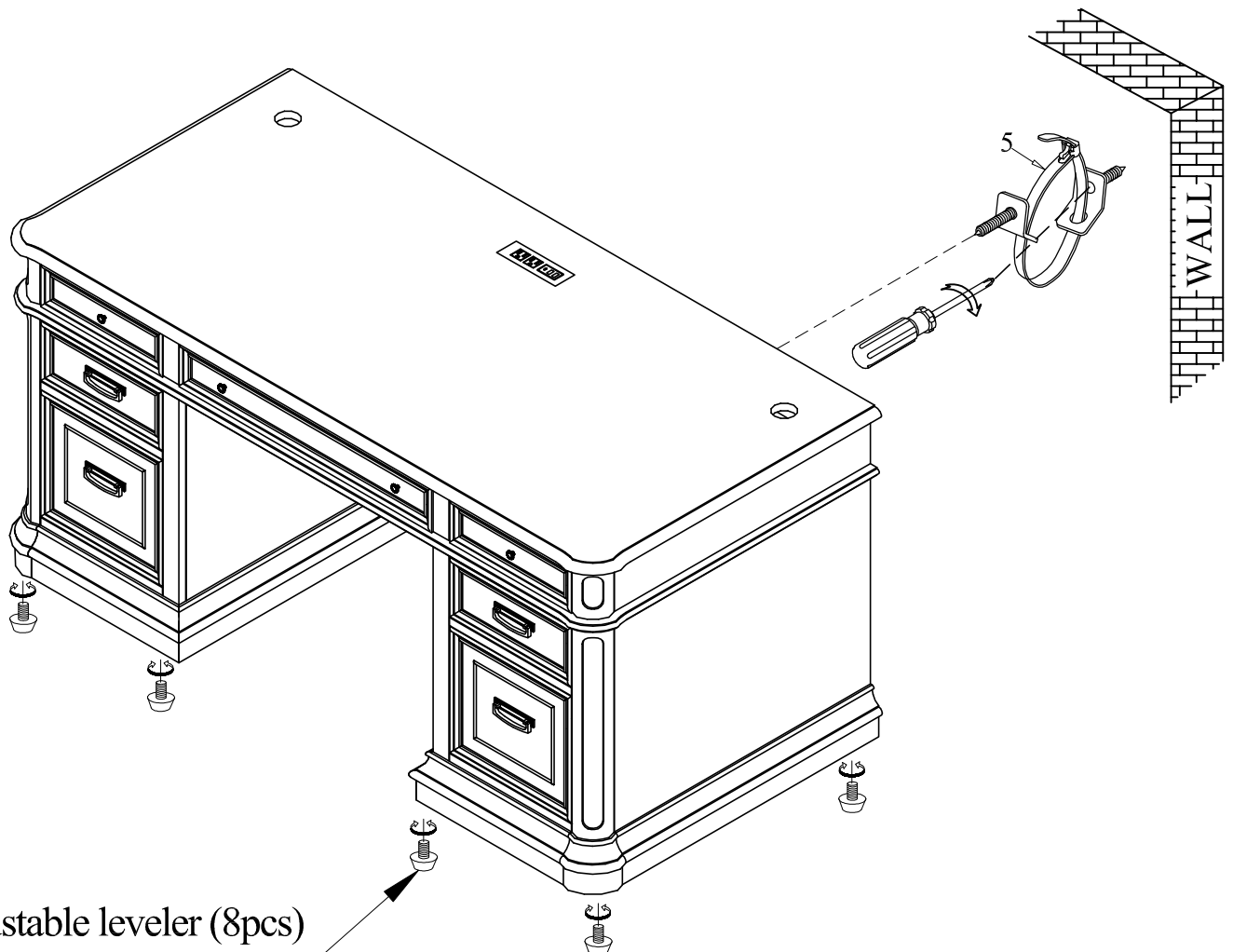
STEP 3: : Attach the Table Top (A)



STEP 4: Re-attach side drawers



Complete



Adjustable leveler (8pcs)

## CARE & MAINTENANCE

---



Do not put hot items directly on furniture surface.



Do not clean furniture with harsh cleansers or polish.



Dust and wipe up spills using a clean, non-colored, lint-free cloth.



Stains may be removed with a mild soap solution and a damp cloth.



Do not place furniture under direct sunlight.



Do not place furniture near heating or cooling vents.



Do not write on furniture without a padded barrier to protect the surface.



Do not place furniture outside, for indoor use only