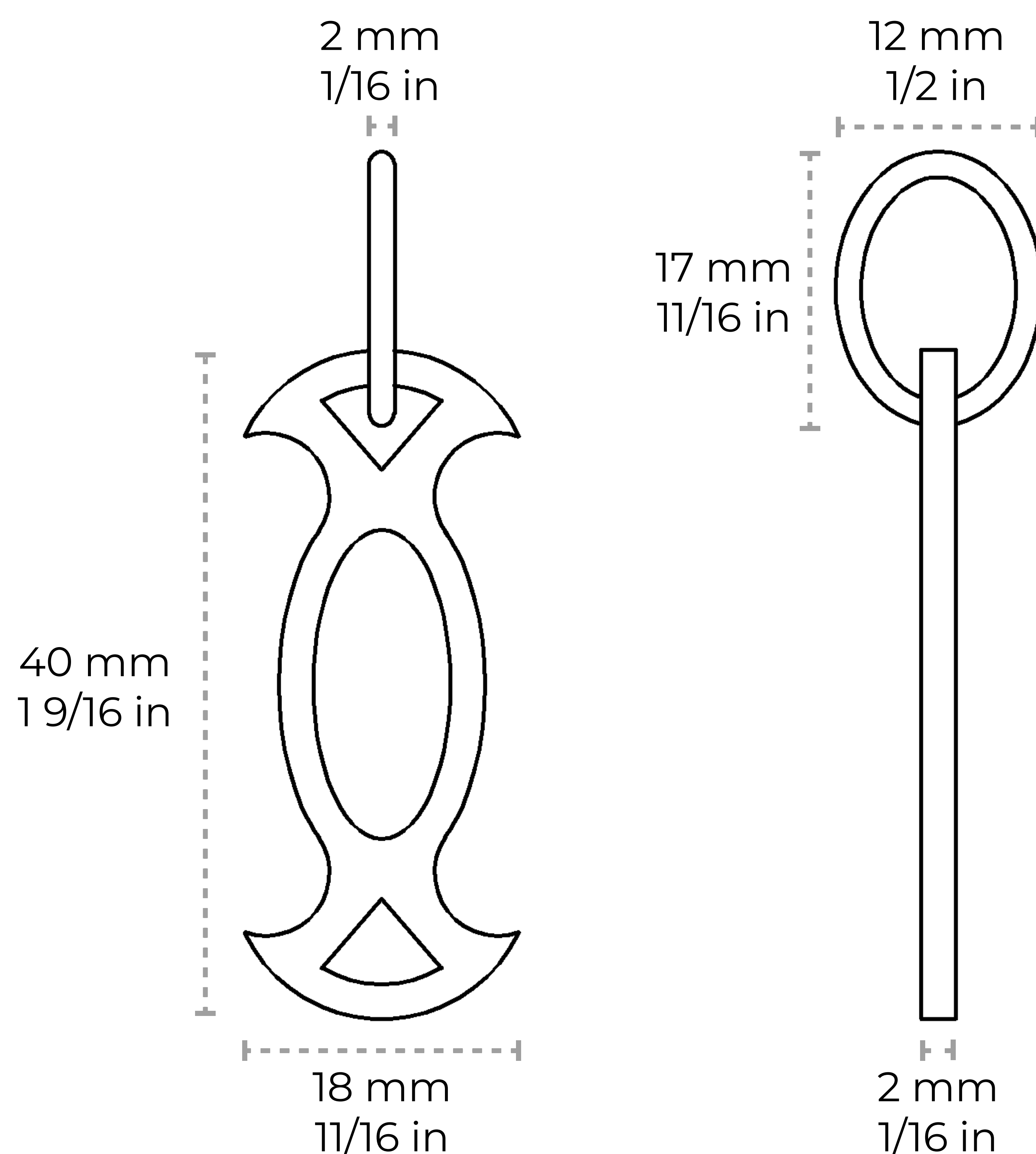


CH-BR47-W40

[Chain BR47-W] Brass Designer Chandelier Chain



Material	Brass
Welding Type	Welded
Max Load	42 lbs
Weight per Foot	0.06 lbs/ft
Main Link Measurements	Length: 40 mm 1 9/16 in Width: 18 mm 11/16 in Diameter: 2 mm 1/16 in
Connecting Link Measurements	Length: 17 mm 11/16 in Width: 12 mm 1/2 in Diameter: 2 mm 1/16 in

Contact:

1-360-392-8121

<https://www.rchhardware.com>

