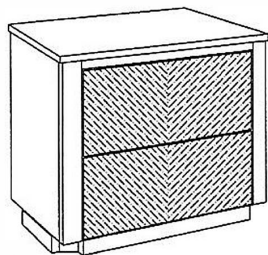


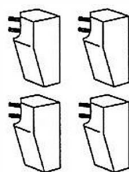
ASSEMBLY INSTRUCTION

A Nightstand



1 pc

B Leg



4 pcs

C Hexagon Nut
5/16"



8 pcs

D Spring Washer
5/16"



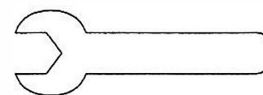
8 pcs

E Flat Washer
M8 x 22mm

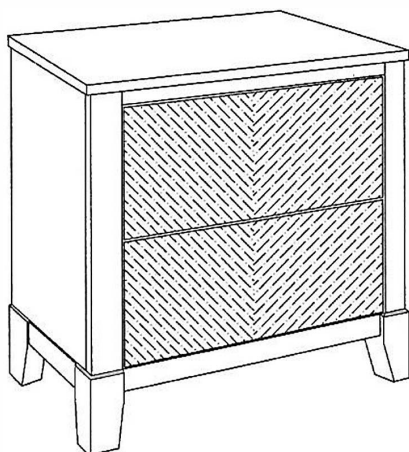


8 pcs

F Wrench
12.8mm



1 pc

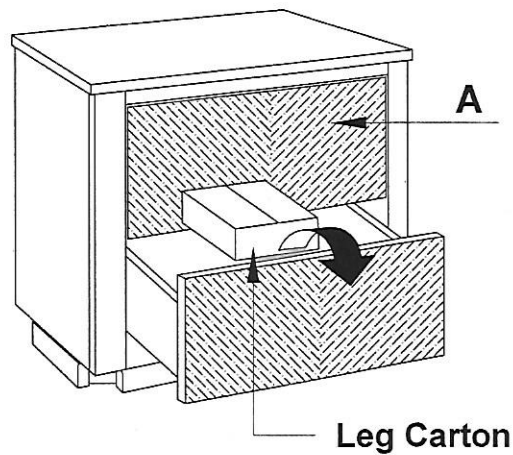


This page lists all the contents included in the box. Please take the time to identify the hardware as well as the individual components to this product. As you unpack and prepare for assembly, place the contents on a carpeted or padded area to protect them from damage.

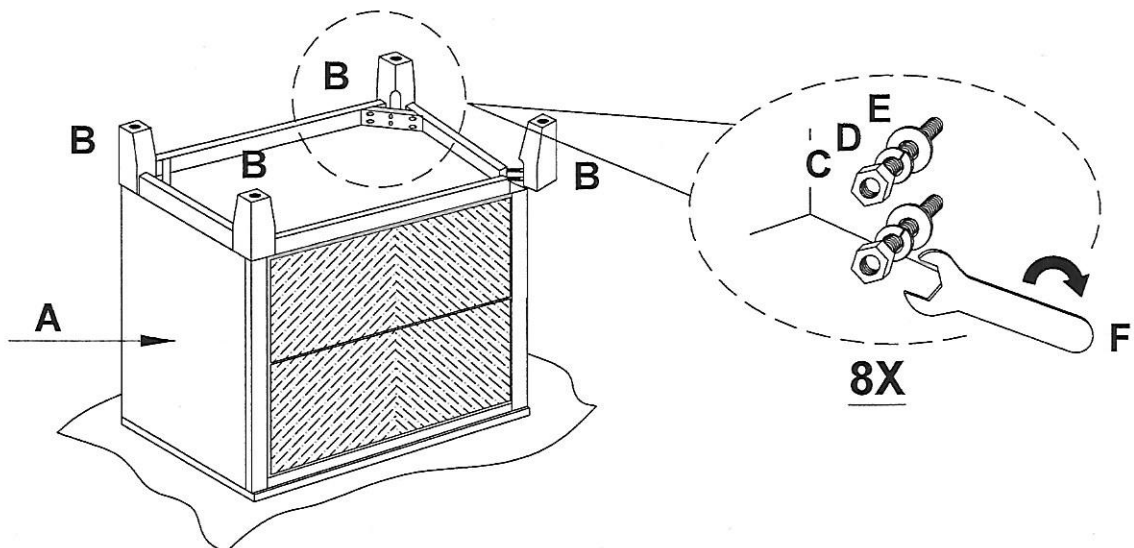
IMPORTANT NOTE :

1. Do not tighten all screws / bolts until all completely assemble.
2. Keep all hardware parts out of reach of children.

1 Open the bottom drawer and find the box that contains the Leg (B).



2 Turn the Nightstand (A) upside down on a piece of cloth prevent finish from scratching. Attached Leg (B) to the corner block of the apron with Flat Washer (E), Spring Washer (D) and Hexagon Nut (C). Tighten the Hexagon Nut (C) with Wrench (F) provided.



CLEANING & CARE

Treat surface with care. Surface is resistant to scratches but is not scratch resistant. Clean surfaces with a dry or damp soft cloth. Do not use abrasive cleaners. Hardware may loosen over time. Periodically check that all connections are tight.