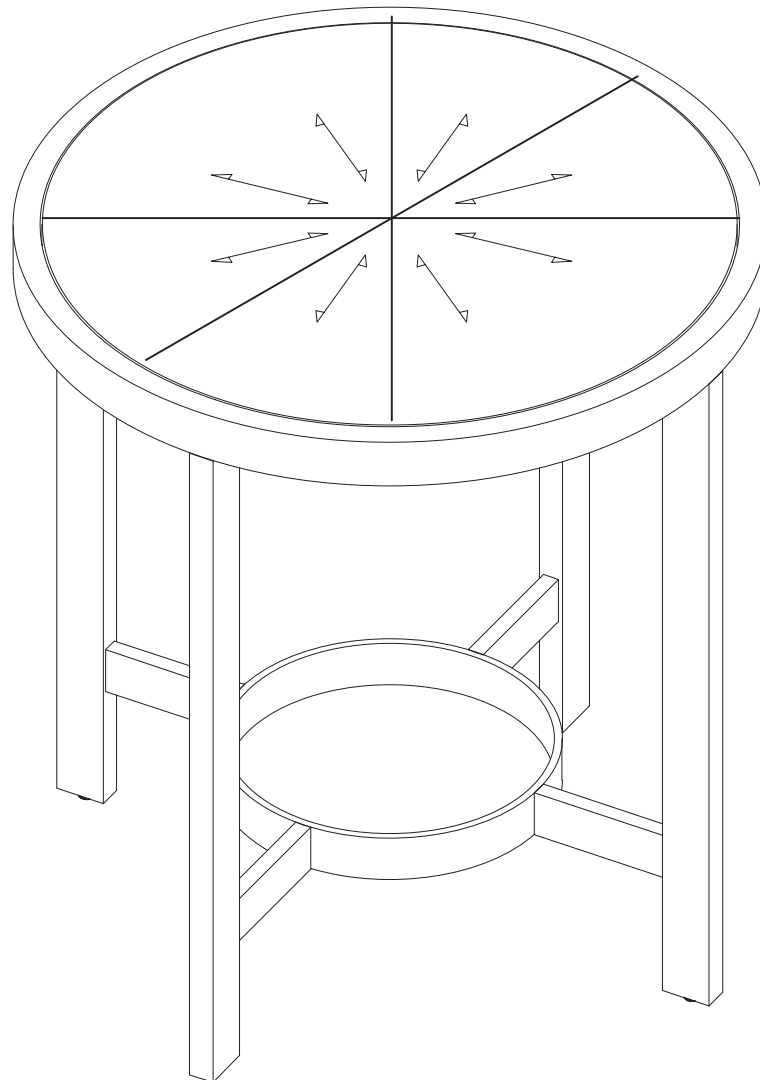
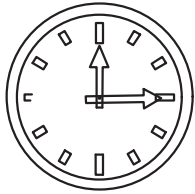


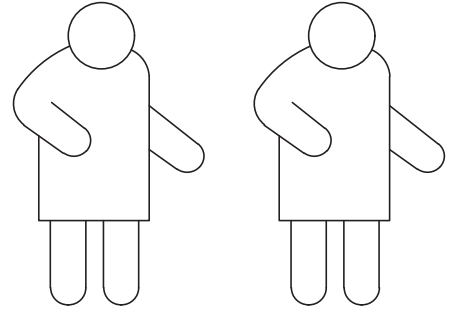
Assembly Instructions

ROUND END TABLE

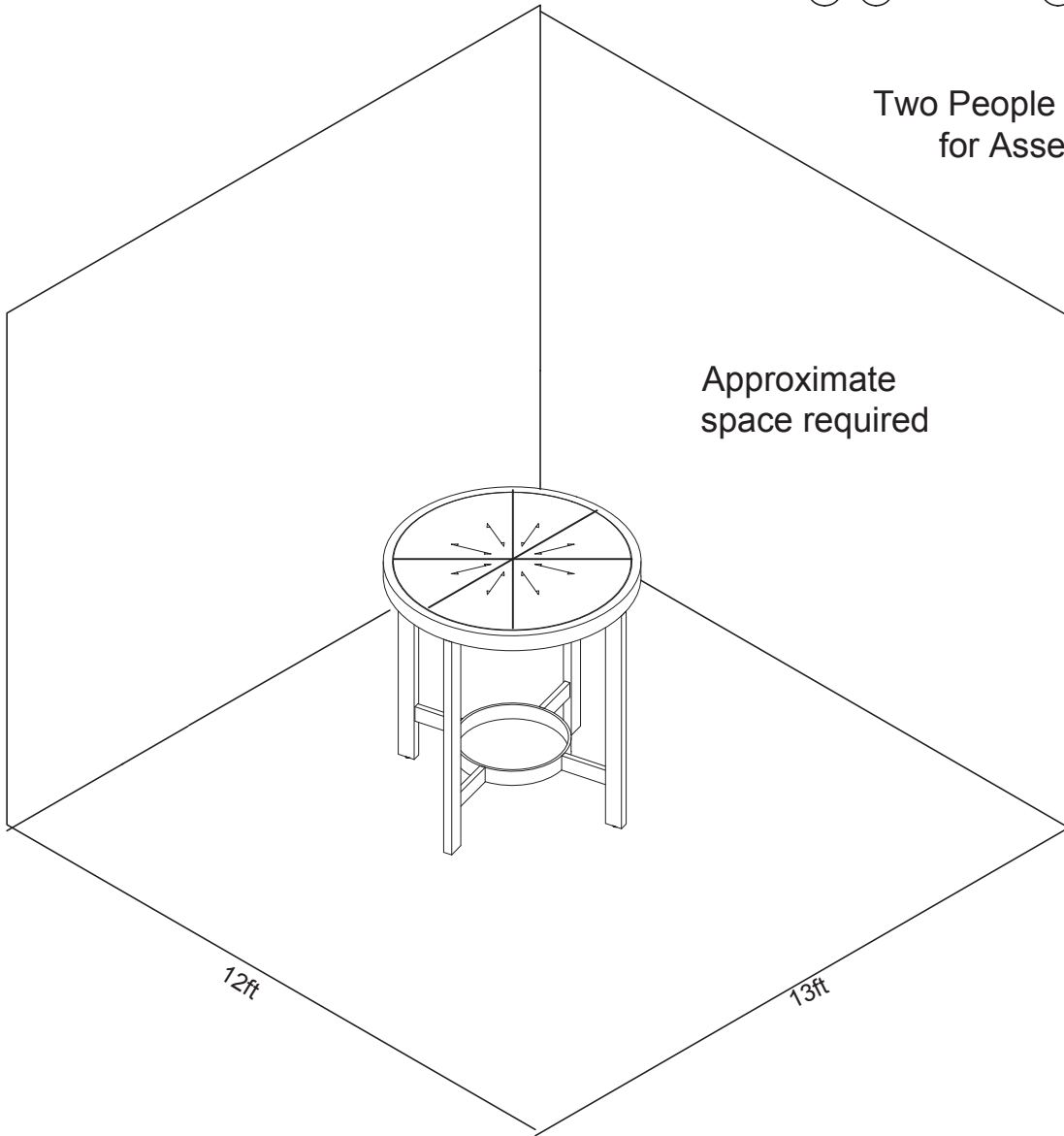




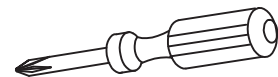
15 min



Two People Required
for Assembly



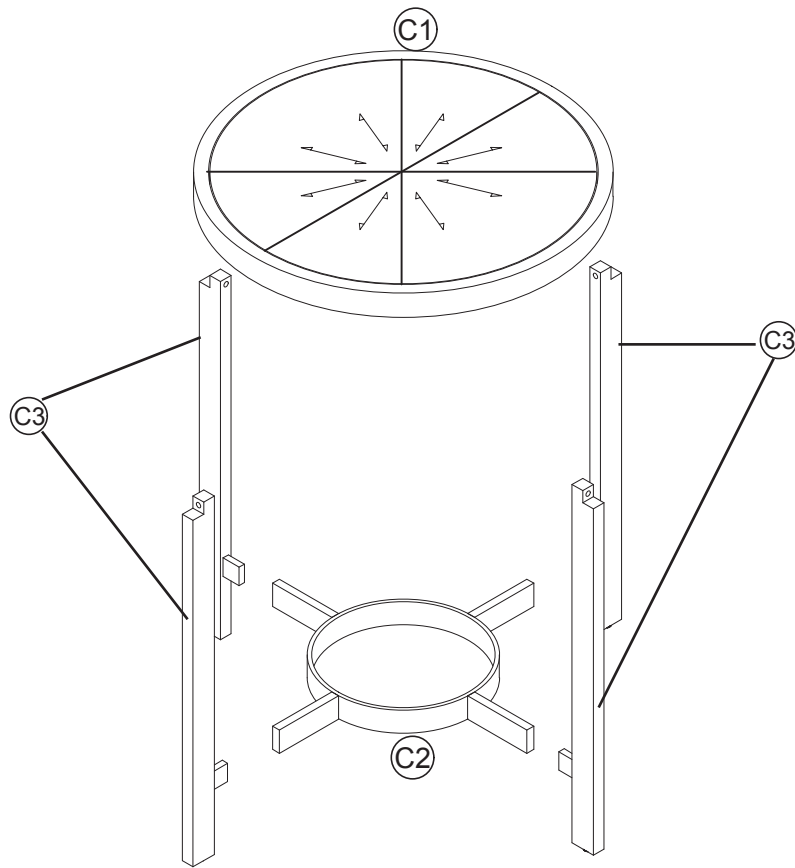
Do Not Use Power Tools





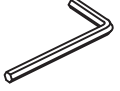
Phillips Head (not provided)

PARTS INCLUDED

- (C1) Top Table x 1
- (C2) Circle Stretcher x 1
- (C3) Leg x 4



Hardware Pack is located in the carton's 8150134

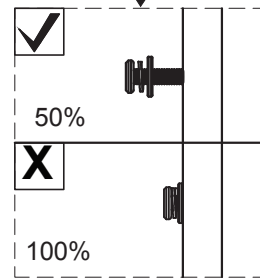
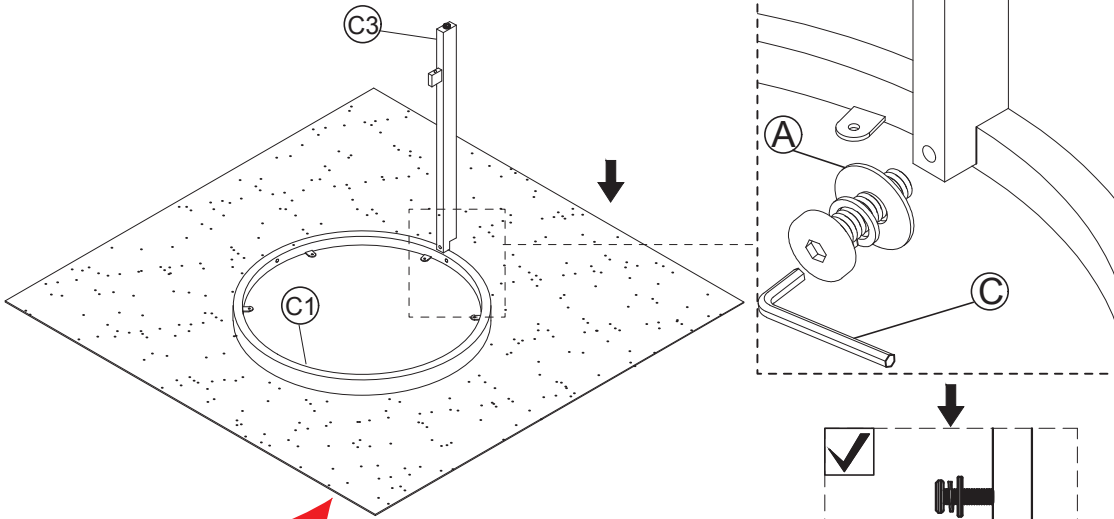
A  Ø6x 38(mm) : 4pcs	B  Ø6x16(mm) : 4pcs	C  Ø4mm. 1pc
---	--	---

1

A x 1

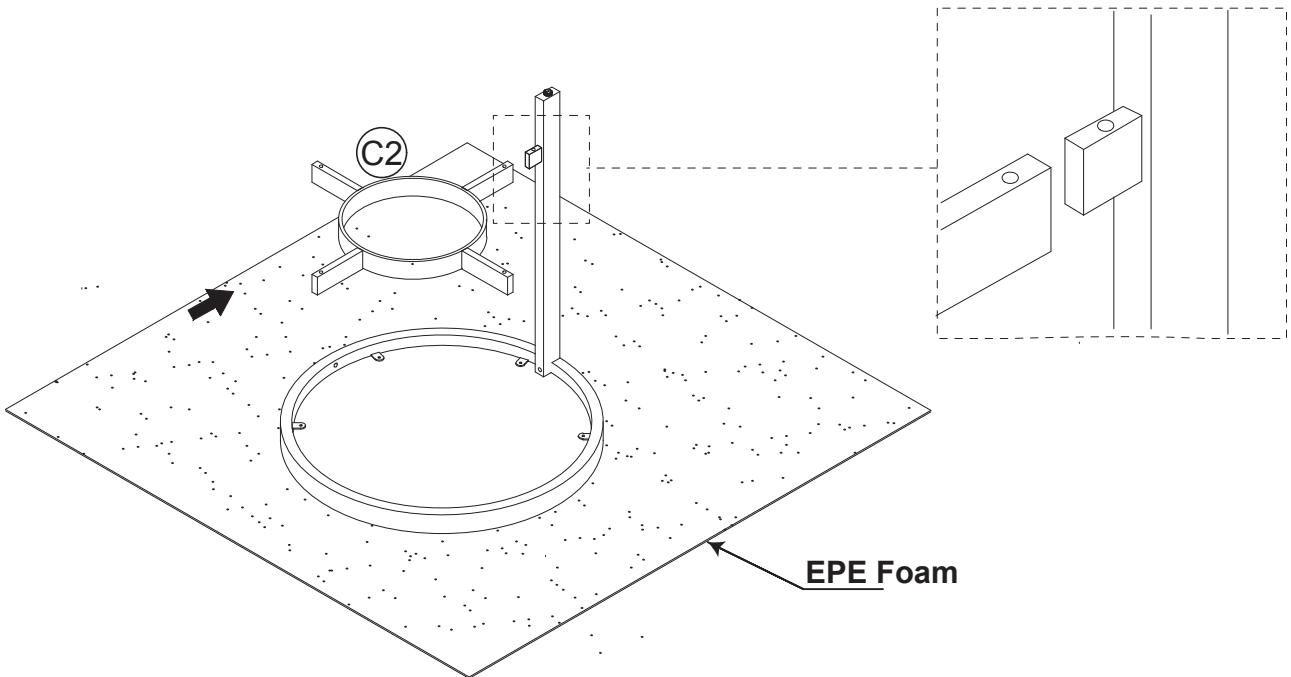


C x 1



EPE Foam
Please lay all components on smooth flat surface to prevent scratches.

2



EPE Foam

3

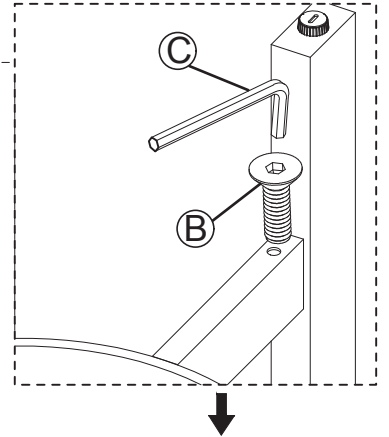
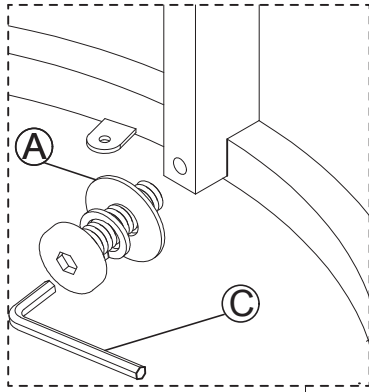
A x 3



B x 4



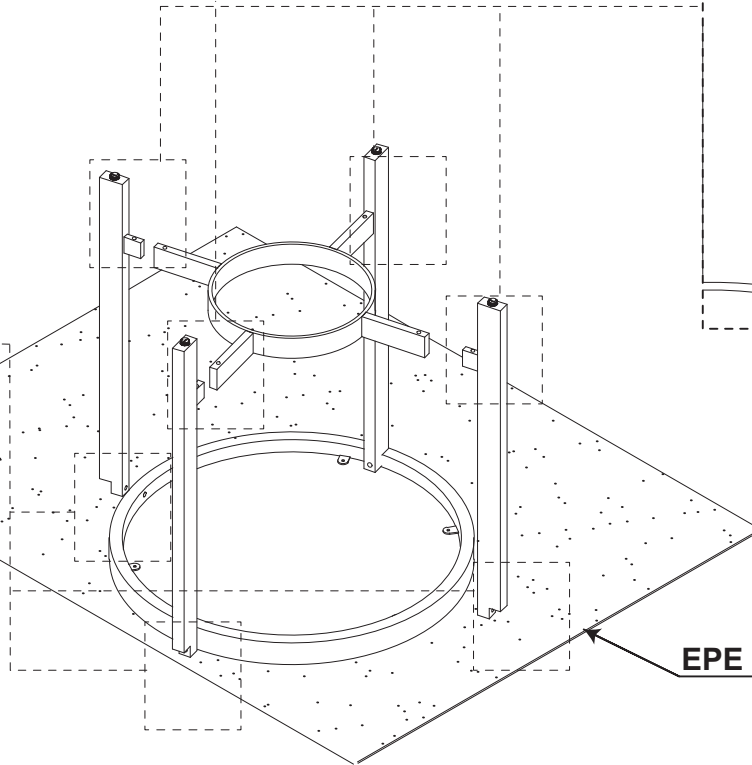
C x 1



100%



100%



EPE Foam

4

