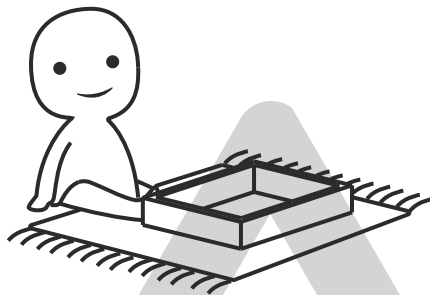
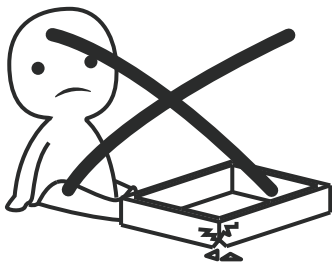


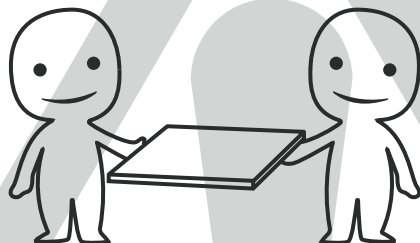
### **IMPORTANT INFORMATION!**

please read the entire manual before starting to assemble and/or using this product. follow the manual thoroughly and keep it for further reference.



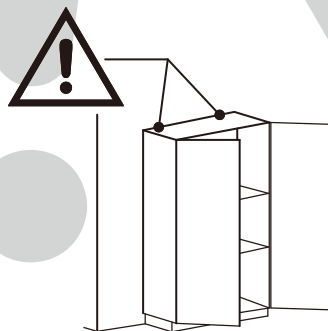
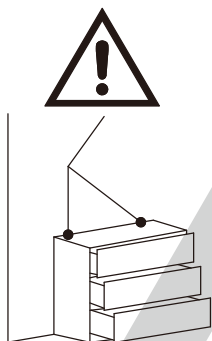
### **AVOID SCRATCHES!**

In order to avoid scratching this furniture should be assembled on a soft layer—could be a rug.



### **IMPROVE EFFICIENCY !**

Try to find a partner to install with you, which can speed up the installation efficiency and shorten the time.



### **ANTI-TOPPLE WARNING !**

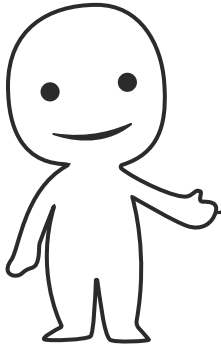
Overturnd furniture can cause serious or fatal crush injuries. To prevent tipping over, be sure to use the wall attachment, if not included with this product. Please purchase the wall attachment that fit your wall. If unsure, seek professional advice. Please read and follow each step of the instructions carefully.

### **IMPORTANT !**

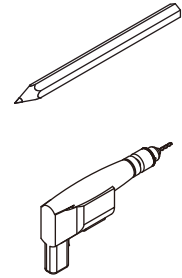
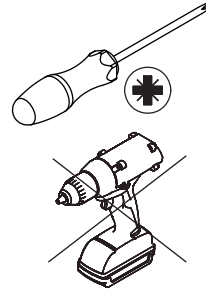
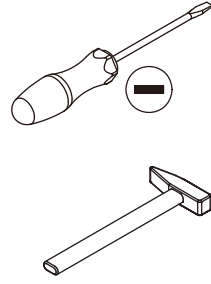
It is important that any product which is assembled using any kind of screw is re-tightened 2 weeks after assembly, and once every 3 months - in order to assure stability through-out the lifespan of the product.

For regular maintenance and cleaning of the product, for the frame, please use a rag dipped in neutral detergent to fully wipe it, and then dry it with a clean rag. For glass materials, wipe with a rag dampened with water glass cleaner, and then dry with a dry rag.

Do not use an electric screwdriver, and do not use too much force when installing, because the board is easy to break.

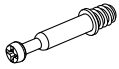


Please prepare the following tools



When installing, please carefully confirm whether each screw corresponds to the manual, accessories with similar shapes can be distinguished by size

A x 34 +3



Ø6x35mm

B x 34 +3



Ø14x9mm

C x 40 +4



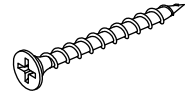
Ø6x30mm

D x 2 +1



Ø6x50mm

E x 24 +2



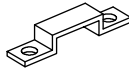
Ø4x35mm

F x 44 +4



Ø3x12mm

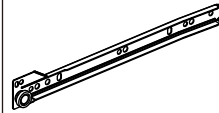
G x 10



H x 4 +1

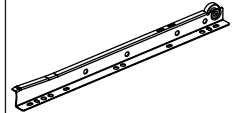


CL x 2



300mm

DL x 2



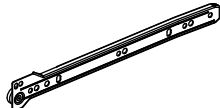
300mm

DR x 2



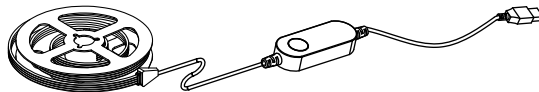
300mm

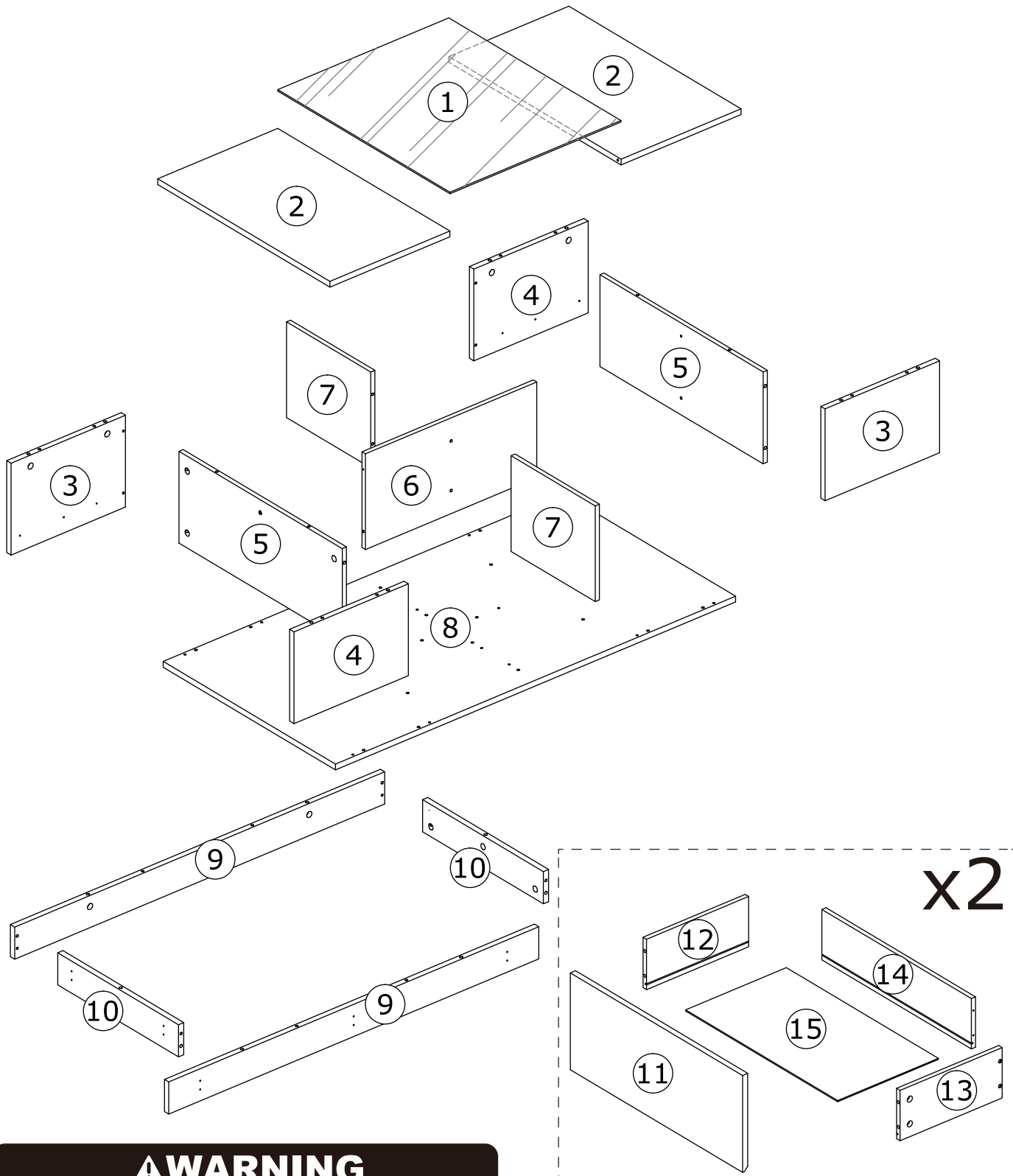
CR x 2



300mm

J x 1



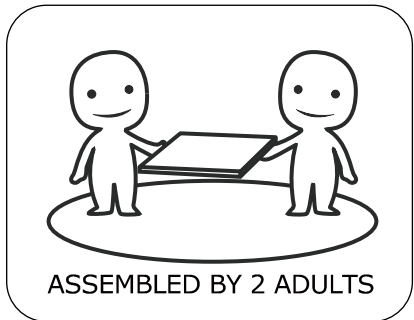


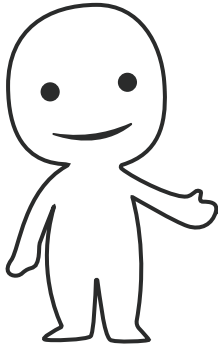
**⚠ WARNING**

**Children have died from furniture tipover. To reduce the risk of furniture tipover:**

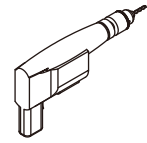
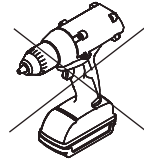
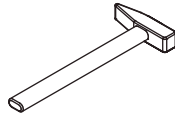
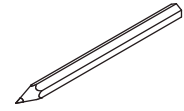
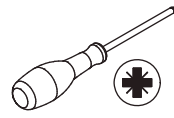
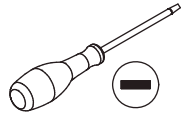
- ALWAYS install tipover restraint provided.
- NEVER put a TV on this product.
- NEVER allow children to stand, climb or hang on drawers, doors, or shelves.
- NEVER open more than one drawer at a time.
- Place heaviest items in the lowest drawers.

*This is a permanent label. Do not remove!*

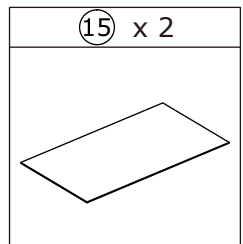
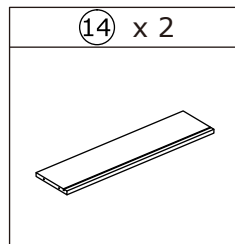
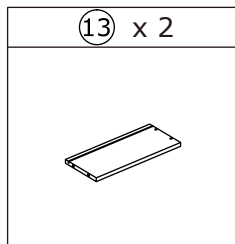
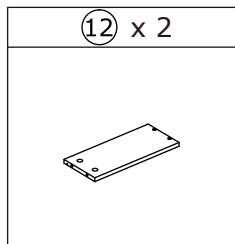
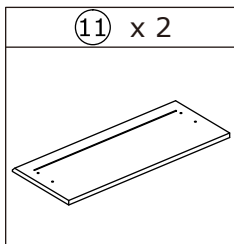
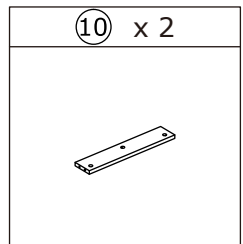
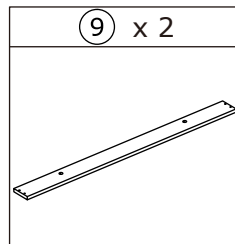
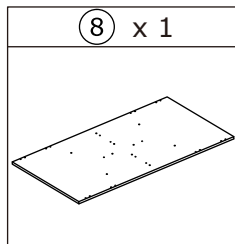
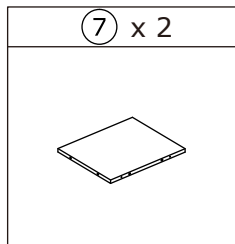
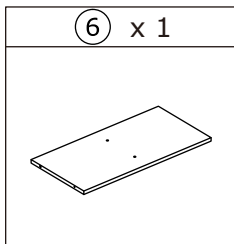
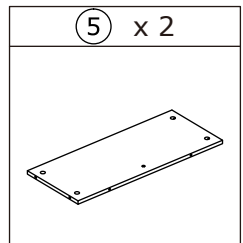
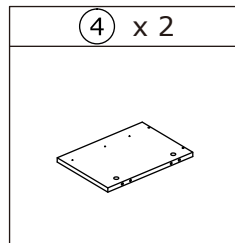
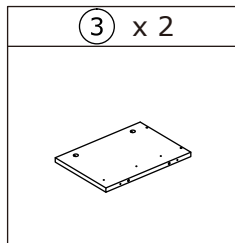
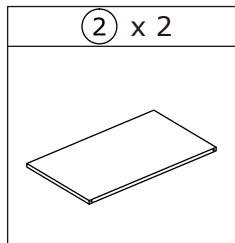
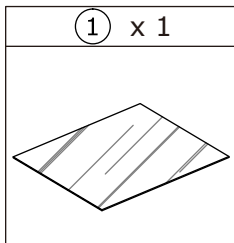





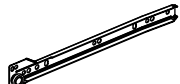

Please prepare the following tools

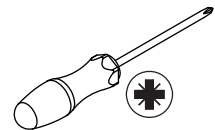


When installing, please carefully confirm whether each screw corresponds to the manual, accessories with similar shapes can be distinguished by size



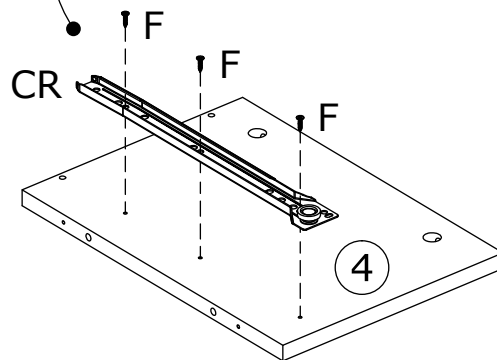
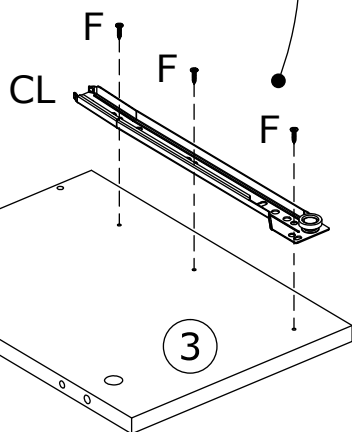
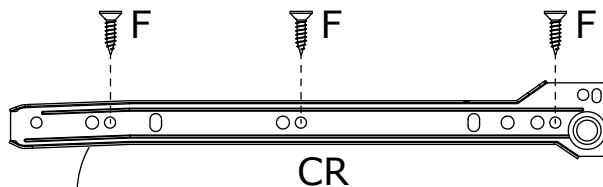
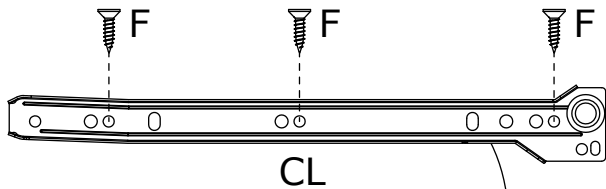
1

F x 12  Ø3x12mm	CL x 2  300mm	CR x 2  300mm
--	--	--

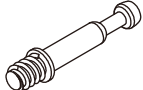


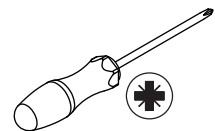
Fix slide rail(CL) and (CR) to plate 3 and 4 with screw(F) as shown.

x2

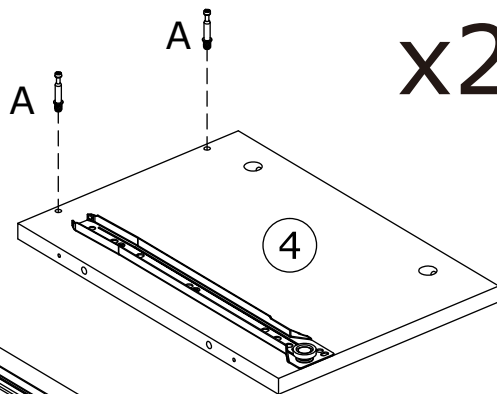
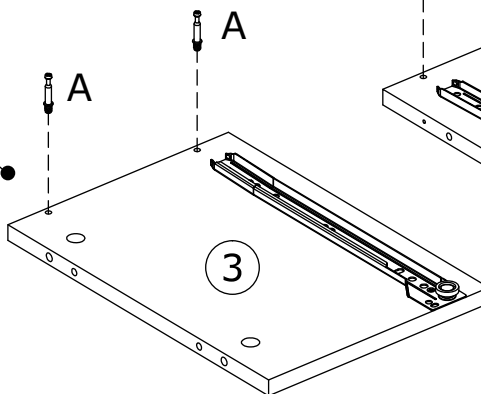
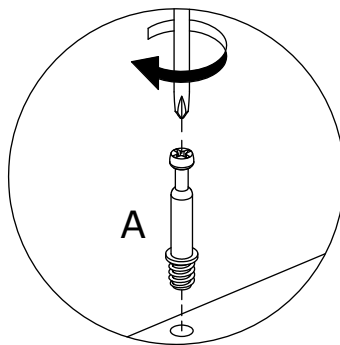
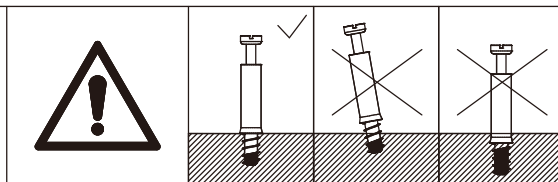


2

A x 8  Ø6x35mm
---

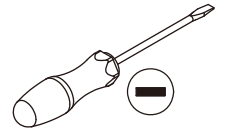
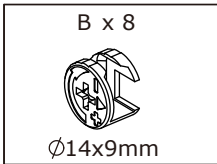


Insert quickfit screw(A) into plate 3 and 4 with a screwdriver as shown.

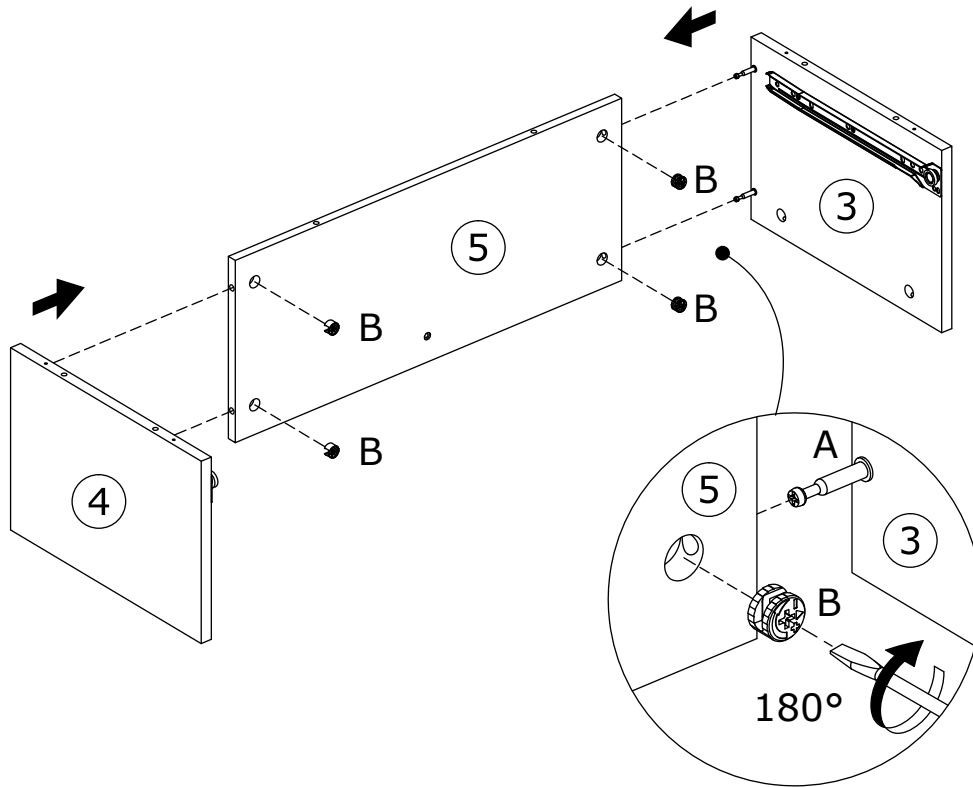
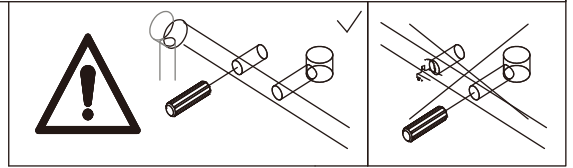


x2

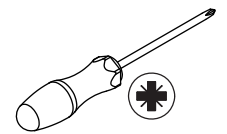
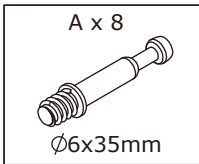
3



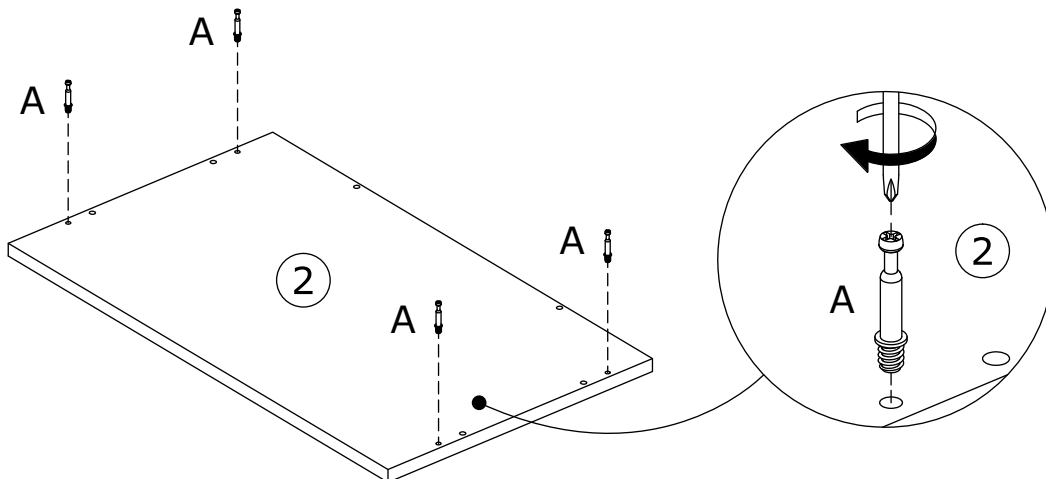
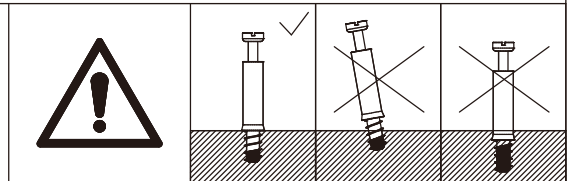
Attach plate 3 and 4 to plate 5, turn cam lock(B) in plate 5 clockwise to tighten as shown.



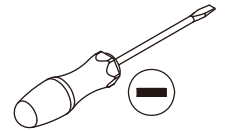
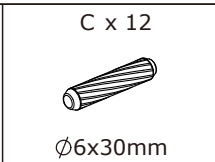
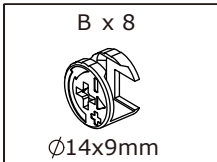
4



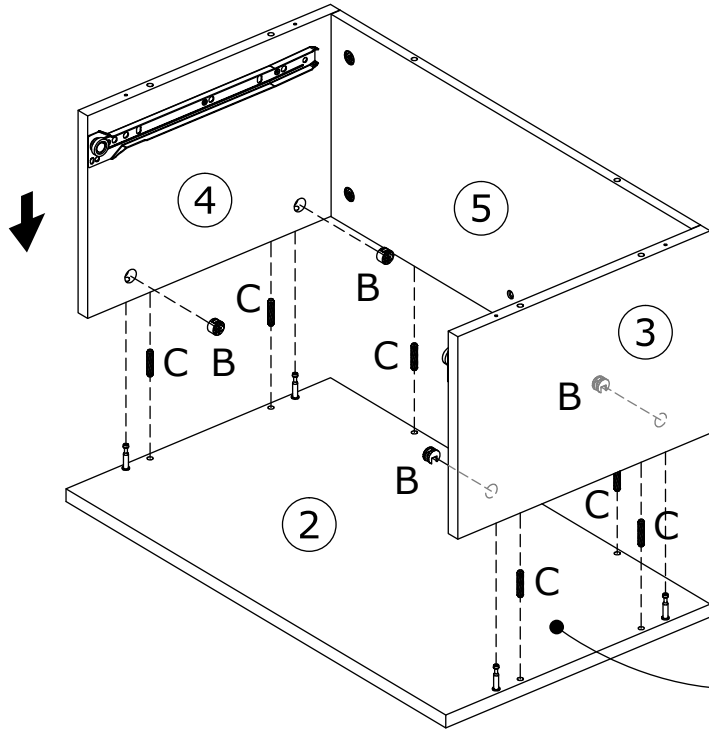
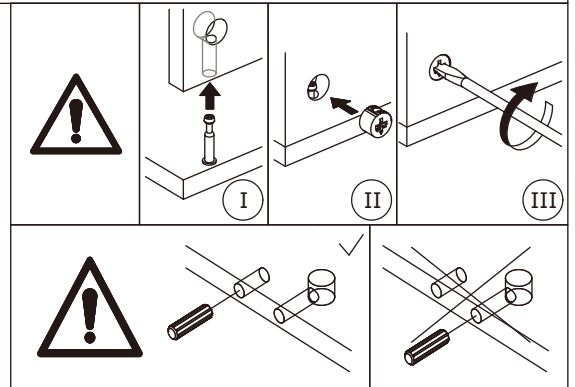
Insert quickfit screw(A) into plate 2 with a screwdriver as shown.



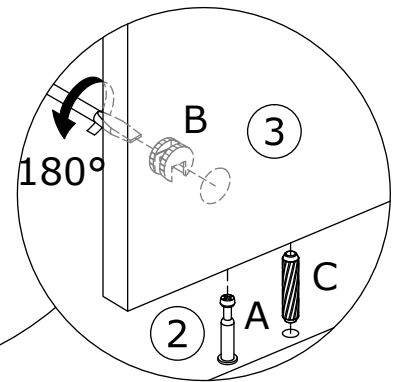
5



Insert wooden dowel(C) into plate 2 at first, then attach the component to. Put cam lock(B) into plate 3, 4 and turn clockwise to tighten as shown.



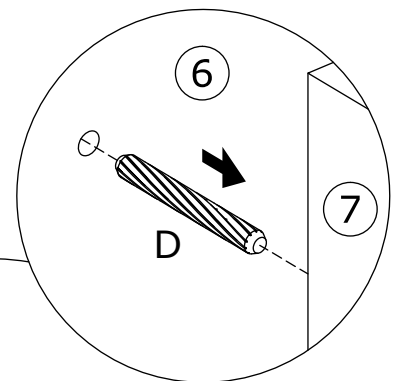
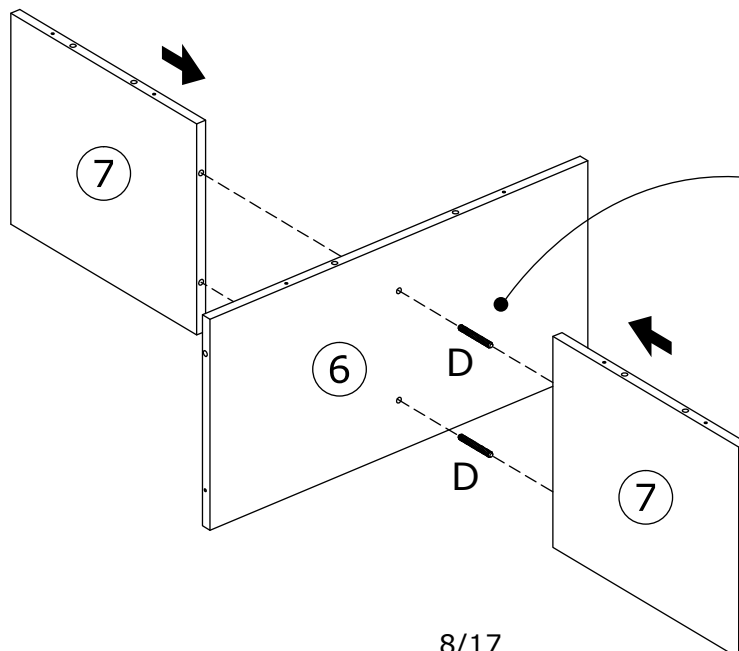
x2



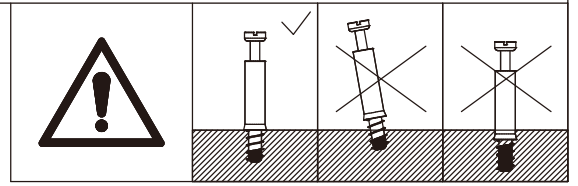
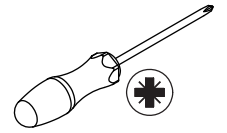
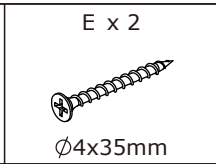
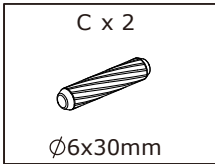
6



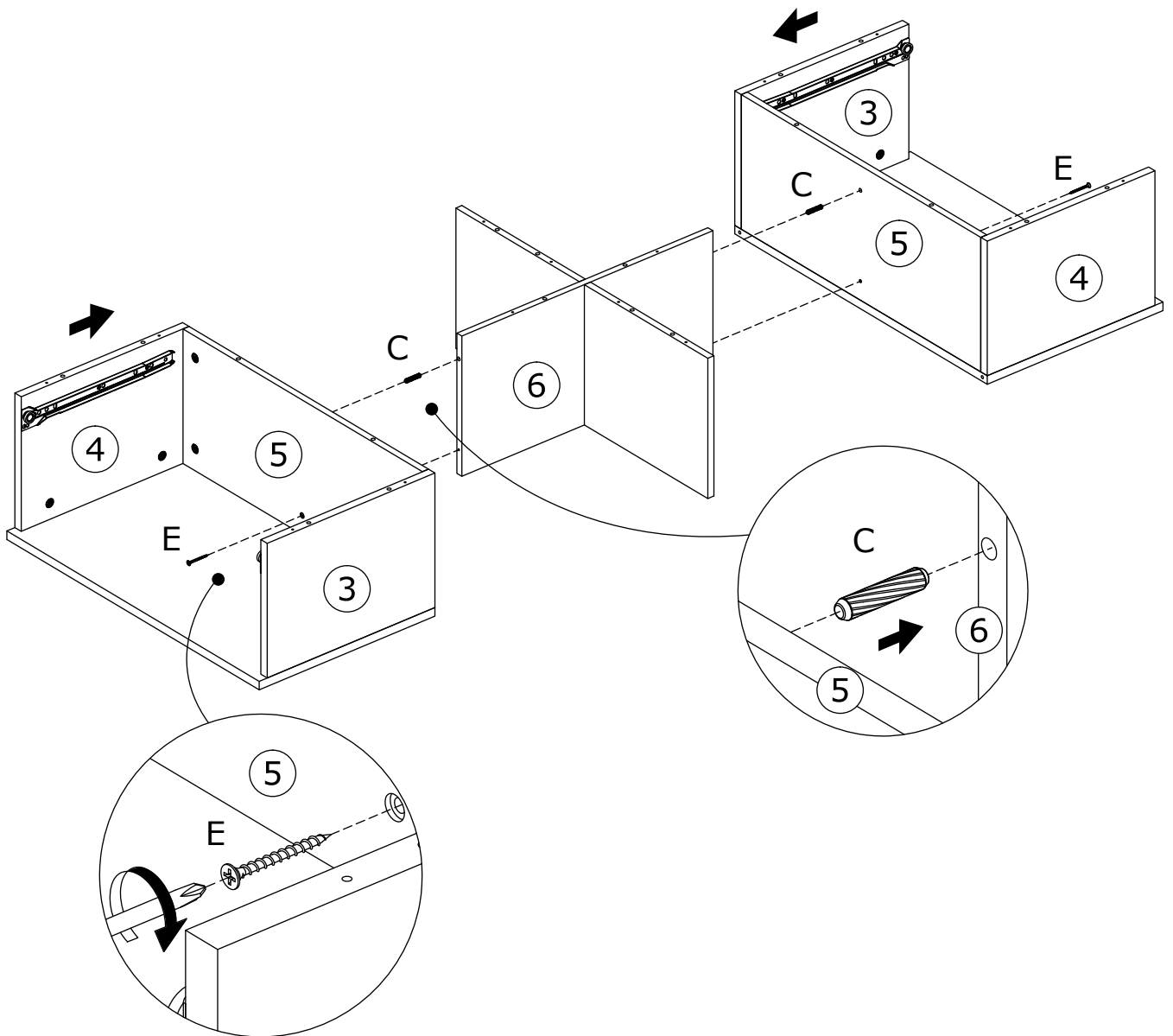
Connect plate 6 and 7 with long wooden dowel(D) as shown.



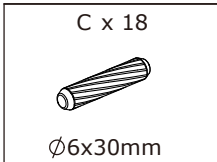
7



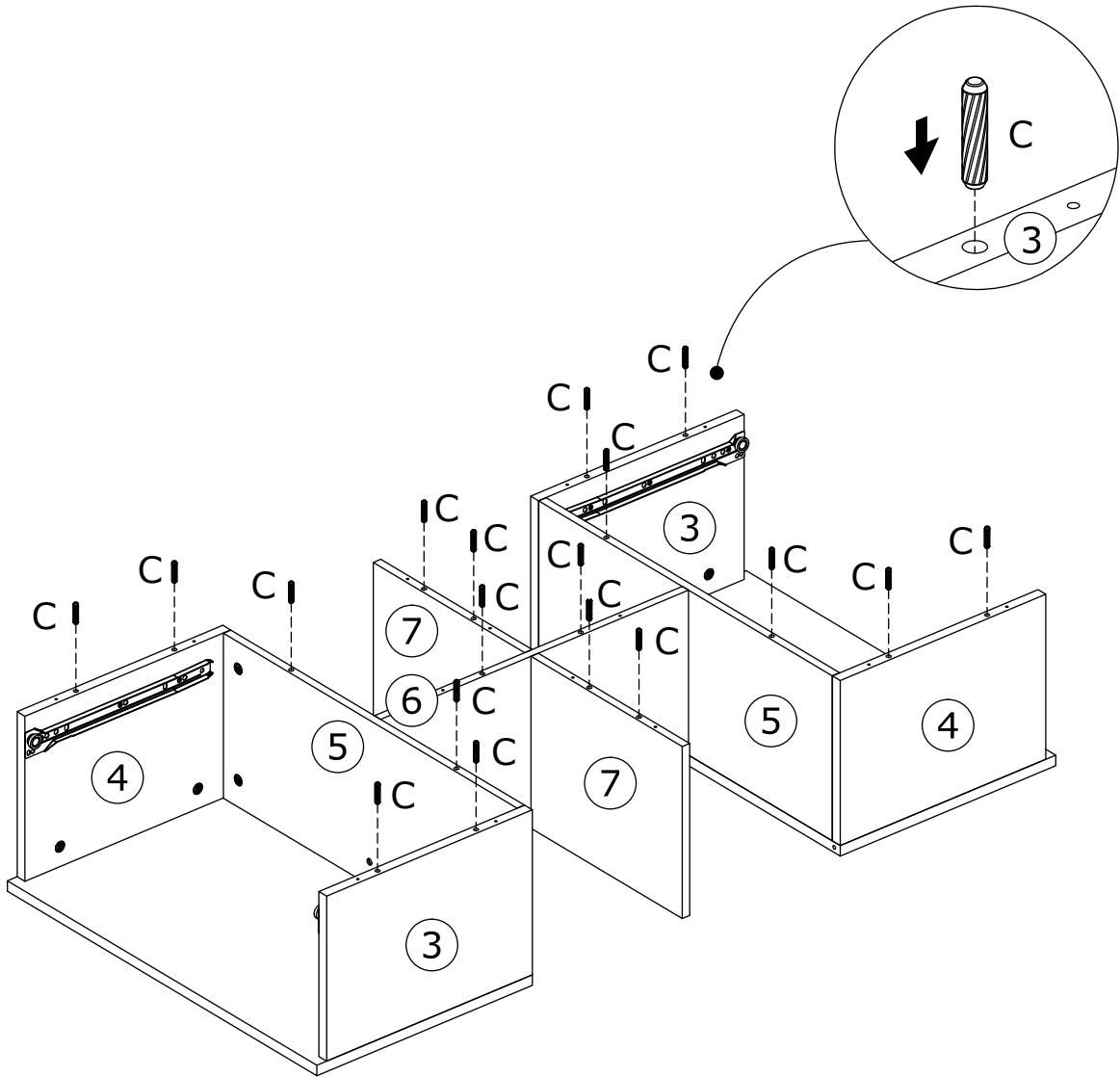
Insert wooden dowel(C) into plate 6 at first,  
then connect with the two components.  
Fix plate 5 to plate 6 with screw(E) as shown.



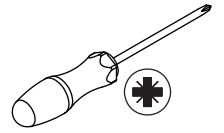
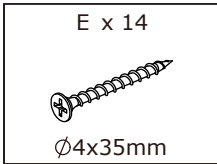
8



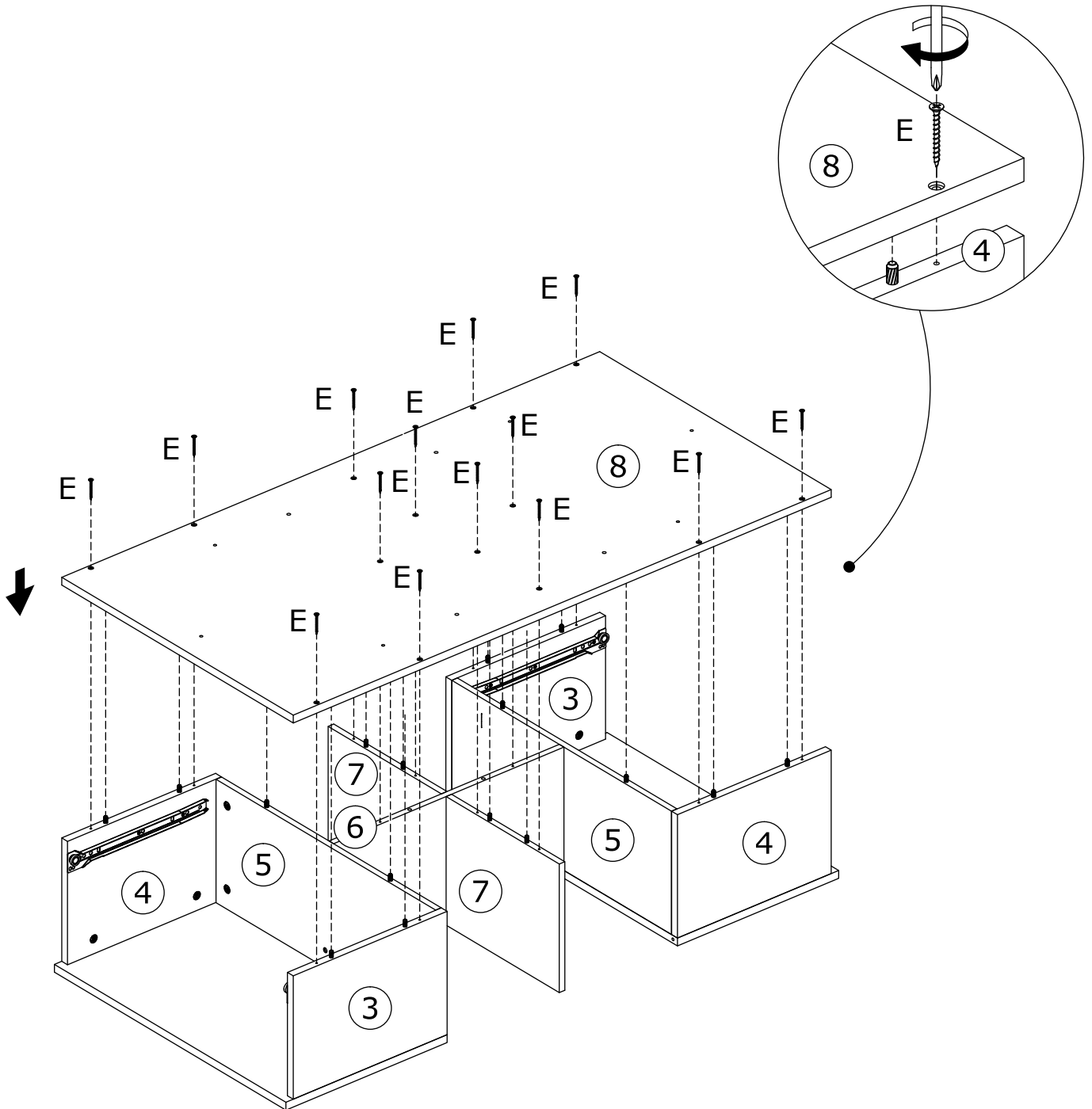
Insert wooden dowel(C) into plate 3, 4, 5, 6 and 7 at first.



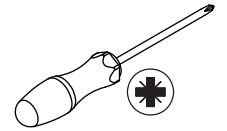
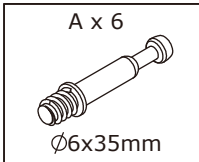
9



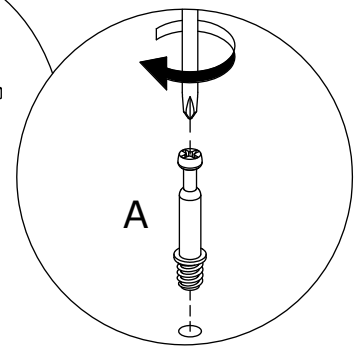
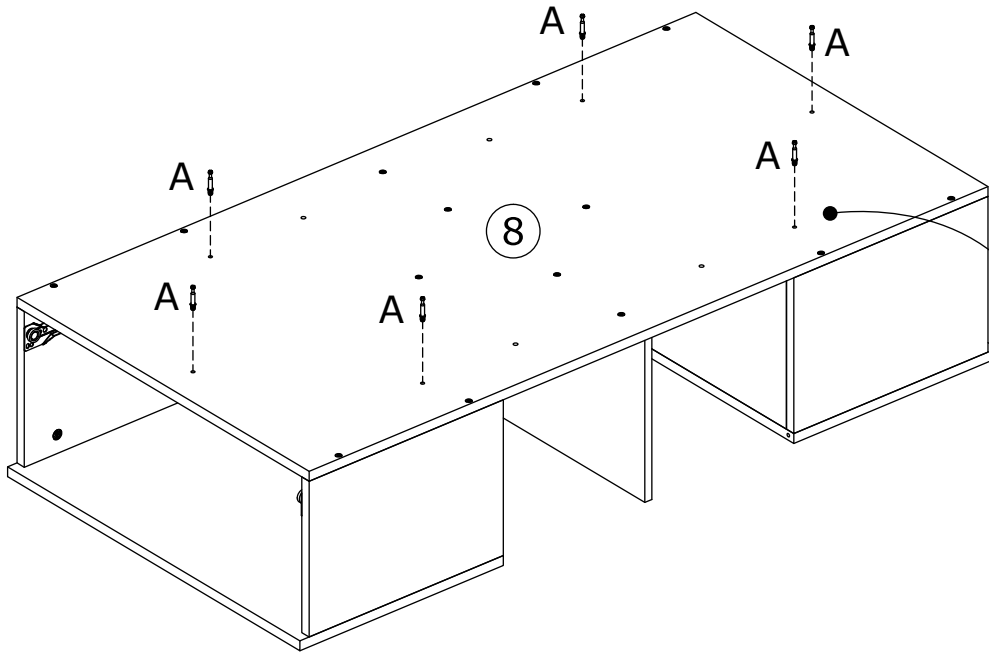
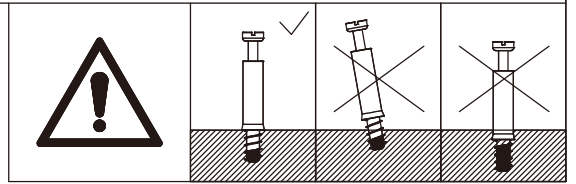
Cover plate 8, and fix with screw(E) as shown.



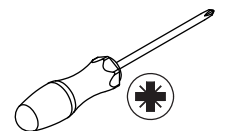
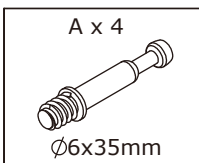
10



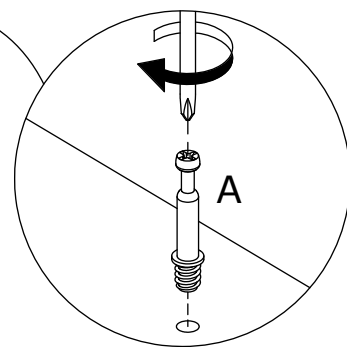
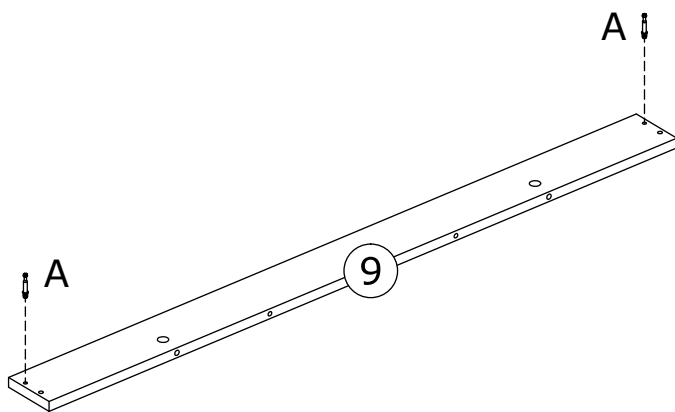
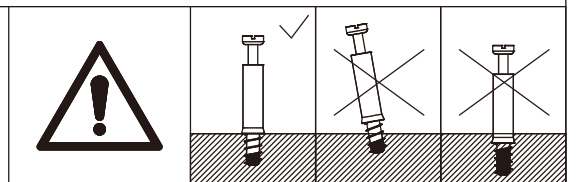
Insert quickfit screw(A) into plate 8 with a screwdriver as shown.



11

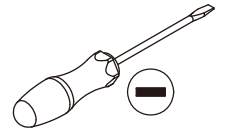
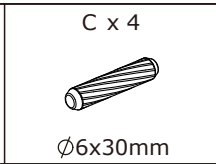
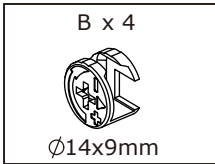


Insert quickfit screw(A) into plate 9 as shown.



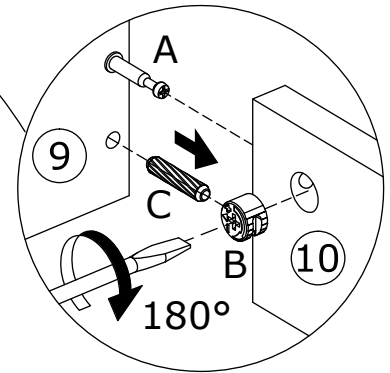
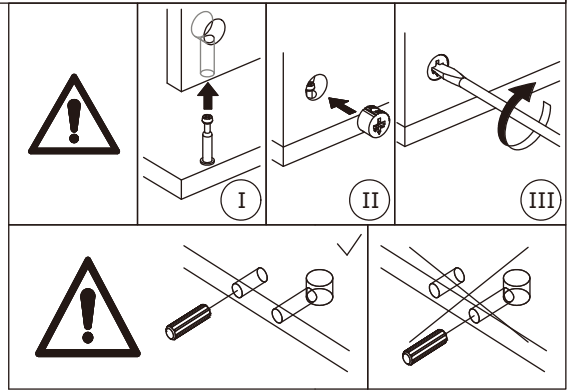
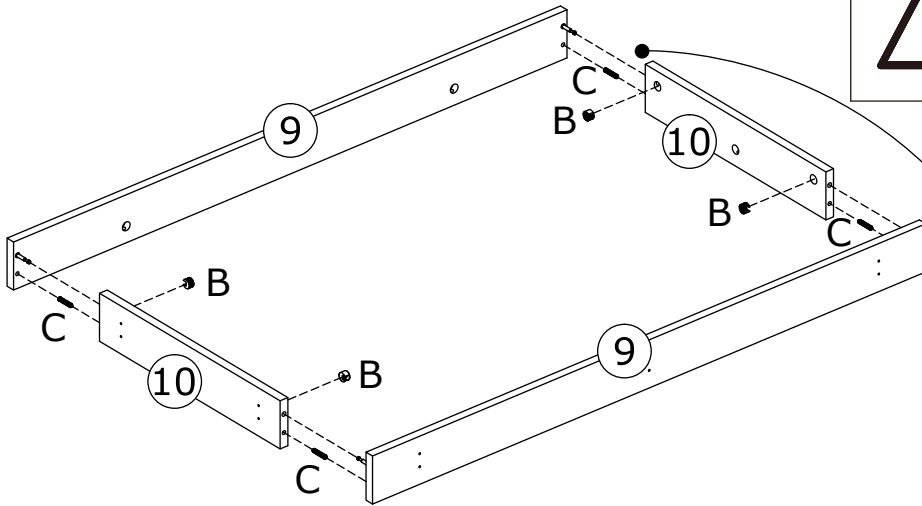
x2

# 12

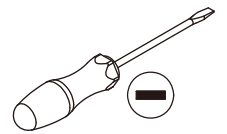
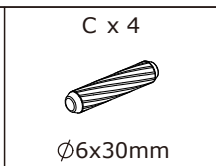
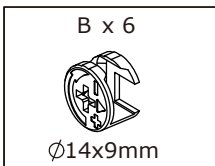


Insert wooden dowel(C) into plate 10 at first, then connect with plate 9.

Put cam lock(B) into plate 10 and turn clockwise to tighten as shown.

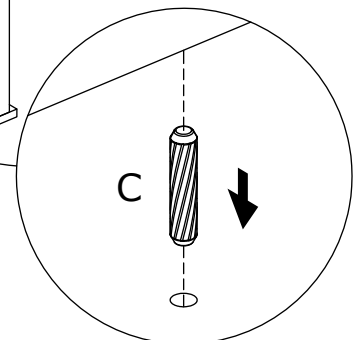
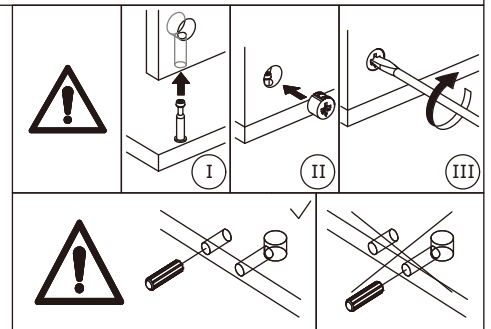
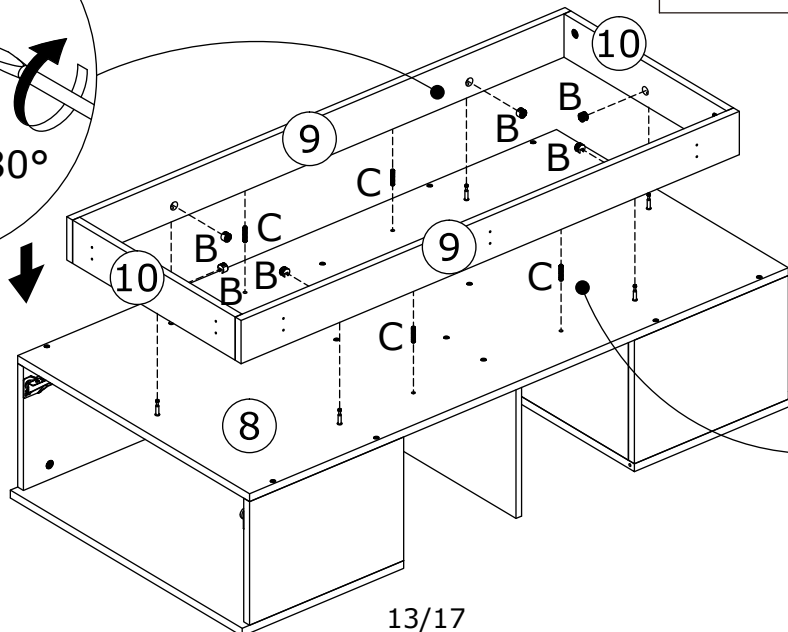
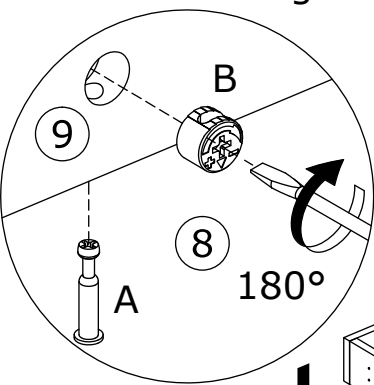


# 13


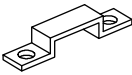

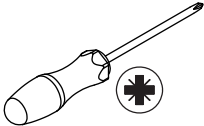


Insert wooden dowel(C) into plate 9 at first, then connect with plate 8.

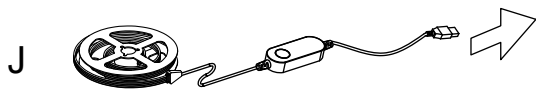
Put cam lock(B) into plate 9,10 and turn clockwise to tighten as shown.



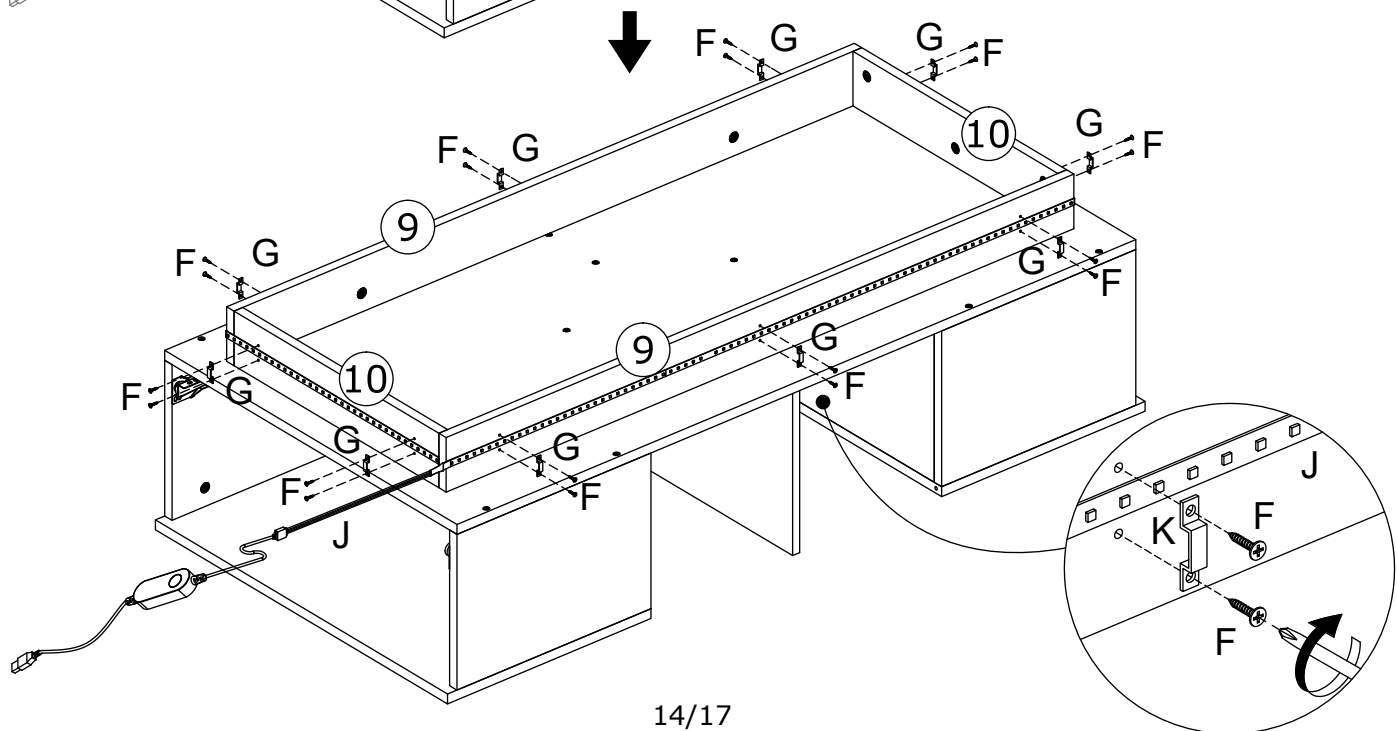
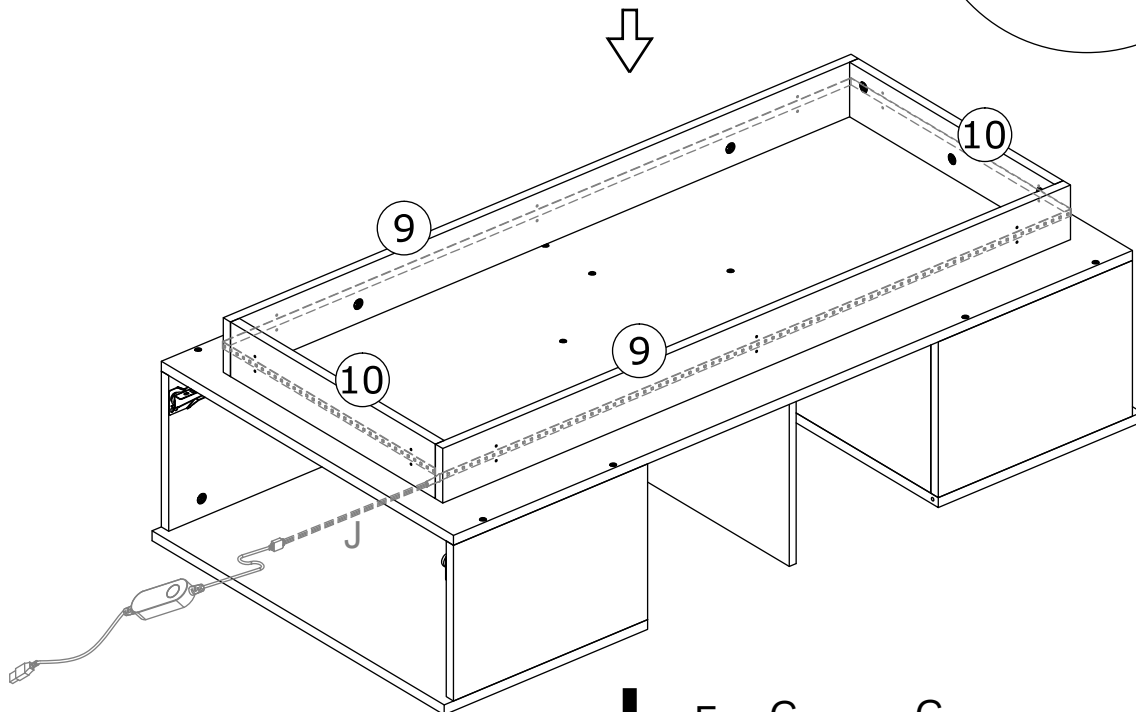
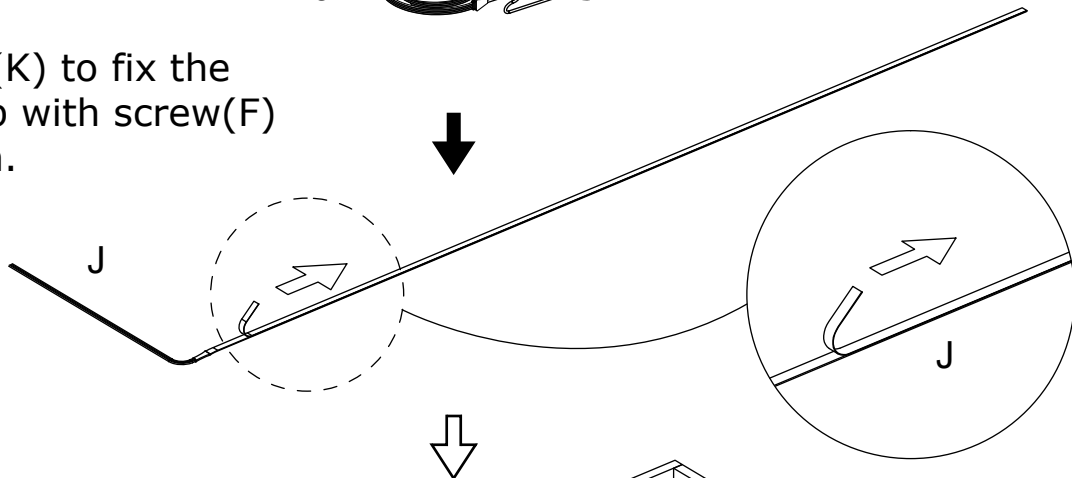
14

F x 20  Ø3x12mm	G x 10 	J x 1 	
--	---	--	---

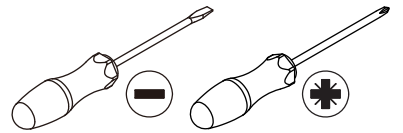
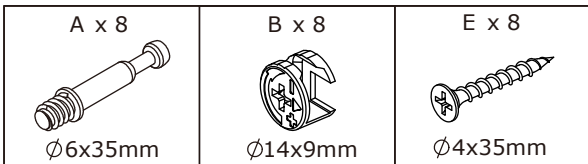
Stick the light strip(J).



Use part(K) to fix the light strip with screw(F) as shown.

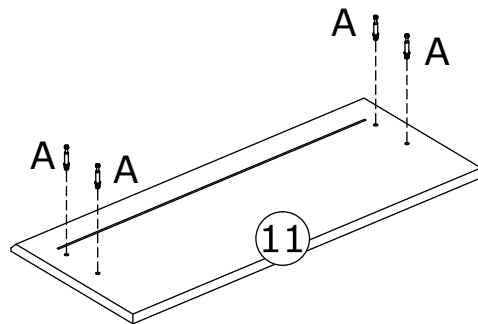
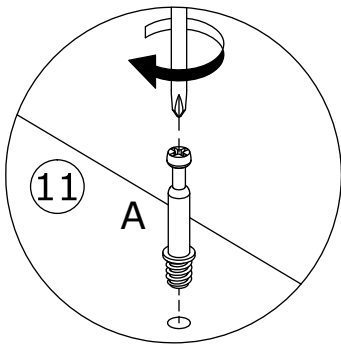
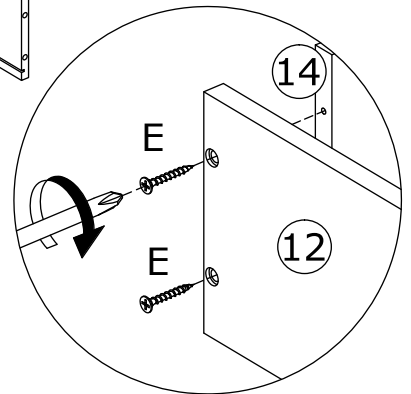
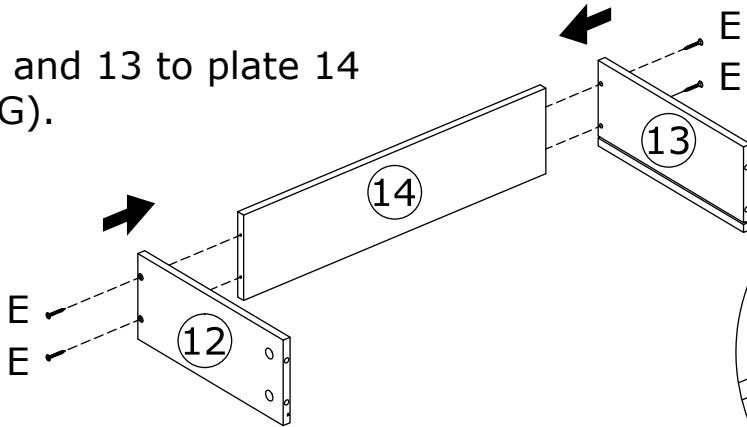


15



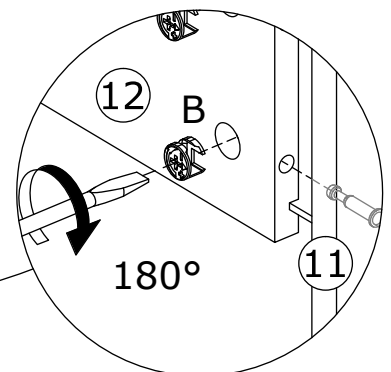
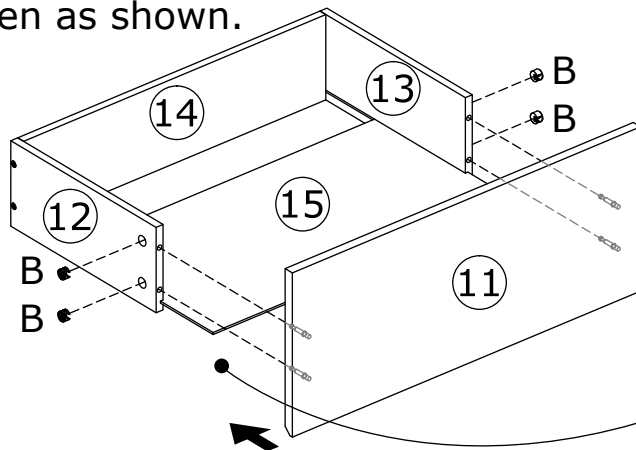
x2

Fix plate 12 and 13 to plate 14 with screw(E).


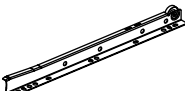

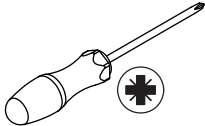


Insert quickfit screw(A) into plate 11.

Slide plate 15 along grooves. Attach plate 11 to plate 12 and 13, turn cam lock(B) clockwise to tighten as shown.

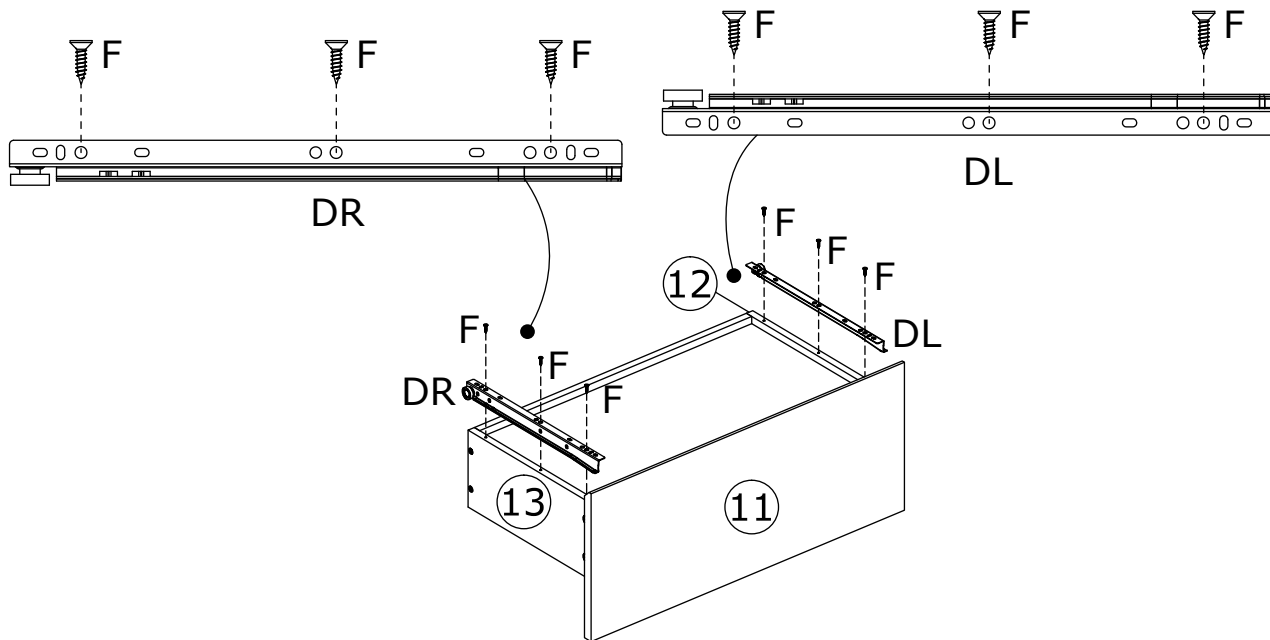


16

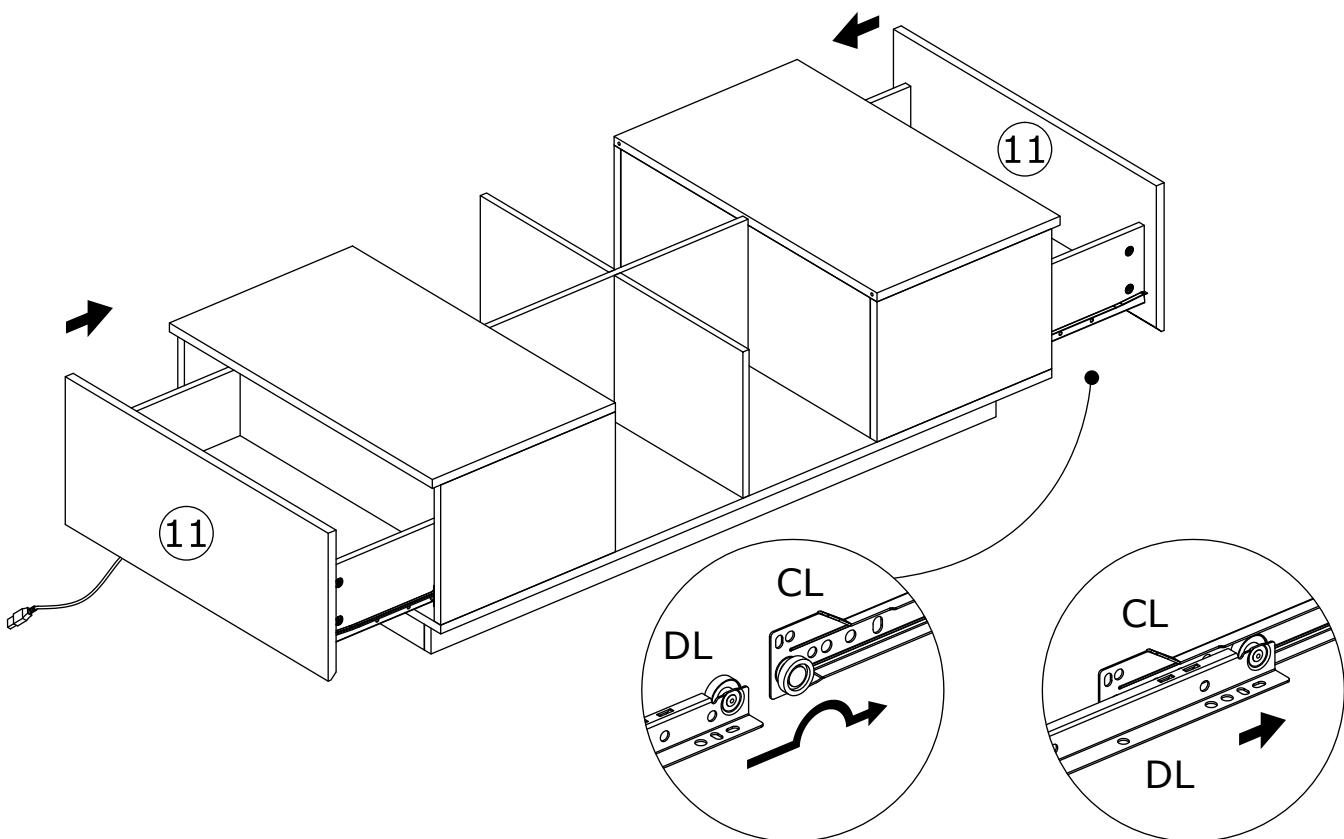
F x 12 Ø3x12mm 	DL x 2 300mm 	DR x 2 300mm 	
--	--	--	---

Fix runner(DL) and (DR) to plate 12 and 13 with screw(F) as shown.

x2



17

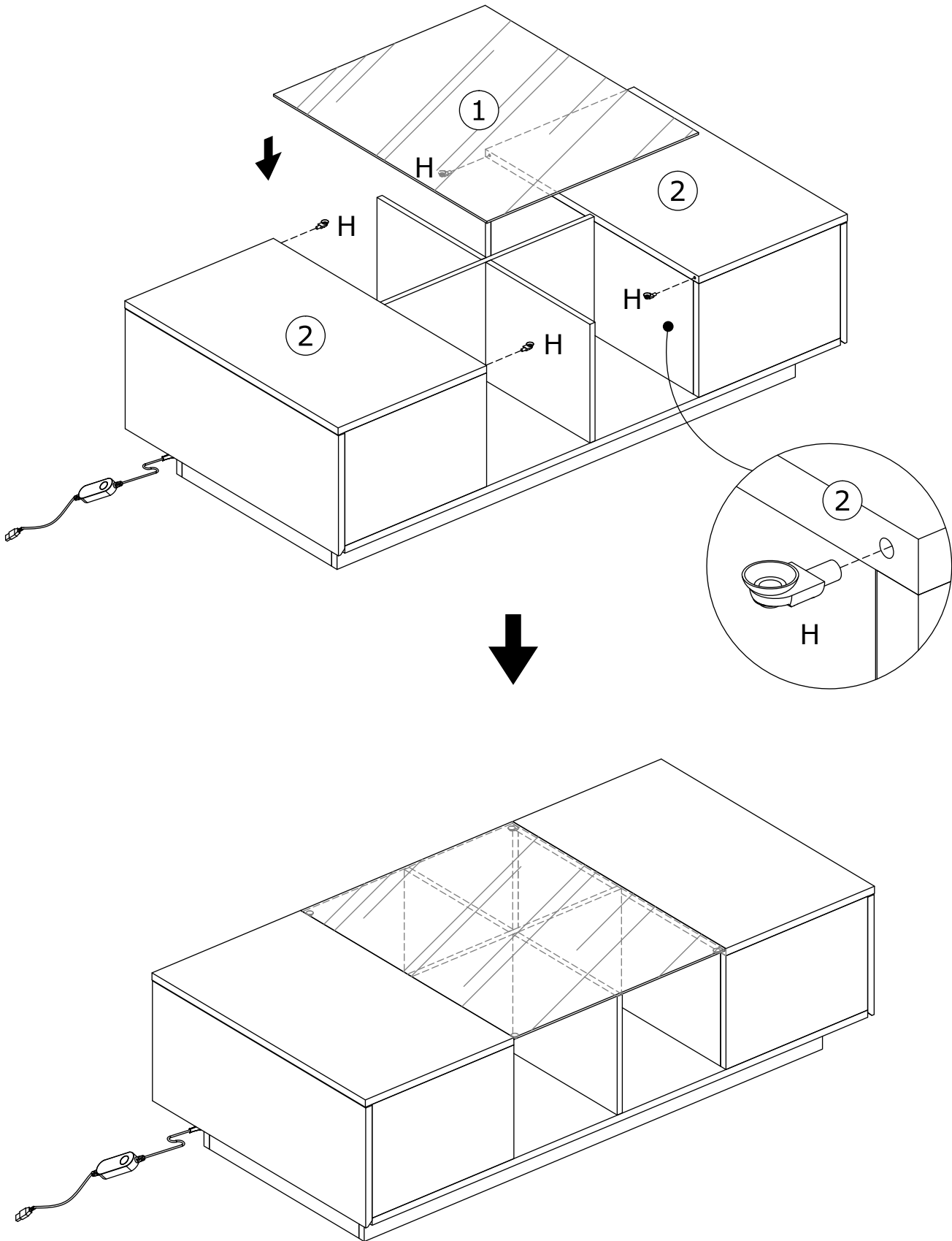


18

H x 4



Insert part(H) into plate 2,  
place glass panel 1.



# WARRANTY

## WARRANTY CLAIMS

- There is a 30-day warranty for broken furniture or any other problems that do not work properly. The warranty will start from the date of purchase which must be verified by proof of purchase.
- Before making a claim, we may be able to answer your query, simply call us. Please leave your purchase order number, along with some details of the problem, if you want a replacement part. We will arrange within 48 hours. If there is out of stock, we will reply with a shipping date.
- The product must be used in accordance with the instructions provided. For health reasons.
- For other reasons, if the furniture needs to be returned, it must be cleaned and dried and operated within 30 days of receipt.

## Type of Warranty Claim

- Failure to follow the furniture instructions will invalidate the warranty. Attention please.
- Does not include damage during installation, but includes damage during transportation.

## Scope of responsibility

- Shall not bear any responsibility for misuse or user damage and / or loss of parts during the installation of furniture.
- After using, the damage and scratches of the furniture are not covered by the warranty.

## The Warranty Relates to All Bought in The Us and Covers The Following Areas

- Sheet parts: 1 month from the date of purchase.
- Electrical parts: 1 month from the date of purchase.