

# Installation and Care Guide

## Bath with Heated Surface

**Product Serial Number:**  
**Numéro de série du produit:**  
**Número de serie del producto:** \_\_\_\_\_  
Français, page "Français-1"  
Español, página "Español-1"

THE BOLD LOOK  
OF **KOHLER**®

# Installation Instructions



**WARNING:** When using electrical products, basic precautions should always be followed, including the following:



**WARNING: Risk of electric shock.** Connect only to a circuit protected by a Ground-Fault Circuit-Interrupter (GFCI)\*.



**WARNING: Risk of electric shock.** A qualified electrician should route all electrical wiring.



**WARNING: Risk of electric shock.** Disconnect power before servicing.



**WARNING: Risk of property damage.** Building materials and wiring should be routed away from the heat-producing components of the bath.



**WARNING: Risk of injury or property damage.** Please read all instructions thoroughly before beginning installation, including the following requirements.

**NOTICE: Follow all plumbing, electrical, and building codes.** In Canada, install this unit in accordance with the Canadian Electrical Code, Part 1.

**NOTICE: Grounding is required.** The unit should be installed and grounded by a qualified service representative.

**NOTICE:** Provide service access to the power supply and heater components.

**NOTICE:** If the supply cord is damaged, it must be replaced by the manufacturer, its service agent, or similarly qualified agent in order to avoid a hazard.

\*Outside North America, this device may be known as a Residual Current Device (RCD).

## Product Identification

Model # K-\_\_\_\_\_

Please record the model number, copied from the label on the box.

## Product Information

### Electrical Requirements



**WARNING: Risk of burns, fire, electric shock, or injury.** Do not operate the heater if the power supply cord is damaged. For proper guidance to have this product repaired, please call: 1-800-4KOHLER from within the USA or Canada, or 001-800-456-4537 from within Mexico.

This installation must have a Class A Ground-Fault Circuit-Interrupter (GFCI)\*. The GFCI protects against line-to-ground shock hazard. **Use a 120 V, 15 A, 60 Hz service for the bath.**

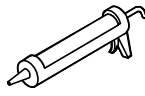
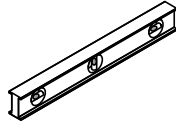
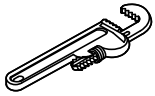
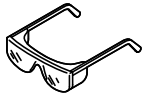
**For Wireless Music Kit:** The kit requires installation of an electrical outlet within close proximity to the amplifier location. Refer to the music kit installation instructions.

\*Outside North America, this device may be known as a Residual Current Device (RCD).

### Factory-Assembled Features

Factory installed components include heated surface with power supply cord, user keypad, and keypad cable. Other than power wiring and plumbing, no assembly is needed.

## Tools and Materials



### Plus:

- Conventional Woodworking Tools and Materials
- Drop Cloth
- Construction Adhesive (Optional)
- Cement\* or Mortar (Optional)
- 2x4s
- Plastic Film (Optional)
- 1/8" (3 mm) Spacers

\* Do not use gypsum cement.

100% Silicone Sealant

## Before You Begin

**NOTICE:** Adequate floor support must be provided. Note the **model number** located on the heater side of the bath, then visit the product page at [kohler.com](http://kohler.com) for additional information.

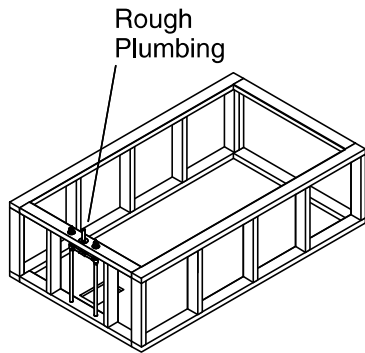
**NOTICE:** Do not support the load weight of the bath by the rim. Shim under the bath as needed when leveling the bath.

**NOTICE:** Before installing a rim-mount bath faucet, refer to the specification sheet on the bath product page at [kohler.com](http://kohler.com).

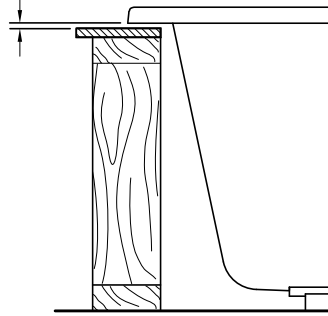
**NOTICE:** Provide adequate backer board support for a rim-mount faucet; large faucets that may be inadvertently used as a means of support are not safe for this installation.

- Unpack and inspect the bath and components for damage. Return the bath and components to the carton until installation.
- When planning the installation area, provide access to all final plumbing connections for servicing.
- For under-mount installations, an under-mount kit is required.
- If installing a rim-mount faucet, make sure there is no interference above or below the rim before drilling any holes.

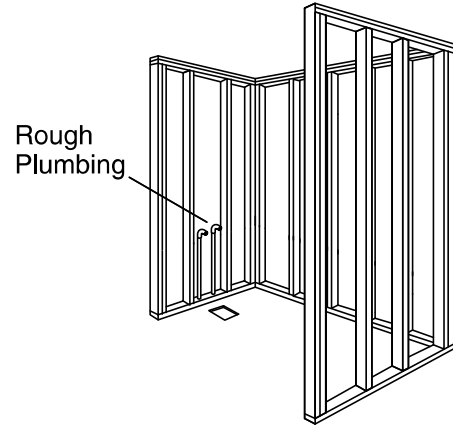
### Drop-In Models



Provide a maximum 1/8" (3 mm) gap under the rim.



### Flanged Models



## 1. Prepare the Site

**NOTICE:** Measure your product for site preparation. Note the **model number** located on the heater side of the bath, then visit the product page at [kohler.com](http://kohler.com) for additional information.

**NOTICE:** Do not support the weight of the bath by the rim. Plan to shim under the bath as needed when leveling the bath.

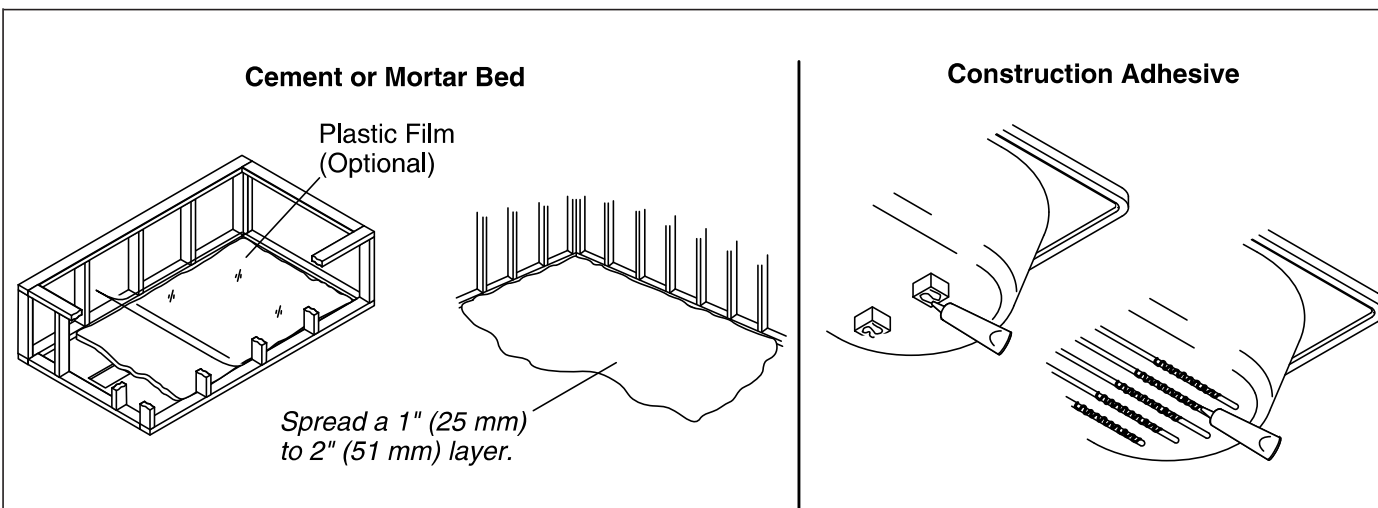
### Framing

- Make sure that the floor offers adequate support for your bath, and verify that the subfloor is flat and level.
- **For drop-in models:** The bath is designed for drop-in or raised deck installations. If a deck-mount faucet will be installed, plan a space on the deck to accommodate the faucet.
- **For flanged models:** The bath is designed for alcove installation. Take into account the thickness of the finished wall materials when constructing the framing.
- Construct 2x4 or 2x6 stud framing.
- Provide a maximum 1/8" (3 mm) gap between the bath rim and the framing to ensure that the bath is not supported by the rim. Take into account the thickness of the finished deck material.
- Install an access panel for future servicing of the power supply or heater components.
- **For drop-in installations against a wall:** Install a tiling-in bead to prevent water from seeping behind the wall. Follow the instructions included with the tiling-in bead.

### Plumbing

**NOTE:** For **through-the-floor drain installations:** Cut a drain hole to accommodate the drain connections.

- Install the rough plumbing.
- Install the drain to the bath according to the drain manufacturer's instructions.
- Place a clean drop cloth in the bottom of the bath to protect the finish during the installation process.



## 2. Install the Bath

**IMPORTANT!** Use maximum 1/8" (3 mm) thick spacers under the bath rim to ensure that the rim does not contact the deck.

**NOTE:** Some models are equipped with support feet; some models have molded supports.

- Choose the installation method that best applies to your particular installation. Follow the appropriate instructions.

### Option 1: Cement or Mortar Bed

**NOTICE:** Do not use gypsum cement or drywall compound, as these materials will not provide a durable bond.

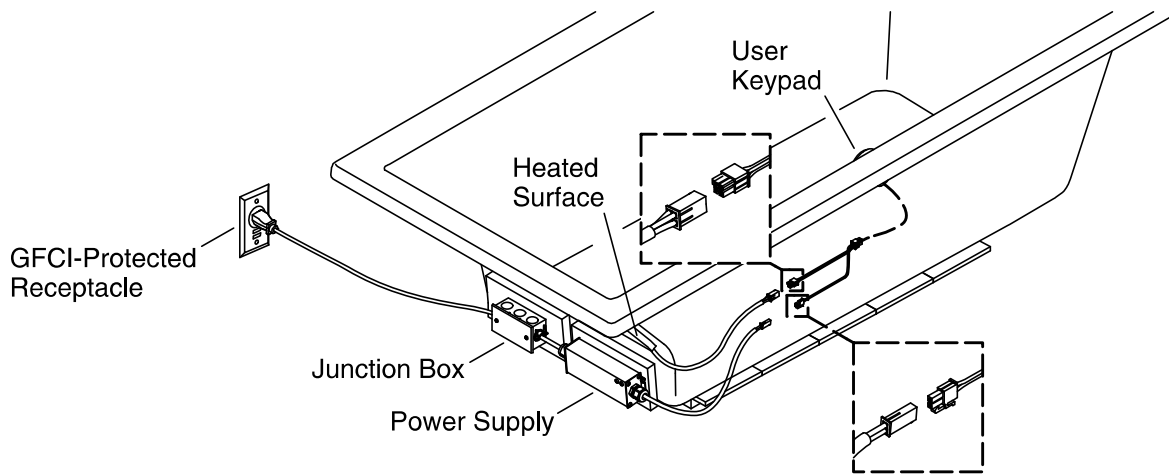
- Lay plastic film on a wooden subfloor if desired to prevent water absorption.
- Spread a 1" (25 mm) to 2" (51 mm) layer of cement or mortar on the subfloor.
- With help, carefully lift the bath into place in the bed material.
- Fit maximum 1/8" (3 mm) spacers under the bath rim so the rim does not contact the deck.
- Verify that the bath is level. Reposition or shim as needed.
- Apply weight to the bottom of the bath until the cement or mortar sets.

### Option 2: Construction Adhesive

- Apply a generous amount of high-quality construction adhesive to the bottom of the support feet or molded supports.
- With help, carefully lift the bath into position.
- Fit maximum 1/8" (3 mm) spacers under the bath rim so the rim does not contact the deck.
- Verify that the bath is level and resting on all supports. Reposition or shim as needed.
- Apply weight to the bottom of the bath until the adhesive sets.

### Install the Plumbing

- Connect the drain tailpiece to the trapway.
- Install the faucet valve.
- Check the drain connections for leaks.

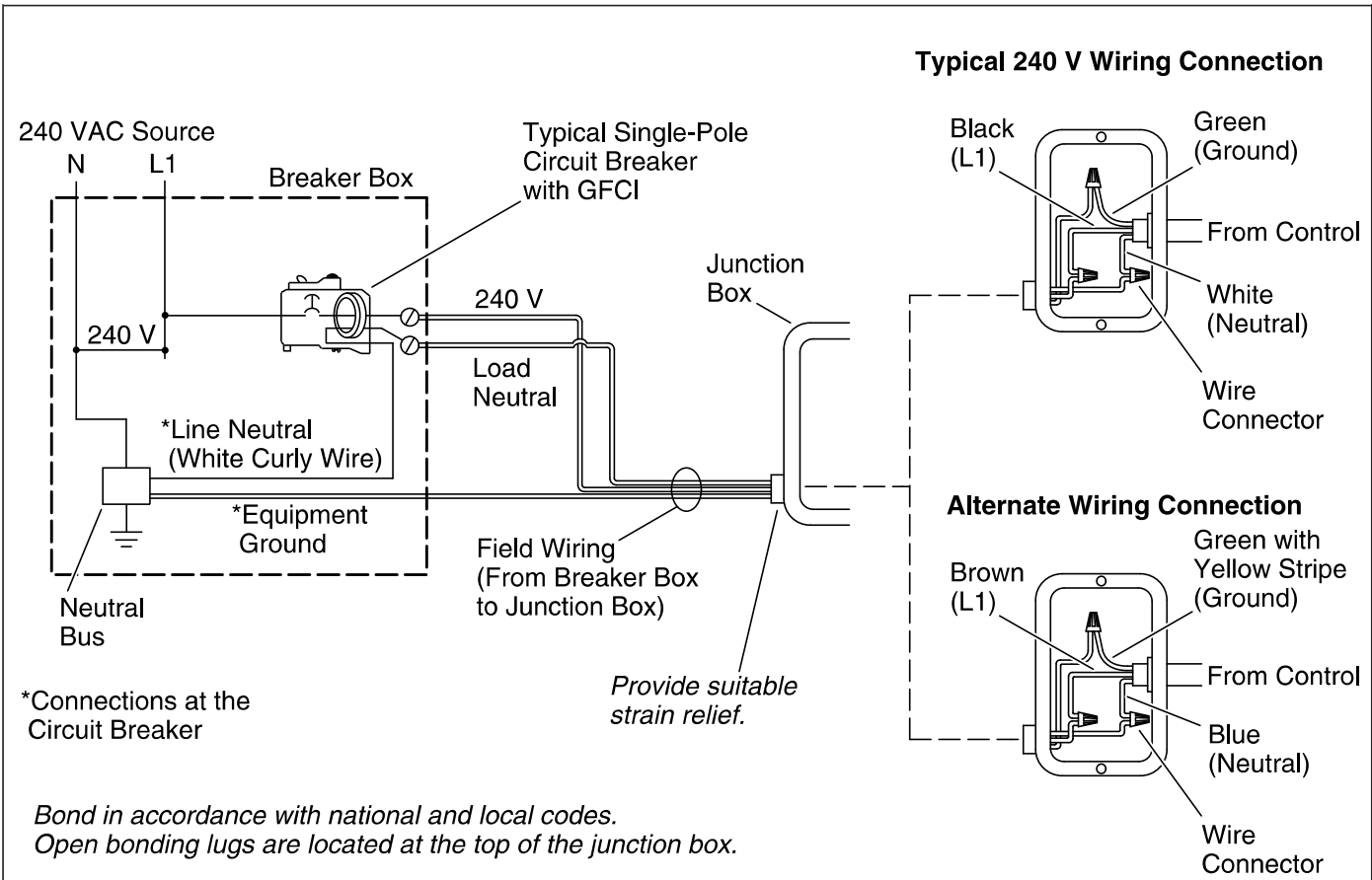


### 3. Install Electrical Outlet – 120 V



**WARNING: Risk of electric shock.** Connect the power supply to a properly grounded, grounding-type receptacle protected by a Ground-Fault Circuit-Interrupter (GFCI) or Residual Current Device (RCD). Do not remove the plug grounding pin. Do not use a grounding adapter.

- Your bath with heated surface is equipped with a cord and plug. The power supply has been wired at the factory. A qualified electrician must install a GFCI-protected, 120 V, 15 A, grounded outlet. Locate the outlet behind the bath and within 24" (610 mm) of the power supply.
- **For Wireless Music Kit:** The kit requires installation of an electrical outlet within close proximity to the amplifier location. Refer to the music kit installation instructions.
- Plug the power cord into this outlet.



#### 4. Make Electrical Connections – 240 V

**NOTE:** The electrical rating of the product is printed on a label on the lumbar end of the bath. **The bath with heated surface is designed to operate between 110 V and 240 V at either 50 Hz or 60 Hz.**



**WARNING: Risk of electric shock.** Disconnect the power before performing the following procedures.

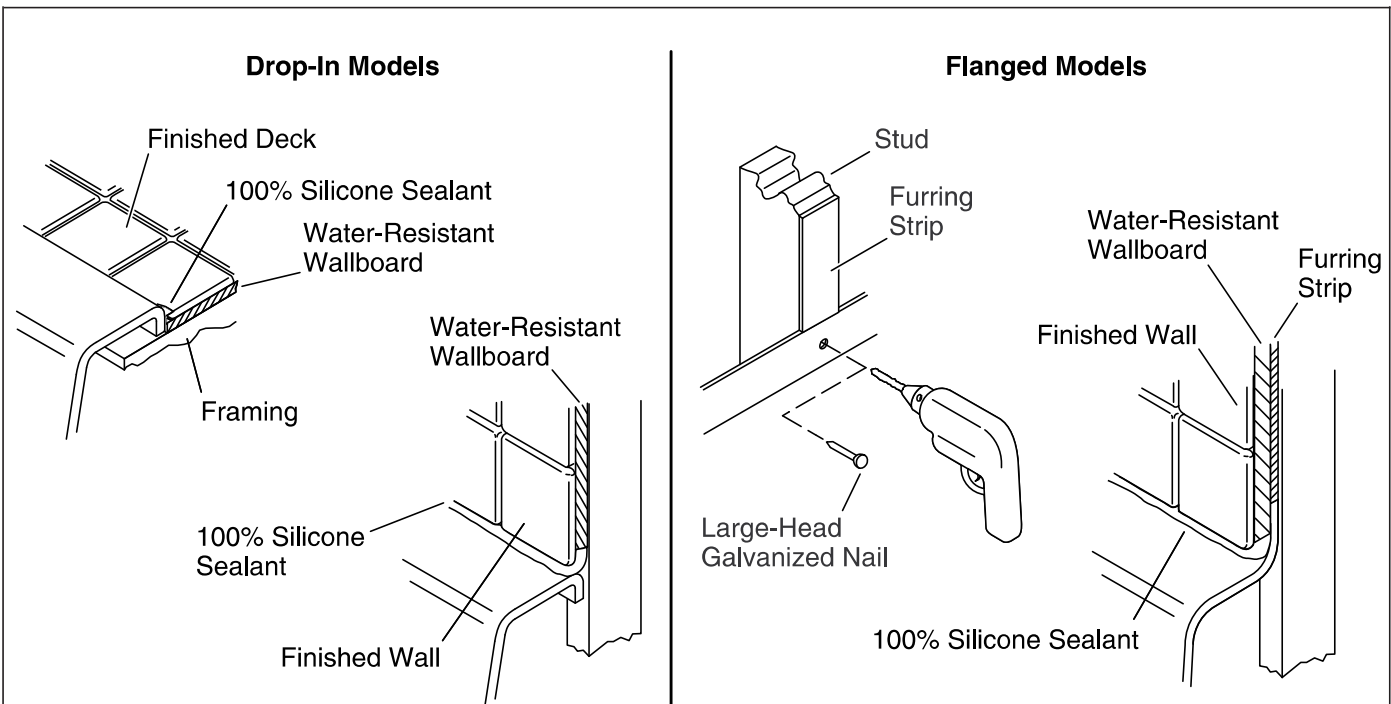


**WARNING: Risk of electric shock.** Connect the bath to a properly grounded Ground-Fault Circuit-Interrupter (GFCI) or Residual Current Device (RCD) for protection against line-to-ground shock hazard.

**IMPORTANT!** The white wire should be connected to the load neutral terminal on the GFCI or RCD breaker. The green wire is the **equipment ground** and must be connected to the neutral bus in the main circuit breaker box.

**IMPORTANT!** Some equipment and installations vary. Reference "Alternate Wiring Connection" as shown for details.

- Follow local electrical codes. Bond in accordance with local codes.
- Remove the 120 V plug from the electrical cord on the junction box mounted to the control board.
- Connect service to the junction box with a 240 V plug (not included) or hardwire connection.
- **For Wireless Music Kit:** The kit requires installation of an electrical outlet within close proximity to the amplifier location. Refer to the music kit installation instructions.



## 5. Complete the Installation

**IMPORTANT!** Kohler Co. strongly recommends the use of 100% silicone sealant as instructed in this installation guide. Other sealants may shrink, separate, and peel over time.

### Test Run the Bath

- Check all electrical connections and make sure the electrical power to the bath is on.
- Operate the user keypad to test the temperature settings.
- For additional information on bath operation, refer to the "Operating Instructions" section.

### Drop-In Models:

- If applicable, carefully remove the protective tape from the bath rim.
- Apply a bead of 100% silicone sealant around the entire rim of the bath.
- Install water-resistant wallboard to the stud framing.
- Apply a minimum 1/8" (3 mm) bead of 100% silicone sealant to seal all areas where the bath and wallboard meet.

### Flanged Models:

- Drill a small pilot hole through the nailing-in flange at each stud. Add shims to eliminate any gaps.
- Nail 1/4" (6 mm) thick furring strips to the studs.
- Use large-head galvanized nails to secure the nailing-in flange to the studs.
- Install water-resistant wallboard, leaving a 1/8" (3 mm) gap between the bath edge and the wallboard.

### All Models

- Install the finished deck/wall material 1/8" (3 mm) away from the bath edge to create a groove for the 100% silicone sealant.
- Apply a minimum 1/8" (3 mm) bead of 100% silicone sealant in the groove between the bath edge and the finished deck/wall.

## Complete the Installation (cont.)

- Install the faucet trim.

# Operating Instructions

## IMPORTANT SAFETY INSTRUCTIONS

### READ AND FOLLOW ALL INSTRUCTIONS

### SAVE THESE INSTRUCTIONS

#### INSTRUCTIONS PERTAINING TO A RISK OF FIRE, ELECTRIC SHOCK, OR INJURY TO PERSONS



**WARNING:** When using electrical products, basic precautions should always be followed, including the following:



**DANGER: Risk of accidental injury or drowning.** To reduce the risk of injury, do not permit children to use this unit unless they are closely supervised at all times.



**WARNING: Risk of personal injury.** To avoid injury, exercise care when entering or exiting the bath.



**WARNING: Risk of electric shock.** Do not permit electric appliances (such as a hair dryer, lamp, telephone, radio, or television) within 5' (1.5 m) of this bath.



**WARNING: The use of alcohol, drugs, or medication can greatly increase the risk of fatal hyperthermia.** Prolonged immersion in hot water may induce hyperthermia. Hyperthermia occurs when the internal temperature of the body reaches a level several degrees above the normal body temperature of 98.6°F (37°C). The symptoms of hyperthermia include an increase in the internal temperature of the body, dizziness, lethargy, drowsiness, and fainting. The effects of hyperthermia include: (a) failure to perceive heat, (b) failure to recognize the need to exit the bath, (c) unawareness of impending hazard, (d) fetal damage in pregnant women, (e) physical inability to exit the bath, and (f) unconsciousness resulting in the danger of drowning.



**WARNING: Risk of hyperthermia.** People using medications and/or having an adverse medical history should consult a physician before using a bath equipped with a heater.



**WARNING: Risk of fetal injury.** Pregnant or possibly pregnant women should consult a physician before using the bath with heated surface.



**WARNING: Risk of hyperthermia or drowning.** Do not use the bath with heated surface immediately following strenuous exercise.



**WARNING: Risk of hyperthermia or drowning.** Water temperature in excess of 100°F (38°C) may cause injury. Test and adjust the water temperature before use.

Use this heated bath only for its intended purpose as described in this guide. Do not use attachments not recommended by Kohler Co.

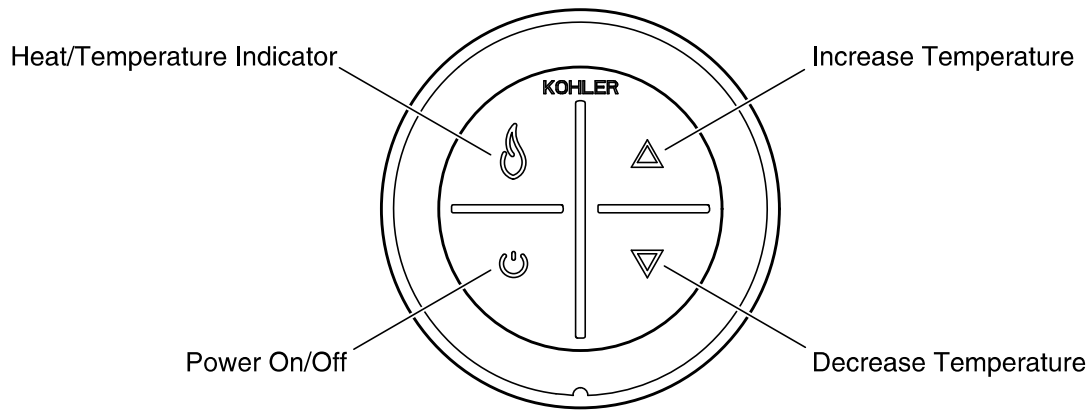
The heated bath must be connected only to a supply circuit that is protected by a Ground-Fault Circuit-Interrupter (GFCI)\*. Such a GFCI should be provided by the installer and should be tested on a routine basis. To test the GFCI, press the test button. The GFCI should interrupt power. Press the reset button. Power should be restored. If the GFCI fails to operate in this manner, the GFCI is defective. If the GFCI interrupts power to the bath without the test button being pressed, a ground current is flowing, indicating the possibility of an electric shock. Do not use this heated bath. Disconnect the heater and have

## **Operating Instructions (cont.)**

the problem corrected by a qualified service representative before using.

Your new KOHLER bath has been listed by Underwriter's Laboratories, ensuring safety for you and your family. This bath also conforms to rigid ANSI and IAPMO standards set within the plumbing industry.

\* Outside North America, this device may be known as a Residual Current Device (RCD).



## Operating Instructions

### Keypad Operation

- **Power Icon** - Turns the heater ON and OFF.
- **Heat/Temperature Indicator** - The [Flame] icon illuminates yellow, orange, or red depending on the heat level. Yellow indicates low heat, orange indicates medium heat, and red indicates high heat.
- **Up Arrow** - Increases the temperature.
- **Down Arrow** - Decreases the temperature.

**NOTICE:** The heater will remain on until it is manually turned OFF by pressing the [Power] icon.

**NOTE:** After 60 minutes of inactivity, the heater will automatically reset to low heat if the temperature was set to medium or high.

**NOTE:** The heater will turn on at the last selected temperature setting.

### Error Codes

- **Heat indicator blinking red** - The heater is not functioning.
- **Heat indicator blinking yellow** - The temperature sensor is not functioning or is loose.
- Refer to the "Troubleshooting" section to troubleshoot any problems.

### Confirm Heating System Operation

- Press the [Power] icon on the user keypad.
- Observe that the heat indicator turns yellow and the heater produces low heat.
- Press the [Up] arrow. Verify that the heat indicator turns orange and the temperature increases.
- Press the [Up] arrow a second time. Verify that the heat indicator turns red and the temperature increases.
- Press the [Down] arrow. Verify that the heat indicator turns orange and the temperature decreases.
- Press the [Down] arrow a second time. Verify that the heat indicator turns yellow and the temperature decreases.
- Press the [Power] icon to turn the heater OFF.

## Care and Cleaning

For best results, keep the following in mind when caring for your KOHLER product:

- Always test your cleaning solution on an inconspicuous area before applying to the entire surface.
- Wipe surfaces clean and rinse completely with water immediately after applying cleaner. Rinse and dry any overspray that lands on nearby surfaces.
- Do not allow cleaners to soak on surfaces.
- Use a soft, dampened sponge or cloth. Never use an abrasive material such as a brush or scouring pad to clean surfaces.

For detailed cleaning information and products to consider, visit [www.kohler.com/clean](http://www.kohler.com/clean). To order Care & Cleaning information, call 1-800-456-4537.

## Troubleshooting

This section is for general aid only. A Kohler Co. Authorized Service Representative or qualified electrician should correct any electrical problems. For warranty service, call 1-800-4KOHLER from within the USA and Canada, or 001-800-456-4537 from within Mexico.

**NOTE:** The product model number is located on the heater side of the bath.

**NOTE:** For service parts information, visit your product page at [kohler.com](http://kohler.com).

### Troubleshooting Table

Symptoms	Probable Cause	Recommended Action
1. Heated bath does not turn on.	<p>A. No power to power supply.</p> <p>B. User keypad cable loose or damaged.</p> <p>C. User keypad does not work.</p> <p>D. Power supply does not work.</p>	<p>A. Set/reset GFCI or RCD breaker; check wiring.</p> <p>B. Check wire connections. If necessary, replace user keypad cable.</p> <p>C. Check wire connections. Replace user keypad.</p> <p>D. Replace power supply.</p>
2. Bath is turned on, but there is little or no heat.	<p>A. Heater cable loose or damaged.</p> <p>B. Heater/insulation loose on the bath.</p> <p>C. Heat indicator is yellow or orange.</p> <p>D. Heater does not work.</p> <p>E. Temperature sensor does not work.</p>	<p>A. Check wire connections. If necessary, replace heater cable.</p> <p>B. Secure the heater/insulation to the bath.</p> <p>C. Press the [Up] arrow to increase temperature.</p> <p>D. Replace the heater.</p> <p>E. Replace the heater.</p>
3. Temperature does not automatically reset to low after 1 hour.	<p>A. Temperature sensor does not work.</p>	<p>A. Replace the heater and/or keypad.</p>
4. Heat indicator is blinking red.	<p>A. Heating system needs to be reset.</p> <p>B. Heater does not work.</p>	<p>A. Press the [Power] icon to turn the power OFF. Wait 10 seconds, then turn the power ON.</p> <p>B. Replace the heater.</p>
5. Heat indicator is blinking yellow.	<p>A. Heating system needs to be reset.</p> <p>B. Temperature sensor does not work.</p>	<p>A. Press the [Power] icon to turn the power OFF. Wait 10 seconds, then turn the power ON.</p> <p>B. Replace the heater.</p>

## Warranty

### ONE-YEAR LIMITED WARRANTY

KOHLER plumbing products are warranted to be free of defects in material and workmanship for one year from date of installation.

Kohler Co. will, at its election, repair, replace or make appropriate adjustment where Kohler Co. inspection discloses any such defects occurring in normal usage within one (1) year after installation. Kohler Co. is not responsible for removal or installation costs. **Use of in-tank toilet cleaners will void the warranty.**

To obtain warranty service contact Kohler Co. either through your Dealer, Plumbing Contractor, Home Center or E-tailer, or by writing Kohler Co., Attn.: Customer Care Center, 444 Highland Drive, Kohler, WI 53044, USA, or by calling 1-800-4-KOHLER (1-800-456-4537) from within the USA and Canada, and 001-800-456-4537 from within Mexico, or visit [www.kohler.com](http://www.kohler.com) within the USA, [www.ca.kohler.com](http://www.ca.kohler.com) from within Canada, or [www.mx.kohler.com](http://www.mx.kohler.com) in Mexico.

**IMPLIED WARRANTIES INCLUDING THAT OF MERCHANTABILITY AND FITNESS FOR A PARTICULAR PURPOSE ARE EXPRESSLY LIMITED IN DURATION TO THE DURATION OF THIS WARRANTY. KOHLER CO. AND/OR SELLER DISCLAIM ANY LIABILITY FOR SPECIAL, INCIDENTAL OR CONSEQUENTIAL DAMAGES.** Some states/provinces do not allow limitations on how long an implied warranty lasts, or the exclusion or limitation of special, incidental or consequential damages, so these limitations and exclusions may not apply to you. This warranty gives you specific legal rights. You may also have other rights which vary from state/province to state/province.

**This is Kohler Co.'s exclusive written warranty.**

## Warranty

### For Mexico

KOHLER CO.

It is recommended that at the time of purchase, you verify that all accessories and components are complete in this package.

This Kohler product is warranted to be free of defects in material and workmanship for one (1) year from the date of purchase as shown on the invoice or receipt.

1. Kohler Co. will only service its commercialized products through its authorized distributors.
2. To obtain warranty service, please present the invoice and corresponding warranty.
3. Through its authorized distributors, Kohler Co. promises to repair the defective product or provide a new replacement or an equivalent model (in those cases that the model has been discontinued) when the product is beyond repair, without any charge to the consumer.
4. The time of repair will not exceed six (6) weeks commencing on the date the product is received.
5. It is recommended that the consumer save the invoice or receipt as additional protection, as it may substitute the warranty in the case that there is a discrepancy in the validity of the warranty.

### EXCEPTIONS AND RESTRICTIONS

The Warranty will not be valid in the following cases:

1. When the product is not operated in accordance with the instructions concerning use and operation set forth in the owner's manual or installation instructions, and when the recommendations and warnings included are not observed.
2. When the product has been modified or dismantled partially or totally; or has been used in a negligent fashion and as a consequence has suffered damages attributable to the consumer, individual, or hardware not authorized by Kohler Co.
3. This warranty does not cover the damages as a result of disaster such as fire or acts of God, including flooding, earthquake, or electric storms, etc. To obtain a list of distributors in your area where you can exercise your rights under this warranty, please call 001-800-456-4537.

**Warranty (cont.)**

KOHLER CO., KOHLER, WI 53044 U.S.A.

**IMPORTER:**

COMERCIALIZADORA INTERCERAMIC, S.A. DE C.V.

AV. CARLOS PACHECO NO. 7200, COL. MADERA 65

CHIHUAHUA, CHIH., MEXICO C.P. 31060

R.F.C. CIN141022IE9

TEL: 52 (614) 429-11-11

**IMPORTER:**

GAMA MATERIALES Y ACEROS, S.A. DE C.V.

AVE LOS ANGELES NO. 1800

COL VALLE DEL NOGALAR, SAN NICOLAS DE LOS GARZA

N.L. MEXICO

R.F.C. GMA901220U11

TEL: 81-1160-5500

# Guide d'installation et d'entretien

## Baignoire avec surface chauffée

### Instructions d'installation



**AVERTISSEMENT:** Lors de l'utilisation de produits électriques, toujours observer les précautions de base, notamment:



**AVERTISSEMENT:** Risque de choc électrique. Raccorder uniquement à un circuit protégé par un disjoncteur de fuite de terre (GFCI)\*.



**AVERTISSEMENT:** Risque de choc électrique. Tout le câblage électrique doit être réalisé par un électricien qualifié.



**AVERTISSEMENT:** Risque de choc électrique. Déconnecter l'alimentation électrique avant d'effectuer un entretien.



**AVERTISSEMENT:** Risque de dommages matériels. Les matériaux de construction et le câblage doivent être acheminés loin des composants qui dégagent de la chaleur et qui font partie de la baignoire.



**AVERTISSEMENT:** Risque de blessures ou d'endommagement du matériel. Toutes les instructions doivent être lues avec la plus grande attention avant de commencer l'installation, et toutes les conditions suivantes doivent être respectées.

**AVIS:** Respecter tous les codes de plomberie, d'électricité et de construction. Installer cet ensemble conformément au Code canadien de l'électricité, Partie 1.

**AVIS:** Une mise à la terre est requise. L'appareil doit être installé et mis à la terre par un représentant technique qualifié.

**AVIS:** Fournir un accès pour entretien à l'alimentation électrique et aux composants du chauffage.

**AVIS:** Si le cordon d'alimentation est endommagé, il doit être remplacé par le fabricant, son représentant technique ou un personnel ayant les mêmes qualifications, afin d'éviter tout danger.

\* Hors de l'Amérique du Nord, ce dispositif peut être connu sous le nom de dispositif à courant résiduel (RCD).

### Identification du produit

N° de modèle K-\_\_\_\_\_

Noter le numéro d'identification exact, copié de l'étiquette sur l'emballage.

### Information sur le produit

#### Installations électriques requises



**AVERTISSEMENT:** Risque de brûlures, d'incendie, d'électrocution ou de blessures. Ne pas faire fonctionner le chauffage si le cordon d'alimentation est endommagé. Pour obtenir une assistance adéquate pour la réparation de ce produit, appeler: 1-800-4KOHLER à partir des É.-U. ou du Canada, ou le 001-800-456-4537 à partir du Mexique.

Cette installation doit avoir un disjoncteur de fuite de terre (GFCI) de classe A\*. Le disjoncteur GFCI protège

## Information sur le produit (cont.)

contre les risques d'électrocution fil sous tension-terre. **Utiliser une alimentation de 120 V, 15 A, 60 Hz pour la baignoire.**

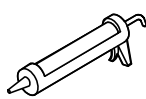
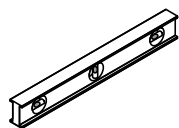
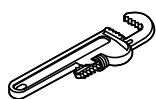
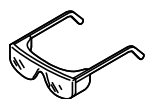
**Pour kit de musique sans fil:** Ce kit exige l'installation d'une prise électrique dans une proximité immédiate de l'amplificateur. Se référer aux instructions d'installation du kit de musique.

\* Hors de l'Amérique du Nord, ce dispositif peut être connu sous le nom de dispositif à courant résiduel (RCD).

## Caractéristiques de composants assemblés à l'usine

Les composants installés en usine comprennent la surface chauffée avec cordon d'alimentation, le clavier utilisateur, et le câble du clavier. Aucun montage n'est nécessaire, sauf le câblage électrique et la plomberie.

## Outils et matériel



Plus:

- Matériaux et outils à bois classiques
- Toile de protection
- Colle mastic (optionnelle)
- Ciment\* ou mortier (optionnel)
- Des 2x4
- Film en plastique (optionnel)
- Espaceurs 1/8" (3 mm)

\* Ne pas utiliser de plâtre dur.

Mastic à la silicone à 100%

## Avant de commencer

**AVIS:** Un support de plancher adéquat doit être fourni. Noter le **numéro de modèle** se trouvant sur le côté chauffé de la baignoire, puis visiter la page du produit sur le site kohler.com pour obtenir de l'information supplémentaire.

**AVIS:** Ne pas supporter le poids de charge de la baignoire par le rebord. Placer des cales sous la baignoire au besoin lors du nivellement de la baignoire.

**AVIS:** Avant d'installer un robinet de baignoire à montage sur rebord, se reporter à la fiche de spécifications de la page du produit de la baignoire sur le site kohler.com.

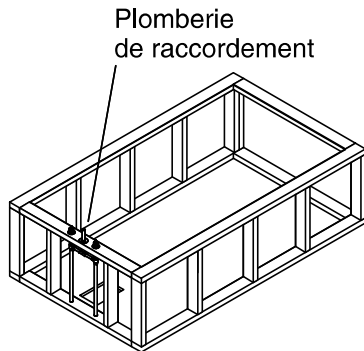
**AVIS:** Fournir un support avec planche d'appui adéquat pour un robinet à montage sur rebord; les robinets de grande taille qui auraient été utilisés par inadvertance comme moyen de support ne sont pas sécuritaires pour cette installation.

- Déballer et inspecter la baignoire et les composants pour détecter tout dommage. Remettre la baignoire et les composants dans l'emballage jusqu'à l'installation.
- Lors de la planification de l'emplacement d'installation, fournir un accès aux connexions de plomberie finales pour permettre les entretiens.

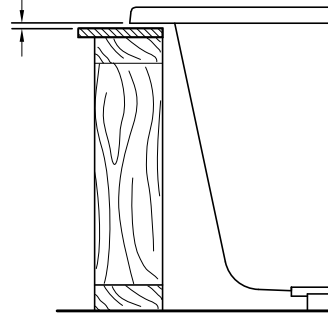
### **Avant de commencer (cont.)**

- Pour les installations à encastrer par le dessous, un kit d'encastrement par le dessous est nécessaire.
- Lorsqu'on installe un robinet sur rebord, s'assurer qu'il n'y ait pas d'interférence au-dessus ou au-dessous du rebord avant de percer des trous.

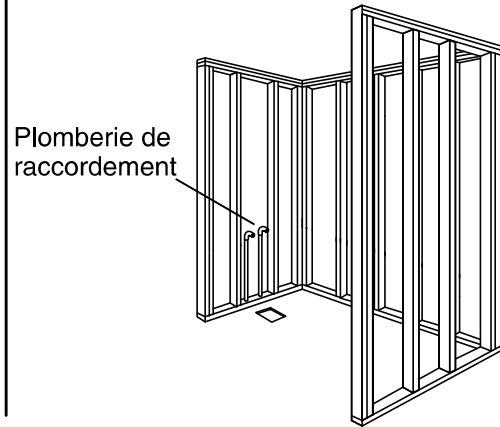
### Modèles à encastrer par le dessus



Fournir un espace de 1/8" (3 mm) maximum sous le rebord.



### Modèles à brides



## 1. Préparer le site

**AVIS:** Mesurer le produit pour la préparation du site. Noter le **numéro de modèle** se trouvant sur le côté chauffage de la baignoire, puis visiter la page du produit sur le site [kohler.com](http://kohler.com) pour obtenir de l'information supplémentaire.

**AVIS:** Ne pas supporter le poids de charge de la baignoire par le rebord. Prévoir de placer des cales sous la baignoire au besoin lors du nivellement de la baignoire.

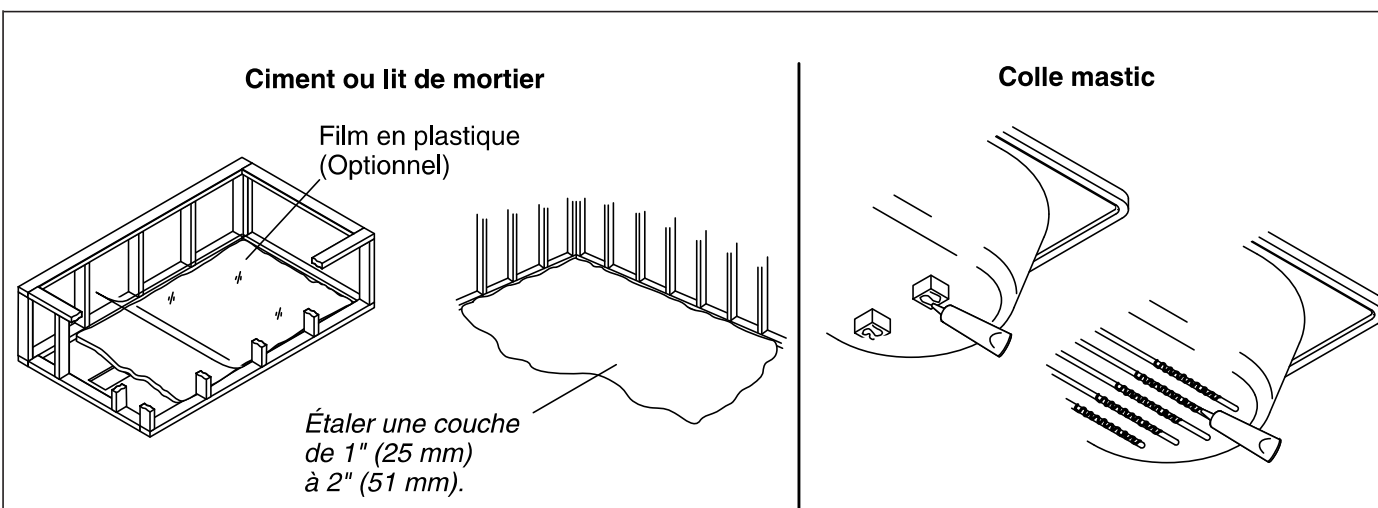
### Charpente

- S'assurer que le plancher offre un support adéquat pour la baignoire et vérifier que le sous-plancher est plat et de niveau.
- **Pour des modèles à encastrer par le dessus:** Cette baignoire est conçue pour des installations à encastrer par le dessus ou sur des podiums. Avec un robinet à montage sur tablier, prévoir un espace sur le tablier pour y loger le robinet.
- **Pour des modèles à brides:** La baignoire est conçue pour une installation en alcôve. Tenir compte de l'épaisseur des matériaux du mur fini lors de la construction de la charpente.
- Construire une charpente avec montants de 2x4 ou 2x6.
- Fournir un espace maximum de 1/8" (3 mm) entre le rebord de la baignoire et la charpente afin d'assurer que la baignoire n'est pas supportée par le rebord. Prendre en considération l'épaisseur du matériau du tablier fini.
- Installer un panneau d'accès pour les entretiens ultérieurs de l'alimentation électrique ou des composants de l'appareil de chauffage.
- **Pour les installations à encastrer par le dessus contre un mur:** Installer un boudin pour carrelage pour empêcher l'eau de suinter à l'arrière du mur. Suivre les instructions incluses avec le boudin pour carrelage.

### Plomberie

**REMARQUE:** Pour des installations de drain à travers le plancher: Couper un orifice pour drain pour les connexions de drain.

- Installer la tuyauterie de raccordement.
- Installer le drain sur la baignoire conformément aux instructions du fabricant du drain.
- Placer une toile de protection propre au fond de la baignoire pour protéger la finition pendant la procédure d'installation.



## 2. Installer la baignoire

**IMPORTANT!** Utiliser des espaceurs d'une épaisseur de 1/8" (3 mm) au maximum sous le rebord de la baignoire pour assurer que le rebord n'entre pas en contact avec le tablier.

**REMARQUE:** Certains modèles sont dotés de pieds de support; d'autres modèles ont des supports moulés.

- Choisir la méthode d'installation qui s'applique le mieux à votre installation en particulier. Suivre les instructions appropriées.

### Option 1: Lit de ciment ou de mortier

**AVIS:** Ne pas utiliser de plâtre dur ou de mélange pour cloison sèche, car ces matériaux ne fournissent pas une adhésion durable.

- Poser un film en plastique sur le sous-plancher en bois au besoin afin de prévenir une absorption d'eau.
- Étaler une couche de ciment ou de mortier entre 1" (25 mm) et 2" (51 mm) sur le sous-plancher.
- Avec de l'aide, lever la baignoire avec précaution pour la positionner dans le matériel du lit.
- Adapter des espaceurs de 1/8" (3 mm) maximum sous le rebord de la baignoire de manière à ce que le rebord n'entre pas en contact avec le tablier.
- Vérifier que la baignoire est de niveau. Repositionner ou caler selon les besoins.
- Appliquer du poids sur le fond de la baignoire jusqu'à ce que le ciment ou le mortier durcisse.

### Option 2: Colle mastic

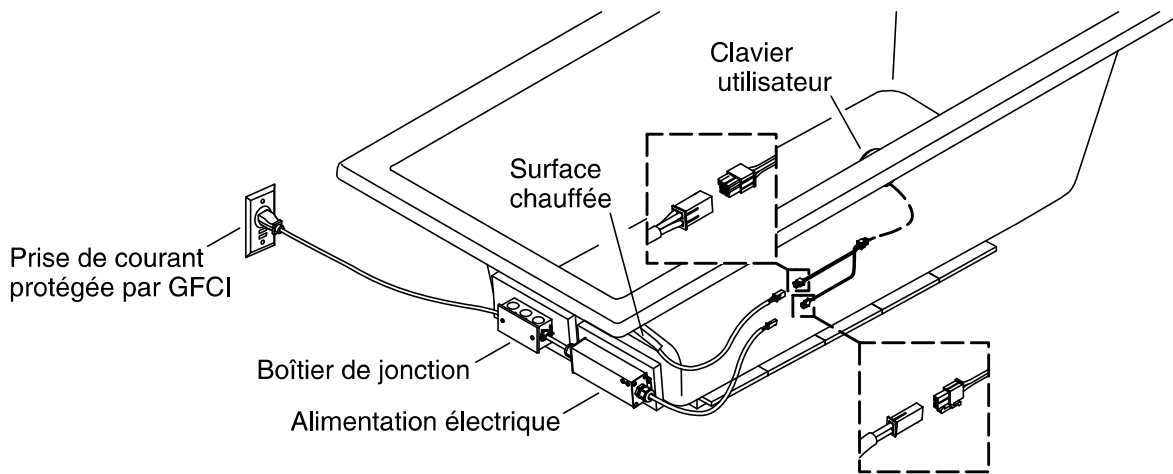
- Appliquer une quantité suffisante de colle mastic de haute qualité sur la base des pieds de support ou des supports moulés.
- Avec de l'aide, lever la baignoire avec précaution et la positionner.
- Adapter des espaceurs de 1/8" (3 mm) maximum sous le rebord de la baignoire de manière à ce que le rebord n'entre pas en contact avec le tablier.
- Vérifier que la baignoire est de niveau et repose sur tous les supports. Repositionner ou caler selon les besoins.
- Appliquer du poids sur le fond de la baignoire jusqu'à ce que l'adhésif ait durci.

### Installer la plomberie

- Connecter le drain au siphon.

### **Installer la baignoire (cont.)**

- Installer la vanne de robinet.
- Inspecter les connexions du drain pour y rechercher des fuites éventuelles.



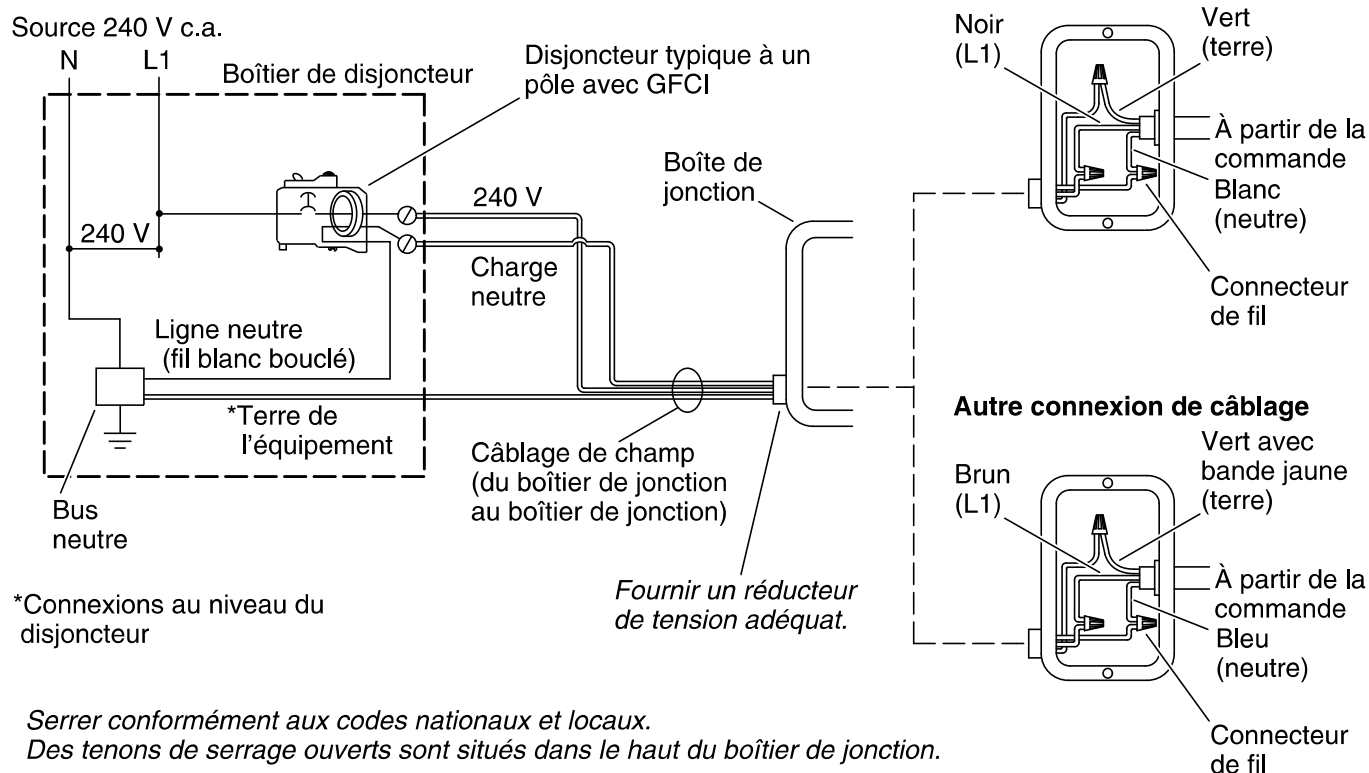
### 3. Installer la prise électrique – 120 V



**AVERTISSEMENT: Risque de choc électrique.** Brancher l'alimentation électrique sur une prise de mise à la terre, reliée à la terre de manière adéquate et protégée par un disjoncteur de fuite de terre (GFCI) ou un dispositif différentiel à courant résiduel (RCD). Ne pas retirer la broche de mise à la terre de la fiche. Ne pas utiliser un adaptateur de mise à la terre.

- Votre baignoire avec surface chauffée est dotée d'une fiche et d'un cordon. L'alimentation électrique a été câblée en usine. Un électricien agréé doit installer une prise de courant mise à la terre de 120 V, 15 A, protégée par disjoncteur de fuite de terre. Placer la prise de courant à l'arrière de la baignoire et dans un rayon de 24" (610 mm) de l'alimentation électrique.
- **Pour kit de musique sans fil:** Ce kit exige l'installation d'une prise électrique dans une proximité immédiate de l'amplificateur. Se référer aux instructions d'installation du kit de musique.
- Brancher le cordon d'alimentation électrique dans cette prise.

## Connexion de câblage typique de 240 V



## 4. Effectuer les connexions électriques – 240 V

**REMARQUE:** Le régime électrique nominal du produit est imprimé sur une étiquette placée sur le côté lombaire de la baignoire. Les baignoires avec surface chauffée sont conçues pour fonctionner entre 110 V et 240 V à 50 ou à 60 Hz.



**AVERTISSEMENT: Risque de choc électrique.** Débrancher l'alimentation électrique avant d'effectuer les procédures suivantes.



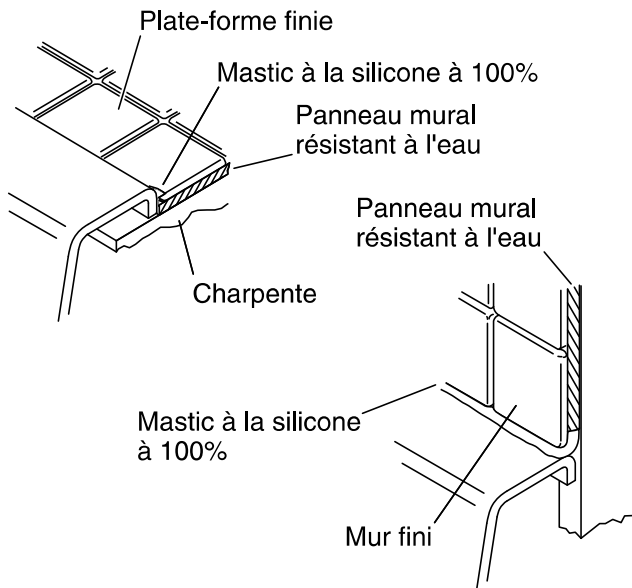
**AVERTISSEMENT: Risque de choc électrique.** Connecter la baignoire à un disjoncteur de fuite de terre (GFCI) ou à un dispositif à courant résiduel (RCD) mis à la terre de manière adéquate afin de la protéger contre un danger de choc de tension phase-terre.

**IMPORTANT!** Le fil blanc doit être connecté à la borne de charge neutre sur le disjoncteur de fuite de terre (GFCI) ou le dispositif à courant résiduel (RCD). Le fil vert est la **terre de l'équipement** et doit être connecté sur le bus neutre dans la boîte du disjoncteur principal.

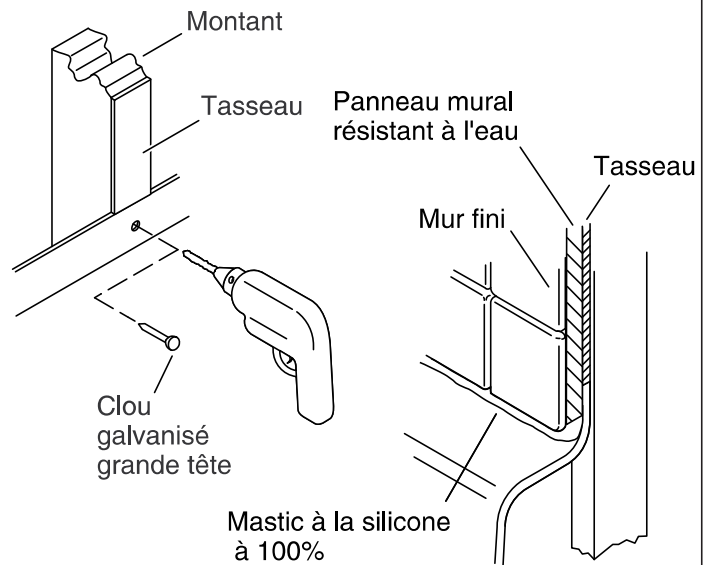
**IMPORTANT!** Certains équipements et certaines installations varient. Se reporter à la section "Autre connexion de fils" comme sur l'illustration pour plus de détails.

- Suivre tous les codes électriques locaux. Sceller en fonction des codes locaux.
- Retirer la fiche de 120 V du cordon électrique sur le boîtier de jonction monté sur le tableau de commande.
- Connecter le service à la boîte de jonction avec une fiche de 240 V (non incluse) ou une connexion câblée.
- **Pour kit de musique sans fil:** Ce kit exige l'installation d'une prise électrique dans une proximité immédiate de l'amplificateur. Se référer aux instructions d'installation du kit de musique.

### Modèles à encastrer par le dessus



### Modèles à brides



## 5. Terminer l'installation

**IMPORTANT!** Kohler Co. recommande vivement d'utiliser du mastic d'étanchéité à la silicone à 100%, conformément aux instructions de ce guide d'installation. D'autres mastics d'étanchéité pourraient se rétrécir, se séparer, et peler au cours du temps.

### Effectuer un essai de fonctionnement de la baignoire

- Inspecter toutes les connexions électriques et s'assurer que l'alimentation électrique pour la baignoire est activée.
- Faire fonctionner le clavier utilisateur pour tester les réglages de la température.
- Pour obtenir de l'information supplémentaire sur le fonctionnement de la baignoire, voir la rubrique "Instructions d'utilisation".

### Modèles à encastrer par le dessus:

- Si applicable, retirer avec précaution la pellicule protectrice du rebord de la baignoire.
- Appliquer un boudin de mastic à la silicone à 100% autour de tout le rebord de la baignoire.
- Installer un panneau mural résistant à l'eau sur la charpente des montants.
- Appliquer un boudin de 1/8" (3 mm) minimum de mastic d'étanchéité à la silicone à 100% pour sceller toutes les zones où la baignoire et le panneau mural entrent en contact.

### Modèles à brides:

- Percer un petit trou-pilote à travers la bride de cloutage de chaque montant. Ajouter des cales pour éliminer tous les écarts.
- Clouer des tasseaux de 1/4" (6 mm) d'épaisseur sur les montants.
- Utiliser des clous galvanisés à grande tête pour fixer la bride de cloutage sur les montants.
- Installer un panneau mural résistant à l'eau, en laissant un espace de 1/8" (3 mm) entre le rebord de la baignoire et le panneau mural.

### Tous les modèles

## Terminer l'installation (cont.)

- Installer le matériau de mur/du tablier finis à 1/8" (3 mm) du bord de la baignoire afin de créer une rainure pour le mastic à la silicone à 100%.
- Appliquer un boudin de 1/8" (3 mm) de mastic à la silicone dans la rainure entre le bord de la baignoire et le tablier/le mur finis.
- Installer la garniture de robinet.

# Instructions d'utilisation

## INSTRUCTIONS IMPORTANTES DE SÉCURITÉ LIRE ET SUIVRE TOUTES LES INSTRUCTIONS CONSERVER CES INSTRUCTIONS

### INSTRUCTIONS RELATIVES AUX RISQUES D'INCENDIE, D'ÉLECTROCUTION OU DE BLESSURES CORPORELLES



**AVERTISSEMENT:** Lors de l'utilisation de produits électriques, toujours observer les précautions de base, notamment:



**DANGER: Risque de blessures ou de noyade accidentelles** Afin de réduire les risques de blessures, ne jamais permettre à un enfant d'utiliser cet appareil sans surveillance étroite, en tout temps.



**AVERTISSEMENT: Risque de blessures.** Pour éviter les blessures corporelles, entrer et sortir avec précaution de la baignoire.



**AVERTISSEMENT: Risque de choc électrique.** Ne pas amener les appareils électriques (tels que des sèche-cheveux, des lampes, des téléphones, des radios ou des télévisions) dans un rayon de 5' (1,5 m) de cette baignoire.



**AVERTISSEMENT: La consommation d'alcool, de drogues ou de médicaments peut augmenter considérablement le risque fatal d'hyperthermie.** Une immersion prolongée dans l'eau chaude peut provoquer une hyperthermie. Une hyperthermie a lieu lorsque la température corporelle interne atteint un niveau dépassant de plusieurs degrés la température corporelle normale de 98,6°F (37°C). Les symptômes d'hyperthermie comprennent une hausse de la température corporelle interne, les étourdissements, une léthargie, une somnolence et les évanouissements. Les effets de l'hyperthermie comprennent: (a) défaut de percevoir la chaleur, (b) défaut de s'apercevoir du besoin de sortir de la baignoire, (c) incapacité de reconnaître le danger imminent, (d) lésions au fœtus dans le cas des femmes enceintes, (e) incapacité physique de sortir de la baignoire et (f) inconscience et danger conséquent de noyade.



**AVERTISSEMENT: Risque d'hyperthermie.** Les personnes sous médicaments et/ou qui ont des antécédents médicaux indésirables doivent consulter un médecin avant d'utiliser une baignoire équipée d'un appareil de chauffage.



**AVERTISSEMENT: Risque de préjudice corporel au fœtus.** Les femmes enceintes ou qui pourraient être enceintes doivent consulter un médecin avant d'utiliser la baignoire avec surface chauffée.



**AVERTISSEMENT: Risque d'hyperthermie ou de noyade.** Ne pas utiliser la baignoire avec surface chauffée immédiatement après des exercices physiques rigoureux.

## Instructions d'utilisation (cont.)



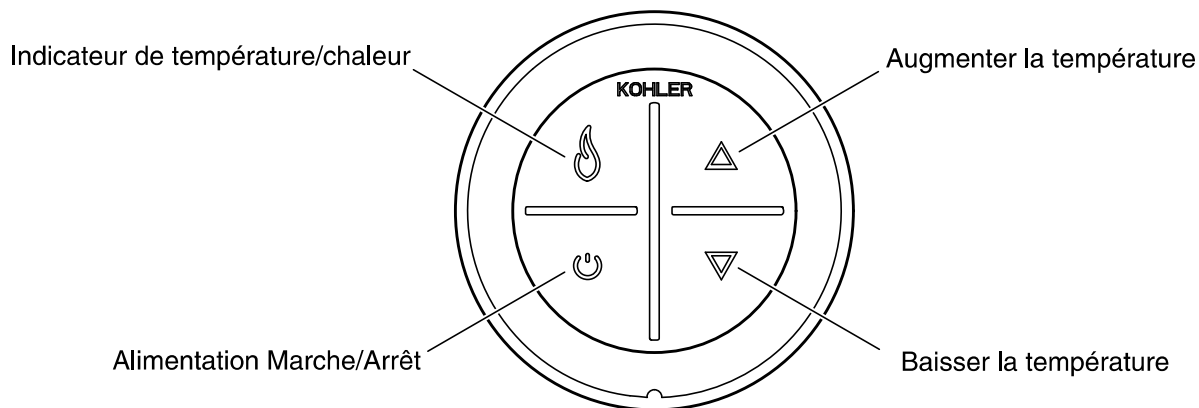
**AVERTISSEMENT: Risque d'hyperthermie ou de noyade.** Une température d'eau supérieure à 100°F (38°C) peut causer des traumatismes. Vérifier et régler la température de l'eau avant utilisation.

Utiliser cette baignoire chauffée uniquement pour l'usage prévu, tel que décrit dans ce guide. Ne pas utiliser de dispositifs d'attache non recommandés par Kohler Co.

La baignoire chauffée doit être raccordée uniquement à un circuit d'alimentation qui est protégé par un disjoncteur de fuite de terre (GFCI). L'installateur doit fournir un disjoncteur de fuite de terre de ce type et celui-ci doit être inspecté régulièrement. Pour inspecter le disjoncteur de fuite de terre, appuyer sur le bouton d'essai. Le disjoncteur de fuite de terre doit couper le courant. Appuyer sur le bouton de réinitialisation. L'alimentation devrait avoir été restaurée. Si le disjoncteur de fuite de terre ne fonctionne pas de cette manière, le disjoncteur est défectueux. Si le disjoncteur de fuite de terre interrompt l'alimentation de courant vers la baignoire sans que l'on ait appuyé sur le bouton d'essai, ceci indique qu'un courant à la terre est en train de circuler, et, par conséquent, la possibilité d'un choc électrique. Ne pas utiliser pas cette baignoire chauffée. Déconnecter l'appareil de chauffage et le faire réviser par un technicien qualifié avant de l'utiliser.

Votre nouvelle baignoire KOHLER a été homologuée par l'Underwriter's Laboratories, assurant ainsi votre sécurité et celle de votre famille. Cette baignoire est également conforme aux normes ANSI et IAPMO établies pour l'industrie de la plomberie.

\* Hors de l'Amérique du Nord, ce dispositif peut être connu sous le nom de dispositif à courant résiduel (RCD).



## Instructions d'utilisation

### Fonctionnement du clavier

- **Icône d'alimentation** - Met l'appareil de chauffage en marche et l'arrête.
- **Indicateur de température/chaueur** - L'icône [Flamme] s'allume en jaune, en orange ou en rouge, en fonction du niveau de la chaleur. Le jaune indique une chaleur basse, l'orange indique une chaleur moyenne, et le rouge indique une chaleur élevée.
- **Flèche vers le haut** - Augmente la température.
- **Flèche vers le bas** - Abaisse la température.

**AVIS:** L'appareil de chauffage reste en marche jusqu'à ce qu'il soit arrêté manuellement, en appuyant sur l'icône [Alimentation].

**REMARQUE:** Au bout de 60 minutes d'inactivité, le réchauffeur se réinitialise automatiquement sur une chaleur basse si la température a été réglée au niveau moyen ou élevé.

**REMARQUE:** Le réchauffeur se met en marche avec la dernière température sélectionnée.

### Codes d'erreur

- **L'indicateur de chaleur clignote en rouge** - Le réchauffeur ne fonctionne pas.
- **L'indicateur de chaleur jaune clignote** - La sonde de température ne fonctionne pas ou est desserrée.
- Se reporter à la section "Dépannage" pour rechercher des problèmes et y remédier.

### Vérifier le fonctionnement du système de chauffage

- Appuyer sur l'icône [Alimentation] sur le clavier utilisateur.
- Observer que l'indicateur de chaleur devient jaune et que le réchauffeur fournit une chaleur basse.
- Appuyer sur la flèche [vers le haut]. Vérifier que l'indicateur de chaleur devient orange et que la température augmente.
- Appuyer une deuxième fois sur la flèche [vers le haut]. Vérifier que l'indicateur de chaleur devient rouge et que la température diminue.
- Appuyer sur la flèche [vers le bas]. Vérifier que l'indicateur de chaleur devient orange et que la température diminue.

## Instructions d'utilisation (cont.)

- Appuyer une deuxième fois sur la flèche [vers le bas]. Vérifier que l'indicateur de chaleur devient jaune et que la température diminue.
- Appuyer sur l'icône [Alimentation] pour arrêter le réchauffeur.

## Entretien et nettoyage

Pour obtenir les meilleurs résultats possibles, prendre ce qui suit en considération lors de l'entretien de votre produit KOHLER:

- Toujours tester la solution de nettoyage sur une surface non visible avant de l'appliquer sur l'ensemble de la surface.
- Essuyer les surfaces et rincer complètement avec de l'eau immédiatement après l'application du nettoyant. Rincer et sécher tout éclaboussement sur les surfaces avoisinantes.
- Ne pas laisser les nettoyeurs tremper sur les surfaces.
- Utiliser une éponge ou un chiffon doux et humide. Ne jamais utiliser de matériau abrasif tel qu'une brosse ou une éponge à récurer pour nettoyer les surfaces.

Pour obtenir des renseignements détaillés sur le nettoyage et les produits à considérer, consulter le site [www.kohler.com/clean](http://www.kohler.com/clean). Pour commander des renseignements sur le nettoyage, appeler le 1-800-456-4537.

## Dépannage

Cette section est seulement destinée à une aide générale. Un représentant du service agréé Kohler Co. ou un électricien qualifié doit rectifier tous les problèmes électriques. Pour un service de garantie, appeler le 1-800-4KOHLER à partir des É.-U. et du Canada, ou le 001-800-456-4537 à partir du Mexique.

**REMARQUE:** Le numéro de modèle du produit se trouve sur le côté appareil de chauffage de la baignoire.

**REMARQUE:** Pour tout renseignement sur les pièces de rechange, visiter la page du produit sur le site [kohler.com](http://kohler.com).

### Tableau de dépannage

Symptômes	Cause probable	Action recommandée
1. La baignoire chauffée ne se met pas en marche.	<p><b>A.</b> Aucune alimentation pour la source d'alimentation électrique.</p> <p><b>B.</b> Câble du clavier utilisateur desserré ou endommagé.</p> <p><b>C.</b> Le clavier utilisateur ne fonctionne pas.</p> <p><b>D.</b> L'alimentation électrique ne fonctionne pas.</p>	<p><b>A.</b> Armer/réarmer le disjoncteur GFCI ou RCD; inspecter le câblage.</p> <p><b>B.</b> Vérifier les connexions de fils. Si nécessaire, remplacer le câble du clavier utilisateur.</p> <p><b>C.</b> Vérifier les connexions de fils. Remplacer le clavier utilisateur.</p> <p><b>D.</b> Remplacer l'alimentation électrique.</p>
2. La baignoire est en marche, mais la chaleur est faible ou inexistante.	<p><b>A.</b> Câble de l'appareil de chauffage desserré ou endommagé.</p> <p><b>B.</b> Appareil de chauffage/matériau isolant desserré sur la baignoire.</p> <p><b>C.</b> L'indicateur de chaleur est jaune ou orange.</p> <p><b>D.</b> L'appareil de chauffage ne fonctionne pas.</p> <p><b>E.</b> La sonde de température ne fonctionne pas.</p>	<p><b>A.</b> Vérifier les connexions de fils. Si nécessaire, remplacer le câble de l'appareil de chauffage.</p> <p><b>B.</b> Sécuriser l'appareil de chauffage/le matériau isolant sur la baignoire.</p> <p><b>C.</b> Appuyer sur la flèche [vers le haut] pour augmenter la température.</p> <p><b>D.</b> Remplacer l'appareil de chauffage.</p> <p><b>E.</b> Remplacer l'appareil de chauffage.</p>

## Dépannage (cont.)

### Tableau de dépannage

Symptômes	Cause probable	Action recommandée
3. La température ne se réinitialise pas automatiquement à une basse température au bout d'une heure.	A. La sonde de température ne fonctionne pas.	A. Remplacer l'appareil de chauffage et/ou le clavier.
4. L'indicateur de chaleur clignote en rouge.	A. Le système de chauffage doit être réinitialisé. B. L'appareil de chauffage ne fonctionne pas.	A. Appuyer sur l'icône [Alimentation] pour couper l'alimentation. Attendre 10 secondes, puis remettre l'appareil sous alimentation. B. Remplacer l'appareil de chauffage.
5. L'indicateur de chaleur clignote en jaune.	A. Le système de chauffage doit être réinitialisé. B. La sonde de température ne fonctionne pas.	A. Appuyer sur l'icône [Alimentation] pour couper l'alimentation. Attendre 10 secondes, puis remettre l'appareil sous alimentation. B. Remplacer l'appareil de chauffage.

## Garantie

### GARANTIE LIMITÉE D'UN AN

Les produits de plomberie KOHLER sont garantis contre tout vice de matériau et de fabrication pendant un an à partir de la date de l'installation.

Si un vice est découvert au cours d'une utilisation normale, Kohler Co. choisira, à sa discrétion, la réparation, le remplacement ou la rectification appropriée après inspection desdits vices par Kohler Co. pendant un (1) an à partir de la date d'installation. Kohler Co. n'est pas responsable des frais d'enlèvement ou d'installation. **L'utilisation de nettoyeurs à l'intérieur du réservoir annule la garantie.**

Pour obtenir le service de garantie, contacter Kohler Co., par l'intermédiaire du vendeur, plombier, centre de rénovation ou revendeur par internet, ou bien par écrit à l'adresse suivante Kohler Co., Attn.: Customer Care Center, 444 Highland Drive, Kohler, WI 53044, USA, ou appeler le 1-800-4-KOHLER (1-800-456-4537) à partir des É.-U. et du Canada, et le 001-800-456-4537 à partir du Mexique, ou consulter le site [www.kohler.com](http://www.kohler.com) aux É.-U., [www.ca.kohler.com](http://www.ca.kohler.com) à partir du Canada, ou [www.mx.kohler.com](http://www.mx.kohler.com) au Mexique.

**LES GARANTIES TACITES, Y COMPRIS CELLES DE COMMERCIALITÉ ET D'ADAPTATION À UN USAGE PARTICULIER, SONT EXPRESSÉMENT LIMITÉE À LA DURÉE DE LA PRÉSENTE GARANTIE. KOHLER CO. ET/OU LE REVENDEUR DÉCLINENT TOUTE RESPONSABILITÉ CONTRE LES DOMMAGES PARTICULIERS, ACCESSOIRES OU INDIRECTS.** Certains états et provinces ne permettent pas de limite sur la durée de la garantie tacite, ni l'exclusion ou la limite des dommages particuliers, accessoires ou indirects, et, par conséquent, lesdites limites et exclusions peuvent ne pas s'appliquer à votre cas. Cette garantie vous donne des droits juridiques particuliers. Vous pouvez également avoir d'autres droits qui varient d'un état ou d'une province à l'autre.

Ceci constitue la garantie écrite exclusive de Kohler Co.

## Garantie

### Pour le Mexique

KOHLER CO.

Il est recommandé de s'assurer qu'il ne manque aucun accessoire ou composant dans l'emballage au moment de l'achat.

Ce produit Kohler est garanti contre tout défaut de matériel et de fabrication pour une période d'un (1) an à

## **Garantie (cont.)**

partir de la date d'achat tel qu'indiqué sur la facture ou le reçu de caisse.

1. Kohler Co. effectuera seulement un entretien de ses produits commercialisés à travers son réseau de distributeurs agréés.
2. Pour obtenir un service-garantie, présenter la facture et le certificat de garantie du produit correspondant.
3. Kohler Co. s'engage, par l'intermédiaire de ses distributeurs autorisés, à réparer ou à remplacer tout produit défectueux par un modèle équivalent (dans les cas où les modèles ne sont plus fabriqués) lorsque le produit ne peut pas être réparé, sans frais pour le consommateur.
4. Le temps de réparation n'excédera pas six (6) semaines à compter de la date de réception du produit.
5. Il est recommandé que le consommateur conserve la facture ou le ticket de caisse comme mesure de protection supplémentaire, car ceux-ci pourraient remplacer la garantie dans le cas d'erreur de validité de la garantie.

### **EXCEPTIONS ET RESTRICTIONS**

La garantie perdra sa validité dans les cas suivants:

1. Lorsque le produit n'est pas utilisé conformément aux instructions d'utilisation et de fonctionnement indiquées dans le guide du propriétaire ou dans les instructions d'installation, et quand les recommandations et mises en garde ne sont pas respectées.
2. Quand le produit a été partiellement ou totalement modifié ou démonté, ou s'il a été utilisé d'une façon négligée ayant pour conséquence un endommagement causé par le consommateur, une personne ou un matériel non autorisé par Kohler Co.
3. Cette garantie ne couvre pas les dommages issus de catastrophes telles que les incendies ou les catastrophes naturelles, y compris les inondations, les tremblements de terre, les orages électriques, etc. Pour obtenir une liste des distributeurs dans votre région auprès desquels il est possible d'exercer ses droits dans le cadre de la présente garantie, composer le 001-800-456-4537.

KOHLER CO., KOHLER, WI 53044 U.S.A.

#### **IMPORTATEUR:**

COMERCIALIZADORA INTERCERAMIC, S.A. DE C.V.

AV. CARLOS PACHECO NO. 7200, COL. MADERA 65

CHIHUAHUA, CHIH., MEXICO C.P. 31060

R.F.C. CIN141022IE9

TÉL.: 52 (614) 429-11-11

#### **IMPORTATEUR:**

GAMA MATERIALES Y ACEROS, S.A. DE C.V.

AVE LOS ANGELES NO. 1800

COL VALLE DEL NOGALAR, SAN NICOLAS DE LOS GARZA

N.L. MEXIQUE

R.F.C. GMA901220U11

TÉL.: 81-1160-5500

# Guía de instalación y cuidado

## Bañera con superficie de calefacción

### Instrucciones de instalación



**ADVERTENCIA:** Al usar aparatos eléctricos siempre cumpla las precauciones básicas, como las siguientes:



**ADVERTENCIA: Riesgo de sacudidas eléctricas.** Solamente conecte a un circuito protegido por un interruptor de circuito con pérdida a tierra (GFCI)\*.



**ADVERTENCIA: Riesgo de sacudidas eléctricas.** Un electricista capacitado debe tender todo el cableado eléctrico.



**ADVERTENCIA: Riesgo de sacudidas eléctricas.** Desconecte el suministro eléctrico antes de dar servicio.



**ADVERTENCIA: Riesgo de daños a la propiedad.** Los materiales de construcción y el cableado se deben colocar alejados de los componentes de la bañera que producen calor.



**ADVERTENCIA: Riesgo de lesiones personales o de daños a la propiedad.** Antes de comenzar la instalación, lea atentamente todas las instrucciones además de los requisitos detallados a continuación.

**AVISO: Cumpla todos los códigos de plomería, eléctricos y de construcción.** En Canadá, instale la unidad conforme al Código Eléctrico Canadiense, Parte 1.

**AVISO: Se requiere conexión a tierra.** Un representante de servicio autorizado debe instalar esta unidad y conectarla a tierra.

**AVISO:** Permita acceso para dar servicio a la fuente de suministro eléctrico y a los componentes de calefacción.

**AVISO:** Si el cable de suministro eléctrico está dañado, debe ser reemplazado por el fabricante, por su agente de servicio o por personas igualmente capacitadas para así evitar el peligro.

\*Fuera de Estados Unidos es posible que este dispositivo se conozca como dispositivo de corriente residual (RCD, por sus siglas en inglés).

### Identificación del producto

Modelo # K-\_\_\_\_\_

Escriba el número de modelo, copiado de la etiqueta de la caja.

### Información sobre el producto

#### Requisitos eléctricos



**ADVERTENCIA: Riesgo de quemaduras, incendio, sacudida eléctrica o lesiones personales.** No haga funcionar el calentador si el cable de suministro eléctrico está dañado. Para obtener asesoría sobre la reparación de este producto, llame al: 1-800-4KOHLER desde EE.UU. o Canadá, o al 001-800-456-4537 desde México.

La instalación debe contar con un interruptor de circuito con pérdida a tierra (GFCI)\* de Clase A. El

## Información sobre el producto (cont.)

interruptor GFCI protege contra el peligro de sacudida eléctrica de línea a tierra. **Utilice un circuito de 120 V, 15 A y 60 Hz para la bañera.**

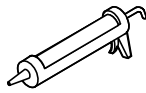
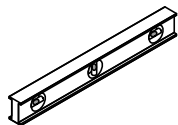
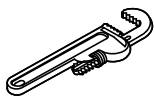
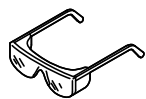
**Para el kit inalámbrico de música:** El kit requiere la instalación de un tomacorriente cerca de donde se encuentre el amplificador. Consulte las instrucciones de instalación del kit de música.

\*Fuera de Estados Unidos es posible que este dispositivo se conozca como dispositivo de corriente residual (RCD, por sus siglas en inglés).

## Características ensambladas de fábrica

Los componentes instalados en fábrica incluyen la superficie de calefacción con el cable de la fuente de suministro eléctrico, el teclado y el cable del teclado. Además del cableado eléctrico y de la instalación de plomería, no es necesario realizar ningún tipo de ensamblaje.

## Herramientas y materiales



Sellador 100% de silicona

Más:

- Herramientas y materiales convencionales de carpintería
- Lona
- Adhesivo de construcción (opcional)
- Cemento\* o mortero (opcional)
- Postes de madera de 2x4
- Película plástica (opcional)
- Espaciadores de 1/8" (3 mm)

\* *No utilice cemento de yeso.*

## Antes de comenzar

**AVISO:** El piso debe proporcionar el soporte adecuado. Fíjese en el **número de modelo** en el lado del calentador de la bañera, y luego visite la página del producto en [kohler.com](http://kohler.com) para obtener información adicional.

**AVISO:** No apoye el peso de la bañera sobre el reborde. Instale cuñas bajo la bañera cuando sea necesario para nivelarla.

**AVISO:** Antes de instalar una grifería de bañera de montaje al reborde, consulte la hoja de especificaciones en la página del producto de baño en [kohler.com](http://kohler.com).

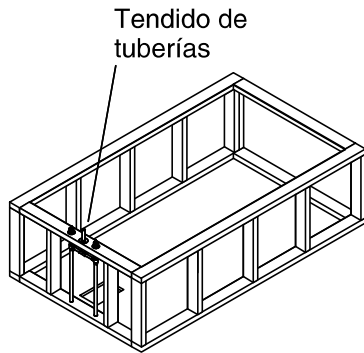
**AVISO:** Provea el soporte adecuado con tablas de refuerzo a las griferías de montaje al reborde; las griferías grandes que puedan ser utilizadas inadvertidamente como medio de soporte no son seguras para esta instalación.

- Saque de su embalaje la bañera y sus componentes, y verifique que no estén dañados. Vuelva a colocar la bañera y los componentes en la caja hasta que vaya a hacer la instalación.
- Al planear el área de instalación, deje acceso a todas las conexiones de plomería finales para dar servicio.

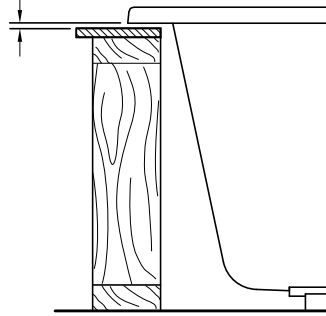
**Antes de comenzar (cont.)**

- En instalaciones de montaje por abajo, se requiere un kit de montaje por abajo.
- Si va a instalar una grifería de montaje al reborde, antes de taladrar los orificios verifique que no haya interferencias sobre o abajo del reborde.

### Modelos de sobreponer

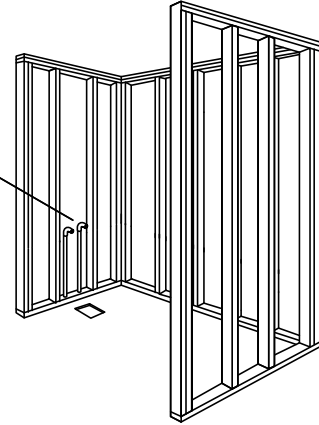


Deje una separación máxima de 1/8" (3 mm) bajo el borde.



### Modelos de reborde

Tendido de tuberías



## 1. Prepare el sitio

**AVISO:** Mida su producto para preparar el lugar. Fíjese en el **número de modelo** en el lado del calentador de la bañera, y luego visite la página del producto en [kohler.com](http://kohler.com) para obtener información adicional.

**AVISO:** No apoye el peso de la bañera sobre el reborde. Planee instalar cuñas bajo la bañera cuando sea necesario para nivelarla.

### Estructura de postes

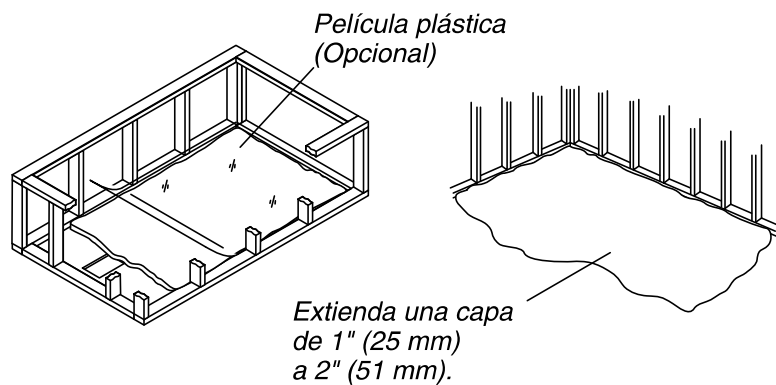
- Asegúrese de que el piso ofrezca suficiente soporte para su bañera, y verifique que el subpiso esté plano y nivelado.
- En modelos de sobreponer:** La bañera está diseñada para instalación de sobreponer o sobre cubierta elevada. Si va a instalar una grifería de montaje en cubierta, elija un espacio en la cubierta donde quepa la grifería.
- En modelos con pestaña:** La bañera está diseñada para instalación encajonada entre tres paredes (en alcoba). Al construir la estructura de postes de madera, tome en cuenta el espesor de los materiales de la pared acabada.
- Construya la estructura con postes de madera de 2x4 o de 2x6.
- Deje una separación máxima de 1/8" (3 mm) entre el reborde de la bañera y la estructura de madera para asegurar que la bañera no quede apoyada sobre el reborde. Tome en cuenta el grosor total del material de la cubierta acabada.
- Instale un panel de acceso para el servicio futuro de la fuente de alimentación o componentes del calentador.
- Para instalaciones de sobreponer contra una pared:** Instale una tira selladora para evitar que el agua se filtre detrás de la pared. Siga las instrucciones incluidas con la tira selladora.

### Plomería

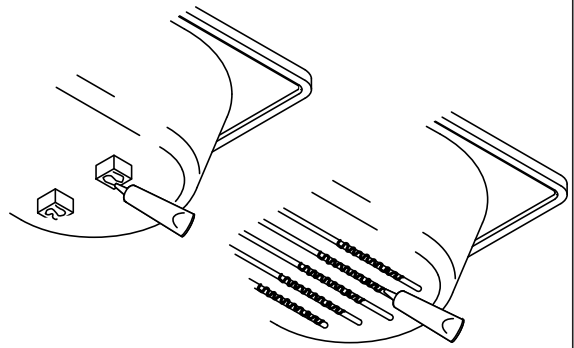
**NOTA:** En instalaciones con desagüe a través del piso: Corte un orificio de desagüe para las conexiones del desagüe.

- Instale el tendido de plomería.
- Instale el desagüe en la bañera de acuerdo a las instrucciones del fabricante del desagüe.
- Coloque una lona limpia en el fondo de la bañera para proteger el acabado durante el proceso de instalación.

### Capa de cemento o mortero



### Adhesivo de construcción



## 2. Instale la bañera

**¡IMPORTANTE!** Use espaciadores con un máximo de 1/8" (3 mm) de espesor bajo el reborde de la bañera para asegurar que el reborde no haga contacto con la cubierta.

**NOTA:** Algunos modelos están equipados con patas de soporte; algunos modelos tienen soportes moldeados.

- Elija el método de instalación más apropiado para su instalación en particular. Siga las instrucciones correspondientes.

### Opción 1: Capa de cemento o mortero

**AVISO:** No utilice cemento de yeso o pasta para paneles de yeso, ya que estos materiales no proporcionan adherencia duradera.

- Si lo desea, puede colocar una película plástica sobre el subpiso de madera para evitar la absorción de humedad.
- Extienda una capa de 1" (25 mm) a 2" (51 mm) de cemento o cemento mortero en el subpiso.
- Obtenga ayuda para colocar con cuidado la bañera en su lugar sobre el material de la capa.
- Use espaciadores de un máximo de 1/8" (3 mm) bajo el reborde de la bañera, de manera que el reborde no haga contacto con la cubierta.
- Verifique que la bañera quede nivelada. Cambie la posición o coloque cuñas si es necesario.
- Ponga peso en el fondo de la bañera hasta que el cemento mortero o el cemento cure.

### Opción 2: Adhesivo de construcción

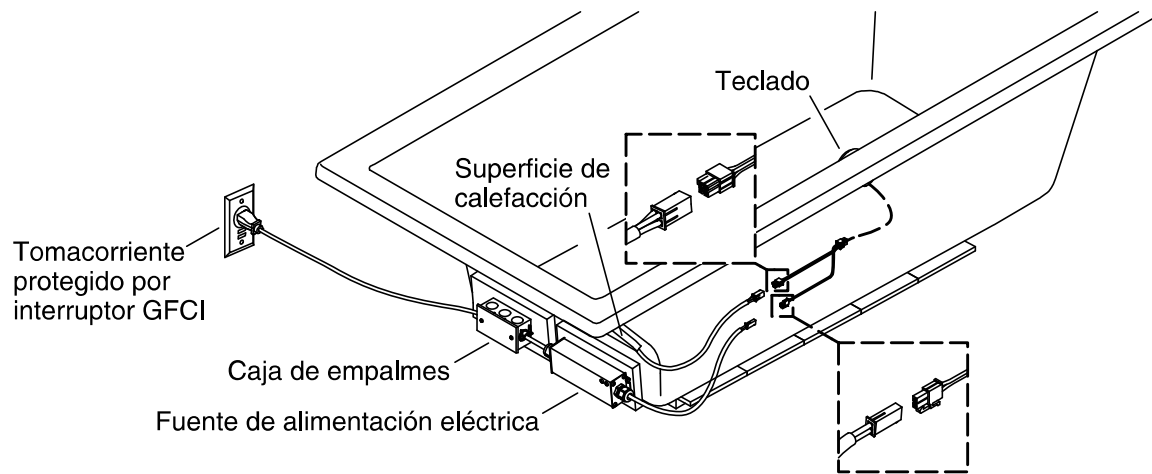
- Aplique una cantidad abundante de adhesivo de construcción de alta calidad en la parte inferior de las patas de soporte o de los soportes moldeados.
- Con ayuda, coloque con cuidado la bañera en su lugar.
- Use espaciadores de un máximo de 1/8" (3 mm) bajo el reborde de la bañera, de manera que el reborde no haga contacto con la cubierta.
- Verifique que la bañera esté nivelada y apoyada sobre todos los soportes. Cambie la posición o coloque cuñas si es necesario.
- Ponga peso en el fondo de la bañera hasta que el adhesivo cure.

### Instale la plomería

- Conecte el tubo final de desagüe a la boca de sifón.

**Instale la bañera (cont.)**

- Instale la válvula de la grifería.
- Revise que no haya fugas en las conexiones de desagüe.



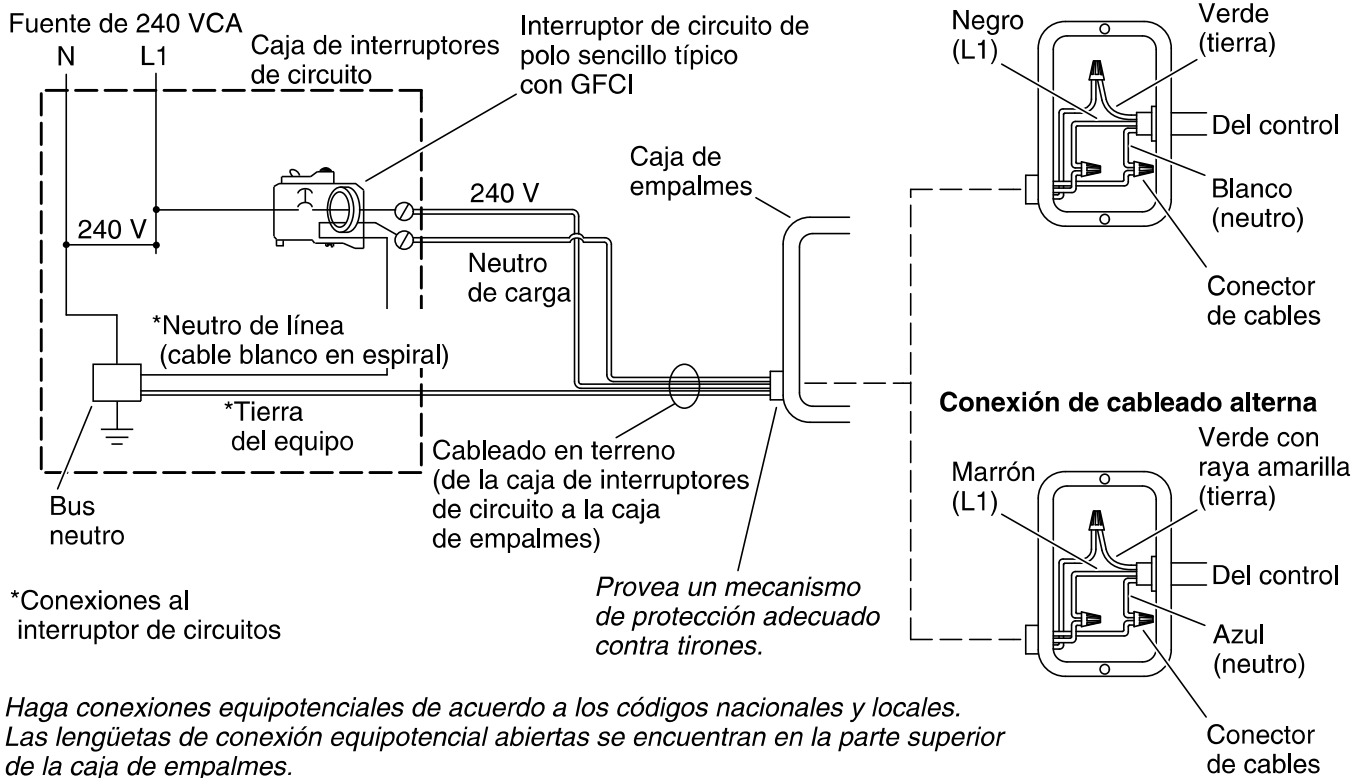
### 3. Instale un tomacorriente de – 120 V



**ADVERTENCIA: Riesgo de sacudidas eléctricas.** Conecte la fuente de suministro eléctrico a un tomacorriente conectado a tierra apropiadamente, protegido por un interruptor de circuito con pérdida a tierra (GFCI) o dispositivo de corriente residual (RCD). No retire del enchufe la clavija de conexión a tierra. No utilice un adaptador de conexión a tierra.

- Su bañera con superficie de calefacción está equipada con un cable y un enchufe. La fuente de suministro eléctrico viene cableada de fábrica. Un electricista calificado debe instalar un tomacorriente conectado a tierra, de 120 V, 15 A y protegido por un interruptor GFCI. Coloque el tomacorriente detrás de la bañera y a no más de 24" (610 mm) de distancia de la fuente de suministro eléctrico.
- **Para el kit inalámbrico de música:** El kit requiere la instalación de un tomacorriente cerca de donde se encuentre el amplificador. Consulte las instrucciones de instalación del kit de música.
- Enchufe el cable de suministro eléctrico en este tomacorriente.

## Conexión de cableado típica de 240 V



\*Conexiones al interruptor de circuitos

Haga conexiones equipotenciales de acuerdo a los códigos nacionales y locales. Las lengüetas de conexión equipotencial abiertas se encuentran en la parte superior de la caja de empalmes.

## 4. Haga las conexiones eléctricas – 240 V

**NOTA:** La capacidad eléctrica del producto está impresa en una etiqueta en el extremo lumbar de la bañera. La bañera con superficie de calefacción está diseñada para funcionar entre 110 V y 240 V, a 50 Hz o 60 Hz.



**ADVERTENCIA: Riesgo de sacudidas eléctricas.** Desconecte el suministro eléctrico antes de realizar los siguientes procedimientos.

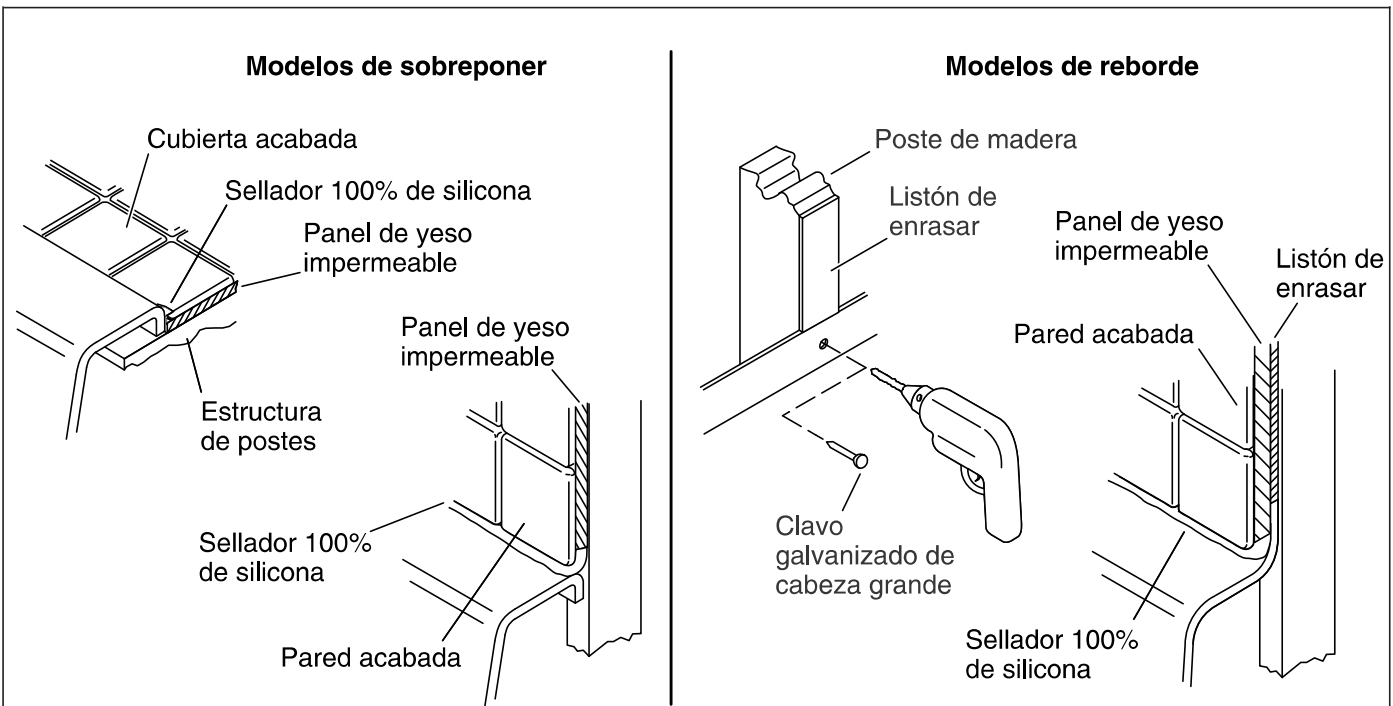


**ADVERTENCIA: Riesgo de sacudidas eléctricas.** Conecte la bañera a un interruptor de circuito con pérdida a tierra (GFCI) o a un dispositivo de corriente residual (RCD) para protección contra el peligro de sacudida eléctrica de línea a tierra.

**¡IMPORTANTE!** El cable blanco debe conectarse al terminal de neutro de carga en el interruptor GFCI o RCD. El cable verde es la **tierra del equipo**, y se tiene que conectar al bus neutro en la caja de interruptores de circuito principal.

**¡IMPORTANTE!** Algunos equipos e instalaciones varían. Para obtener detalles consulte "Conexión de cableado alterna", como se indica.

- Cumpla los códigos eléctricos locales. Haga conexiones equipotenciales de acuerdo a los códigos locales.
- Retire el tapón de 120 V del cable eléctrico en la caja de empalmes montada al tablero de control.
- Conecte el servicio eléctrico a la caja de empalmes con una conexión de enchufe de 240 V (no provisto) o cableado directo.
- **Para el kit inalámbrico de música:** El kit requiere la instalación de un tomacorriente cerca de donde se encuentre el amplificador. Consulte las instrucciones de instalación del kit de música.



## 5. Termine de hacer la instalación

**¡IMPORTANTE!** Kohler Co. recomienda enfáticamente el uso de sellador 100 % de silicona, como se indica en esta guía de instalación. Otros selladores pueden encogerse, separarse o despegarse al paso del tiempo.

### Pruebe el funcionamiento de la bañera

- Revise todas las conexiones eléctricas y asegúrese de que la bañera esté conectada al suministro eléctrico.
- Haga funcionar el teclado del usuario para probar los niveles de temperatura.
- Para obtener información adicional sobre el funcionamiento de la bañera, consulte la sección "Instrucciones de funcionamiento".

### Modelos de sobreponer:

- Si corresponde, retire con cuidado la cinta protectora del reborde de la bañera.
- Aplique un hilo continuo de sellador 100 % de silicona alrededor de todo el reborde de la bañera.
- Instale panel de yeso resistente al agua a la estructura de postes de madera.
- Aplique un hilo continuo de un mínimo de 1/8" (3 mm) de sellador 100 % de silicona para sellar todos los lugares donde hace contacto la bañera con paneles de yeso.

### Modelos de reborde:

- Taladre un pequeño orificio guía a través de la pestaña para clavar en cada poste de madera. Agregue cuñas para eliminar todas las separaciones.
- Clave listones de enrasar de 1/4" (6 mm) a los postes.
- Utilice clavos galvanizados de cabeza grande para fijar la pestaña para clavar a los postes.
- Instale el panel de yeso impermeable, dejando una separación de 1/8" (3 mm) entre el borde de la bañera y el panel de yeso.

### Todos los modelos

### Termine de hacer la instalación (cont.)

- Instale el material de acabado de la pared/cubierta a 1/8" (3 mm) del borde de la bañera para crear una ranura para el sellador 100 % de silicona.
- Aplique un hilo continuo de sellador 100 % de silicona de un mínimo de 1/8" (3 mm) en la ranura entre el borde de la bañera y la pared/cubierta acabada.
- Instale la guarnición de la grifería.

## Instrucciones de funcionamiento

### INSTRUCCIONES DE SEGURIDAD

### LEA Y SIGA TODAS LAS INSTRUCCIONES

### GUARDE ESTAS INSTRUCCIONES

#### INSTRUCCIONES RELATIVAS A LOS RIESGOS DE INCENDIO, SACUDIDA ELÉCTRICA O LESIONES PERSONALES



**ADVERTENCIA:** Al usar aparatos eléctricos siempre cumpla las precauciones básicas, como las siguientes:



**PELIGRO: Riesgo de lesiones personales o ahogamiento.** Para reducir el riesgo de lesiones, no permita que los niños usen este producto sin supervisión estricta en todo momento.



**ADVERTENCIA: Riesgo de lesiones personales.** Para evitar lesiones, tenga cuidado al entrar y al salir de la bañera.



**ADVERTENCIA: Riesgo de sacudidas eléctricas.** No coloque aparatos eléctricos (como secador de pelo, lámparas, teléfono, radio o televisión) a menos de 5 pies (1,5 m) de esta bañera.



**ADVERTENCIA: El uso de alcohol, drogas o medicamentos puede aumentar enormemente el riesgo de sufrir hipertermia fatal.** La inmersión prolongada en agua caliente puede producir hipertermia. Ocurre hipertermia cuando la temperatura interna del cuerpo alcanza un nivel varios grados más arriba de la temperatura corporal normal de 98,6°F (37°C). Los síntomas de hipertermia incluyen aumento de temperatura corporal interna, mareos, letargo, somnolencia y desfallecimiento. Los efectos de hipertermia incluyen: (a) incapacidad para percibir calor, (b) incapacidad para reconocer la necesidad de salir de la bañera, (c) inconsciencia de un peligro inminente, (d) daño al feto en mujeres embarazadas, (e) inhabilidad física para salir de la bañera y (f) pérdida del conocimiento con peligro de ahogarse.



**ADVERTENCIA: Riesgo de hipertermia.** Las personas bajo tratamiento médico o que padezcan de alguna condición médica deben consultar con un médico antes de utilizar una bañera equipada con un calentador.



**ADVERTENCIA: Riesgo de lesiones mortales.** Las mujeres embarazadas o que posiblemente estén embarazadas deben consultar a un médico antes de usar la bañera con superficie de calefacción.



**ADVERTENCIA: Riesgo de hipertermia o ahogamiento.** No utilice la bañera con superficie de calefacción inmediatamente después de hacer ejercicio.

## Instrucciones de funcionamiento (cont.)



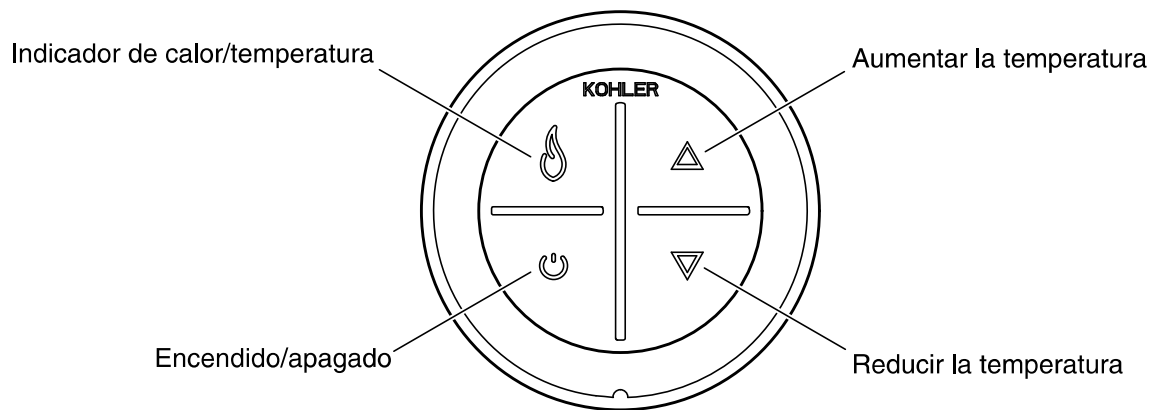
**ADVERTENCIA: Riesgo de hipotermia o ahogamiento.** La temperatura del agua superior a 100°F (38°C) puede causar lesiones. Pruebe y ajuste la temperatura del agua antes de usar la bañera.

Use esta bañera con calefacción únicamente con el fin para el que se ha fabricado, tal como se describe en esta guía. No use equipos adicionales que no recomiende Kohler Co.

La bañera con calefacción se debe conectar a un circuito protegido por un interruptor de circuito con pérdida a tierra (GFCI)\*. El instalador debe suministrar dicho interruptor GFCI, cuyo funcionamiento debe probarse en forma rutinaria. Para probar el GFCI, oprima el botón de prueba. El GFCI debe interrumpir el suministro eléctrico. Oprima el botón de restablecer (Reset). Esto debe restablecer el suministro eléctrico. Si el GFCI no funciona de esta manera, significa que está averiado. Si el GFCI interrumpe el suministro eléctrico a la bañera sin que se haya activado el botón de prueba, significa que fluye corriente a tierra, lo que indica la posibilidad de una sacudida eléctrica. No utilice esta bañera con calefacción. Desconecte el calentador, y antes de usar, haga que un representante de servicio calificado solucione el problema.

Su nueva bañera KOHLER está incluida en la lista de Underwriter's Laboratories, lo que asegura su seguridad y la de su familia. Asimismo, esta bañera cumple las estrictas normas de ANSI y de IAPMO, establecidas dentro de la industria de plomería.

\*Fuera de Estados Unidos, este dispositivo se conoce como dispositivo de corriente residual (RCD, por sus siglas en inglés).



## Instrucciones de funcionamiento

### Funcionamiento del teclado

- **Icono de encendido** - Enciende y apaga el calentador.
- **Indicador de calor/temperatura** - El icono [Flama] se ilumina en amarillo, anaranjado o rojo de acuerdo al nivel de calor. Amarillo indica calor bajo, anaranjado indica calor medio, y rojo indica calor alto.
- **Flecha hacia arriba** - Aumenta la temperatura.
- **Flecha hacia abajo** - Disminuye la temperatura.

**AVISO:** El calentador permanece encendido hasta que se apaga manualmente al presionar el icono [Encendido].

**NOTA:** Después de 60 minutos de inactividad, el calentador se restablece automáticamente a calor bajo si la temperatura se encontraba en la selección de temperatura media o alta.

**NOTA:** El calentador se enciende a la última selección de temperatura.

### Códigos de error

- **El indicador de calor parpadea en rojo** - El calentador no está funcionando.
- **El indicador de calor parpadea en amarillo** - El sensor de temperatura no está funcionando o está suelto.
- Consulte la sección "Guía para resolver problemas" para solucionar problemas.

### Confirme el funcionamiento del sistema de calefacción

- Oprima el icono [Encendido] en el teclado del usuario.
- Observe que el indicador de calor se ilumine en amarillo y que el calentador produzca calor a baja temperatura.
- Oprima la flecha [Hacia arriba]. Verifique que el indicador de calor se ilumine en anaranjado y que aumente la temperatura.
- Oprima la flecha [Hacia arriba] por segunda vez. Verifique que el indicador de calor se ilumine en rojo y que aumente la temperatura.
- Oprima la flecha [Hacia abajo]. Verifique que el indicador de calor se ilumine en anaranjado y que disminuya la temperatura.

## Instrucciones de funcionamiento (cont.)

- Oprima la flecha [Hacia abajo] por segunda vez. Verifique que el indicador de calor se ilumine en amarillo y que disminuya la temperatura.
- Oprima el icono [Encendido] para apagar el calentador.

## Cuidado y limpieza

Para obtener los mejores resultados, tenga presente lo siguiente al limpiar su producto KOHLER:

- Siempre pruebe la solución de limpieza en un área oculta antes de aplicarla a toda la superficie.
- Limpie con un paño las superficies, y enjuague completa e inmediatamente con agua después de haber aplicado algún limpiador. Enjuague y seque las superficies cercanas donde hayan caído salpicaduras.
- No deje mucho tiempo los limpiadores en las superficies.
- Utilice una esponja humedecida, o un paño suave y húmedo. Para limpiar las superficies nunca utilice materiales abrasivos, como cepillos o estropajos.

Para obtener información detallada de limpieza y de productos a considerar, visite [www.kohler.com/clean](http://www.kohler.com/clean). Para solicitar información sobre cuidado y limpieza, llame al 1-800-456-4537.

## Resolución de problemas

El propósito de esta sección es solo ayuda general. Todos los problemas eléctricos deben ser resueltos por un representante de servicio autorizado de Kohler Co. o un electricista capacitado. Para obtener el servicio de garantía, llame 1-800-4KOHLEER desde EE.UU. y Canadá, o al 001-800-456-4537 desde México.

**NOTA:** El número de modelo del producto se encuentra en el lado del calentador de la bañera.

**NOTA:** Para consultar información sobre piezas de repuesto, visite la página de su producto en [kohler.com](http://kohler.com).

### Resolución de problemas

Síntomas	Causa probable	Acción recomendada
1. La bañera con calefacción no se enciende.	<p><b>A.</b> La fuente de suministro eléctrico no recibe alimentación.</p> <p><b>B.</b> El cable para el teclado del usuario está suelto o dañado.</p> <p><b>C.</b> El teclado del usuario no funciona.</p> <p><b>D.</b> La fuente de suministro eléctrico no funciona.</p>	<p><b>A.</b> Establezca o restablezca el interruptor GFCI o RCD; revise el cableado.</p> <p><b>B.</b> Revise las conexiones de los cables. De ser necesario, cambie el cable del teclado del usuario.</p> <p><b>C.</b> Revise las conexiones de los cables. Cambie el teclado del usuario.</p> <p><b>D.</b> Cambie la fuente de suministro eléctrico.</p>
2. La bañera está encendida, pero el calor es muy poco o no calienta.	<p><b>A.</b> El cable del calentador está suelto o dañado.</p> <p><b>B.</b> El calentador/aislamiento está suelto en la bañera.</p> <p><b>C.</b> El indicador de calor está amarillo o anaranjado.</p> <p><b>D.</b> El calentador no funciona.</p> <p><b>E.</b> El sensor de temperatura no funciona.</p>	<p><b>A.</b> Revise las conexiones de los cables. De ser necesario, cambie el cable del calentador.</p> <p><b>B.</b> Fije el calentador/aislamiento a la bañera.</p> <p><b>C.</b> Oprima la flecha [Hacia arriba] para aumentar la temperatura.</p> <p><b>D.</b> Cambie el calentador.</p> <p><b>E.</b> Cambie el calentador.</p>
3. La temperatura no se restablece automáticamente a nivel bajo después de 1 hora.	<p><b>A.</b> El sensor de temperatura no funciona.</p>	<p><b>A.</b> Cambie el calentador y/o el teclado.</p>

## Resolución de problemas (cont.)

### Resolución de problemas

Síntomas	Causa probable	Acción recomendada
4. El indicador de calor parpadea en rojo.	A. Es necesario restablecer el sistema de calefacción. B. El calentador no funciona.	A. Oprima el icono [Encendido] para apagar el suministro eléctrico. Espere 10 segundos, y luego vuelva a encender. B. Cambie el calentador.
5. El indicador de calor parpadea en amarillo.	A. Es necesario restablecer el sistema de calefacción. B. El sensor de temperatura no funciona.	A. Oprima el icono [Encendido] para apagar el suministro eléctrico. Espere 10 segundos, y luego vuelva a encender. B. Cambie el calentador.

## Garantía

### GARANTÍA LIMITADA DE UN AÑO

Se garantizan los productos de plomería KOHLER contra defectos de material y mano de obra durante un año a partir de la fecha de instalación.

Kohler Co., a su criterio, reparará, reemplazará o realizará los ajustes pertinentes en los casos en que la inspección realizada por Kohler Co. determine que dichos defectos hayan ocurrido durante el uso normal en el transcurso de un (1) año a partir de la fecha de instalación. Kohler Co. no se hace responsable de costos de desinstalación o de instalación. **El uso de limpiadores de inodoro que se colocan dentro del tanque anula la garantía.**

Para obtener el servicio de garantía, comuníquese con Kohler Co. a través de su distribuidor, contratista de plomería, centro de remodelación o distribuidor por Internet, o escriba a Kohler Co., Atención: Customer Care Center, 444 Highland Drive, Kohler, WI 53044, EE.UU., o llame al 1-800-4-KOHLER (1-800-456-4537) desde los EE.UU. y Canadá, o al 001-800-456-4537 desde México, o visite [www.kohler.com](http://www.kohler.com) desde los EE.UU., [www.ca.kohler.com](http://www.ca.kohler.com) desde Canadá, o [www.mx.kohler.com](http://www.mx.kohler.com) en México.

**TODA GARANTÍA IMPLÍCITA, INCLUIDA LA DE COMERCIALIZACIÓN E IDONEIDAD DEL PRODUCTO PARA UN USO DETERMINADO, SE LIMITA EXPRESAMENTE A LA DURACIÓN DE ESTA GARANTÍA. KOHLER CO. Y/O EL VENDEDOR DESCARGAN TODA RESPONSABILIDAD POR CONCEPTO DE DAÑOS PARTICULARES, INCIDENTALES O INDIRECTOS.** Algunos estados/provincias no permiten limitaciones en cuanto a la duración de una garantía implícita o a la exclusión o limitación de daños particulares, incidentales o indirectos, por lo que es posible que estas limitaciones y exclusiones no se apliquen a su caso. Esta garantía le otorga ciertos derechos legales específicos. Además, usted también puede tener otros derechos que varían de estado a estado y de provincia a provincia.

Esta es la garantía exclusiva por escrito de Kohler Co.

## Garantía

### Para México

KOHLER CO.

Se recomienda que al momento de compra se verifique que todos los accesorios y componentes estén completos en esta caja.

Se garantiza este producto Kohler contra defectos en material y mano de obra durante un (1) año a partir de la fecha de compra que aparezca en la factura o en el recibo.

1. Kohler Co. prestará servicio únicamente a los productos comercializados a través de sus distribuidores autorizados.

## **Garantía (cont.)**

2. Para obtener el servicio de garantía, favor de presentar la factura de compra y la garantía correspondiente.
3. Kohler Co., a través de sus distribuidores autorizados, se compromete a reparar el producto defectuoso o, cuando la reparación no sea posible, reemplazarlo por uno nuevo o por un modelo equivalente (en caso de que el producto haya sido discontinuado) sin ningún cargo al consumidor.
4. El tiempo de reparación no excederá seis (6) semanas a partir de la fecha de recepción del producto.
5. Se recomienda al consumidor que conserve el recibo o la factura de compra como protección adicional, pues el mismo puede sustituir a la garantía en caso de que exista discrepancia en cuanto a la validez de la misma.

### **EXCEPCIONES Y RESTRICCIONES**

La garantía no tendrá validez en los siguientes casos:

1. Cuando el producto no se utilice conforme a las instrucciones de uso y funcionamiento que se incluyen en el manual del usuario o en las instrucciones de instalación, y cuando no observen las recomendaciones y las advertencias provistas.
2. Cuando el producto se haya modificado o desmantelado parcial o totalmente, o manipulado de manera negligente y, como consecuencia, haya sufrido daños atribuibles al consumidor, a personas o a herrajes no autorizados por Kohler Co.
3. Esta garantía no cubre los daños que resulten de desastres naturales, tales como incendios o casos de fuerza mayor, como inundaciones, terremotos, tormentas eléctricas, etc. Para obtener una lista de distribuidores cerca de usted y así hacer valer sus derechos bajo esta garantía, llame al 001-800-456-4537.

KOHLER CO., KOHLER, WI 53044 U.S.A.

### **IMPORTADOR:**

COMERCIALIZADORA INTERCERAMIC, S.A. DE C.V.

AV. CARLOS PACHECO NO. 7200, COL. MADERA 65

CHIHUAHUA, CHIH., MÉXICO C.P. 31060

R.F.C. CIN141022IE9

TEL: 52 (614) 429-11-11

### **IMPORTADOR:**

GAMA MATERIALES Y ACEROS, S.A. DE C.V.

AVE. LOS ÁNGELES NO. 1800

COL. VALLE DEL NOGALAR, SAN NICOLÁS DE LOS GARZA

N.L. MÉXICO

R.F.C. GMA901220U11

TEL: 81-1160-5500







USA/Canada: 1-800-4KOHLER

México: 001-800-456-4537

[kohler.com](http://kohler.com)

THE BOLD LOOK  
OF **KOHLER**®

©2017 Kohler Co.

1196030-2-E