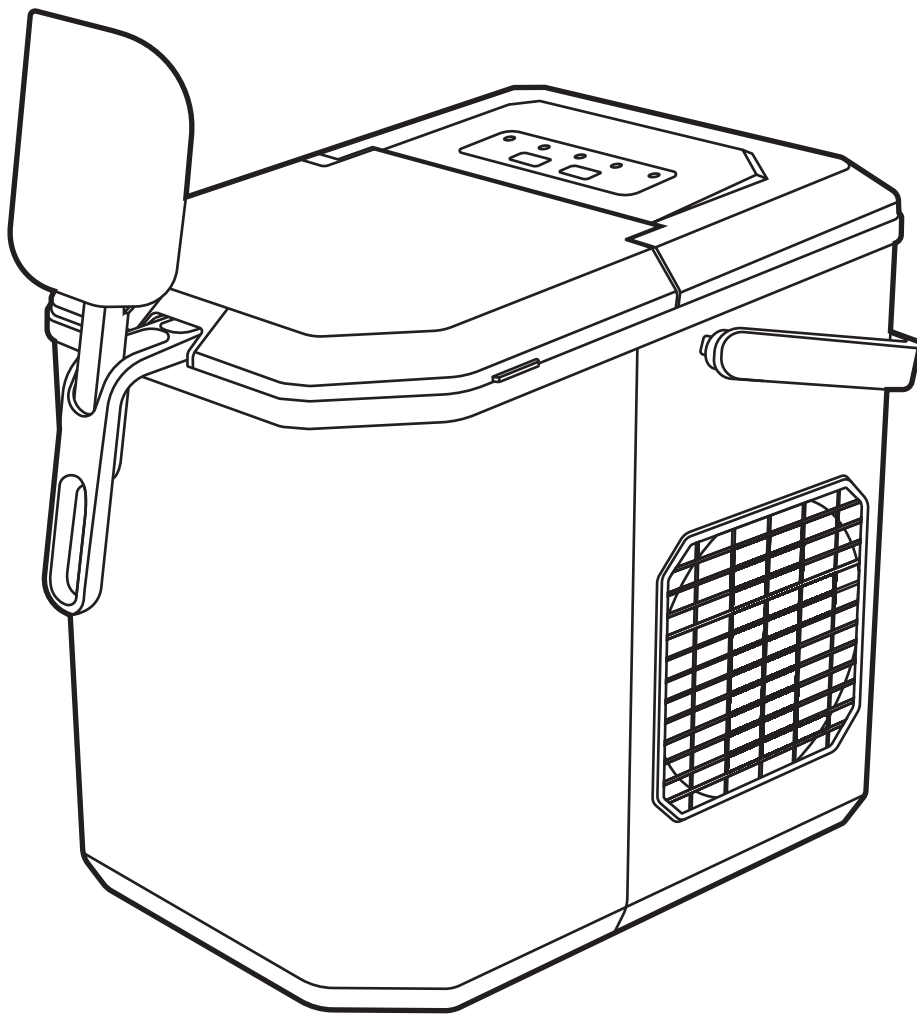


Countertop Ice Cube Maker with Handle

Instruction Manual



THIS INSTRUCTION BOOKLET CONTAINS IMPORTANT SAFETY INFORMATION.
PLEASE READ AND SAVE IT FOR FUTURE REFERENCE.

TABLE OF CONTENTS

IMPORTANT SAFETY INSTRUCTIONS.....	1
PREPARING YOUR ICE MAKER FOR USE.....	1
GETTING TO KNOW YOUR UNIT.....	3
AUTOMATIC SELF-CLEANING PROGRAM.....	3
OPERATING PROCEDURES & MAINTENANCE.....	4
USING YOUR ICE MAKER.....	7
TROUBLESHOOTING.....	8
TECHNICAL PARAMETERS.....	9
CIRCUIT DIAGRAM.....	9
EXPLOSIVE DRAWINGS.....	10

IMPORTANT SAFETY INSTRUCTIONS

Your safety and the safety of others are very important.

We have provided important safety information in this manual. Always read and obey all safety information.

This is the safety alert symbol: 

All safety information will follow the safety alert symbol and the word "DANGER" or "WARNING".

 **DANGER**

 **WARNING**

These words mean:

If you do not follow the instructions strictly, you may endanger your life or be seriously injured.

The safety information will inform you of the potential dangers associated with the incorrect use of the product, how to minimize the possibility of injury, and the possible consequences of not following the instructions.


PREPARING YOUR ICE MAKER FOR USE

When using electrical appliances, basic safety precautions should be followed to reduce the risk of fire, electric shock, and injury to persons or property. Read all instructions before using any appliance.

- Do not operate this or any other appliance with a damaged cord. If the supply cord is damaged, it must be replaced by the manufacturer or its service agent, or a similarly qualified person in order to avoid a hazard. This ice-maker must be positioned so that the plug is accessible. Connect to properly polarized outlets only. No other appliance should be plugged into the same outlet. Be sure that the plug is fully inserted into the electrical outlet.
- Do not run the power cord over carpeting or other heat insulators. Do not cover the cord. Keep the cord away from traffic areas, and do not submerge it in water.
- We do not recommend the use of an extension cord, as it may overheat and become a risk of fire. If you must use an extension cord, use a No. 14 AWG minimum size with a rating of no less than 1875 watts.

- Unplug the ice maker before cleaning or making any repairs or servicing.
- Exercise caution and use reasonable supervision when appliance is used near children.
- Do not use your ice-maker outdoors. Place the ice-maker away from direct sunlight and make sure that there is at least 6 inches of space between the back of your unit and wall. Keep a minimum distance of 6 inches on each side of your unit free.
- Do not use other liquid to make the ice-cube other than water.
- Do not clean your ice maker with flammable fluids. The fumes can create a fire hazard or explosion.
- Do not tip over.
- If the ice maker is brought in from outside in wintertime, give it a few hours to warm up to room temperature before plugging it in.

WARNING: This appliance must be earthed.

-  **DANGER – Risk Of Fire Or Explosion. Flammable Refrigerant Used. To Be Repaired Only By Trained Service Personnel. Do Not Puncture Refrigerant Tubing.**
- **CAUTION – Risk Of Fire Or Explosion. Flammable Refrigerant Used. Consult Repair Manual/Owner’s Guide Before Attempting To Install or Service This Product. All Safety Precautions Must be Followed.**
- **CAUTION – Risk Of Fire Or Explosion. Dispose Of Property In Accordance With Federal Or Local Regulations. Flammable Refrigerant Used .**
- **CAUTION–Risk Of Fire Or Explosion Due To Puncture Of Refrigerant Tubing;Follow Handling Instructions Carefully. Flammable Refrigerant Used.**
- The ice maker should be installed in accordance with the safety standard for Refrigeration Systems, ASHRAE15. The ice maker shall not be installed in corridors or hallways of public buildings.
- If the unit is with problem need to be maintained, that replacing with like components and that servicing shall be done by factory authorized service personnel, so as to minimize the risk of possible ignition due to incorrect parts or improper service.

IMPORTANT

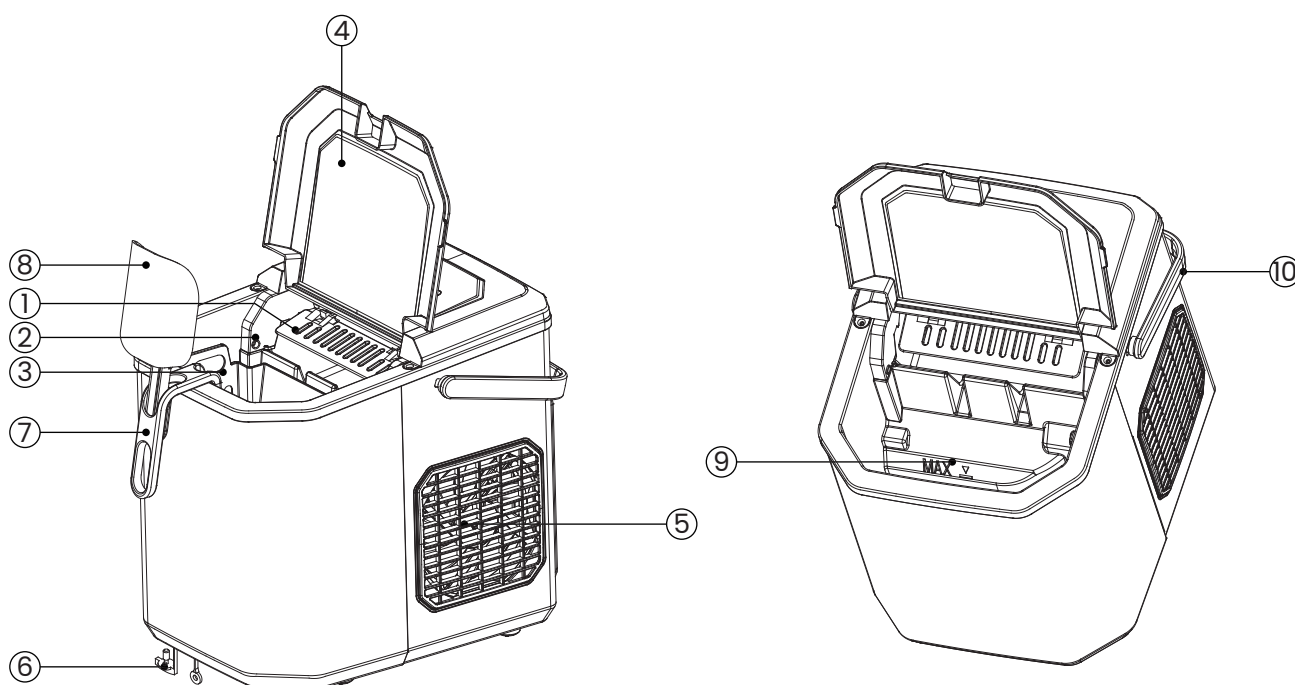
The wires attached to this machine are colored according to the following code:

[Green] or [Green with a yellow strip]:	Grounding
[White]:	Neutral
[Black]:	Live

To avoid a hazard due to the instability of the appliance, the appliance must be placed on an even or flat surface.

GETTING TO KNOW YOUR UNIT

1. Ice scoop.
2. Ice full sensor
3. Ice basket
4. Top cover with transparent window
5. Air exhausting
6. Water drain cap: at front btm side of the unit.
7. Ice basket handle
8. Ice scoop
9. MAXIMUM WATER LEVEL: _____ ▲ _____
Remove the ice basket, you can see the water level mark.
10. Handle



AUTOMATIC SELF-CLEANING PROGRAM

Plug on the unit, press "ON/OFF" button on control panel for more than 5 seconds, to enter the self-Cleaning program need 30 minutes, the "S, L" indicator flashes in turn during cleaning. After cleaning, Drain the water from the inner tank through the drainage outlet at the bottom of the machine.

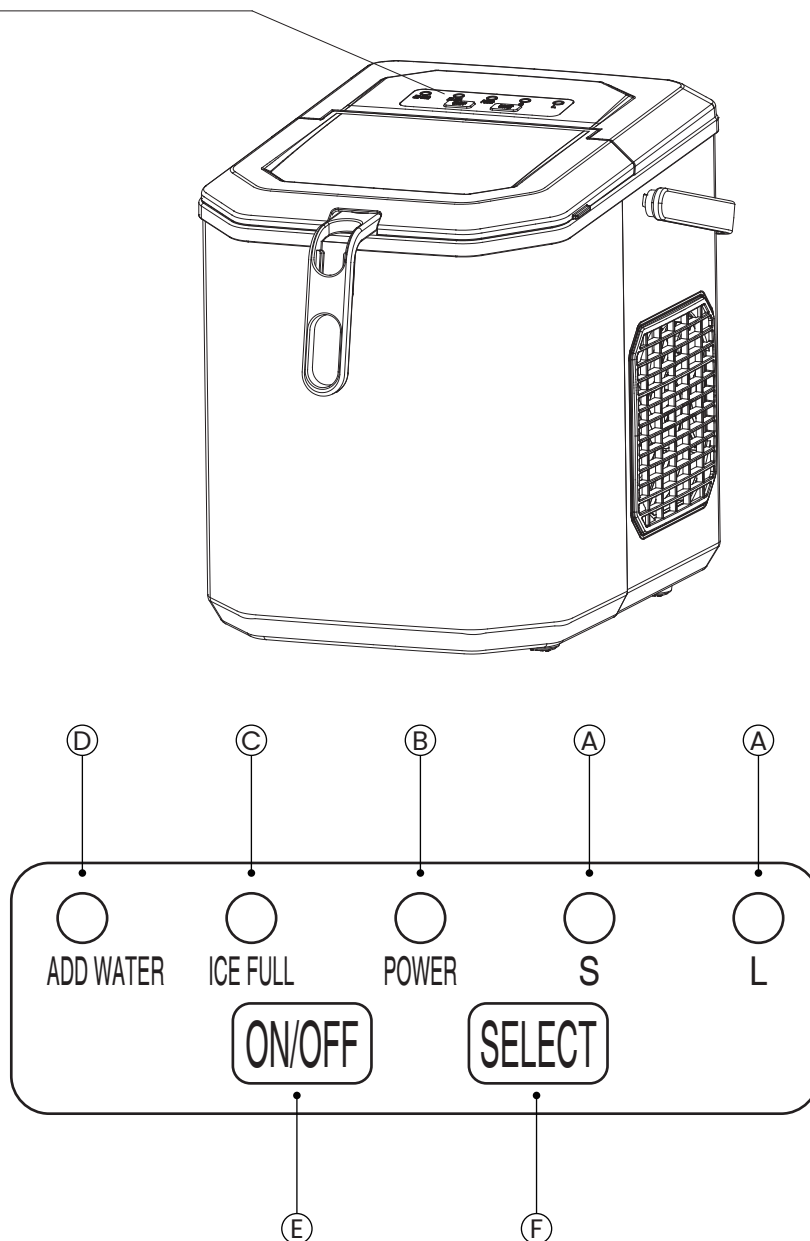
OPERATING PROCEDURES & MAINTENANCE

Position of control panel & function

Control Panel: Easy to use, visible functions touch display setting.

- A. Selected ice size displaying: Small and Large.
- B. Power indicator
- C. Ice-Full indicator
- D. Water shortage indicator
- E. Button to turn on/off the unit.
- F. Button to select ice cube size.

Control Panel



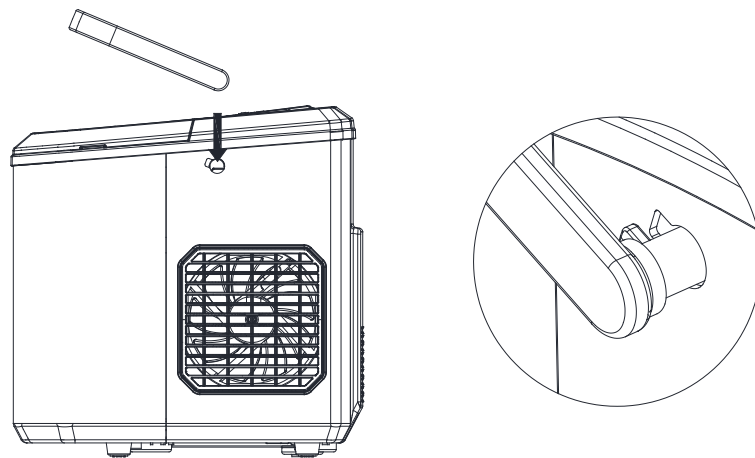
Unpacking Your Ice Maker

1. Remove the exterior and interior packaging. Check if ice basket and ice scoop inside. If any parts are missing, please contact our customer service.
2. Remove the tapes for fixing ice shovel, ice basket & ice scoop. Clean the tank & ice basket.
3. Put the ice maker on a level & flat counter top without direct sunlight and other sources of heat (i.e.: stove, furnace, radiator). Make sure that there is at least 4 inches gap between the back & LH/RH sides with the wall.
4. Allow one hour for the refrigerant fluid to settle before plugging the ice maker in.
5. The appliance must be positioned so that the plug is accessible.

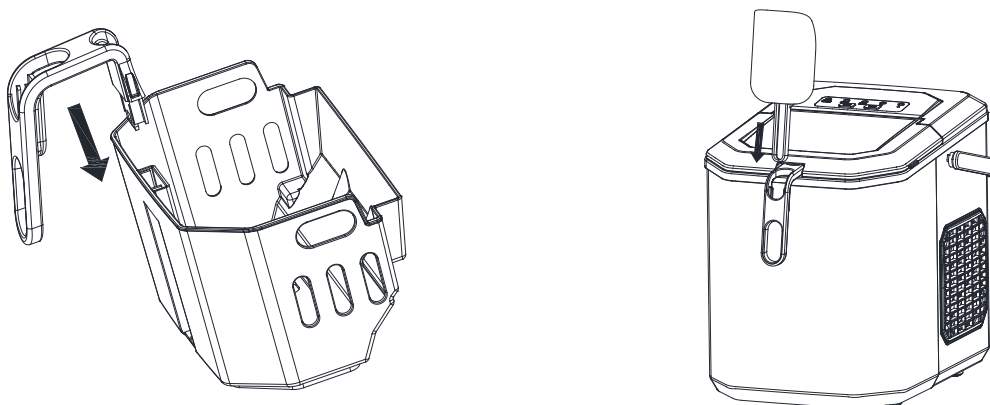
WARNING: fill with potable water only. Only use drinking water.

Assemble Handle

Rotate the handle to the same angle as the mounting hole on the machine, Put It on the machine.



The ice basket handle gets stuck in the ice basket.
The ice spoon can be placed on the handle of the ice basket.



Connecting Your Ice Maker



***Improper use of the grounded plug can result in the risk of electrical shock. If the power cord is damaged, please call our customer service.**

1. This unit should be properly grounded for your safety. The power cord of this appliance is equipped with a grounding plug which mates with standard grounding wall outlets to minimize the possibility of electric shock.
2. Plug your appliance into an exclusive, properly installed, grounding wall outlet. Do not under any circumstances; damage the grounding means of the plug. Any questions concerning power and/or grounding should be directed toward a certified electrician.
3. This appliance requires a standard 110-120Volt, 60Hz electrical outlet with good grounding means.

Cleaning And Maintaining Your Ice Maker

Before using your ice maker, it is strongly recommended to clean it thoroughly.

1. Take out the ice basket.
2. Clean the interior with diluted detergent, warm water and a soft cloth.
3. Then use the water to rinse the inside parts, and drain out the water by unplugging the drain cap on front bottom side.
4. The outside of the ice maker should be cleaned regularly with a mild detergent solution and warm water.
5. Dry the interior and exterior with a clean soft cloth.
6. When the machine is not to be used for a long time, drain water completely & dry the interior.

USING YOUR ICE MAKER

1. Open the cover, remove the ice basket, and pour water into the tank. Keep the water level below the maximum water level mark.
2. Press the ON/OFF button on the control panel to begin the ice-making cycle.
3. Select the ice cube size by pressing the SELECT button. If the room temperature is lower than 60°F, it is recommended to select the small ice cube size in order to avoid the possibility of ice sticking together.
4. The ice-making cycle lasts approximately 6 to 13 minutes, depending on the selected size of the ice cube and the room temperature. The recommended room temperature is between 50°F to 105°F.
5. If the water pump cannot supply more water, the ice maker will stop automatically, and the ADD WATER indicator will light up on the control panel. Press the ON/OFF button and fill the water up to the maximum water level mark. Press the ON/OFF button again to restart the unit. Allow the refrigerant liquid inside the compressor to settle for at least 3 minutes before restarting.
6. When the ice basket is full, the ice maker will stop and the ICE FULL indicator on the control panel will light up. Warning: exposure to direct sunlight or the reflections of sunlight may cause the infrared sensor to malfunction. If the device cannot be paused even if ice blocks the sensor, please move the device to a place without sunlight.
7. Change the water in the water tank every 24 hours to ensure an appropriate hygiene level. If the unit will not be used for a while, drain all the water and dry the tank.

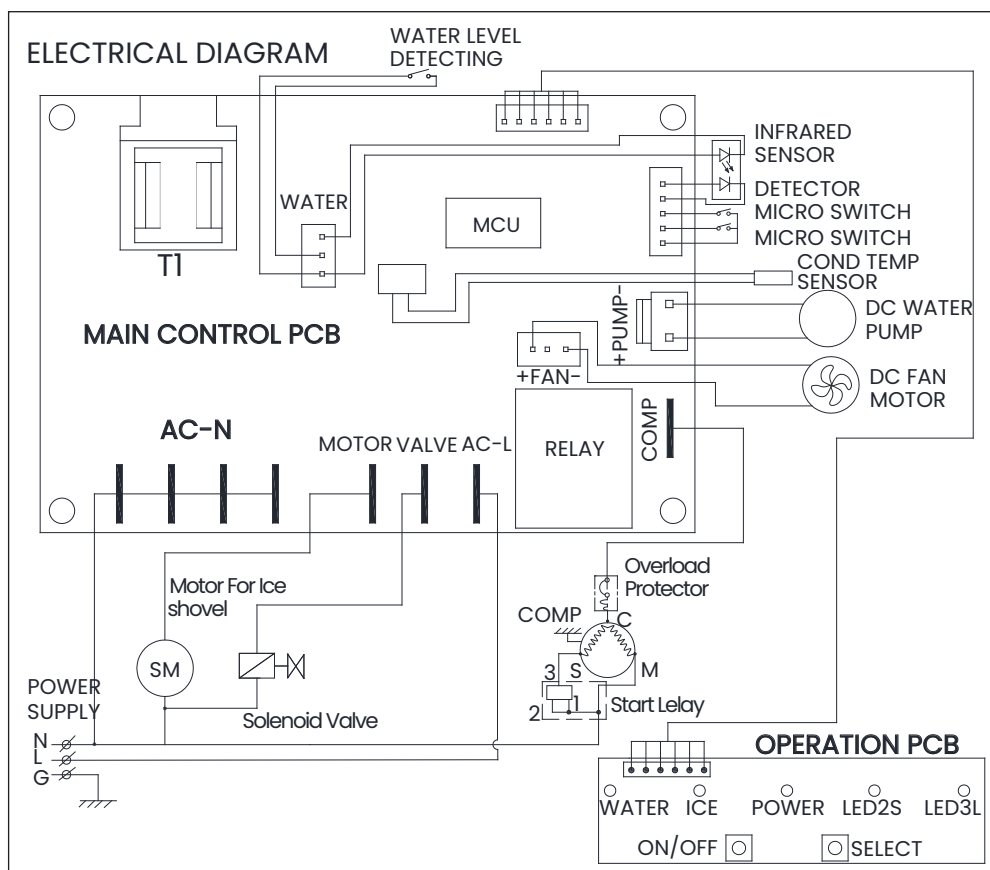
TROUBLESHOOTING

PROBLEM	POSSIBLE CAUSE	SOLUTION
ADD WATER indicator is on.	Lack of water.	Power the device off, fill it with water, and press the ON/OFF button again to restart the unit.
ICE FULL indicator is on.	The ice basket is full.	Empty the ice basket. Long press SELECT for 5 seconds. The unit can make 10 cycles of ice even while the ICE indicator is on.
Ice cubes stick together.	The ice-making cycle is too long.	Power the device off. Restart the unit when the ice blocks melt. Select "S" on the control panel to make small ice cubes.
	The water temperature in the inner tank is too low.	Change the water in the tank. The recommended temperature of the water is between 40°F-90°F.
The ice-making cycle is normal but no ice is produced.	The water in the inner tank is too low.	The room temperature should be between 50°F-105°F. The water temperature should be between 40°F-90°F.
	Refrigerant liquid leakage in the cooling system.	Verify with a qualified technician.
	Blocked pipe in the cooling system.	Verify with a qualified technician.

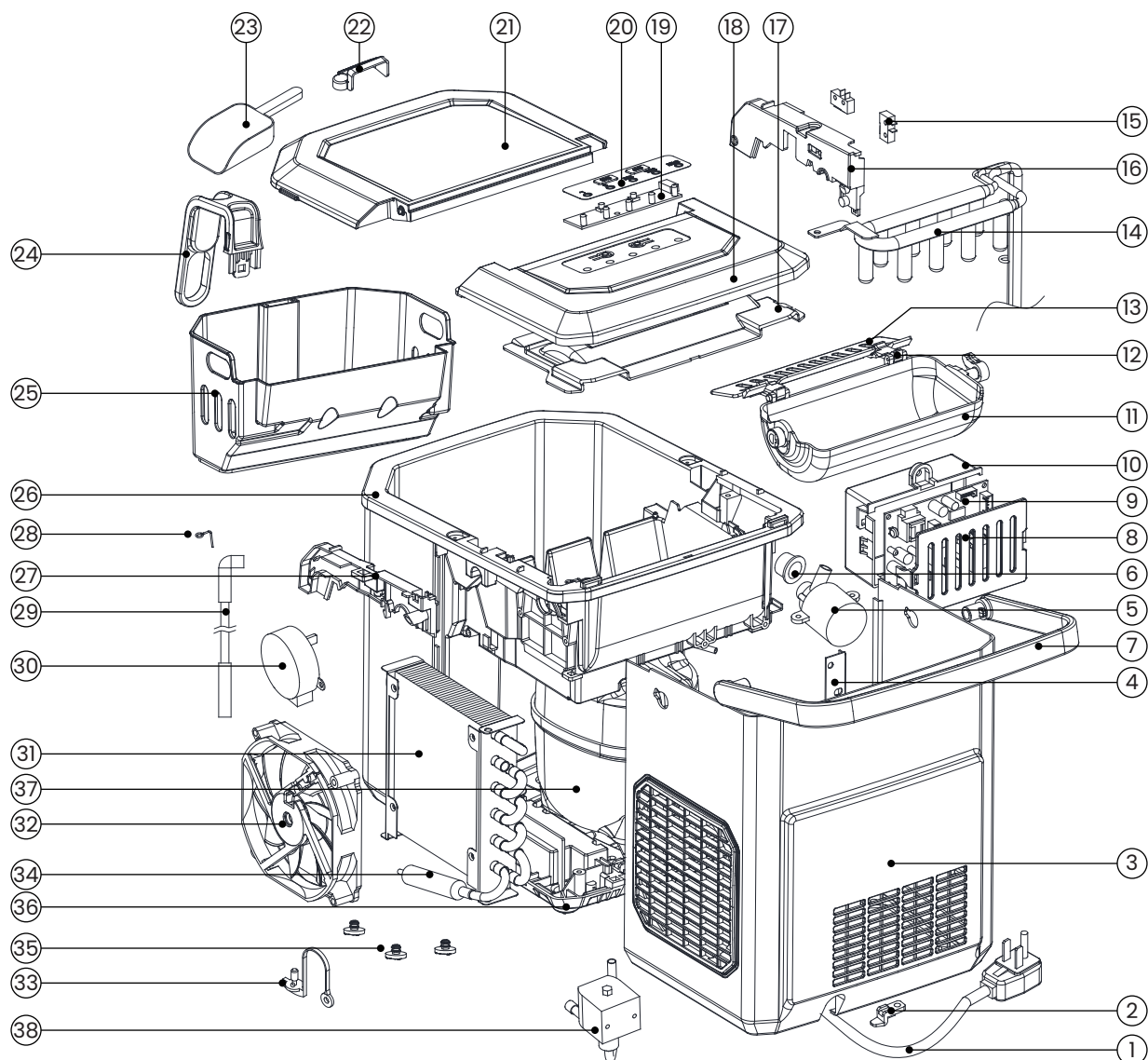
TECHNICAL PARAMETERS

Model	VH1179
Protection Type	I
Power	115V/60Hz
Ice Making Current	1.5A
Ice Harvest Current	1.8A
Refrigerant	R600a 0.74 oz. / 21g
Design Pressure	High side: 290 Psig
	Low side: 88 Psig
Vesicant	C ₅ H ₁₀
Net Weight	6.3kg (16.7 lbs)
Dimension (W * D *H)	222x290x294mm (8.7x11.4x11.2 inch)
Enclosure	Plastic

CIRCUIT DIAGRAM



EXPLOSIVE DRAWINGS



S/N	Part description	Qty/Per	S/N	Part description	Qty/Per	S/N	Part description	Qty/Per
1	Power cord	1	14	Evaporator	1	27	Stainless wire	1
2	plastic clip	1	15	Micro switch	2	28	Water supply pipe	1
3	Back panel	1	16	Inner tank bracket, LH	1	29	Synchronous motor	1
4	Plate back support	1	17	Back btm panel	1	30	Condenser	1
5	DC water pump	1	18	Back top panel	1	31	DC fan motor	1
6	Silicon pump sealing	1	19	Displaying PCB	1	32	Nylon plug drain	1
7	Handle	1	20	Touch pad	1	33	Copper tube filter	1
8	Control box cover	1	21	Front top panel	1	34	Rubber foot	3
9	Main PCB	1	22	Water filter	1	35	Plastic bottom	1
10	Control box	1	23	Ice scoop	1	36	Compressor	1
11	Ice making box	1	24	Ice basket	1	37	Magnetism valve	1
12	Ice scoop link	2	25	Foaming asm	1	38	Internal wire	1
13	Ice shovel	1	26	Inner tank bracket, RH	1			



NOTE:

To continuously improve its products, VIVOHOME reserves the right to modify this information without prior notification.

For any questions regarding assembly, please watch the video on the product page or contact our customer service. Our customer service will gladly assist you with any additional questions, comments, or concerns.

Thank you for using VIVOHOME products in your home!

Thank You For Purchasing From
VIVOHOME
MADE IN CHINA