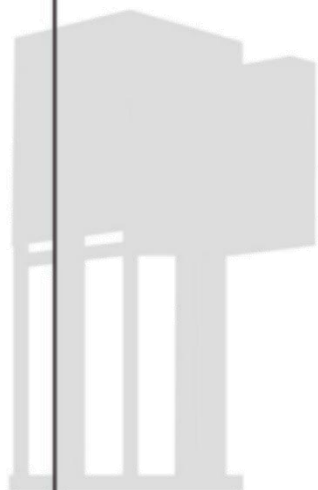




OPERATIONS MANUAL



Instruction



### **Where to Place Your Outdoor Wall Lights**

If you have one light next to your entryway or garage door, then it should be  $\frac{1}{3}$  of the height of the door. If you will be placing one light on each side of the door, then the lights should be  $\frac{1}{4}$  of the height of the door. To do this, measure from the floor to the top of your door, then divide by 4 for two lights or 3 for one light. For example, if your door is 80" tall, divide by 4, and buy two lights that are each 20" tall. The lights should also be placed 66" from the floor or ground to properly illuminate the lock and handle. Lights should also be placed 6" from the edge of the door. If you choose to have only one light, make sure it is placed on the side of the door closest to the door handle.

## Assembly & Installation Instructions

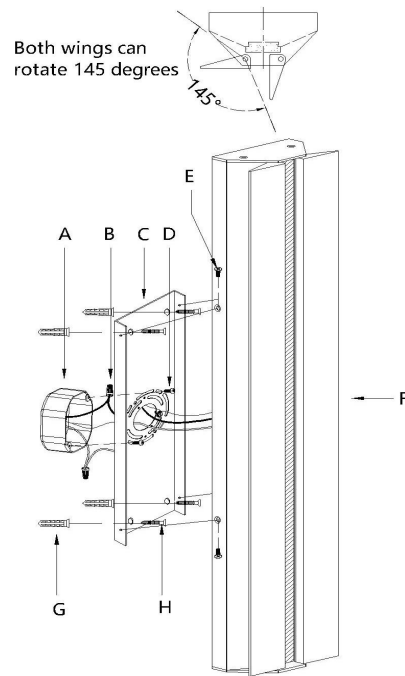
Dear Customer :

Thank you for choosing us!

We appreciate your business. Should you have any questions or encounter any issues, please don't hesitate to contact us. Our team is dedicated to ensuring your complete satisfaction with your purchase. We value your feedback, as it helps future customers in making informed decisions. We encourage you to share your experience by leaving a brief product review on the platform where you made the purchase. Once again, thank you for choosing us!

Best regards!

[Support Team]



Built-in LED light source, no need for additional bulbs

### Drawin g 1

After securing fixture to the wall it is recommended that the gap between the wall and the fixture backplate be sealed on the top and both sides, with a good quality waterproof caulk or silicone sealant (NOT INCLUDED)-see Drawing 1.



## WIRE CONNECTION DIAGRAM

Wires meeting safety standards are required to connect the electrical circuit.

**CAUTION:** Risk of fire



Please read all instructions carefully. Before you proceed to install, make sure that the power supply is turned off and remains off until installation is completed.

## PARTS INCLUDED

Code	Part Description	QTY
A	Junction box	0
B	Wire caps	3
C	Mounting bracket	1
D	Mounting screws1	2
E	Mounting screws2	4
F	Lamp body	1
G	Expansion hose	4
H	tapping screw	4

**Warning:** If any special control devices are used with this fixture, follow the instructions carefully to assure full compliance with N.E.C.requirements. If there are any questions, contact a qualified electric contractor.

**Warning:** California Residents Proposition 65 This product contains lead, a chemical known to the state of California to cause cancer and birth defects or other reproductive harm. Do not place the product in your mouth. Wash your hands after handling this product.

**Caution:** It is highly recommended to get an electrician to install this light. Please make sure to turn the electricity off at the main circuit breaker before beginning installation. All glass is fragile.Use care when handling glass component(s)and/or lamp(s).

### Installation steps:

- Step 1: Unscrew screw E from the lamp body and remove the hanging plate C;
- Step 2: Knock the expansion glue plug G into the wall, Use screw H to lock the hanging board C in the expanding rubber tube.;
- Step 3: Use screw D to lock the hanging board C on the wiring box A
- Step 4: With the terminal B, connect the black, white, ground wire and input line respectively with the lamp body;
- Step 5: Use lock E to lock the lamp body F on the hanging board C.;
- Installation complet

Tip: This lamp has a three-color dimming function (3000K/4000K/5000K), which can be switched via the wall switch, and comes with a memory function.

