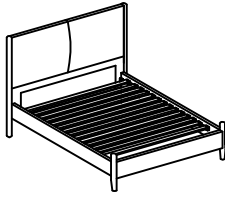


ASSEMBLY INSTRUCTION

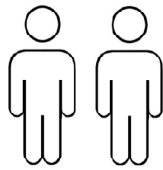
T



+ Do Not Use Power Tools



+ Suggested Adults



NOTE:

- 1 Read instructions cover to cover.
- 2 Save all packaging until assembly is completed.

1 IMPORTANT SAFETY INFORMATION

Do not assemble the product if any of the following parts arrived damaged:

- Part # - Side Rails
- Part # - Center Support Bar
- Part # - Support Legs
- Part # - Slats

2 IMPORTANT ASSEMBLY INFORMATION

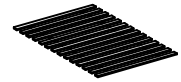
Assembly Step Ensure the side rail bracket is fully hooked onto bolt loosely threaded with both washers on the **OUTSIDE** of the bracket first, then proceed to fully tightening all 4 corners.

+ Parts Included

- ① Headboard (1 of pc) ② Footboard (1 of pc) ③ Side Rail (2 of pcs)



- ④ Headboard Legs (2 of pcs) ⑤ Footboard Legs (2 of pcs) ⑥ 13 Pcs Slat (1 of set)



- ⑦ Footboard Bracket (2 of pcs)

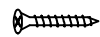


+ Hardware Included

- A JCBB M8x20mm (12 of pcs) B JCBC M6x30mm (4 of pcs) C JCBC M6x50mm (6 of pcs)



- D Allen Key M4 x 65mm (1 of pc) E Allen Key M5 x 70mm (1 of pc) F CSK M4 x 32mm (26 of pcs)



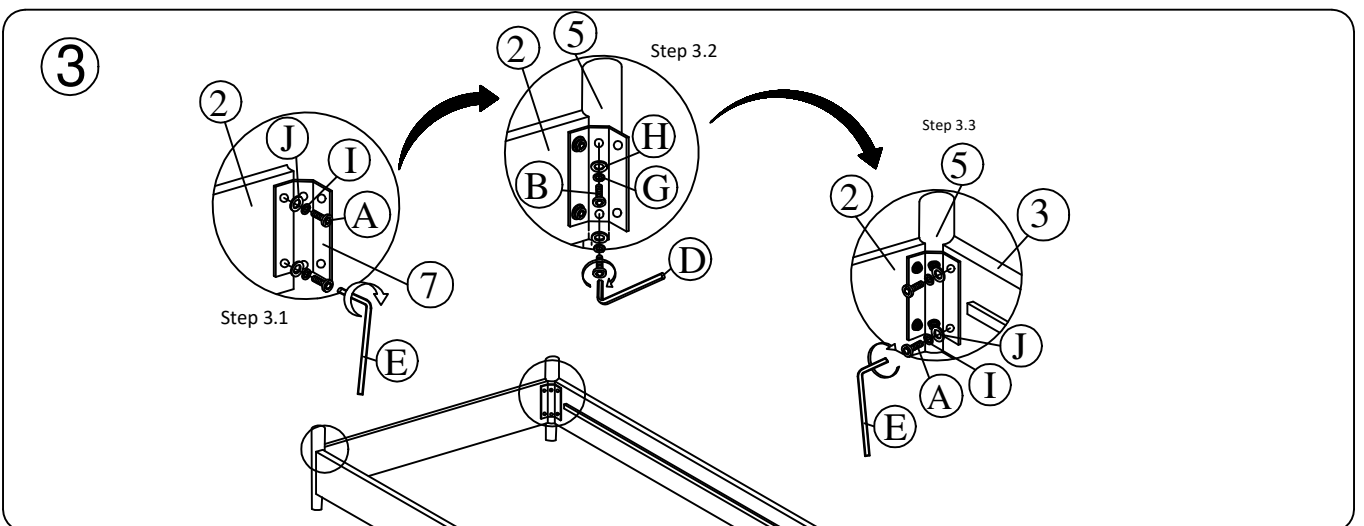
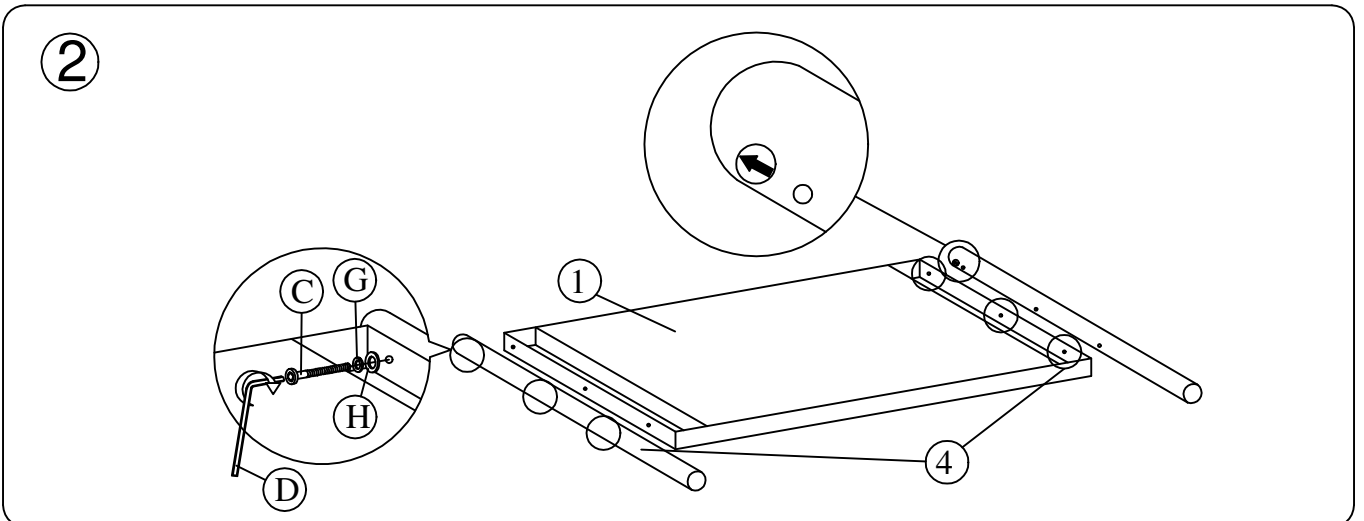
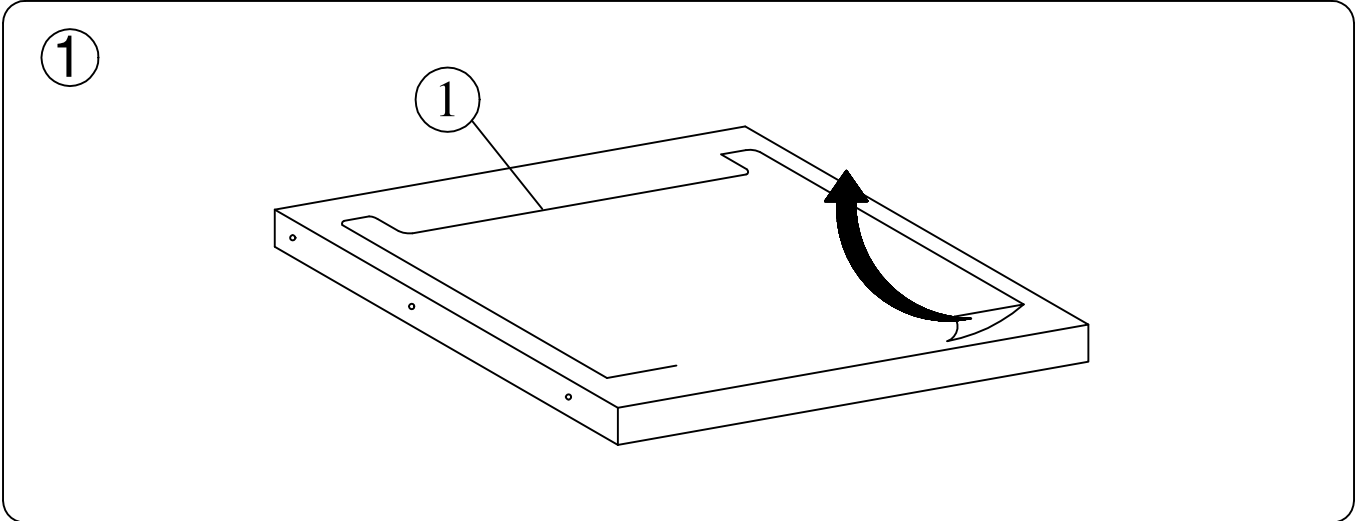
- G M6 Spring Washer (10 of pcs) H M6 Flat Washer (10 of pcs) I M8 Spring Washer (8 of pcs)



- J M8 Flat Washer (8 of pcs)



ASSEMBLY INSTRUCTION



ASSEMBLY INSTRUCTION

