








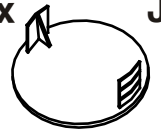

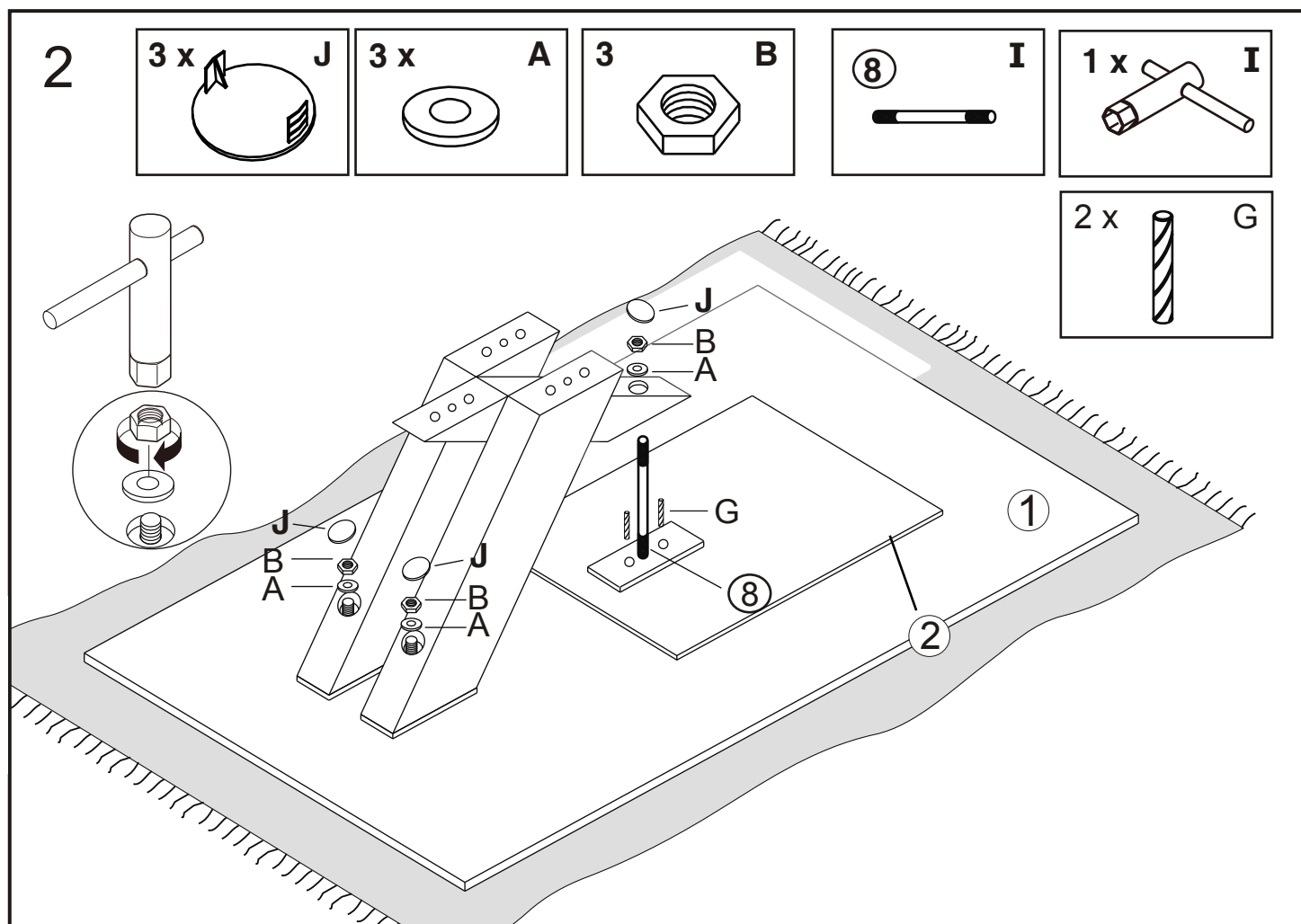
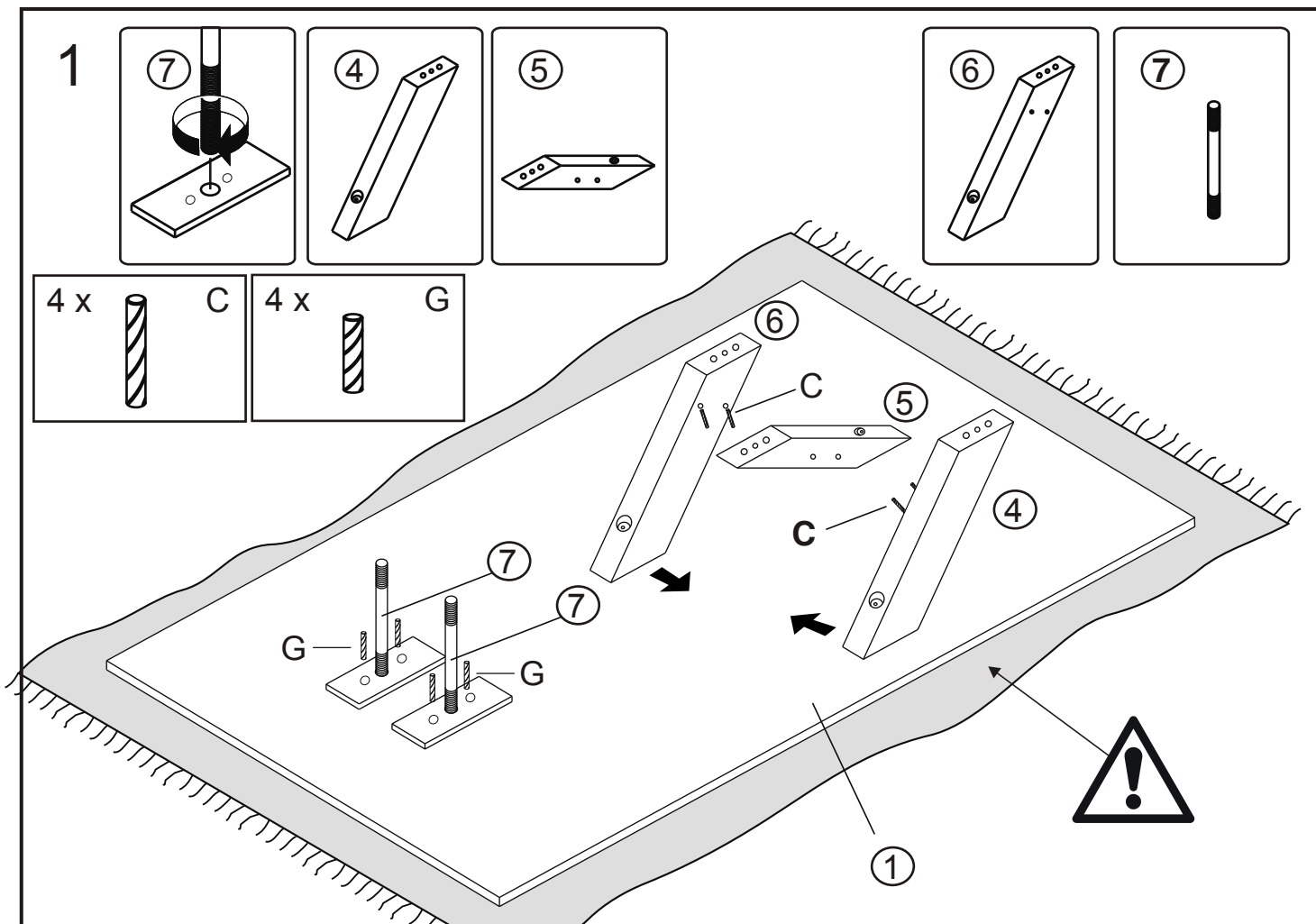


9 x  A	3 x  B	7 x  C	4 x  D	6 x  E
16 x  F	6 x  G	1 x  H	1 x  I	3 x  J
3 x  K				



3

