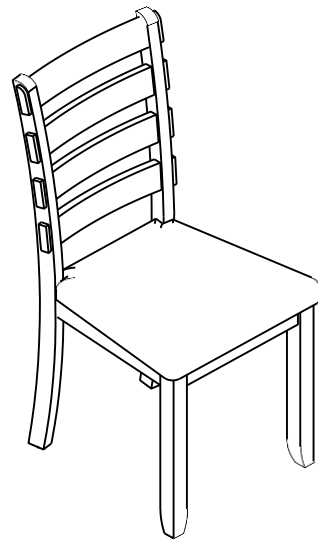
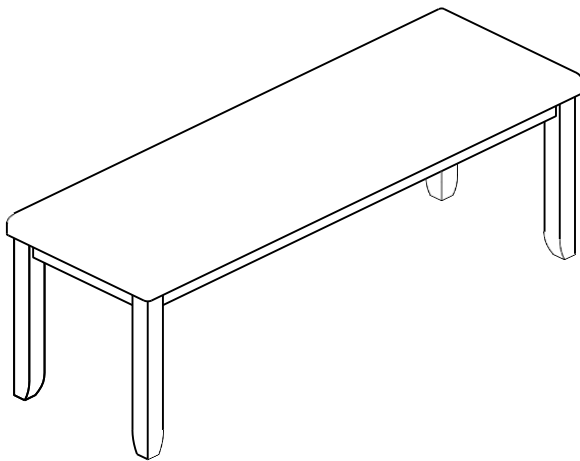


ASSEMBLY INSTRUCTION

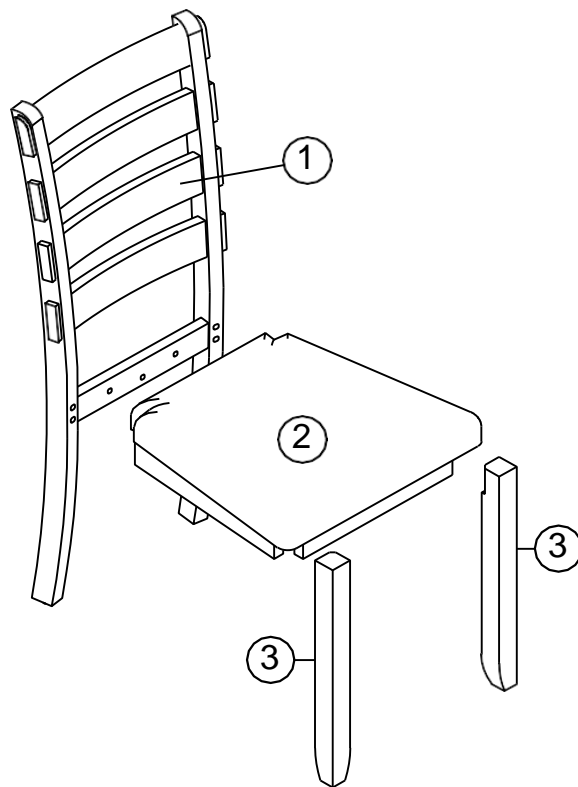
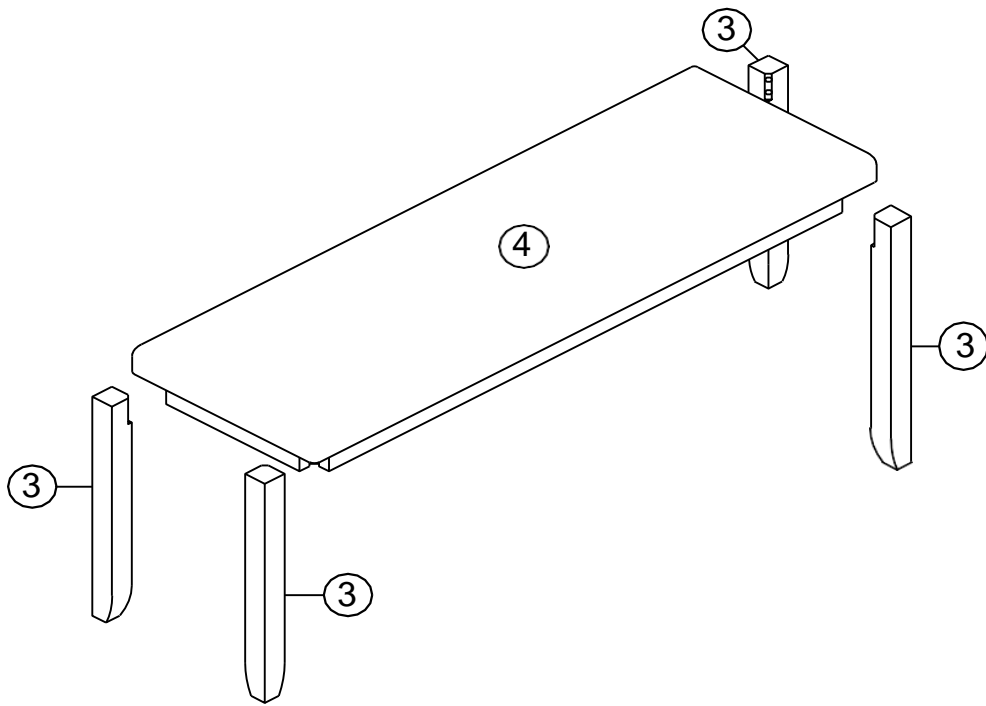
DINING BENCH + DINING CHAIR



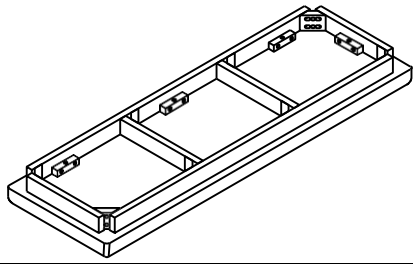
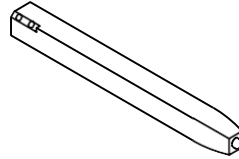
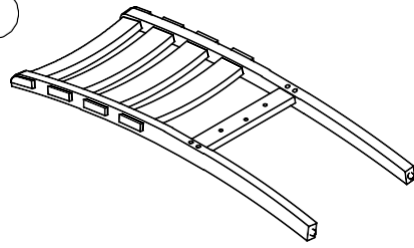
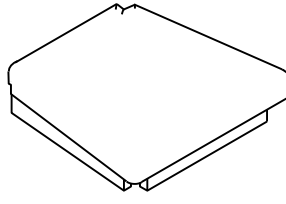
IMPORTANT NOTE:

- 1: PLACE ALL PARTS ON A CLEAN AND SMOOTH SURFACE SUCH AS A OR CARPET TO AVOID THE PARTS FROM BEING SCRATCHED.**
- 2: BEFORE YOU BEGIN, KINDLY FOLLOW THE ASSEMBLY INSTRUCTIONS STEP BY STEP.**
- 3: DO NOT TIGHTEN ALL SCREWS AND BOLTS UNTIL THE BENCH OR CHAIR IS FULLY SET - UP.**







Detail View





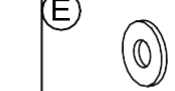

Part List In Box

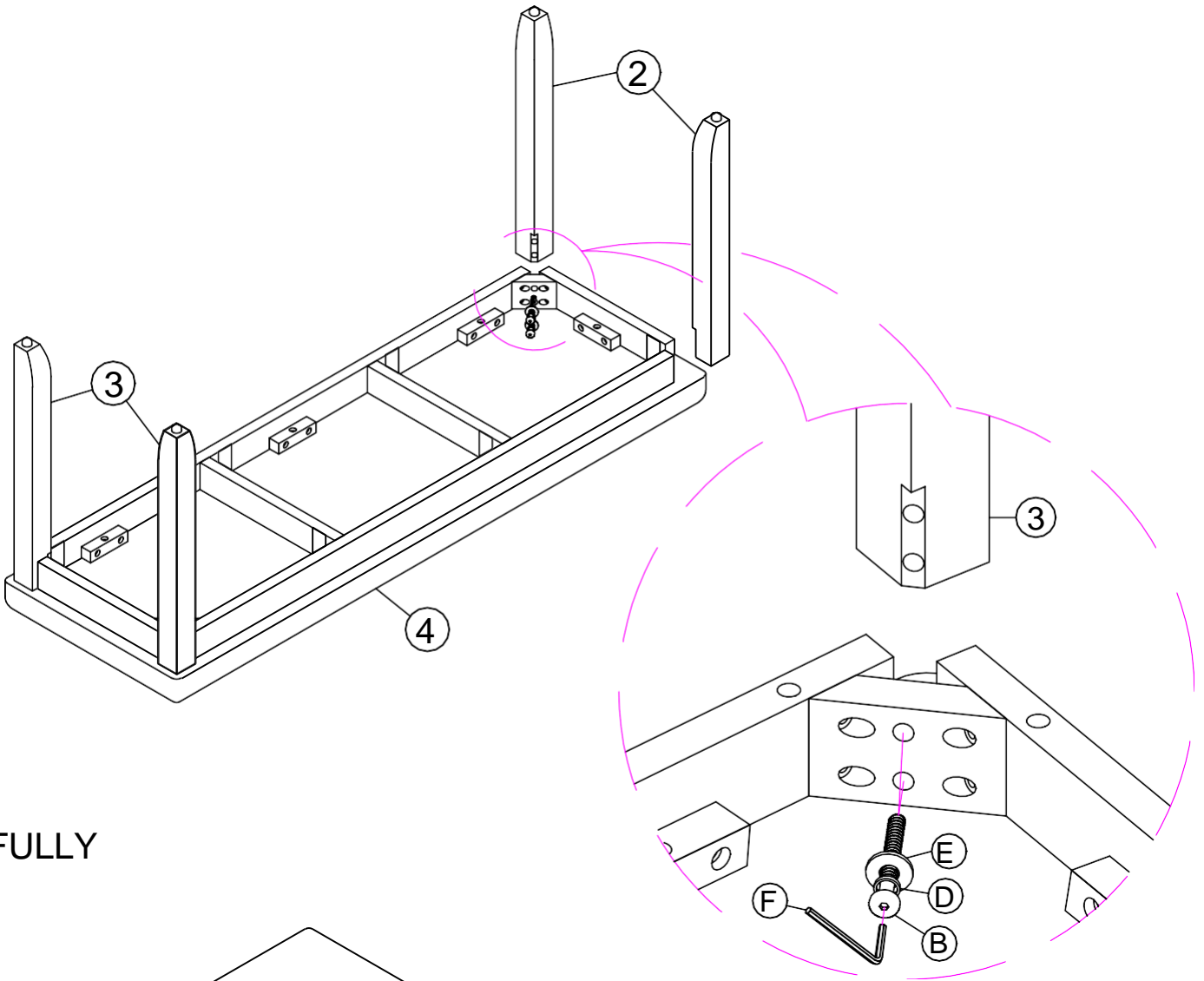
		
<p>SEAT BENCH FRAME (1 pc)</p>	<p>LEGS (6 pcs)</p>	
		
<p>BACK FRAME (1 pc)</p>	<p>SEAT CHAIR FRAME (1 pc)</p>	

Hardware List

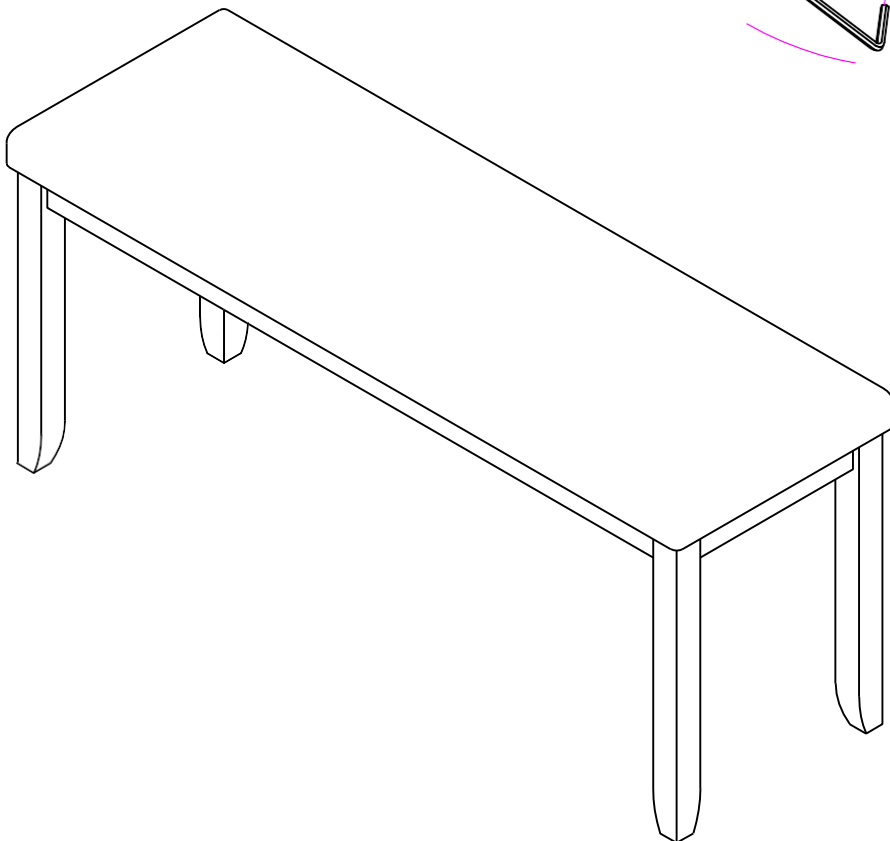
 <p>1/4"x75 mm BOLT (4 pcs)</p>	 <p>1/4"x50 mm BOLT (12 pcs)</p>	 <p>1/4"x35 mm BOLT (3 pcs)</p>
 <p>1/4"x11 mm LOCK WASHER (19 pcs)</p>	 <p>1/4"x19 mm FLAT WASHER (19 pcs)</p>	 <p>4x58mm ALLEN KEY (1 pc)</p>

STEP 1:

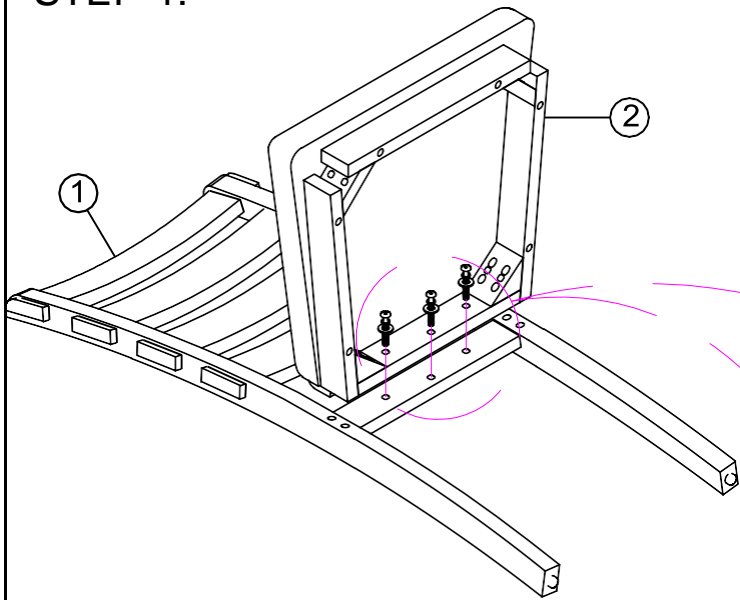
			
8 pcs	8 pcs	8 pcs	1 pc






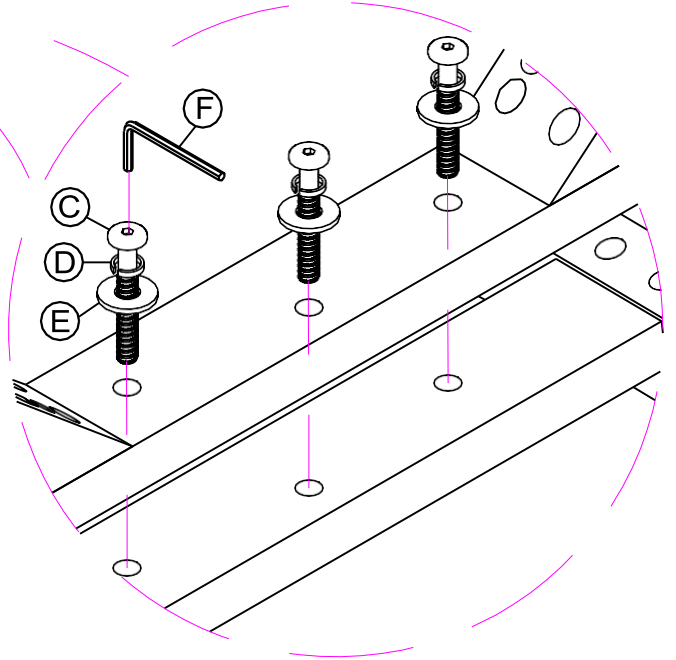
FULLY



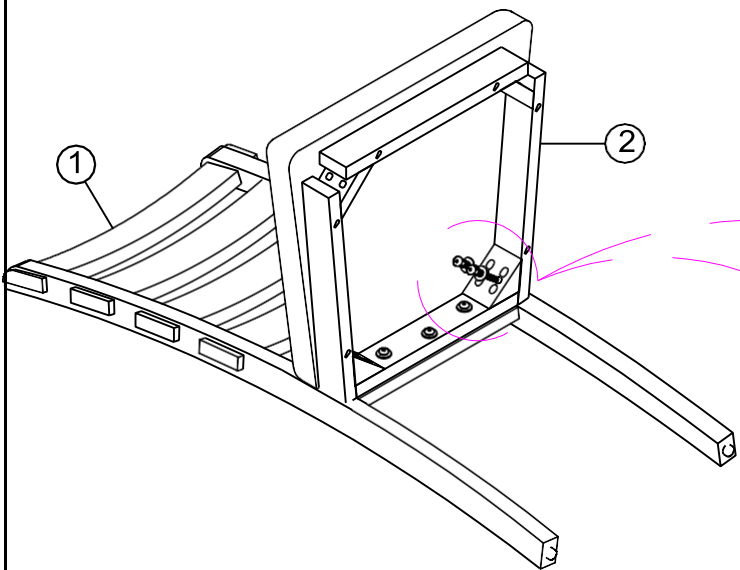
STEP 1:






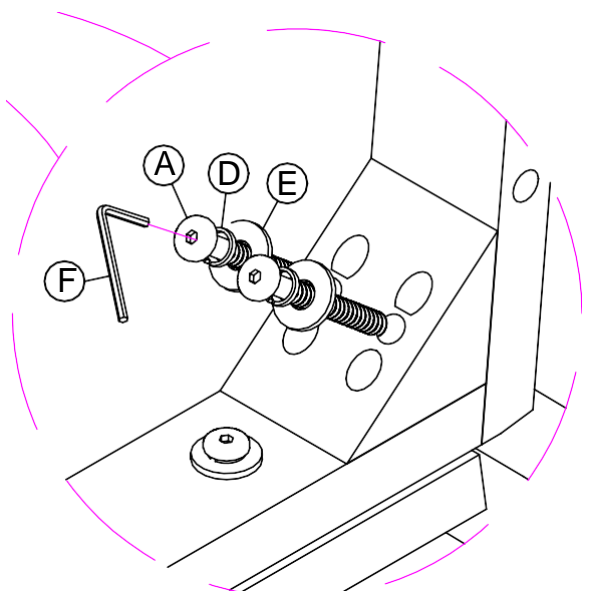
<p>C</p> 	<p>D</p> 	<p>E</p> 
<p>3 pcs</p>	<p>3 pcs</p>	<p>3 pcs</p>






STEP 2:

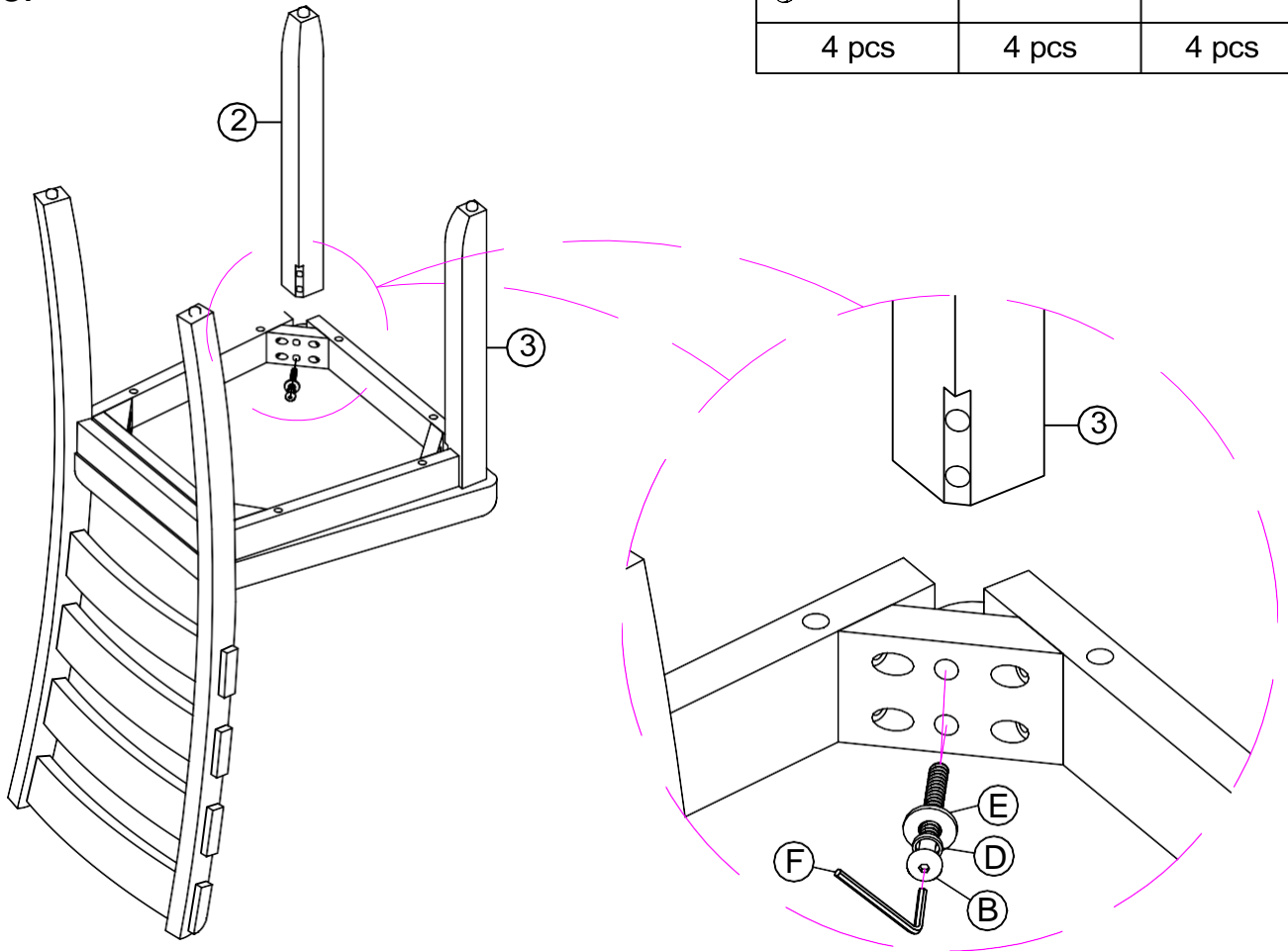


<p>A</p> 	<p>D</p> 	<p>E</p> 
<p>4 pcs</p>	<p>4 pcs</p>	<p>4 pcs</p>



STEP 3:

A 	B 	C 
4 pcs	4 pcs	4 pcs



FULLY

