

EMILE 8" WIDESPREAD LAVATORY FAUCET

FEATURES

- Solid brass construction
- Two lever handles
- Certified low-flow rate of 1.2 GPM
- Two Ceramic disc mixing cartridges

COLORS/FINISHES

- #CP Polished Chrome
- #BN Brushed Nickel

INSTALLATION NOTES

This product is designed to be installed in a 6-inch to 12-inch wide spread by a licensed professional plumber. Please refer to the installation manual for further instructions.



WARRANTY

- Five-year Limited Warranty for residential use
- One-year Limited Warranty for commercial use

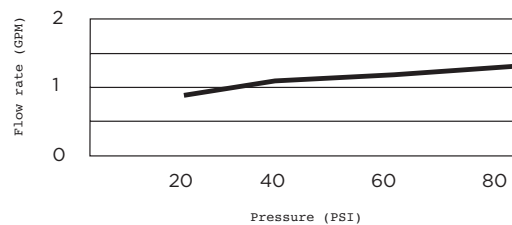
SHIPPING INFORMATION

Package Dimensions
13 3/16" x 13" x 3"
Package Weight
7.3 lbs

MATERIAL

- Brass
- Zinc

FLOW RATE



PLEASE NOTE:

Final achievable flow rate is dependent on the outlets fitted, see relevant outlets (spouts, rose, sprays) for assembled product flow rate.

CODES/STANDARDS

- Meets A112.18.1 / A112.18.1
- Certifications: IAPMO(cUPC)
- Certifications: Watersense(EPA)
- ADA compliant



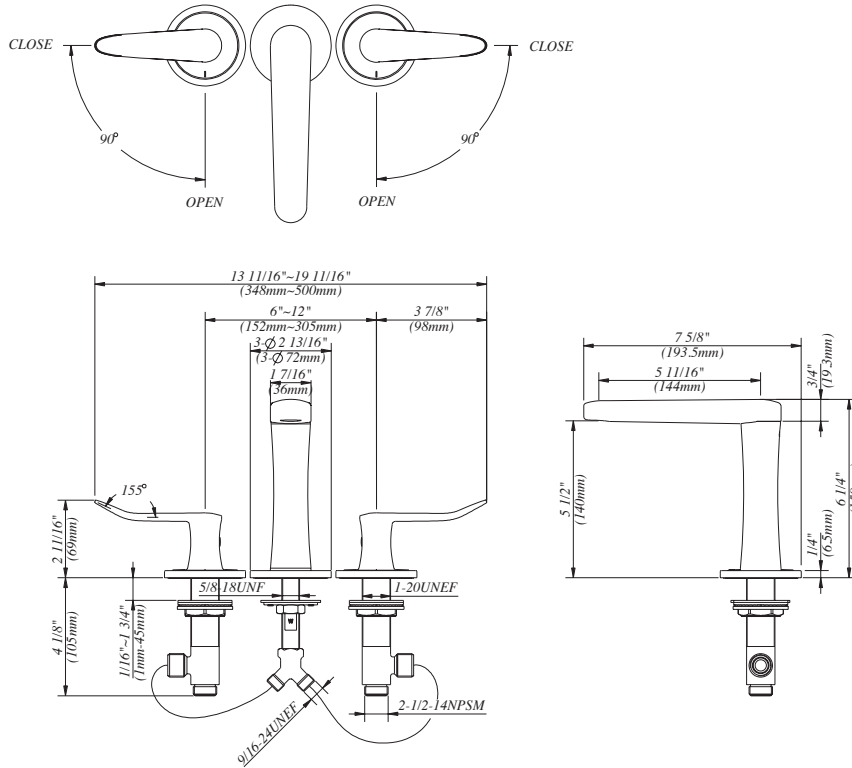
NSF/ANSI 372
NSF/ANSI 61-9



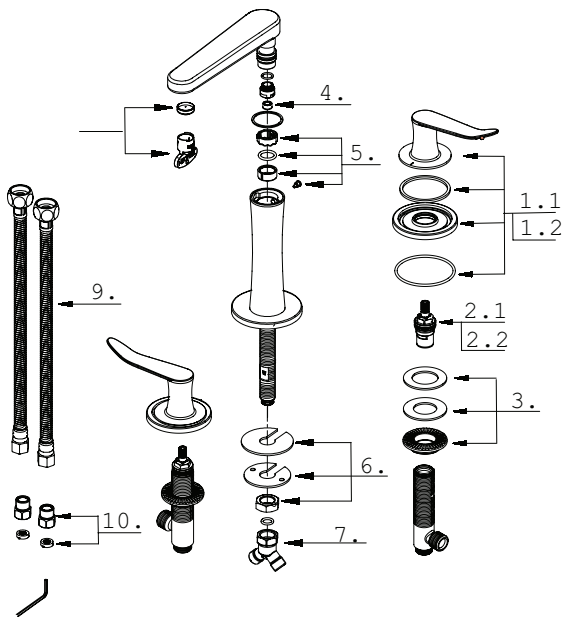
DATE: 28 MAY 2019



DIMENSIONS



SERVICE PARTS



- | | |
|---|--|
| <ul style="list-style-type: none"> 1.1 Short Handle Assembly - Cold (A662A22C) 1.2 Short Handle Assembly - Hot (A662A22H) 2.1 Cartridge - Cold (A507376W) 2.2 Cartridge - Hot (A507375W) 3 Mounting Hardware (PR) (A66F373W) | <ul style="list-style-type: none"> 4 Flow Restrictor (A113005N) 5 Seal Kit (A663A64) 6 Mounting Hardware (A603233) 7 Connector (A015004W) 8 Aerator Assembly (A66G291) 9 Supply Hose (PR) (A105750WCP) 10 Filter Adapter (A603134WCP) |
|---|--|