


Item No


UD-T-A


A Mechanism 1PC


B Backrest 1PC



C Seat Cushion 1PC



D 2D PU Armrest 2PCS


E Nylon Base 1PC


F Gas Lift 1PC


G Screw 10PCS
 6DIA*L 25mm



H Screw 3PCS
 8DIA*L 40mm



I Nylon Wheel 5PCS


J L Shape Wrench 1PC

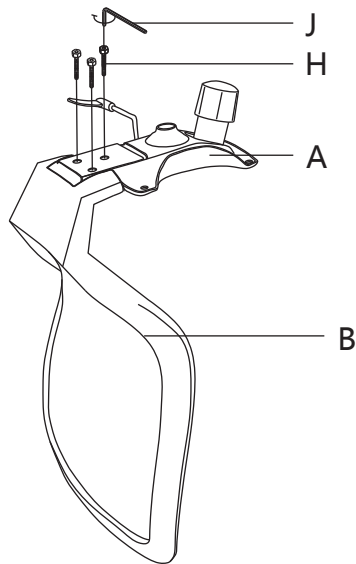

K Headrest 1PC


L Gasket 1PC

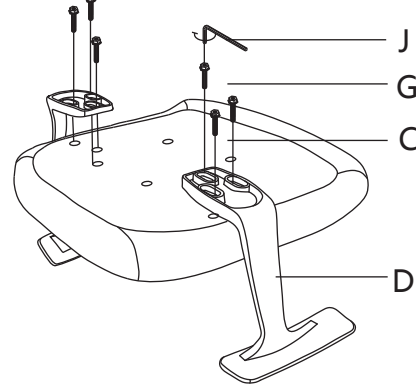

M Clothes Hanger 1PC


N Screw 2PCS
 5DIA*L 35mm


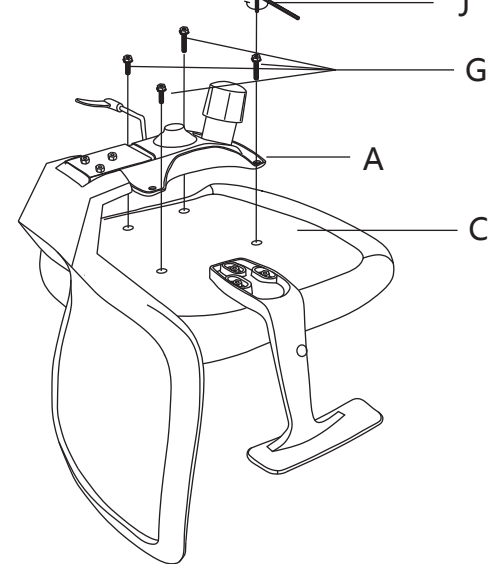
① Use 3pcs Screw H to link Band A



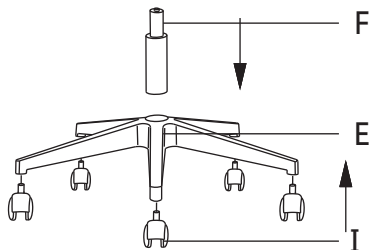
② Use 6 pcs Screw G to link D and C



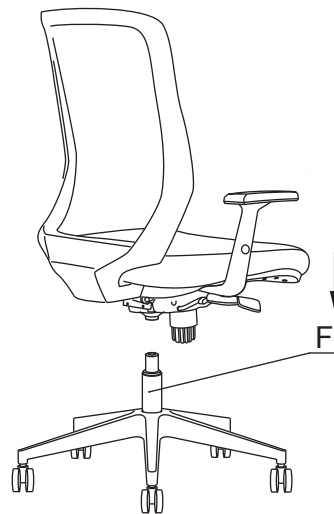
③ Use 4 PCS Screw G to link C and A



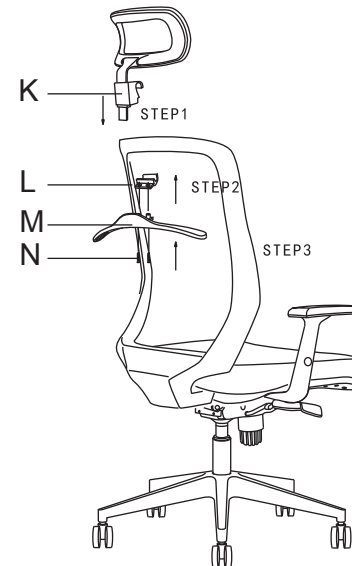
④ Put the I into the E as picture



⑤ Put the body of chair on the F as Picture



⑥ Use 2Pcs Screw N to fasten K,L&M to the middle of frame as the picture



⑦

