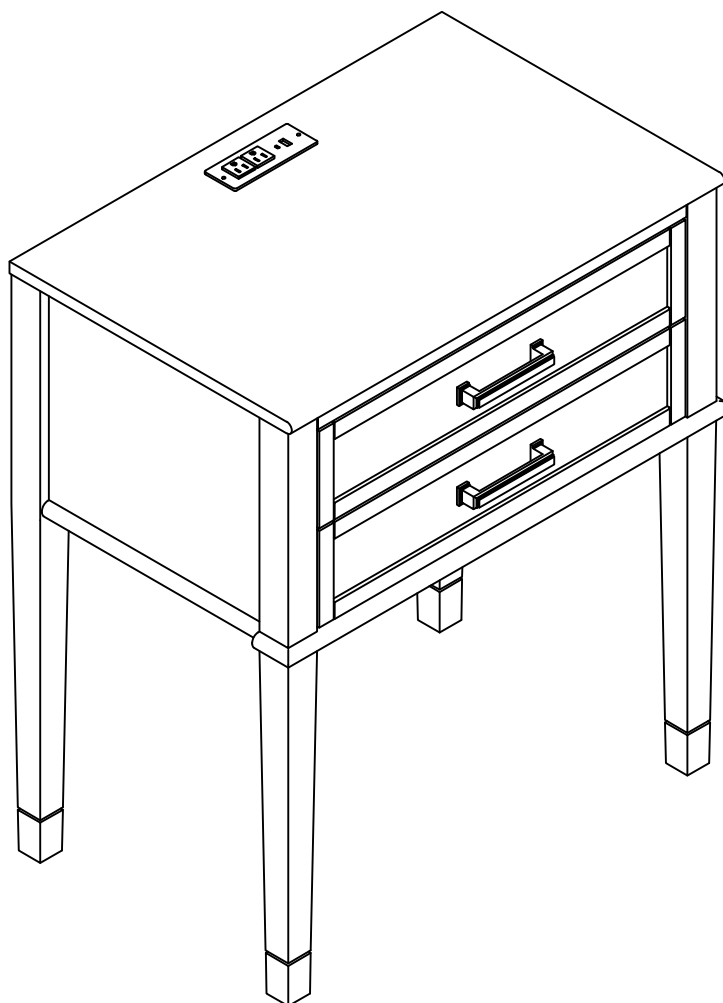


# ASSEMBLY INSTRUCTIONS

## NIGHTSTAND

### GNS001

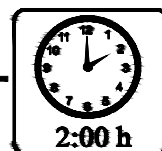
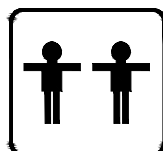
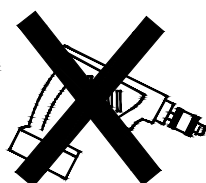


Thank you for purchasing this quality product. Be sure to check all packing material carefully for small parts which may have come loose inside the carton during shipment. Separate, identify and count all parts and hardware.

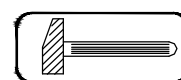
Compare with the parts list to be sure all parts are present.

**"DO NOT TIGHTEN SCREWS UNTIL COMPLETELY ASSEMBLED"**

**\* Use of power tool to assemble this product will invalidate any claim and damage this product making unsafe !!!**  
**\* Please assemble on a clean soft surface to avoid damage.**



Tools Required



(Not included)

**IMPORTANT:**

**PLEASE READ INSTRUCTION BEFORE STARTING THE ASSEMBLY**

Thank you for buying our products.

Please read the installation manual carefully before installation,

we need you to follow the instructions on the accessories and hardware

step by step assembly complete, our instructions are very detailed.

Products are environmentally friendly products,

Please rest assured that you do not soak in water, do not place very heavy items,

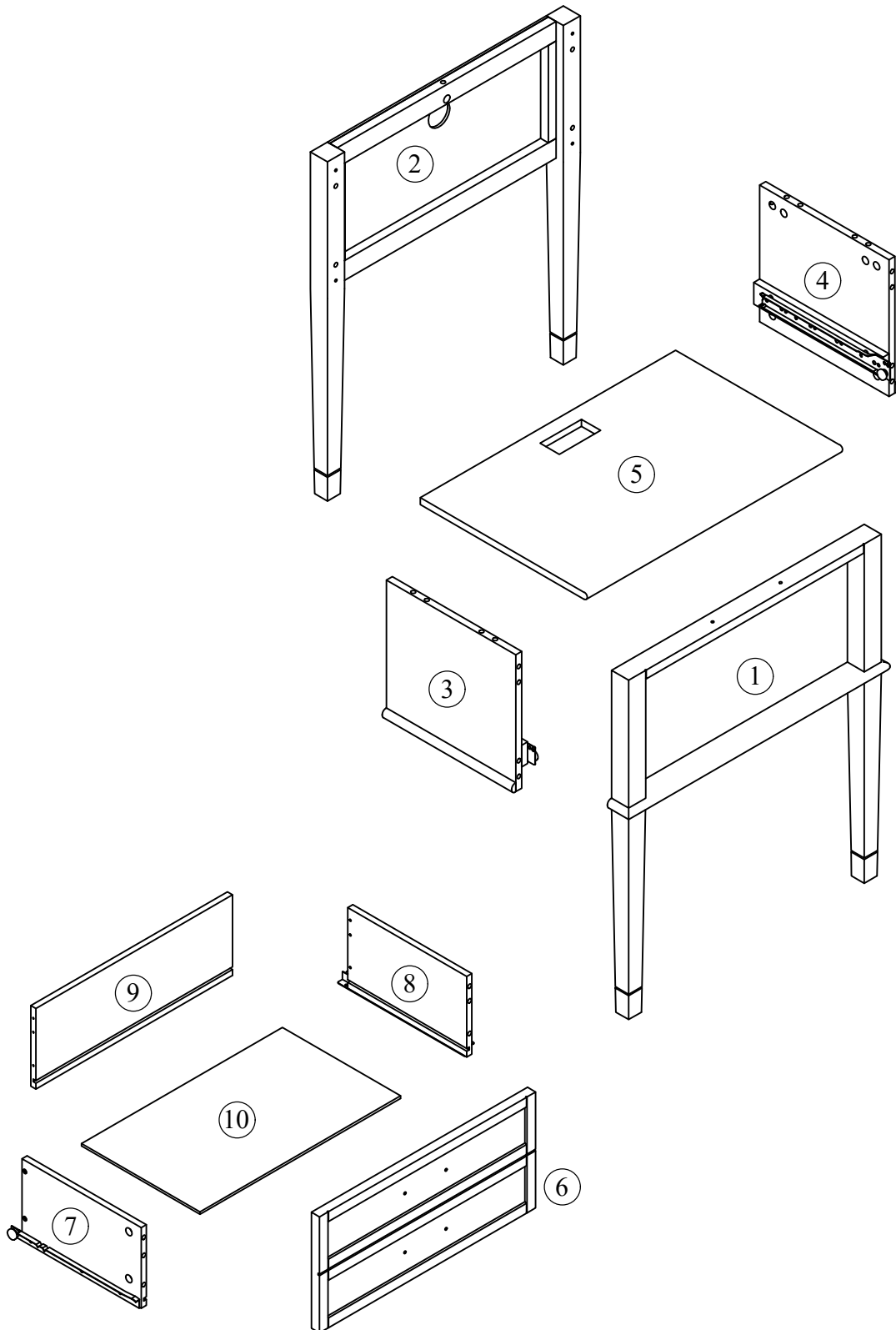
do not malicious push and pull,

if you have any problems in the process of assembly and use, please contact us.

Thank you again for your purchase of our products,

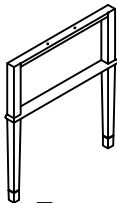
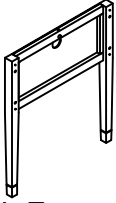
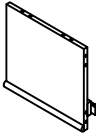
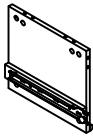
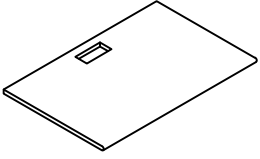
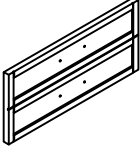
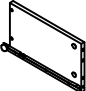
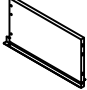
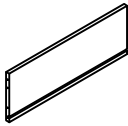
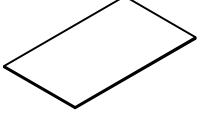
I wish you a happy life.

## Detail View - CABINET

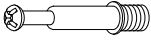


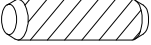


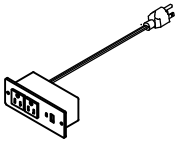

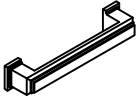
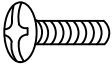

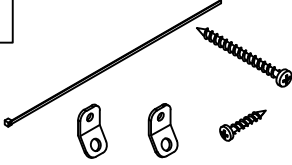
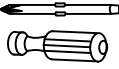


**Identifying the Hardware**—Identify the hardware using the illustrations below.

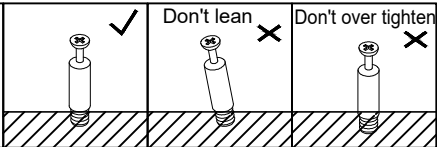
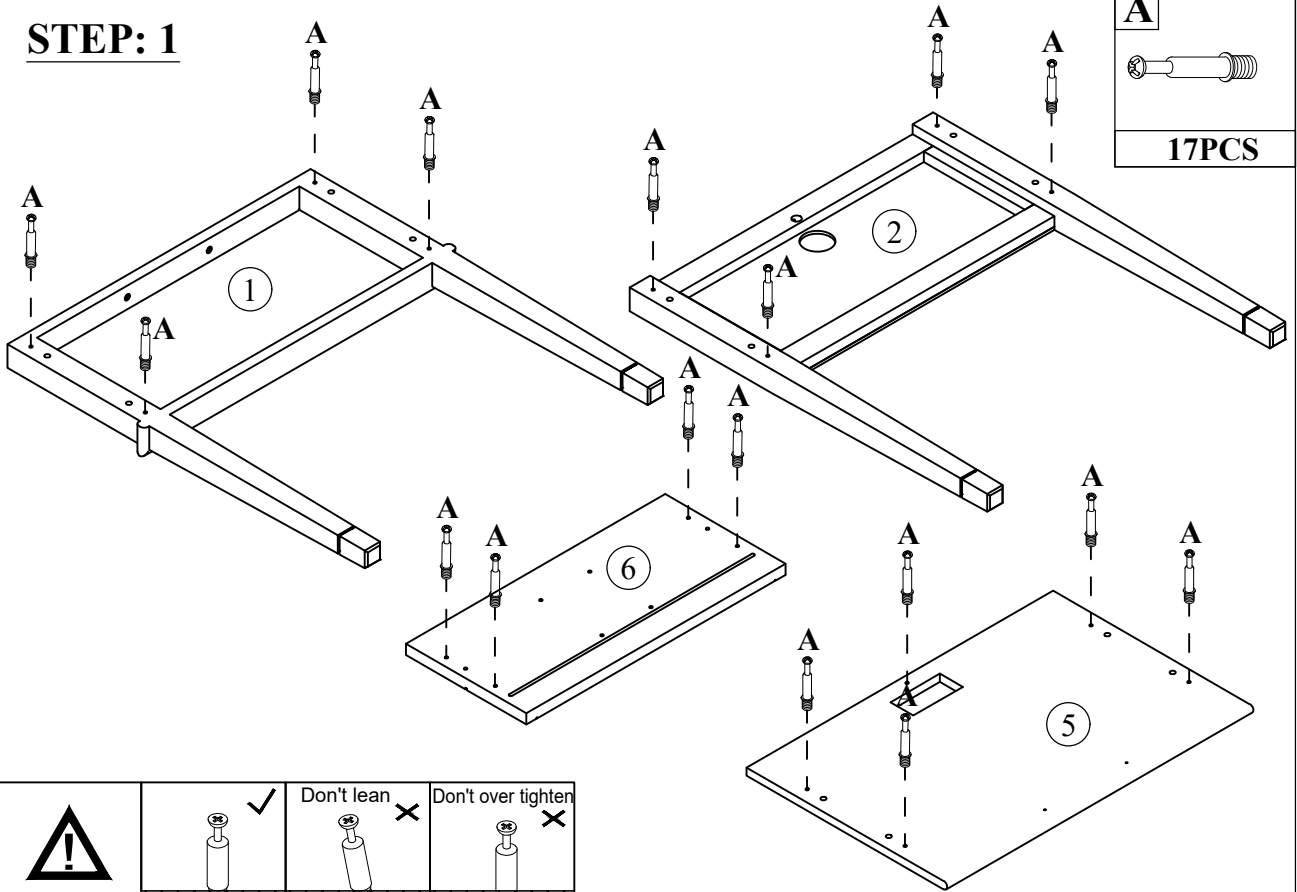
# Part List

<p>1</p>  <p>Front Frame - 1pc</p>	<p>2</p>  <p>Back Frame - 1pc</p>
<p>3</p>  <p>Side Panel (L) - 1pc</p>	<p>4</p>  <p>Side Panel (R) - 1pc</p>
<p>5</p>  <p>Top Panel - 1pc</p>	<p>6</p>  <p>Drawer Face - 1pc</p>
<p>7</p>  <p>Drawer Panel Side (L) - 1pc</p>	<p>8</p>  <p>Drawer Panel Side (R) - 1pc</p>
<p>9</p>  <p>Drawer Panel Rear - 1pc</p>	<p>10</p>  <p>Drawer Panel Bottom - 1pc</p>

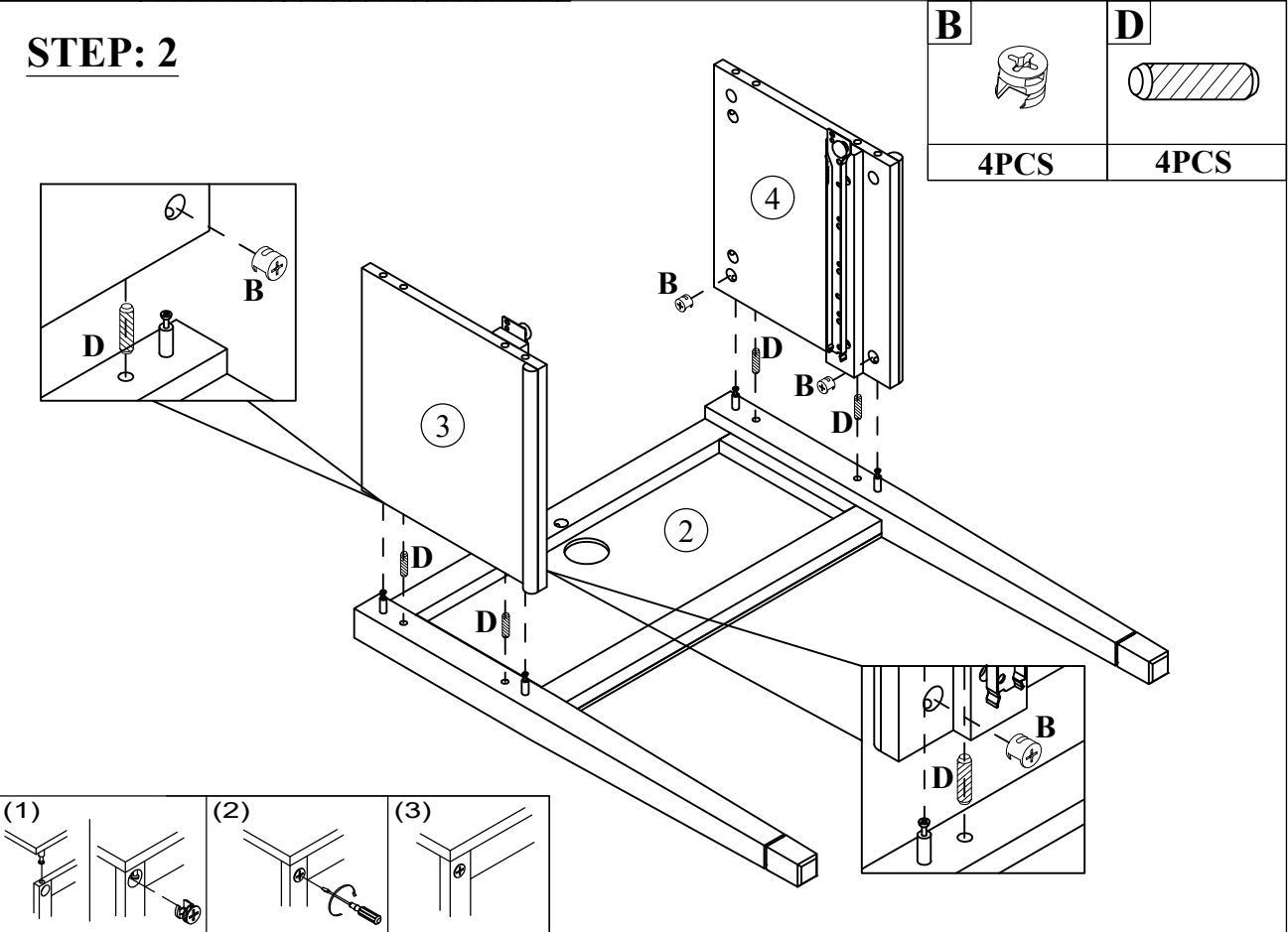
# Hardware List


<p><b>A</b></p>  <p>ø6x33mm</p>	<p><b>B</b></p>  <p>ø14.5x12mm</p>	<p><b>C</b></p>  <p>ø8xø4x25mm</p>
<p>Three in one bolts (17pcs)      Three in one lock (13pcs)      Round head screw (2pcs)</p>		
<p><b>D</b></p>  <p>ø8x30mm</p>	<p><b>E</b></p>  <p>ø6x30mm</p>	<p><b>F</b></p>  <p>ø8xø4x32mm</p>
<p>Wood dowel (12pcs)      Wood dowel (4pcs)      Round head screw (4pcs)</p>		
<p><b>G</b></p> 	<p><b>H</b></p>  <p>ø7xø3.5x12mm</p>	<p><b>I</b></p> 
<p>USB Power Socket (1pc)      Flat head screw (2pcs)      Handle (2pcs)</p>		
<p><b>J</b></p>  <p>ø5/32"x20mm</p>	<p><b>K</b></p>  <p>ø14.5x9mm</p>	<p><b>L</b></p> 
<p>Handle screw (4pcs)      Three in one lock (4pcs)      Anti fall hardware (1set)</p>		
<p><b>M</b></p>  <p>5.6x135mm</p> <p>Big screw(1pc)</p>		


**STEP: 1**

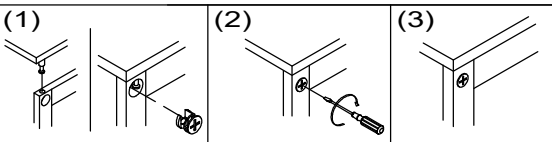


**STEP: 2**

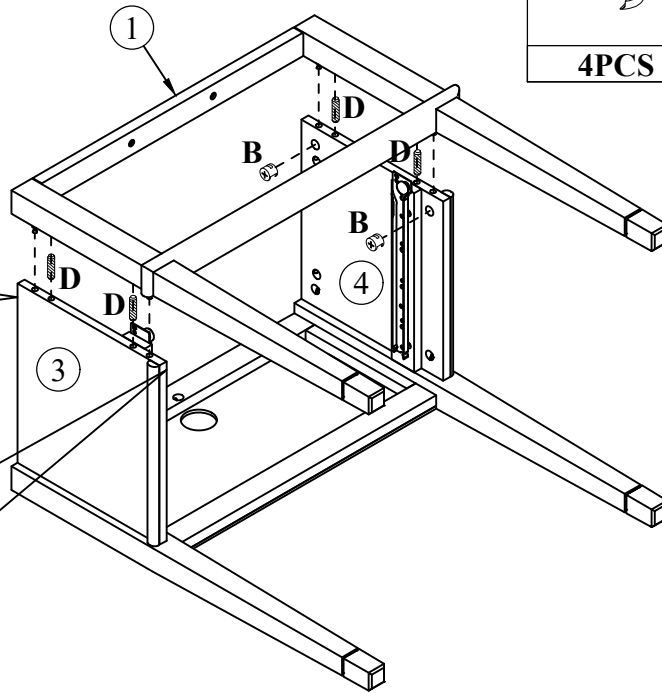
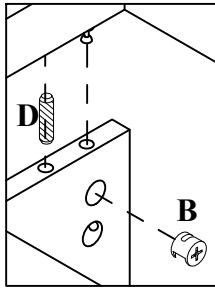



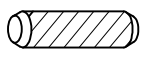
<b>B</b>	
4PCS	

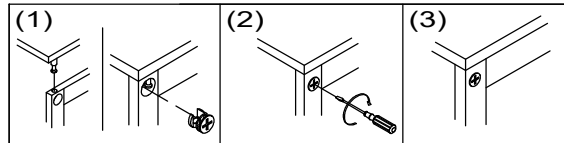
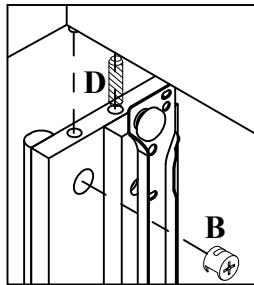
<b>D</b>	
4PCS	



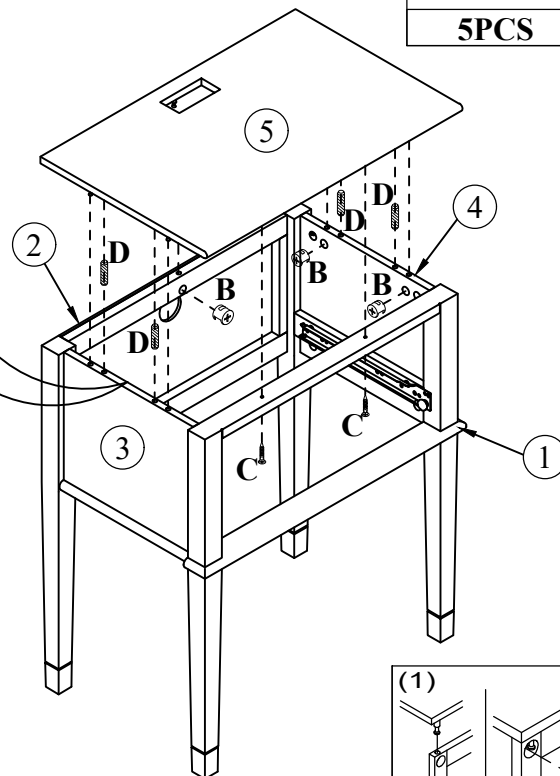
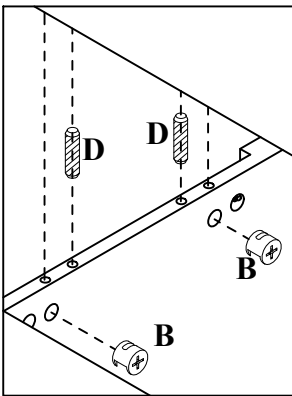
### STEP: 3


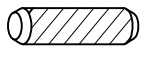


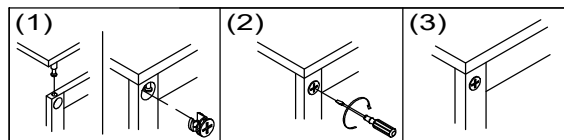
<b>B</b>		<b>D</b>	
	4PCS		4PCS



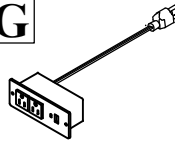

### STEP: 4

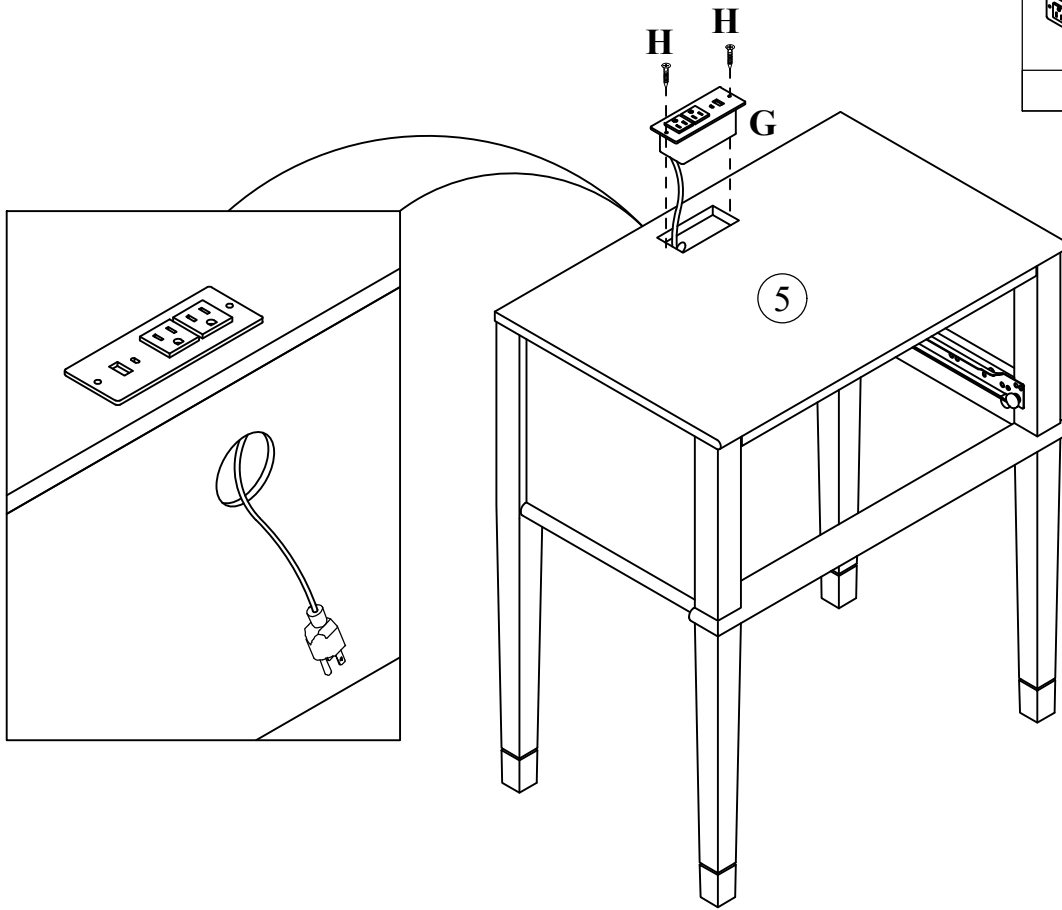


<b>B</b>		<b>D</b>	
	5PCS	2PCS	4PCS

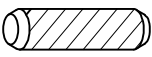

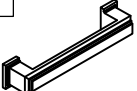
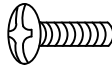



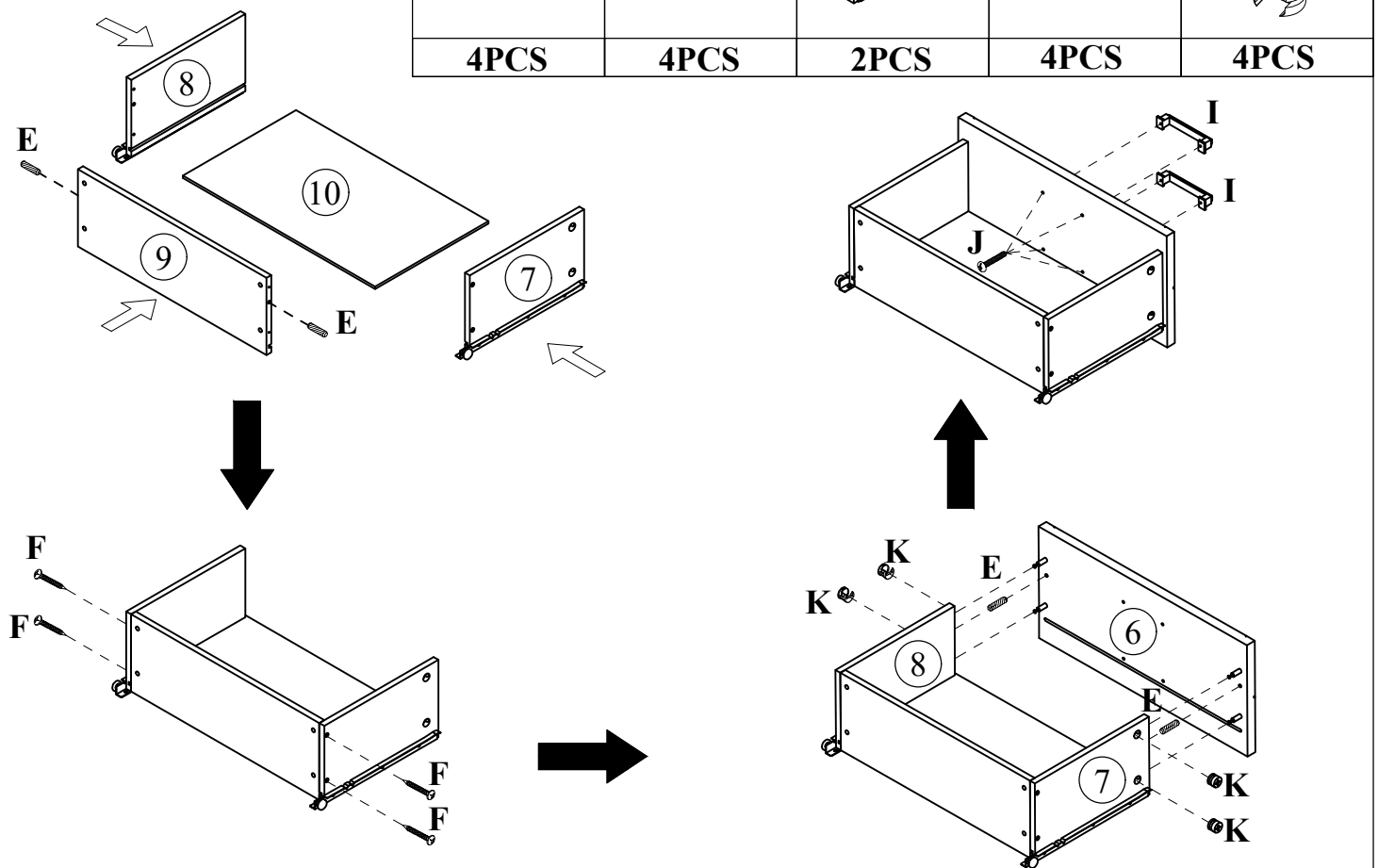
# STEP: 5

<b>G</b> 	<b>H</b> 
1PC	2PCS

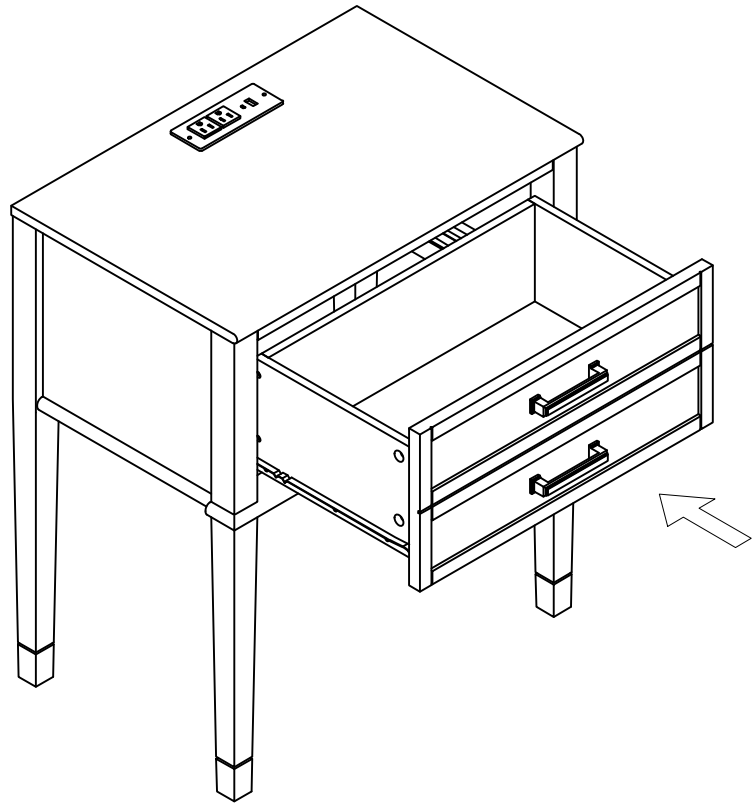
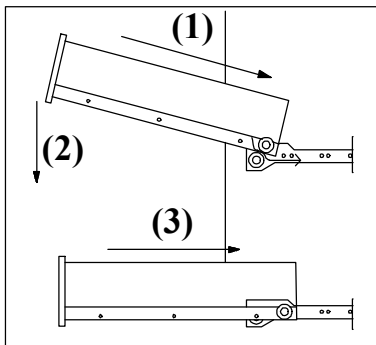


# STEP: 6

<b>E</b> 	<b>F</b> 	<b>I</b> 	<b>J</b> 	<b>K</b> 
4PCS	4PCS	2PCS	4PCS	4PCS

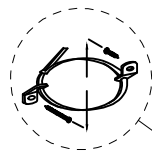


## STEP: 7

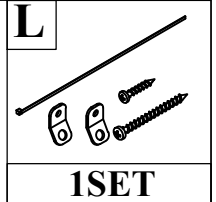
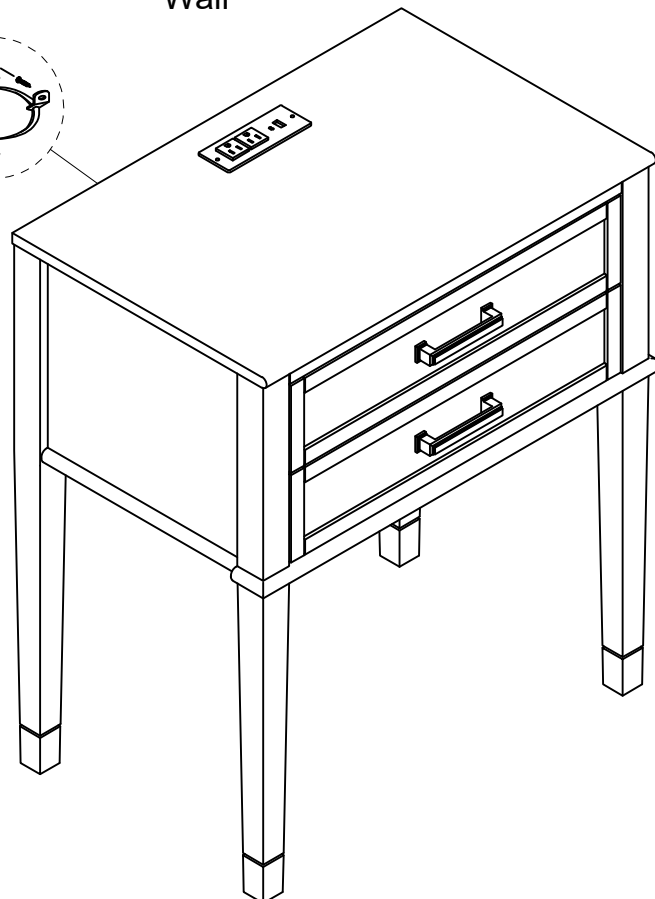


\*Please ensure that you have matched the wheels on BOTH sides of the drawer with the wheelson rails installed BEFORE push in the drawer.

## STEP: 8



Wall



**STEP: 9**

