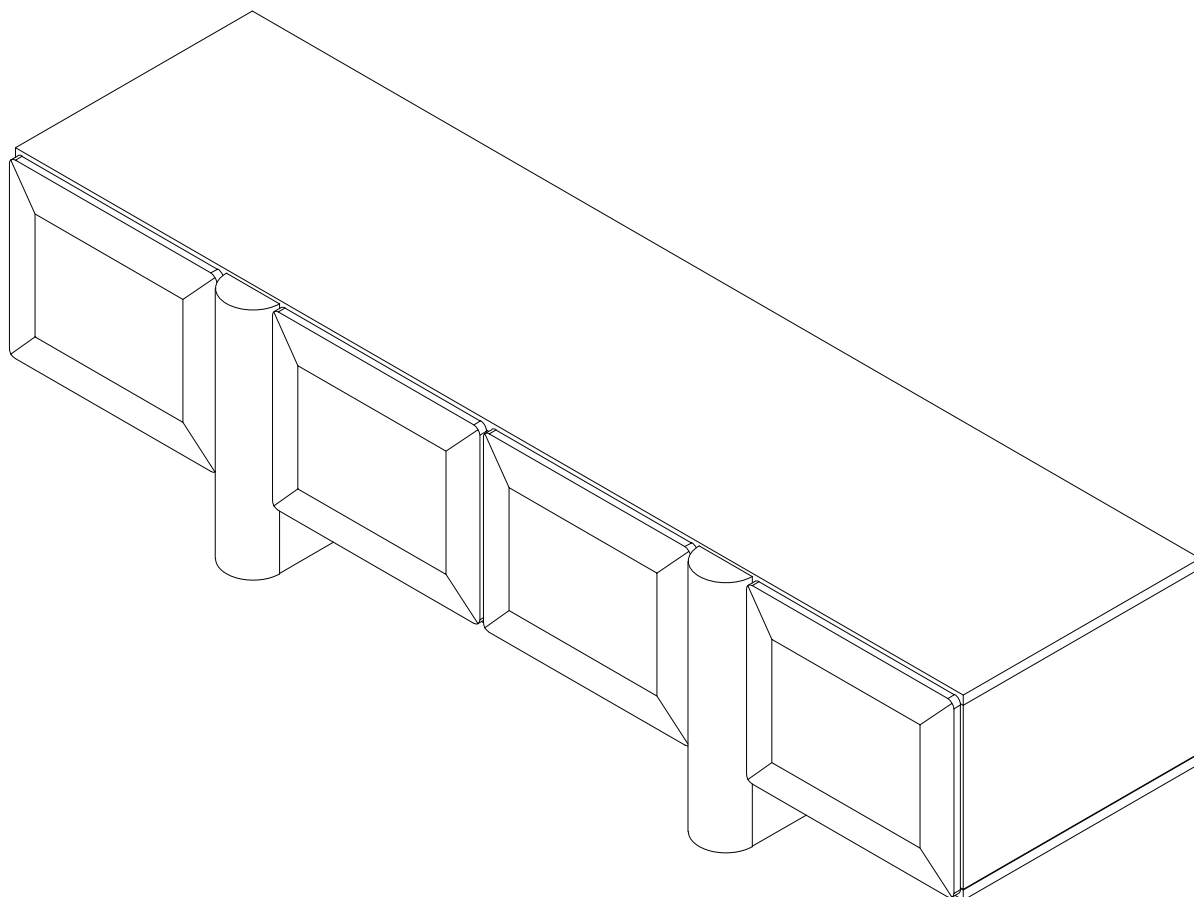


LuxenHöme

# TV Stand

SKU WHIF2718



## ASSEMBLY INSTRUCTIONS



**90 min. assembly**  
**2 person**

\*The estimated assembly time may vary depending on the individual.

# Hey, there

Now is assembly time!

Deeeeep breathe.... and again....  
Tools ready,  
Easy peasy!

## Estimated



**90** min. assembly  
**2** person

## Tools Required

- Allen Wrench(included)
- Phillips screwdriver(included)

**important:** *Cautious when you use power tools*

## Need Help?

Call us at +1 909 548 6688  
Email [customerservice@luxenhome.com](mailto:customerservice@luxenhome.com)  
Submit a ticket on [www.luxenhome.com/help](http://www.luxenhome.com/help)

Thank you for purchasing this LuxenHome product. This product has been manufactured with the highest standards of safety and quality.

### **PLEASE READ ALL INSTRUCTIONS CAREFULLY BEFORE ASSEMBLY.**

Unpack all parts from the packaging inside the carton to ensure there are no missing or damaged parts. Lay out all the parts on a clean, flat, and soft surface to prevent scratches. Refer to the steps provided as assembling guide.

Do not attempt to assemble or use the product if any parts are missing or damaged.

## **REMINDERS**

### **SAFE USAGE IS KEY**

Your well-being is our top priority when you use our product. Please prioritize your safety by diligently following the assembly guidelines and inspecting the product carefully both when it arrives and before each use.

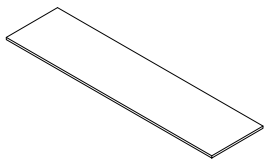
Please be aware that LuxenHome and Winsome House, Inc. cannot be held liable for any injuries or fatalities that occur due to not adhering to the provided instructions or misuse of the product.

### **DO NOT MODIFY**

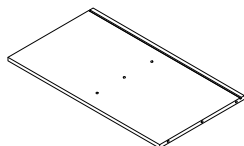
Our products undergo rigorous testing to ensure they meet established safety standards before being released for sale. Altering the product in any way can lead to serious safety concerns, for which LuxenHome cannot assume responsibility.

# What's in the box

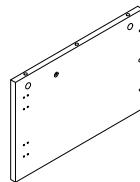
## Parts



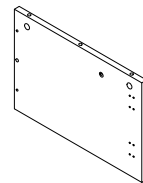
①x1  
Top Panel



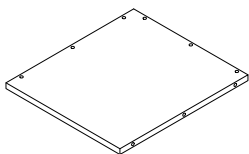
②x1  
Middle Bottom Panel



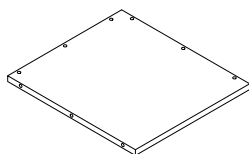
③x1  
Left Side Panel



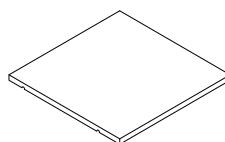
④x1  
Right Side Panel



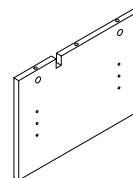
⑤x1  
Left Bottom Panel



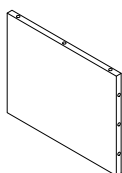
⑥x1  
Right Bottom Panel



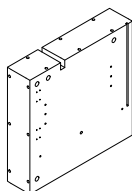
⑦x2  
Shelf Panel



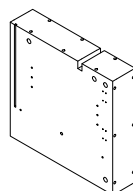
⑧x1  
Partition Panel



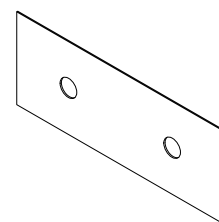
⑨x2  
Back Panel



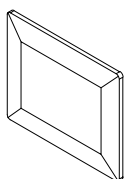
⑩x1  
Left Leg



⑪x1  
Right Leg



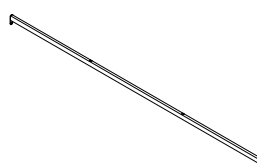
⑫x1  
Middle Back Panel



⑬x4  
Door Panel

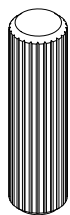


⑭x2  
Leg

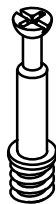


⑮x1  
Cross Bar

# Hardware & Accessory



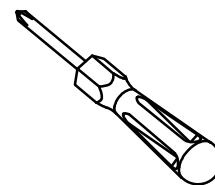
Ⓐx26+3  
Ø8x30 mm



Ⓑx42+4  
Ø6x35 mm



Ⓒx42+4  
Ø15x10 mm



Ⓓx1



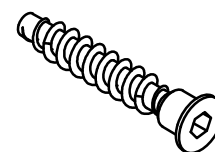
Ⓔx1



Ⓕx56+4  
3.5x14 mm



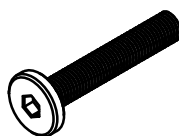
Ⓖx4  
3x16 mm



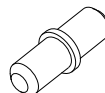
Ⓗx10+2  
7x40 mm



Ⓘx2  
M6x12 mm



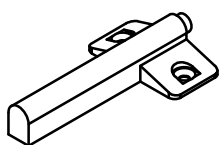
Ⓙx2  
M6x35 mm



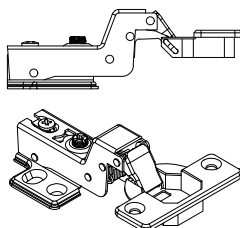
Ⓚx8  
Ø5x15 mm



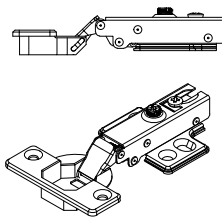
Ⓛx4



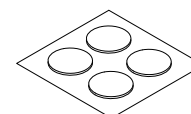
Ⓜx4



Ⓝx4



Ⓞx4

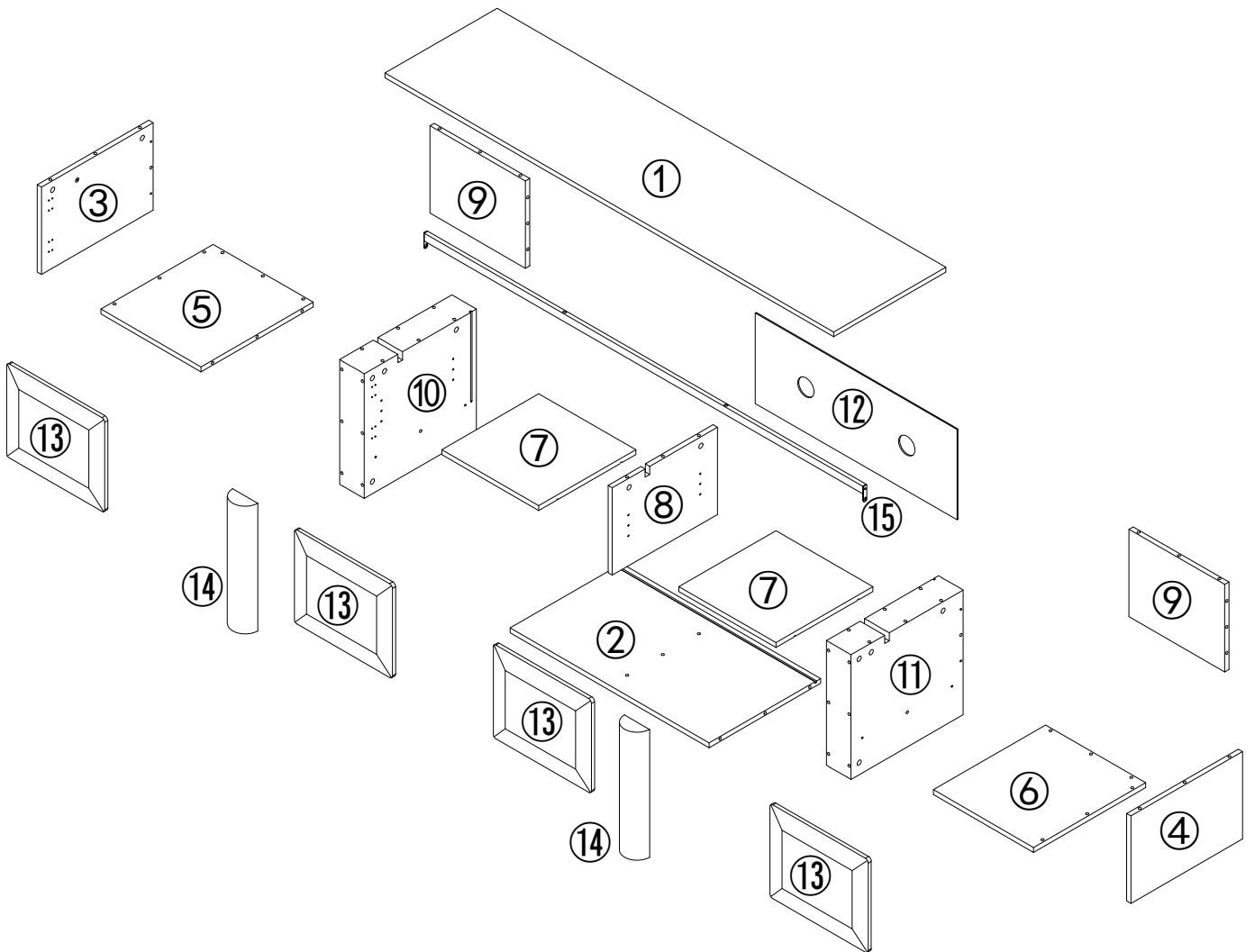


Ⓟx20



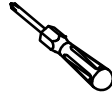



Ⓠx8

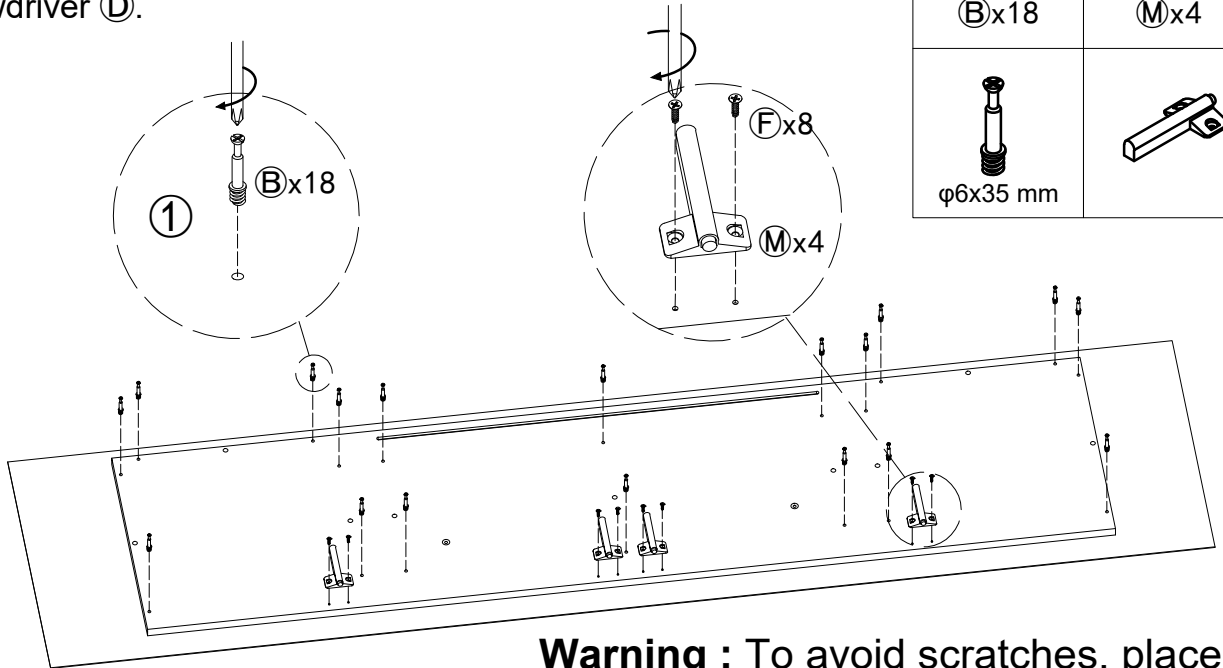
# Assembly



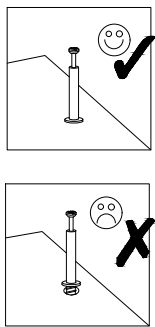
# Step 1

Fully tighten 18 pcs cam screw (B) to part (1), fix by using phillips screwdriver (D). Tighten until the shoulder is against the surface of the board. Then attached 4 pcs push latch (M) to the 8 partially pre-drilled holes of part (1), fully tighten by using 8 pcs self tapping screw (F) and phillips screwdriver (D).

(D)x1	(F)x8
	 3.5x14 mm
(B)x18	(M)x4
 φ6x35 mm	





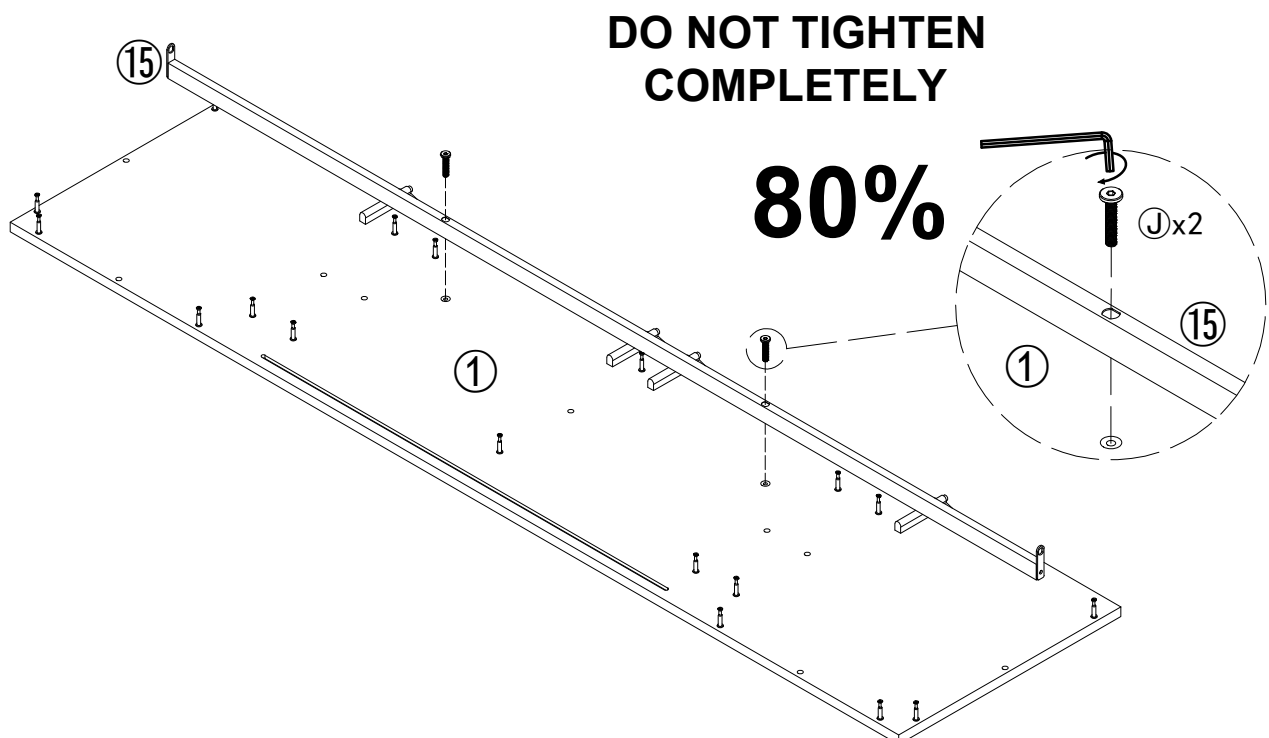
**Warning :** To avoid scratches, place the panels on a clean and soft surface.



# Step 2

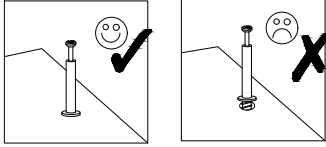
Fix part (15) to part (1) by using 2 pcs allen bolt (J) and allen key (E). DO NOT TIGHTEN COMPLETELY. Stop when you feel you are adding force to tighten the bolt.

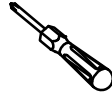

(E)x1	(J)x2
	 M6x35 mm

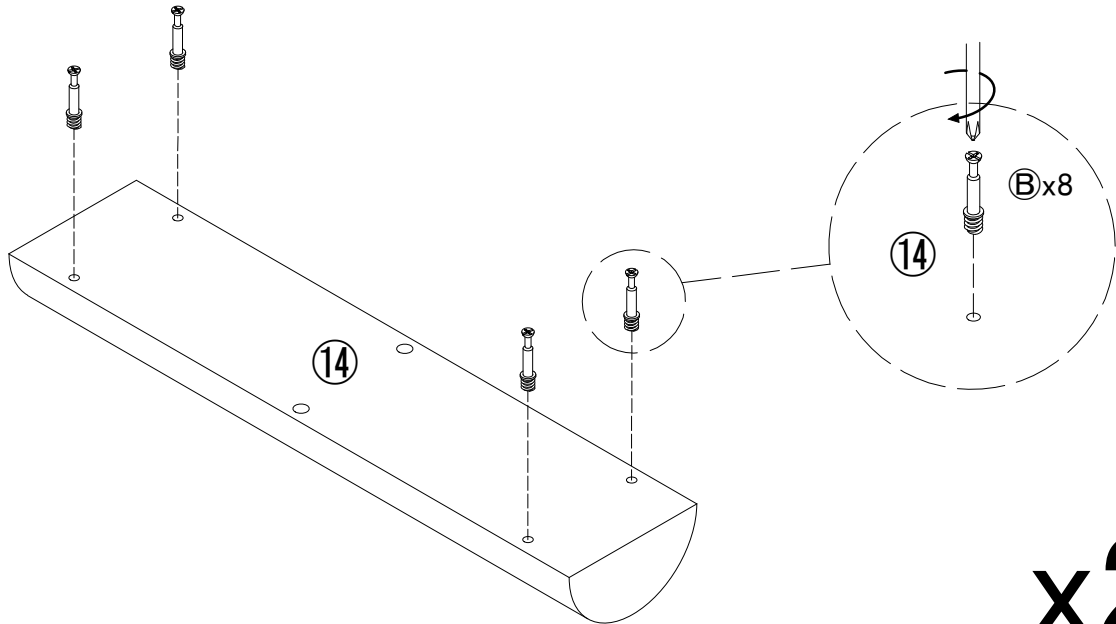


## Step 3

Fully tighten 8 pcs cam screw **B** to 2 pcs part **14**, fix by using phillips screwdriver **D**.

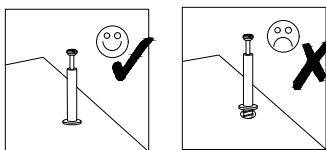




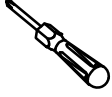
<b>D</b> x1	<b>B</b> x8
	 Ø6x35 mm

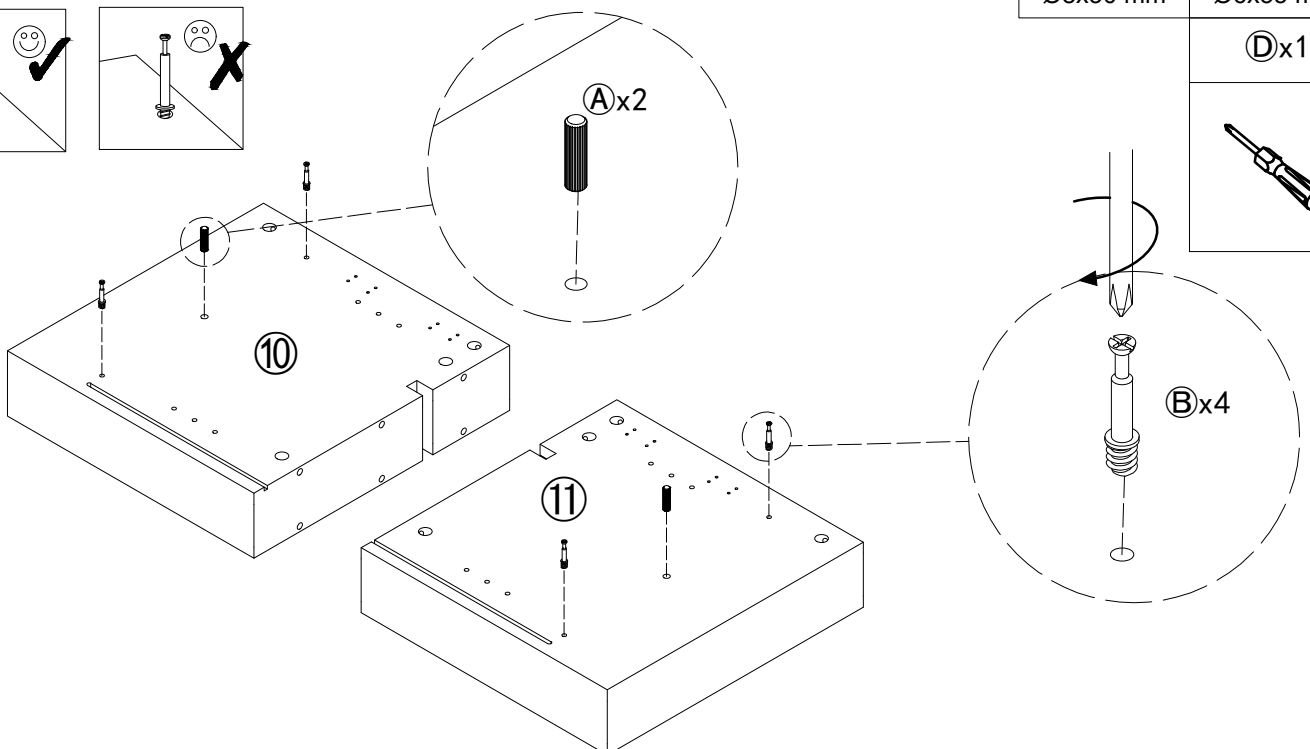


## Step 4

Fully tighten 4 pcs cam screw **B** to part **10** and part **11**, fix by using phillips screwdriver **D**. Tighten until the shoulder is against the surface of the board. Then insert 2 pcs wood dowel **A** to part **10** and part **11**.

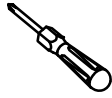



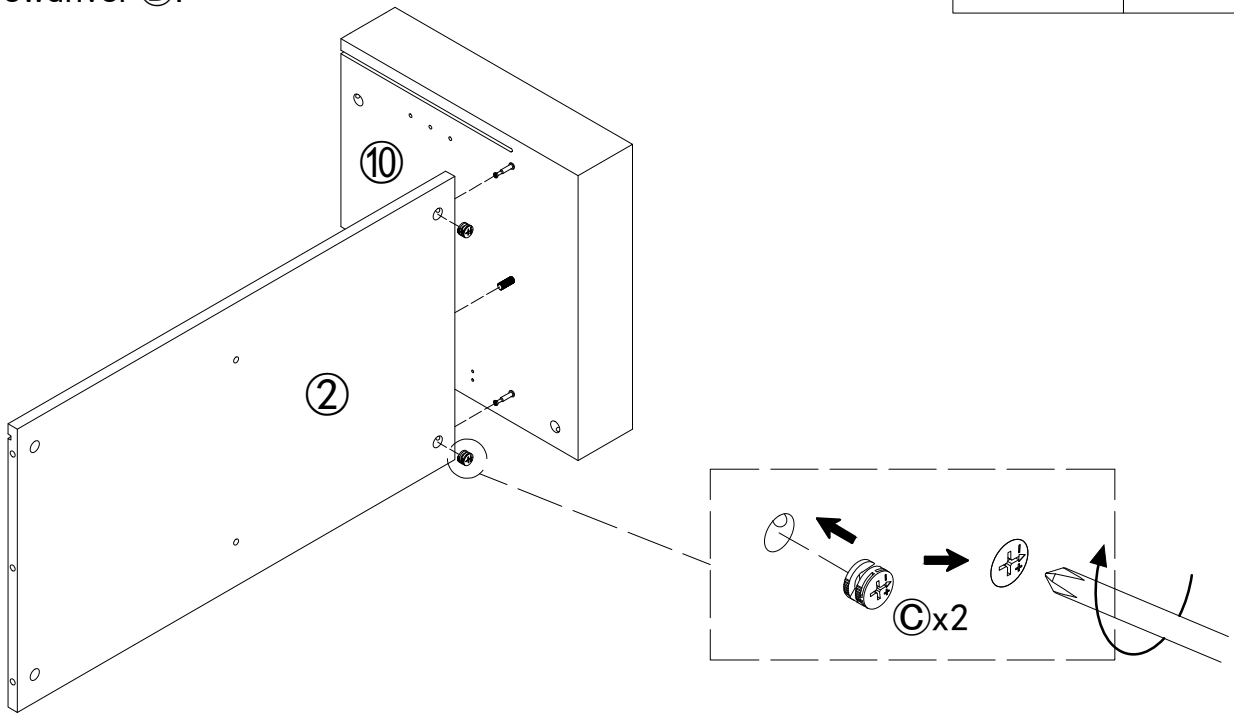
<b>A</b> x2	<b>B</b> x4
 Ø8x30 mm	 Ø6x35 mm
	<b>D</b> x1
	



## Step 5

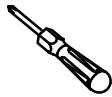

Insert part ⑩ into part ②. Push 2 pcs hidden cam ③ into the part ②, the ARROW in the hidden cam ③ must point to cam screw ④ before inserting to the hidden cam holes. Then tighten hidden cam ③ by using phillips screwdriver ⑤.

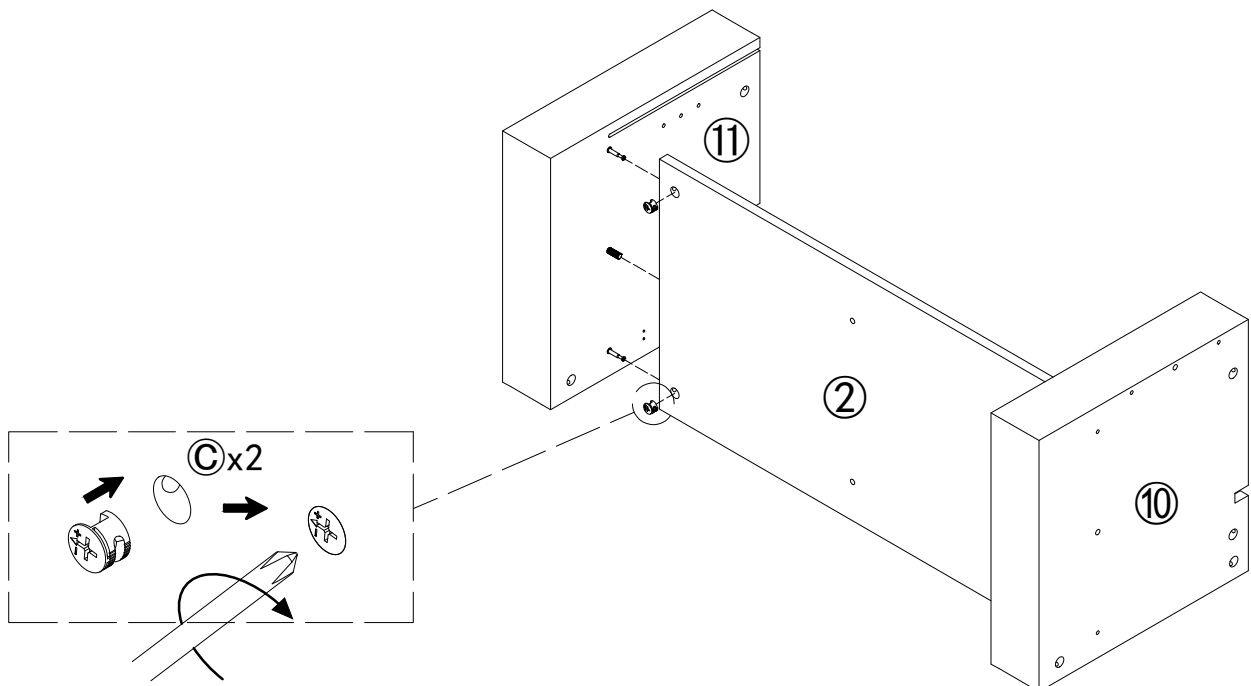
⑤x1	③x2
	 Ø15x10 mm



## Step 6




Insert part ⑪ into part ②. Push 2 pcs hidden cam ③ into the part ②, the ARROW in the hidden cam ③ must point to cam screw ④ before inserting to the hidden cam holes. Then tighten hidden cam ③ by using phillips screwdriver ⑤.

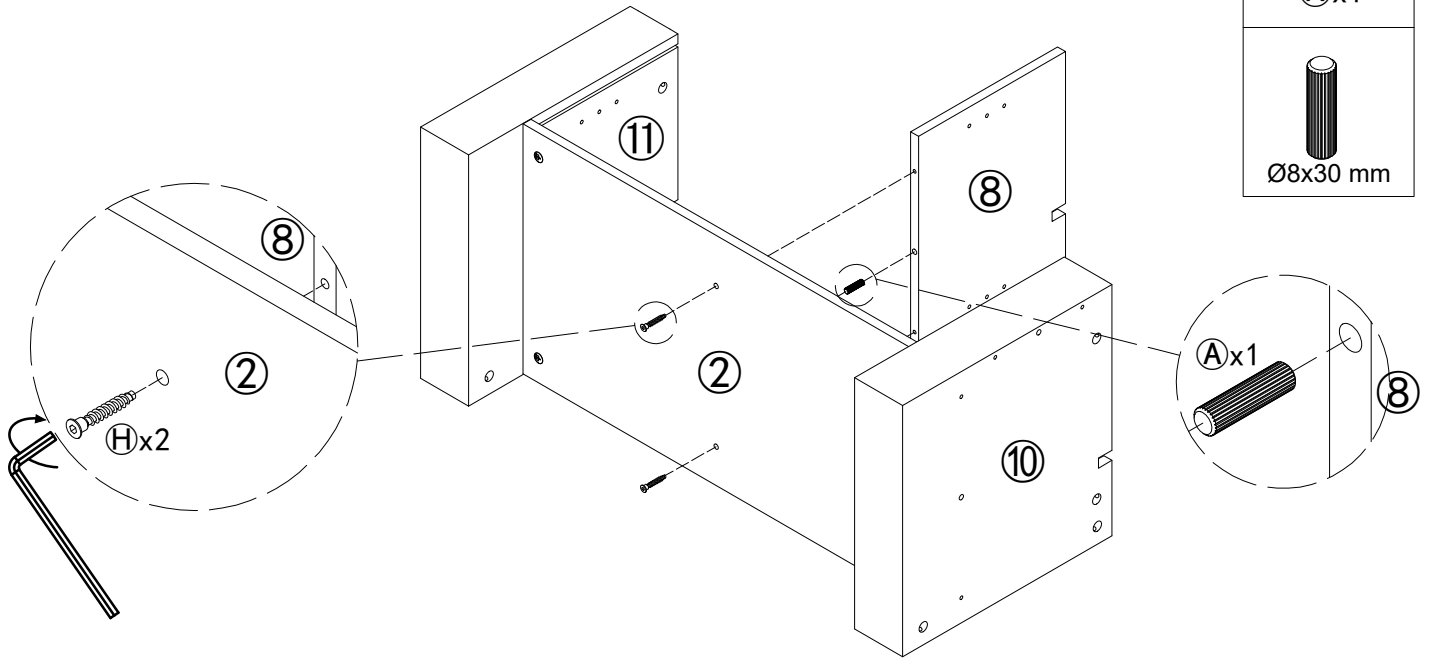
⑤x1	③x2
	 Ø15x10 mm



## Step 7

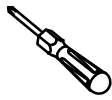


Insert 1 pc wood dowel (A) to part (8). Then attached part (8) to part (2). Fix part (8) to part (2) by using 2 pcs hex head self tapping screw (H) and allen key (E).

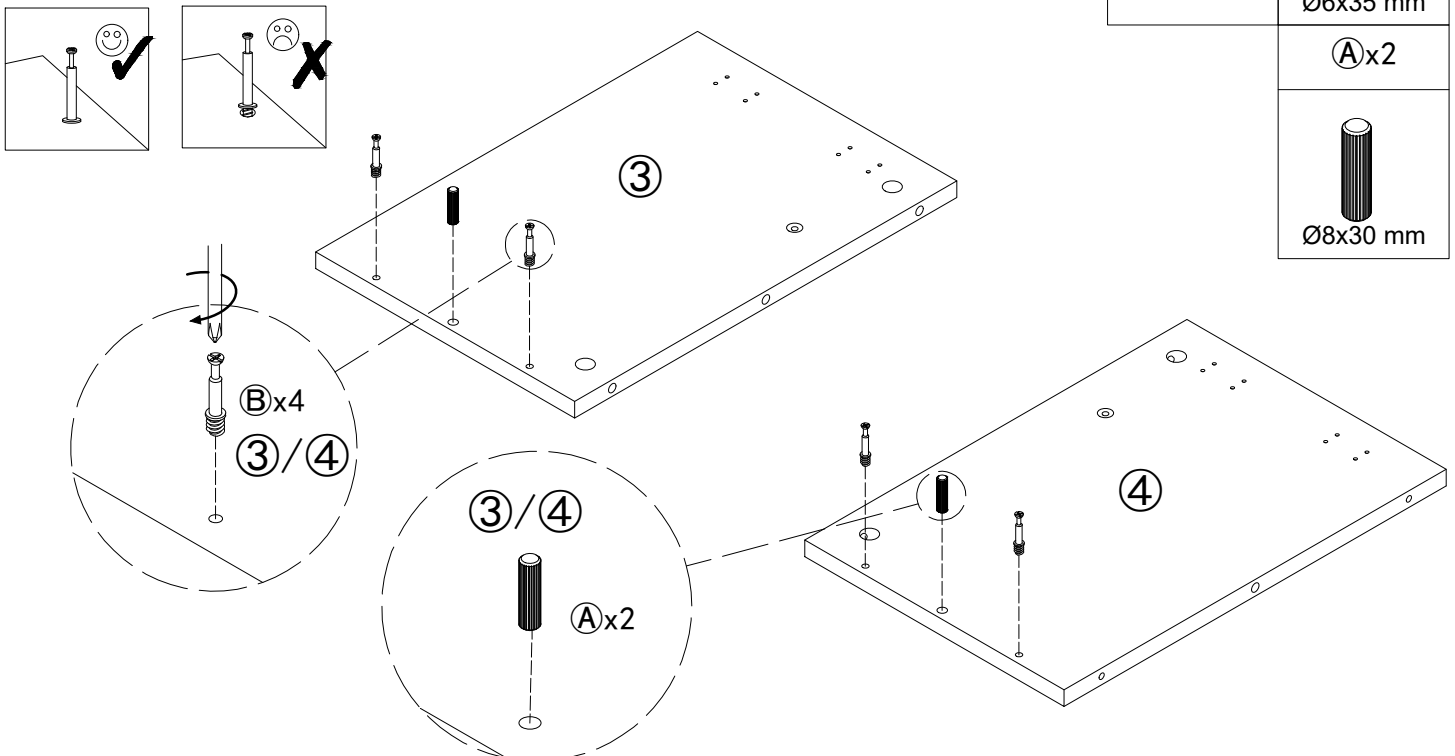
(E)x1	(H)x2
	 7x40 mm
	(A)x1
	 Ø8x30 mm



## Step 8

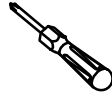

Fully tighten 4 pcs cam screw (B) to part (3) and part (4), fix by using phillips screwdriver (D). Tighten until the shoulder is against the surface of the board. Then insert 2 pcs wood dowel (A) to part (3) and part (4).

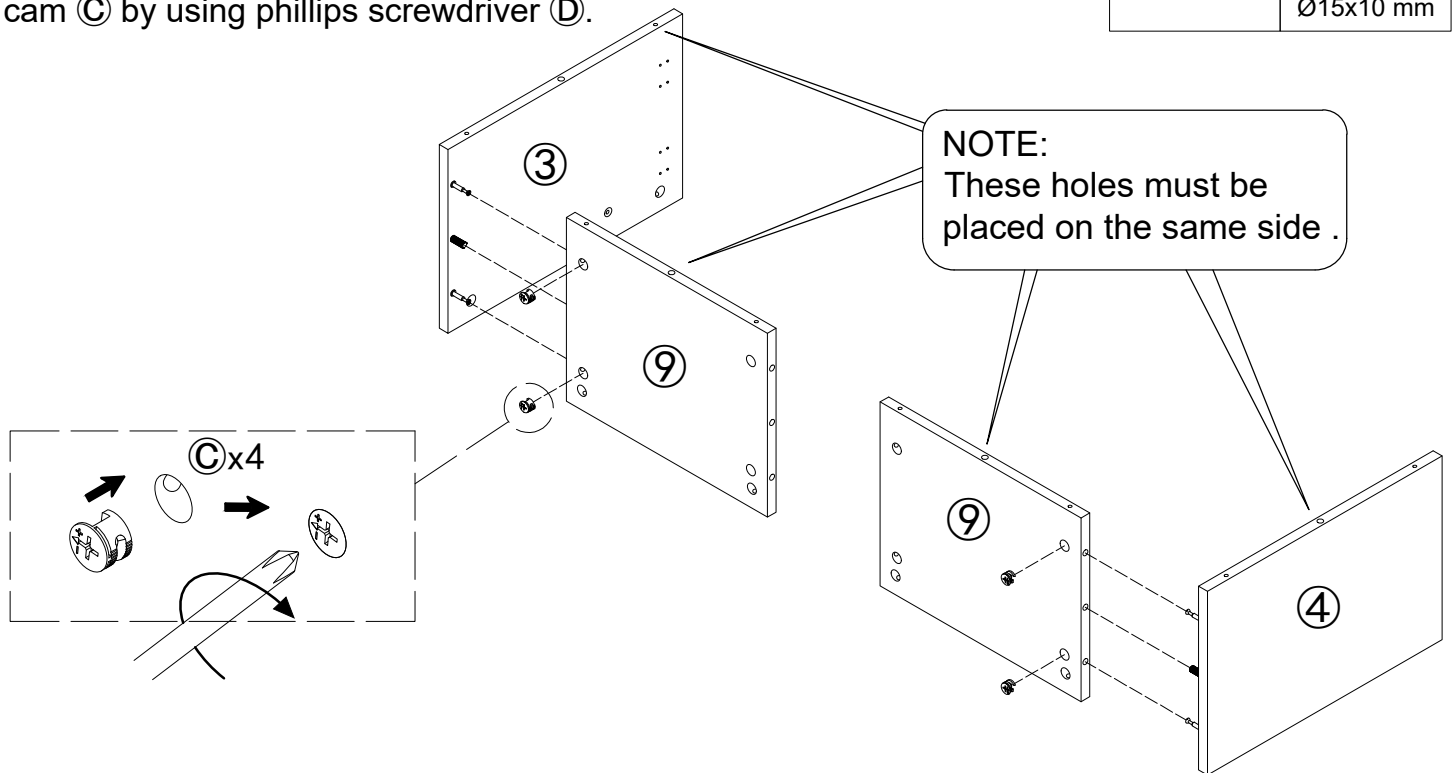
(D)x1	(B)x4
	 Ø6x35 mm
	(A)x2
	 Ø8x30 mm



## Step 9




Insert 2 pcs part ⑨ into part ③ and part ④. Push 4 pcs hidden cam ③ into the part ⑨, the ARROW in the hidden cam ③ must point to cam screw ② before inserting to the hidden cam holes. Then tighten hidden cam ③ by using phillips screwdriver ①.

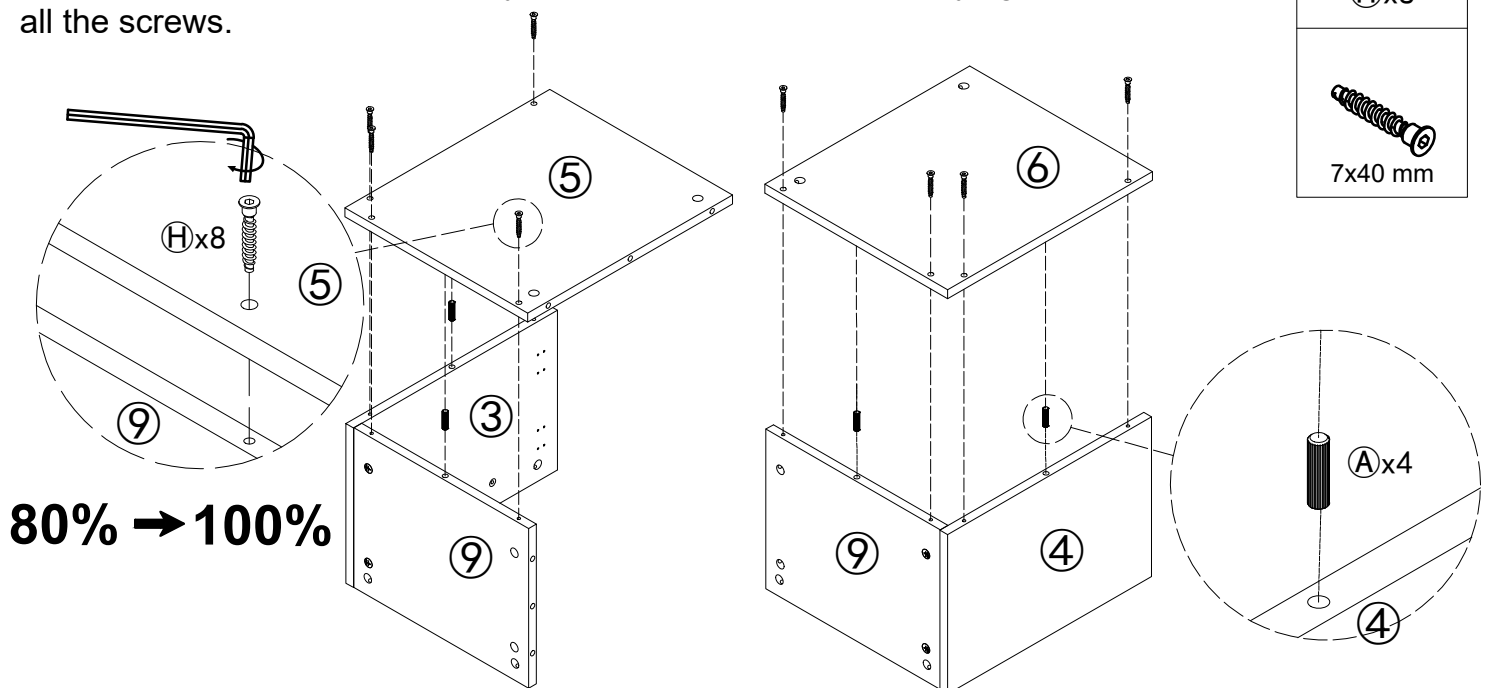
①x1	③x4
	 Ø15x10 mm



## Step 10

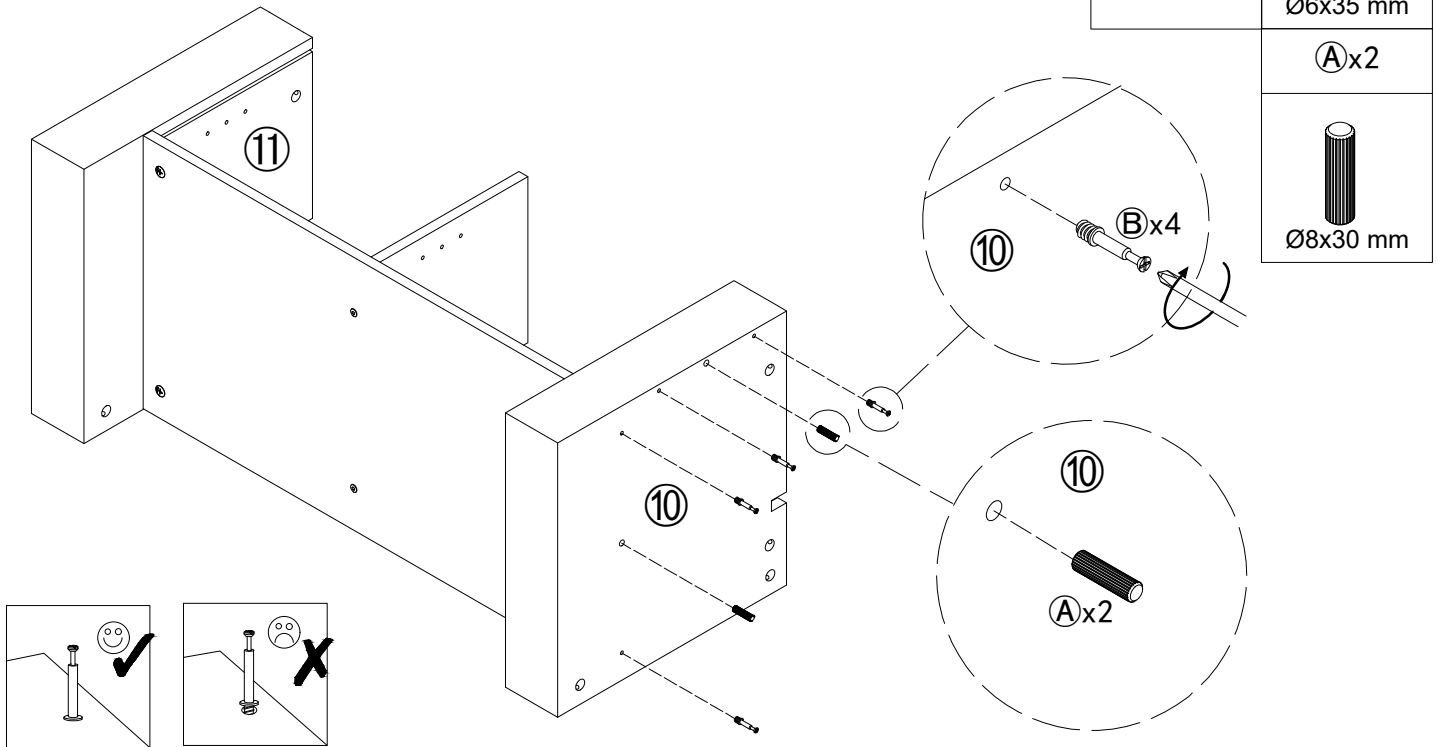
Insert 4 pcs wood dowel ① to part ③&⑨ and part ④&⑨. Then attached part ⑤ to part ③&⑨, attached part ⑥ part ④&⑨. Fix part ⑤ and part ⑥ to part ③&⑨ and part ④&⑨ by using 8 pcs hex head self tapping screw ② and allen key ③. **DO NOT TIGHTEN COMPLETELY AT THE BEGINNING.** After every screws are in place, then fully tighten all the screws.

①x4	③x1
 Ø8x30 mm	
	②x8
	 7x40 mm



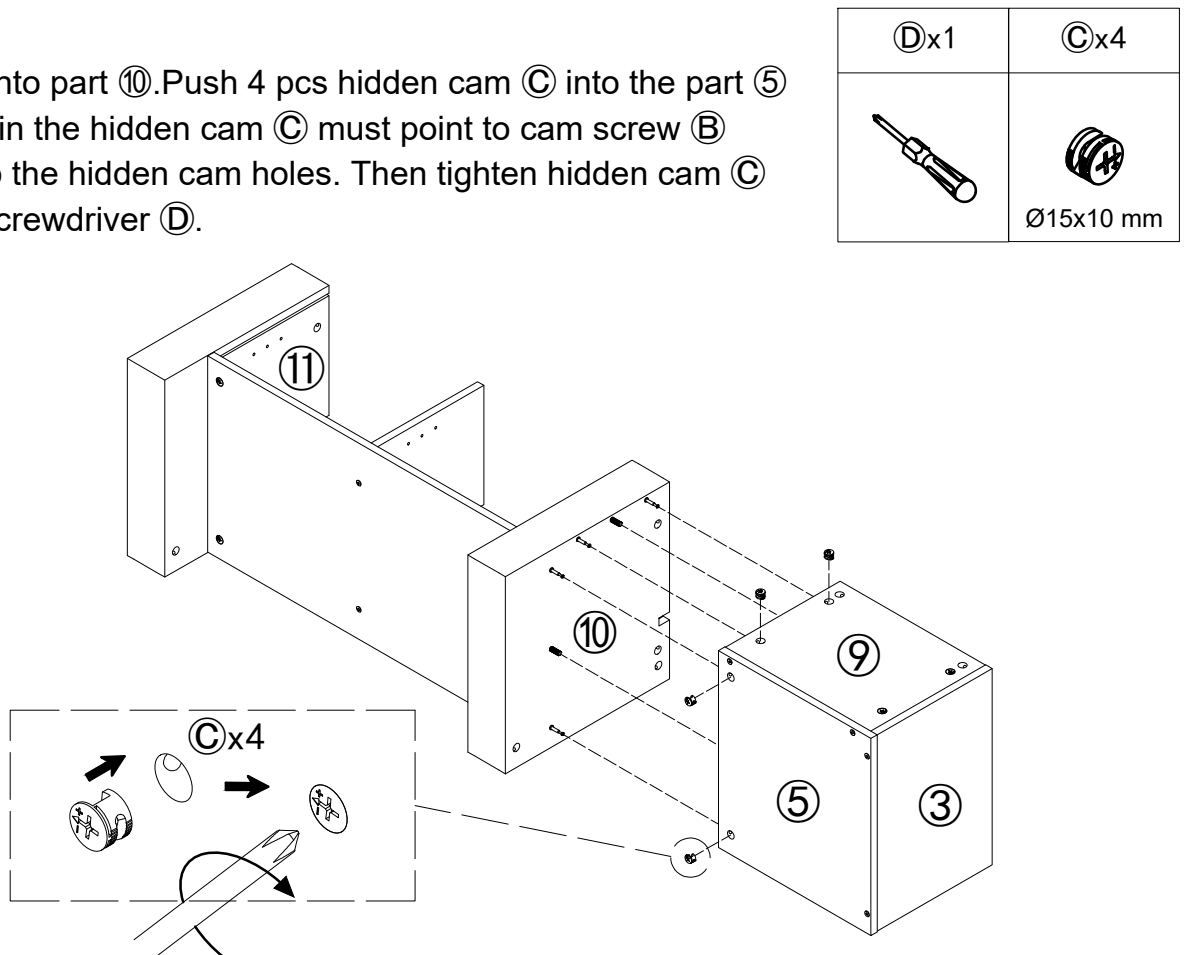
## Step 11

Fully tighten 4 pcs cam screw **B** to part **10**, fix by using phillips screwdriver **D**. Tighten until the shoulder is against the surface of the board. Then insert 2 pcs wood dowel **A** to part **10**.



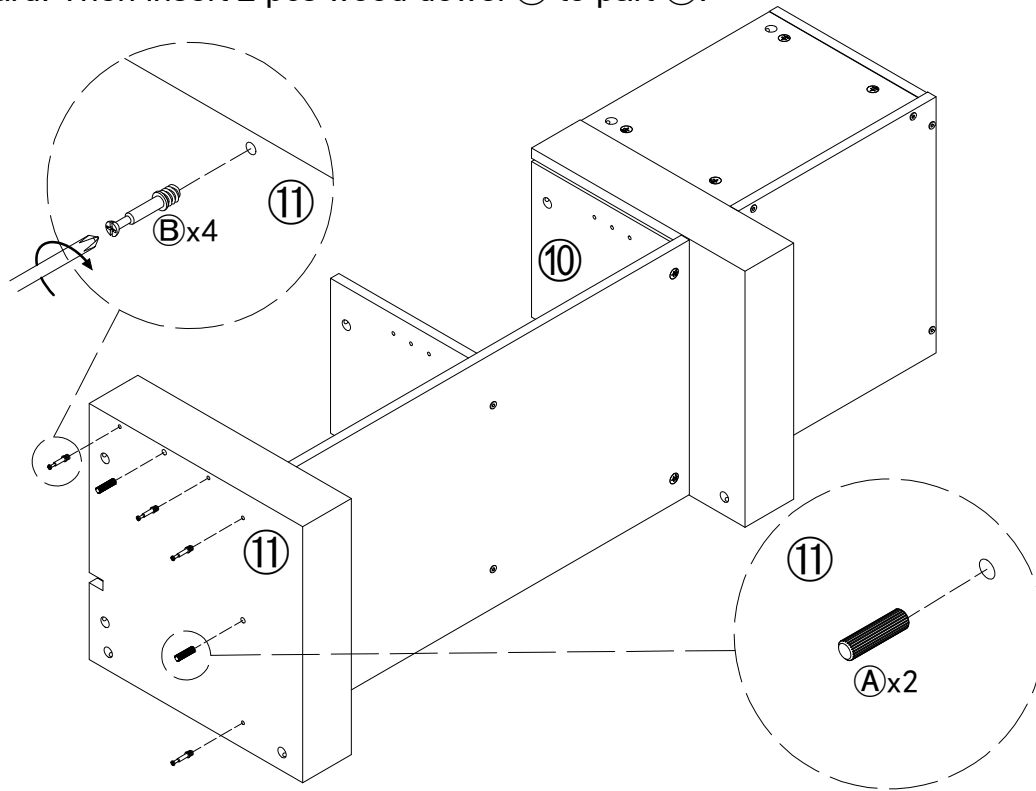
## Step 12

Insert part **5**&**9** into part **10**. Push 4 pcs hidden cam **C** into the part **5** & **9**, the ARROW in the hidden cam **C** must point to cam screw **B** before inserting to the hidden cam holes. Then tighten hidden cam **C** by using phillips screwdriver **D**.

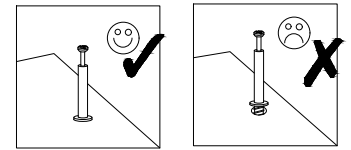


## Step 13

Fully tighten 4 pcs cam screw **B** to part **11**, fix by using phillips screwdriver **D**. Tighten until the shoulder is against the surface of the board. Then insert 2 pcs wood dowel **A** to part **11**.



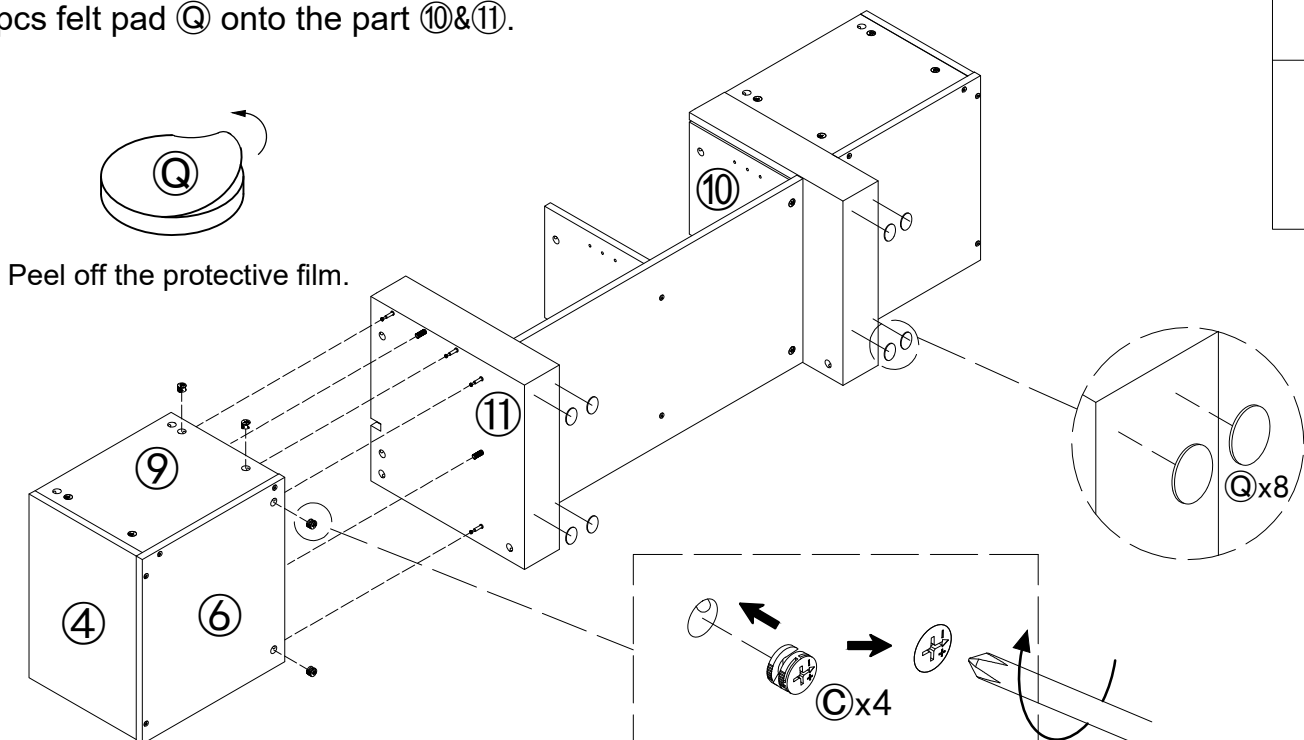
<b>D</b> x1	<b>B</b> x4
	 Ø6x35 mm
	<b>A</b> x2
	 Ø8x30 mm



## Step 14

Insert part **6**&**9** into part **11**. Push 4 pcs hidden cam **C** into the part **6** &**9**, the ARROW in the hidden cam **C** must point to cam screw **B** before inserting to the hidden cam holes. Then tighten hidden cam **C** by using phillips screwdriver **D**. Peel off the protective film, then stick 8 pcs felt pad **Q** onto the part **10**&**11**.

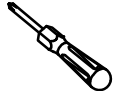


<b>D</b> x1	<b>C</b> x4
	 Ø15x10 mm
	<b>Q</b> x8

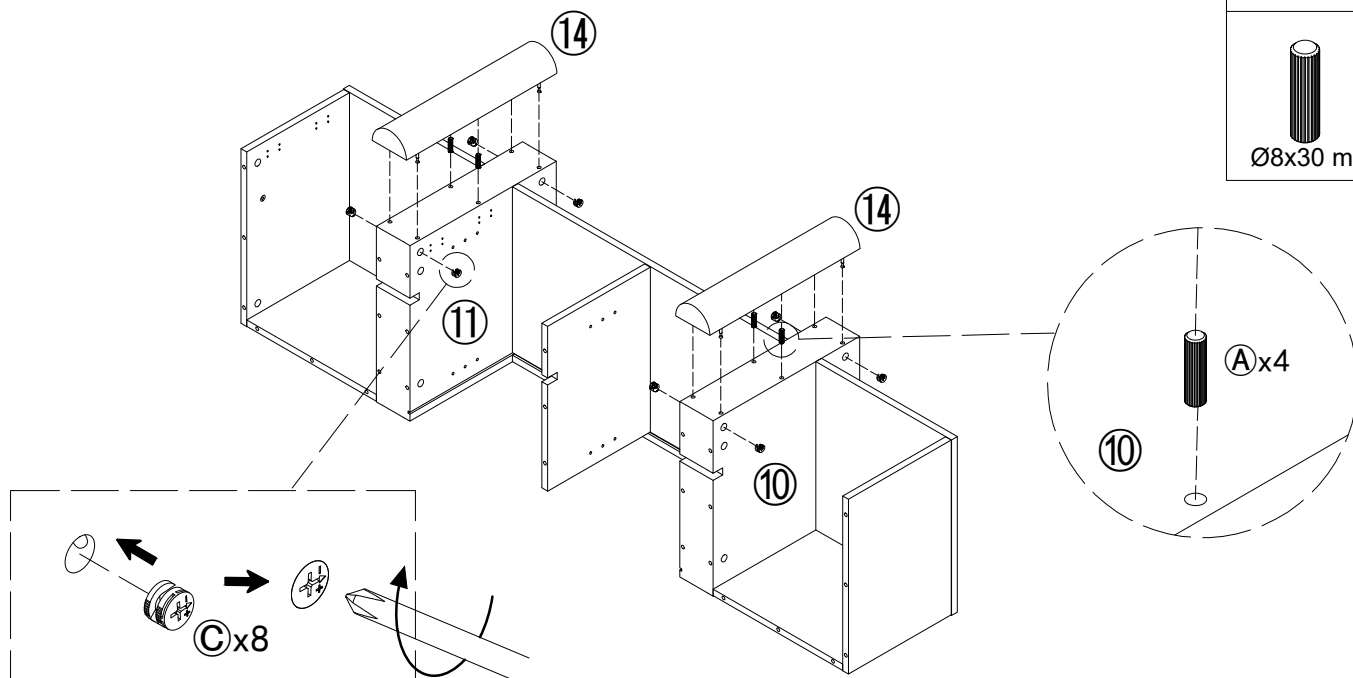


Peel off the protective film.

## Step 15

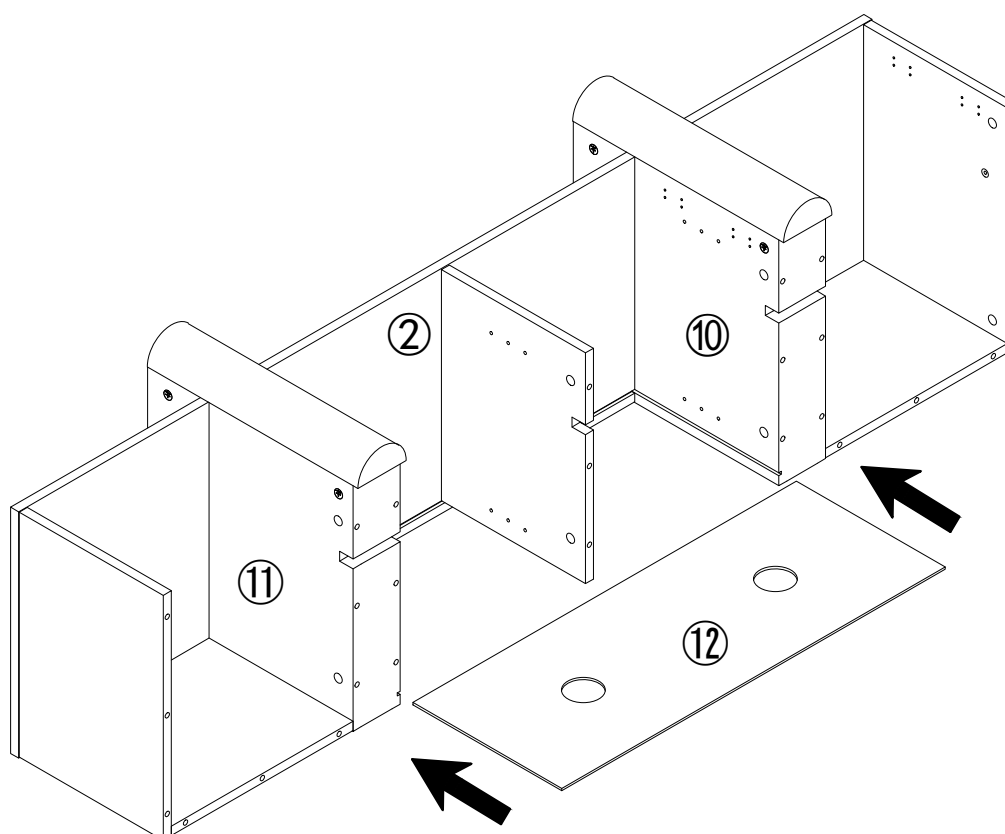
Insert 4 pcs wood dowel (A) to part (10) and part (11). Then attached 2 pcs part (14) to part (10) and part (11), push 8 pcs hidden cam (C) into the part (10) and part (11), the ARROW in the hidden cam (C) must point to cam screw (B) before inserting to the hidden cam holes. Then tighten hidden cam (C) by using phillips screwdriver (D).

Dx1	Cx8
	 Ø15x10 mm
	Ax4
	 Ø8x30 mm



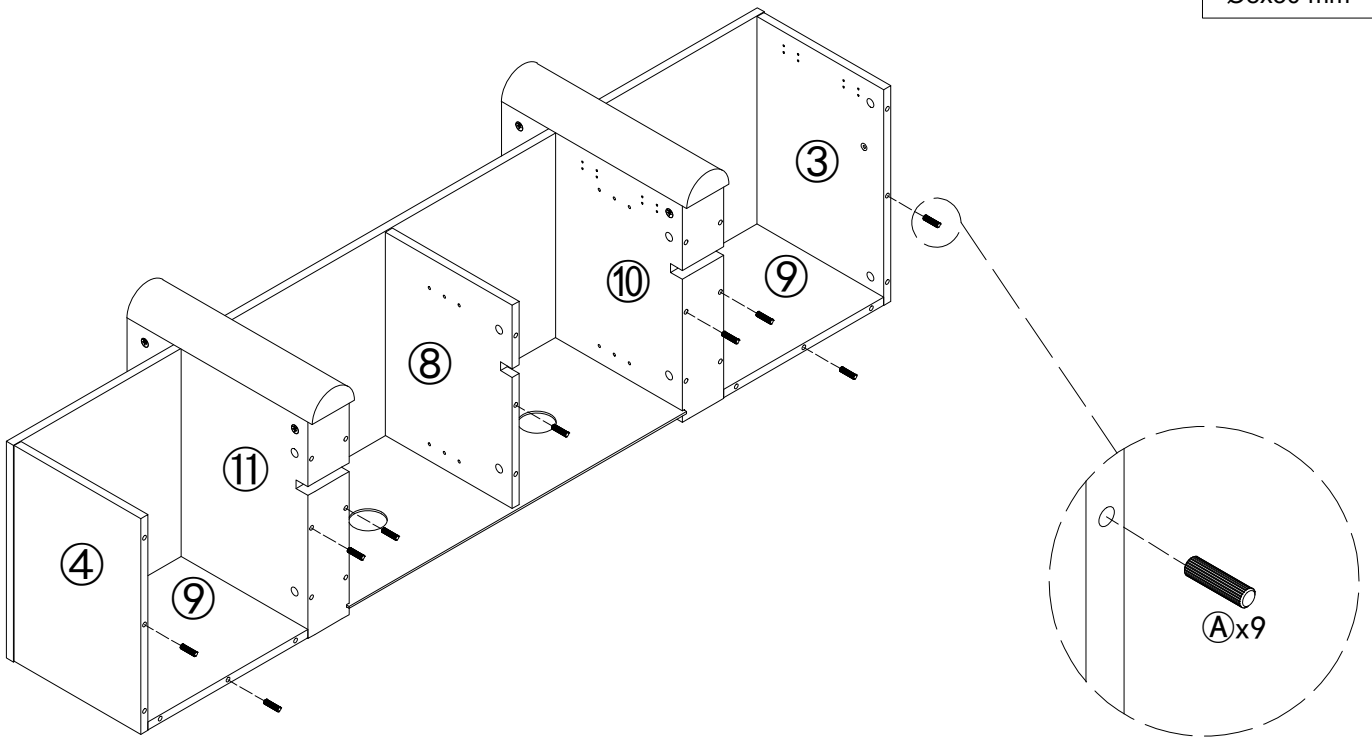
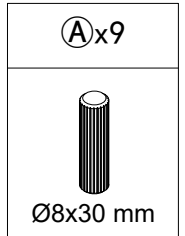
## Step 16

Insert part (12) among part (10)&(11).



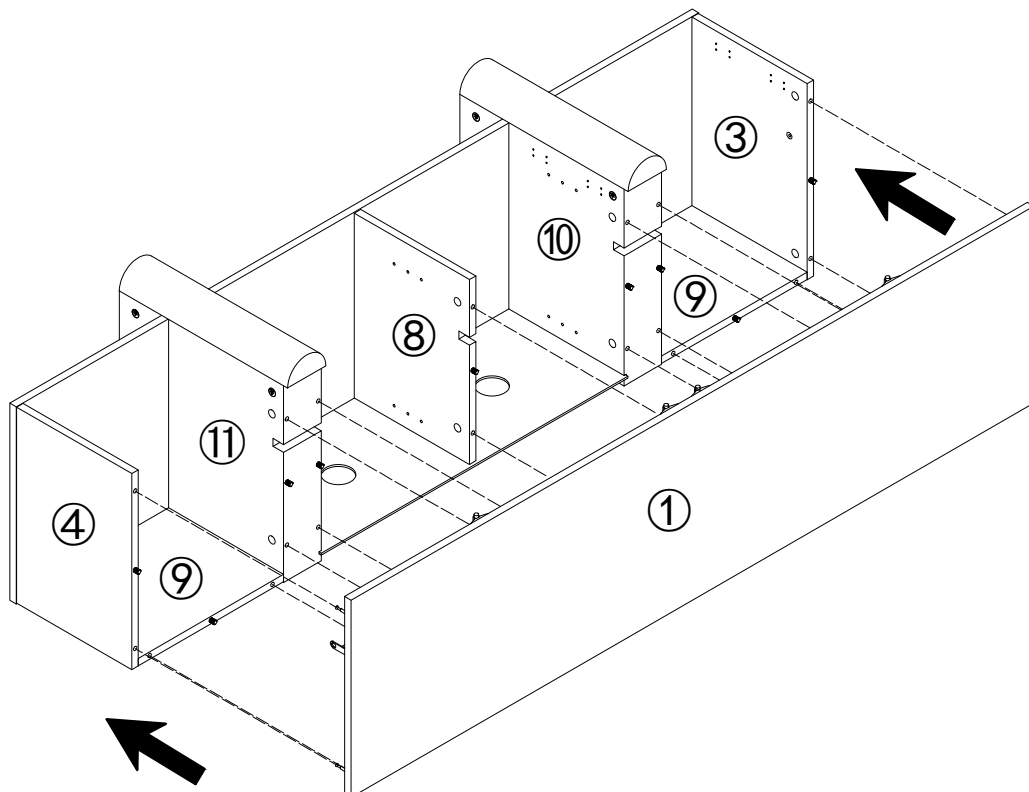
## Step 17

Insert 9 pcs wood dowel (A) to part ③&④&⑧&⑨&⑩&⑪.



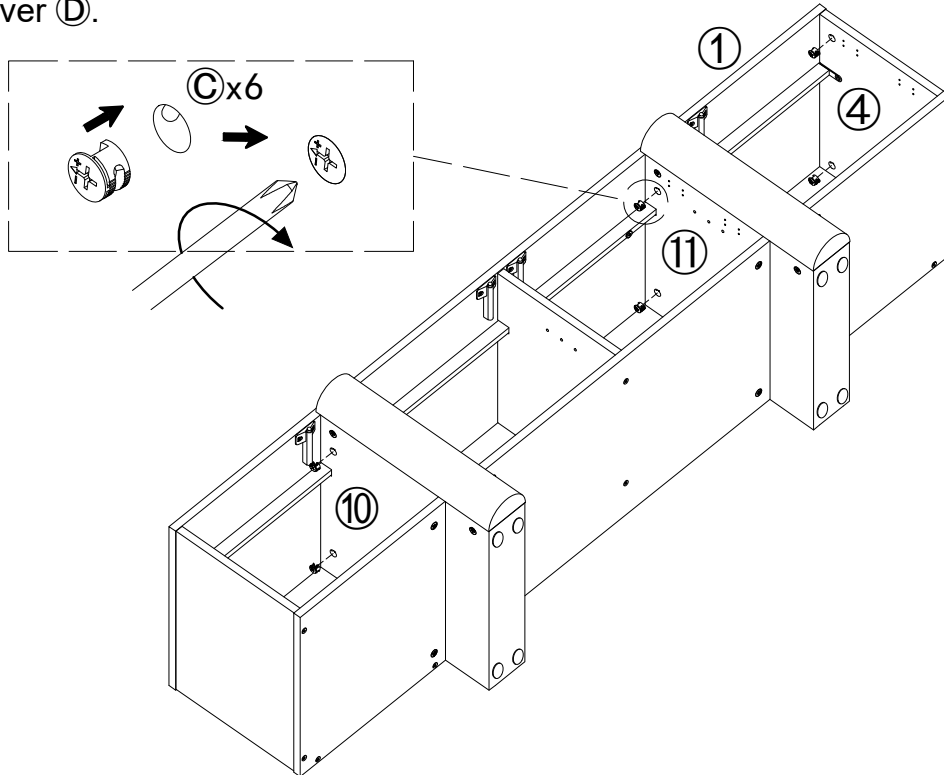
## Step 18

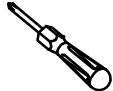

Insert part ① to part ③&④&⑧&⑨&⑩&⑪.



## Step 19

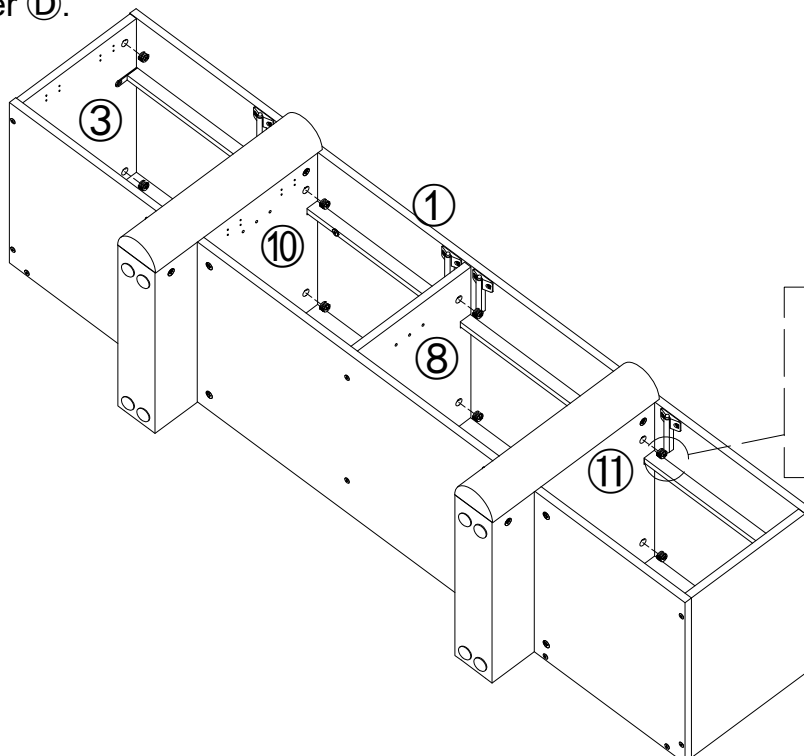
Push 6 pcs hidden cam **C** into the part **4**&**10**&**11**, the ARROW in the hidden cam **C** must point to cam screw **B** before inserting to the hidden cam holes. Then tighten hidden cam **C** by using phillips screwdriver **D**.

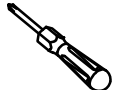



<b>D</b> x1	<b>C</b> x6
	 Ø15x10 mm

## Step 20



Push 8 pcs hidden cam **C** into the part **3**&**8**&**10**&**11**, the ARROW in the hidden cam **C** must point to cam screw **B** before inserting to the hidden cam holes. Then tighten hidden cam **C** by using phillips screwdriver **D**.

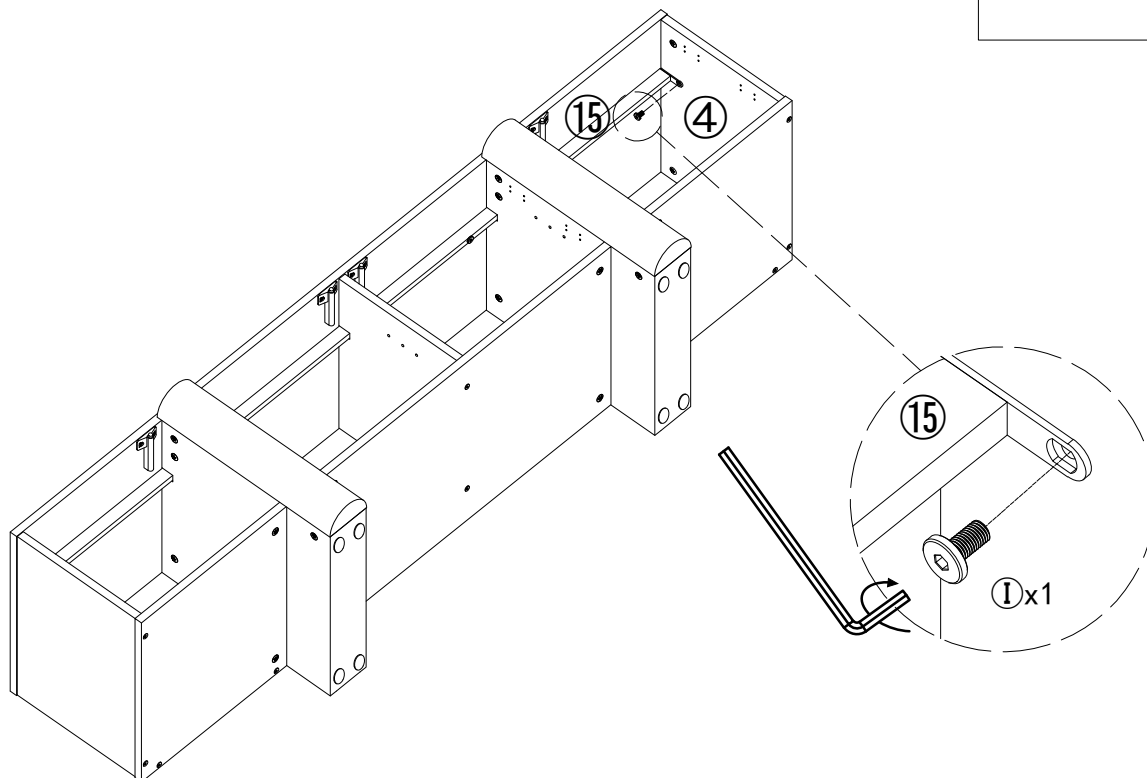


<b>D</b> x1	<b>C</b> x8
	 Ø15x10 mm

## Step 21



Fix part ⑮ to part ④ by using 1 pc allen bolt ① and allen key (E).

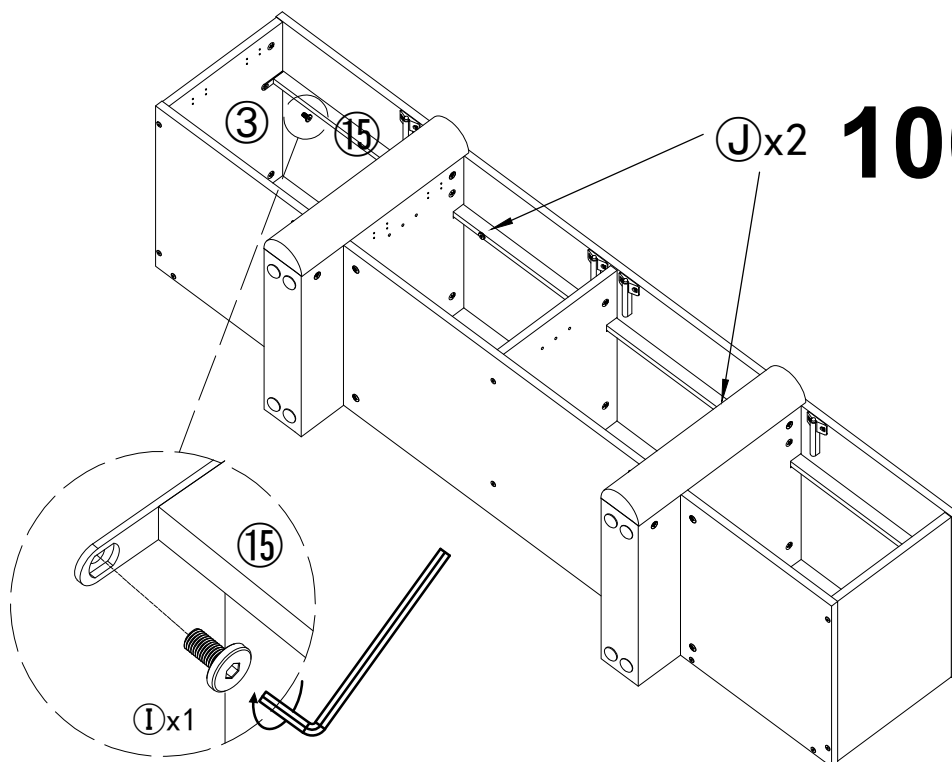
Ⓔx1	①x1
	 M6x12 mm



## Step 22

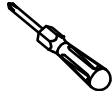

Fix part ⑮ to part ③ by using 1 pc allen bolt ① and allen key (E). After every bolts are in place, then fully tighten all the bolts ①&ⓙ.

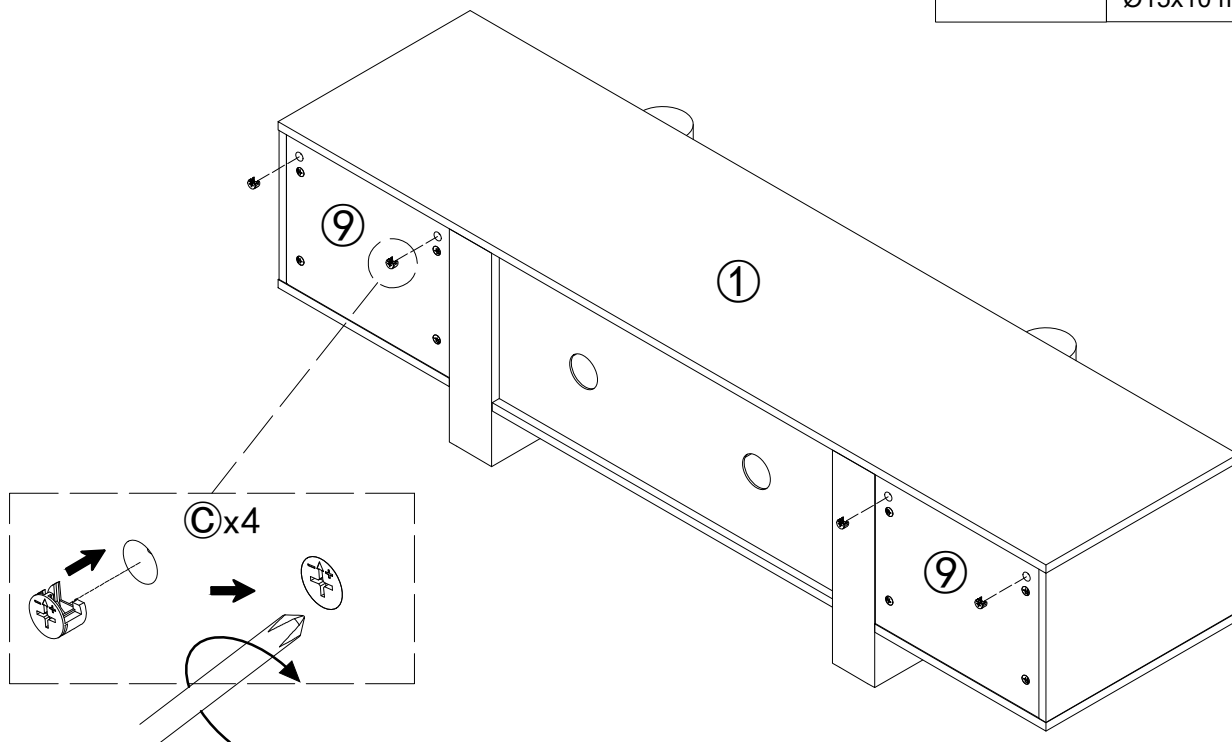
Ⓔx1	①x1
	 M6x12 mm



## Step 23


Push 4 pcs hidden cam **©** into the part **⑨**, the ARROW in the hidden cam **©** must point to cam screw **Ⓑ** before inserting to the hidden cam holes. Then tighten hidden cam **©** by using phillips screwdriver **Ⓓ**.

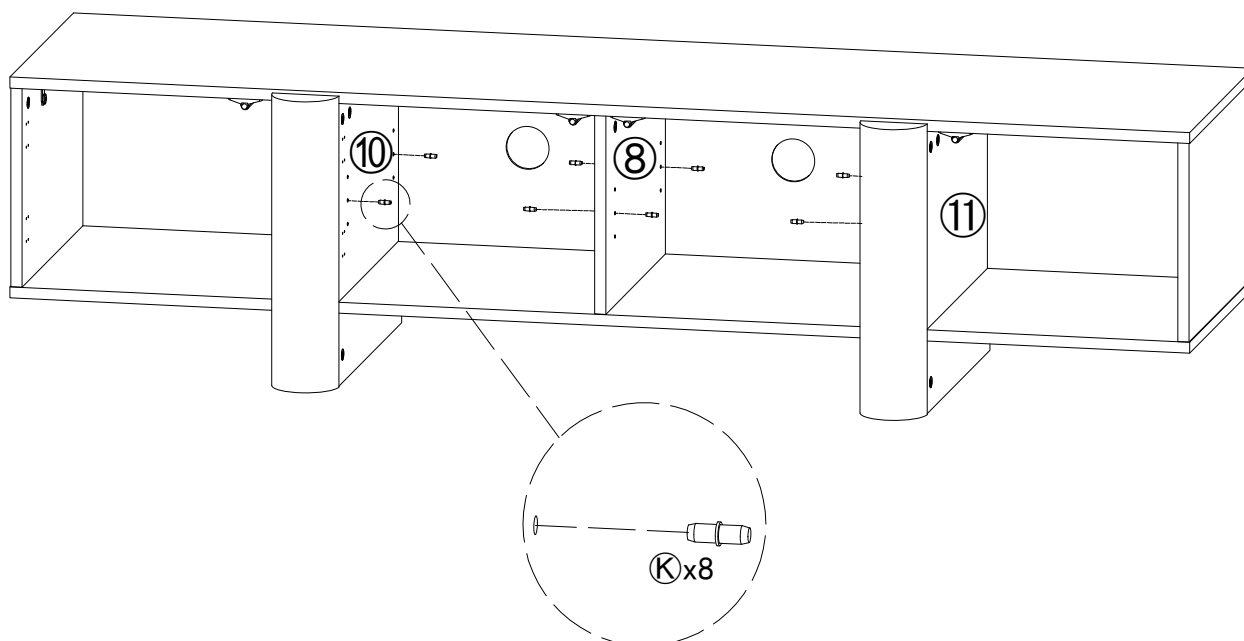
<b>Ⓓ</b> x1	<b>©</b> x4
	 Ø15x10 mm



## Step 24

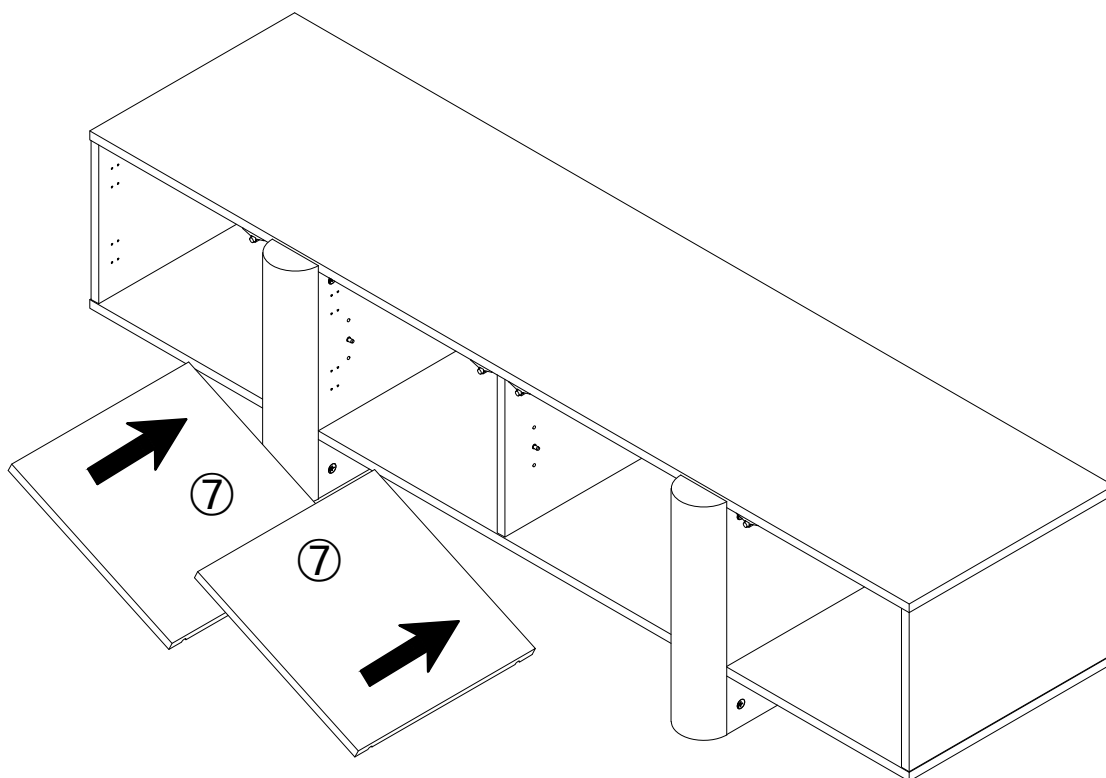
Insert 8 pcs shelf pin **Ⓚ** to the part **⑧&⑩&⑪**.

<b>Ⓚ</b> x8
 Ø5x15 mm



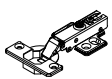

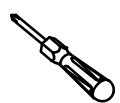
## Step 25

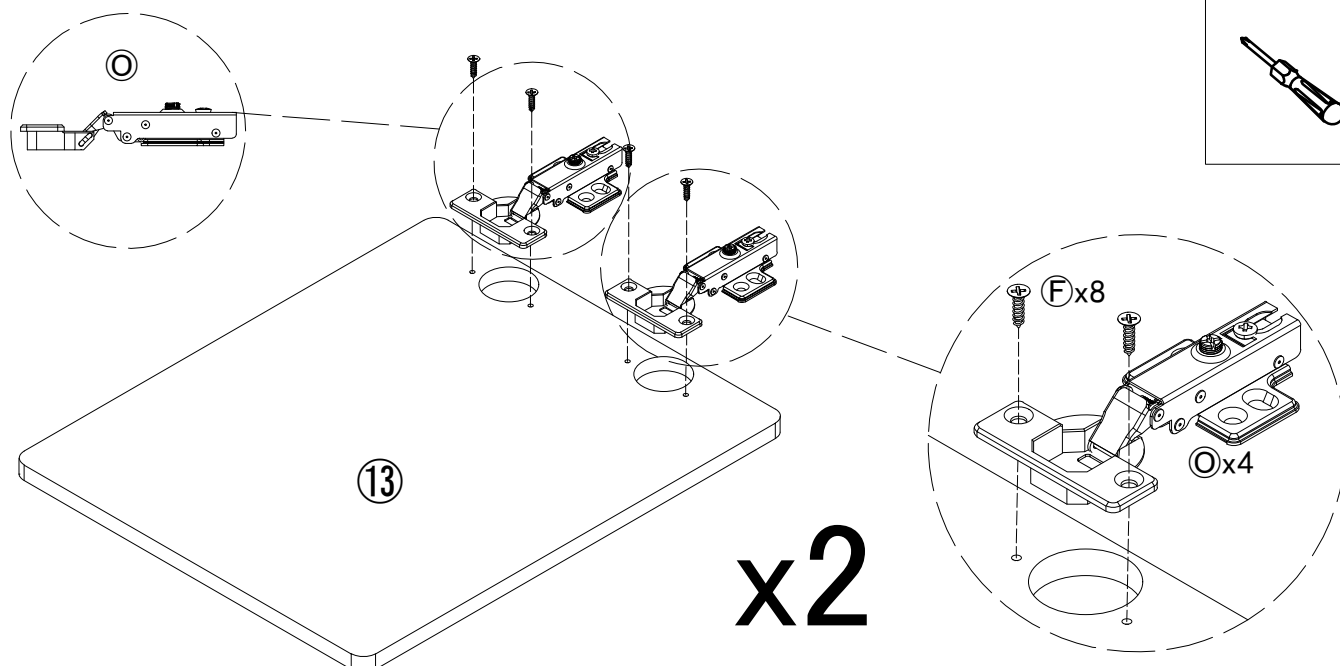
Slantingly insert 2 pcs part ⑦ into the cabinet.



## Step 26



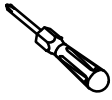
Fully tighten 4 pcs hinge ① to 2 pcs part ⑬, fix by using 8 pcs self tapping screw ② and phillips screwdriver (D).

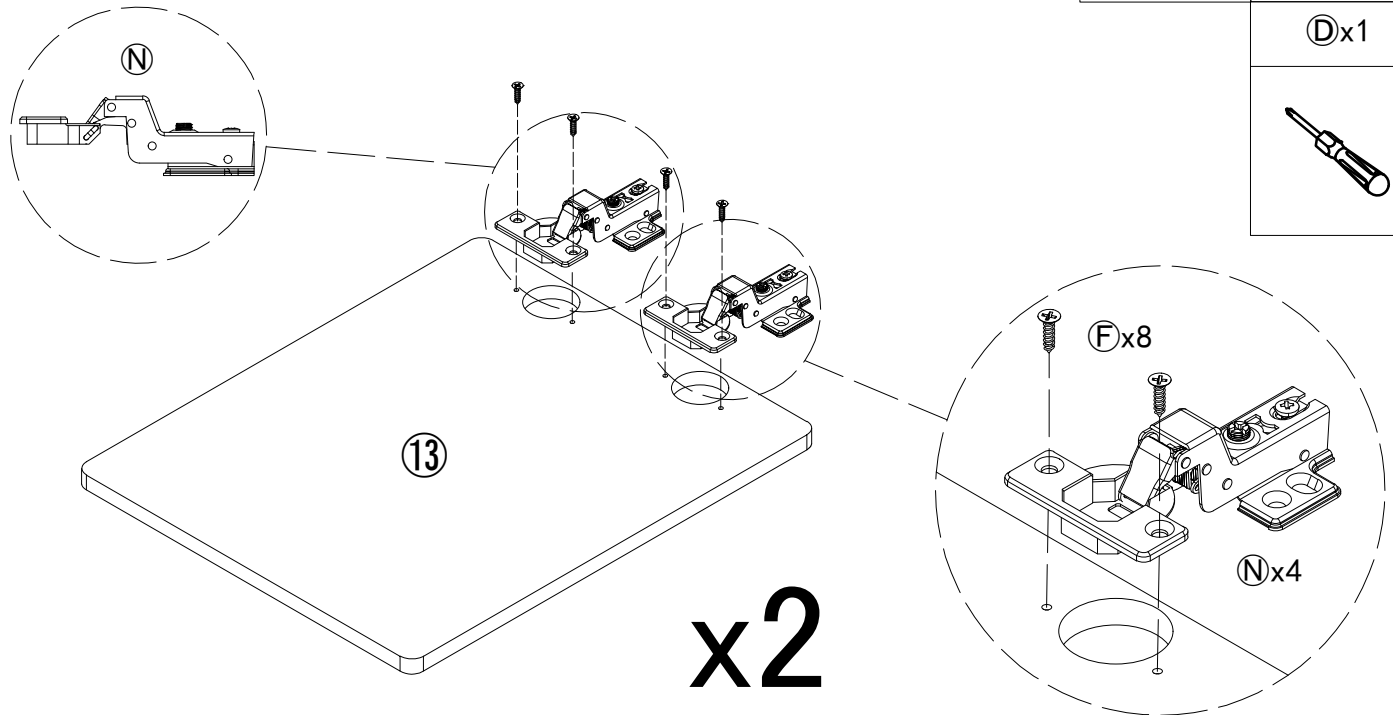
①x4	②x8
	 3.5x14 mm
	④x1
	



## Step 27

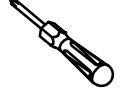

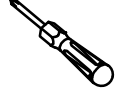
Fully tighten 4 pcs hinge (N) to 2 pcs part (13), fix by using 8 pcs self tapping screw (F) and phillips screwdriver (D).

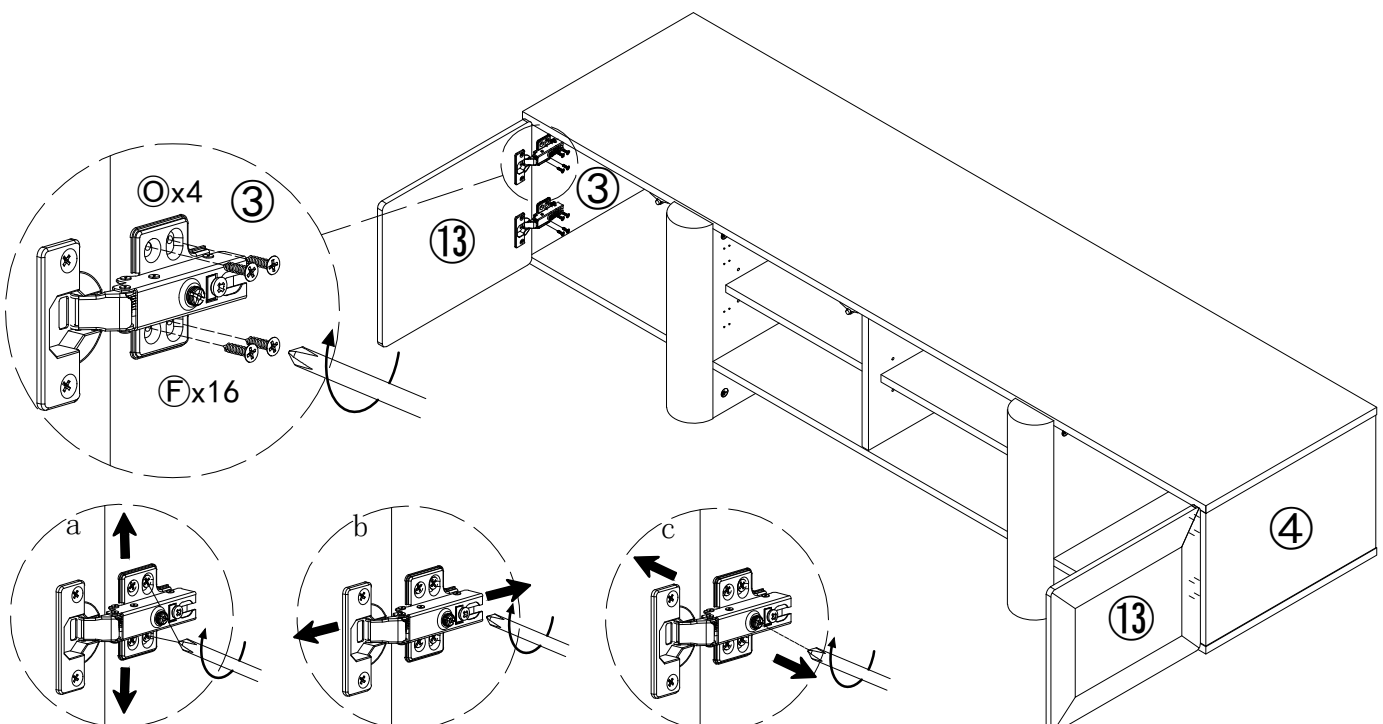
(N)x4	(F)x8
	 3.5x14 mm
	(D)x1
	



## Step 28

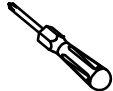

Attached 2 pcs part (13) with hinge (O) to part (3) and part (4), fix by using 16 pcs self tapping screw (F) and phillips screwdriver (D). DO NOT TIGHTEN COMPLETELY AT THE BEGINNING. ensuring the part (13) is placed horizontally, then FULLY TIGHTEN all self tapping screws (F).

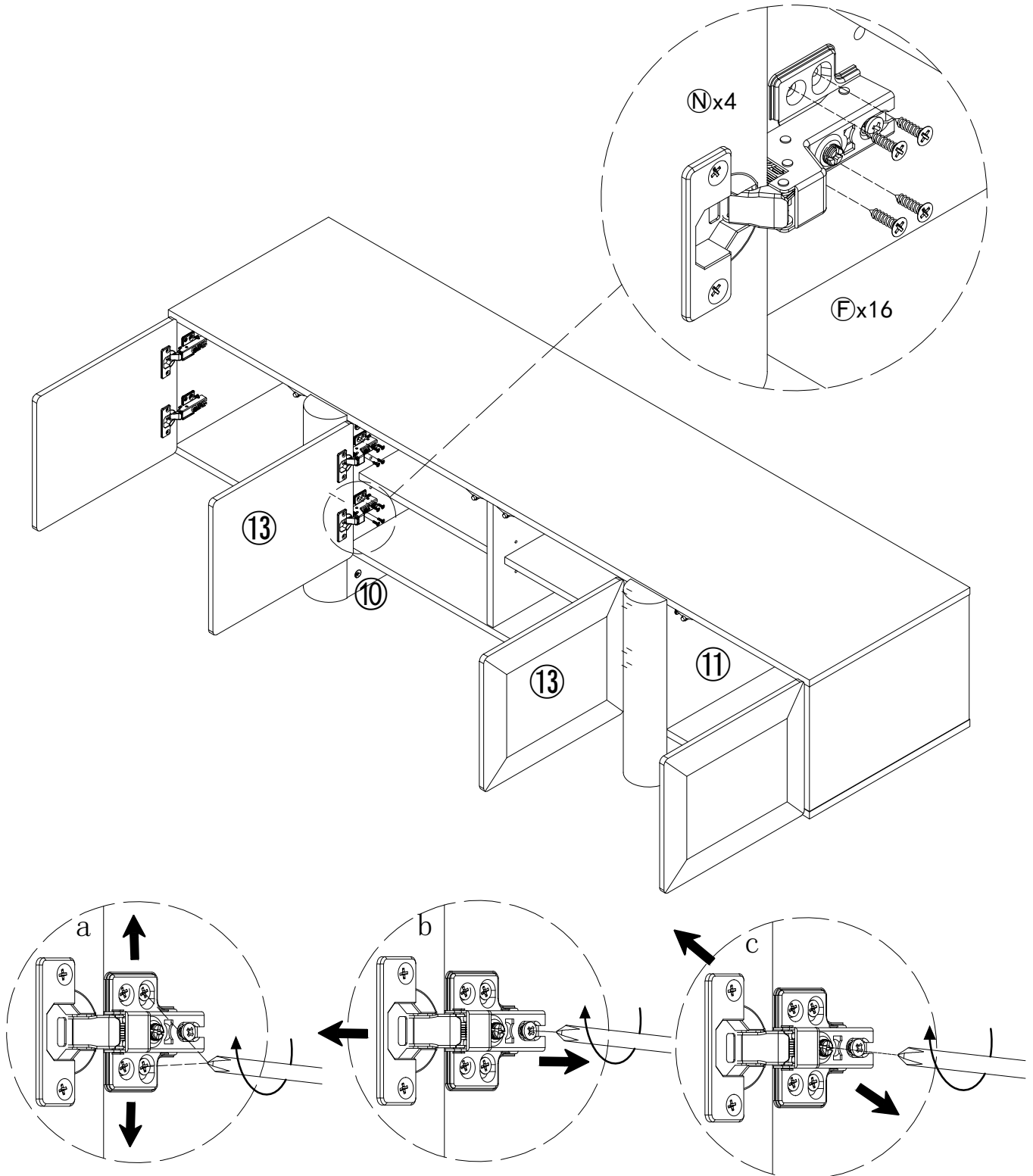
(O)x4	(F)x16
	 3.5x14 mm
	(D)x1
	



## Step 29

Attached 2 pcs part ⑬ with hinge ① to part ⑩ and part ⑪, fix by using 16 pcs self tapping screw ② and phillips screwdriver (D). DO NOT TIGHTEN COMPLETELY AT THE BEGINNING. ensuring the part ⑬ is placed horizontally, then FULLY TIGHTEN all self tapping screws ②.

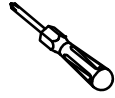

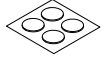

①x1	②x16
	 3.5x14 mm

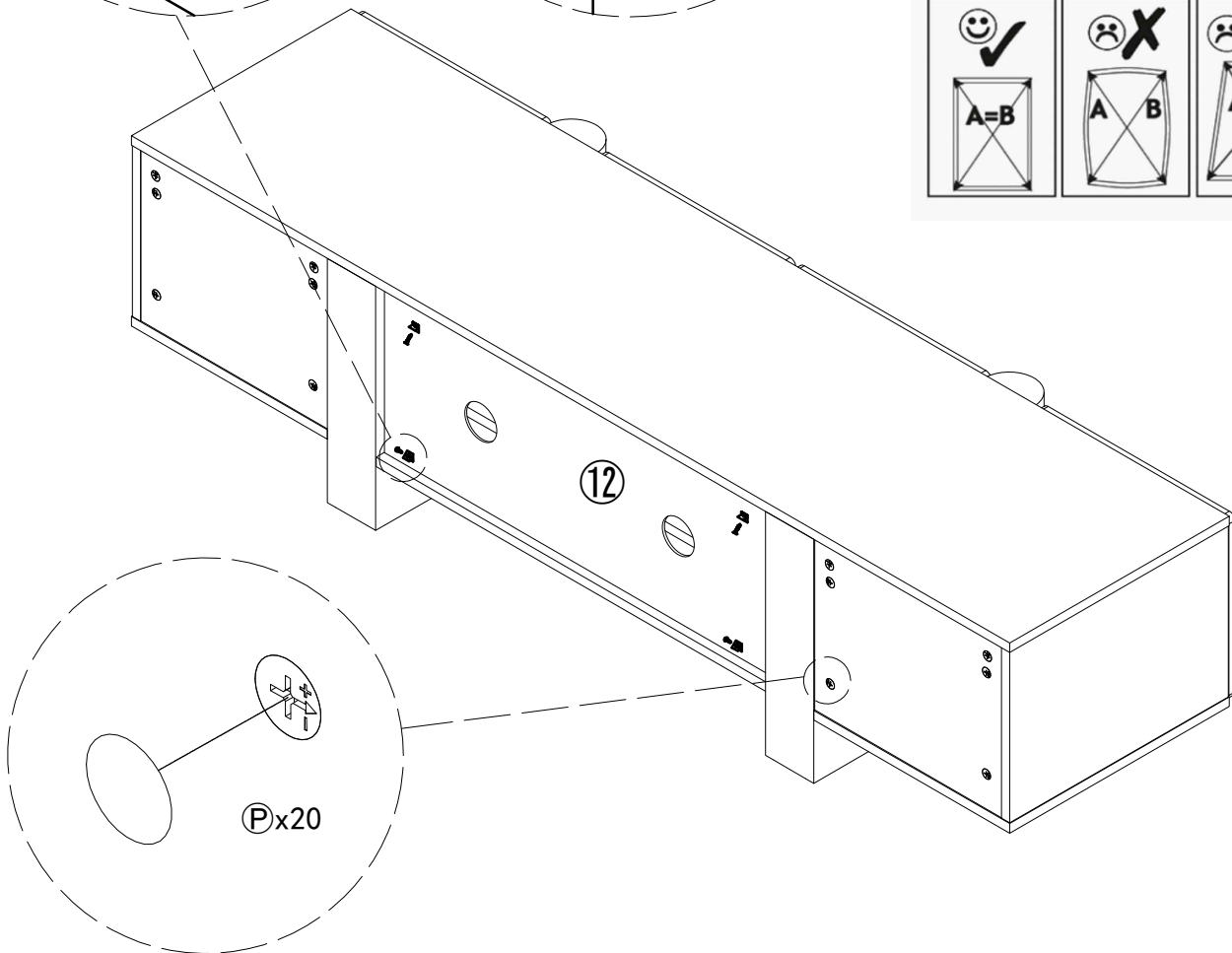
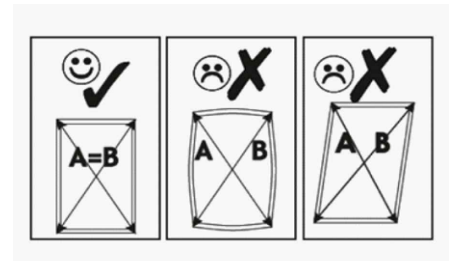
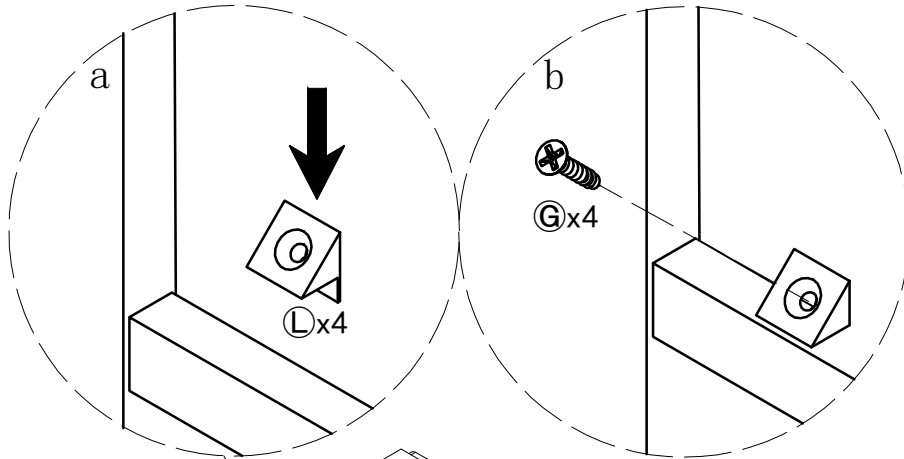


# Step 30

**ATTENTION PLEASE :** Please ensure the structure is straight and level and all panels are at right angles before installing the back buckles, **MUST** install back buckles to strengthen product stability.

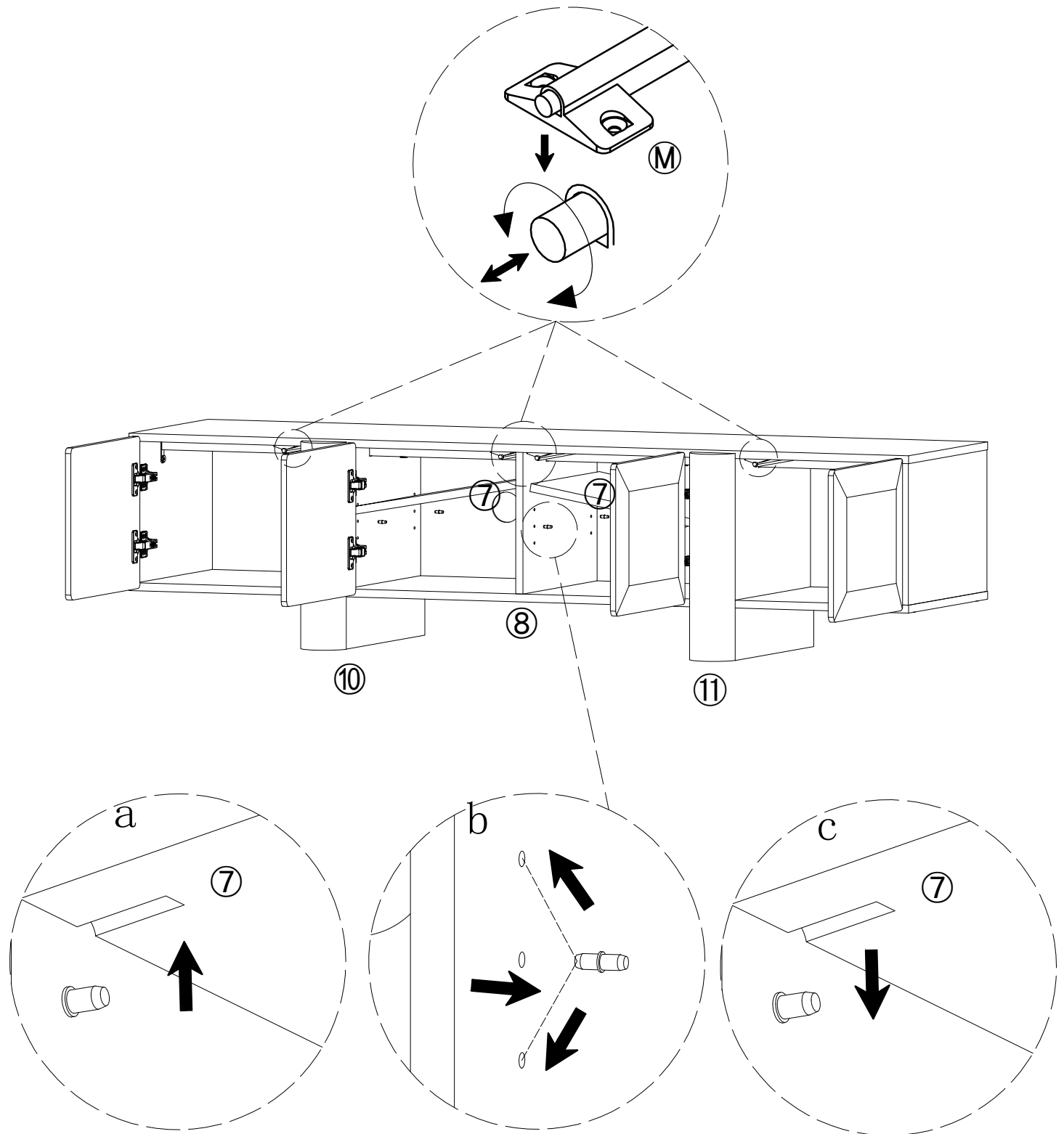
Attached 4 pcs back plate fastener (L) to cabinet, fix by using 4 pcs self tapping screw (G) and phillips screwdriver (D). You can cover these hidden cam holes on the cabine by using hole covers (P) for better appearance.

(D)x1	(G)x4
	 3x16 mm
(P)x20	(L)x4
	



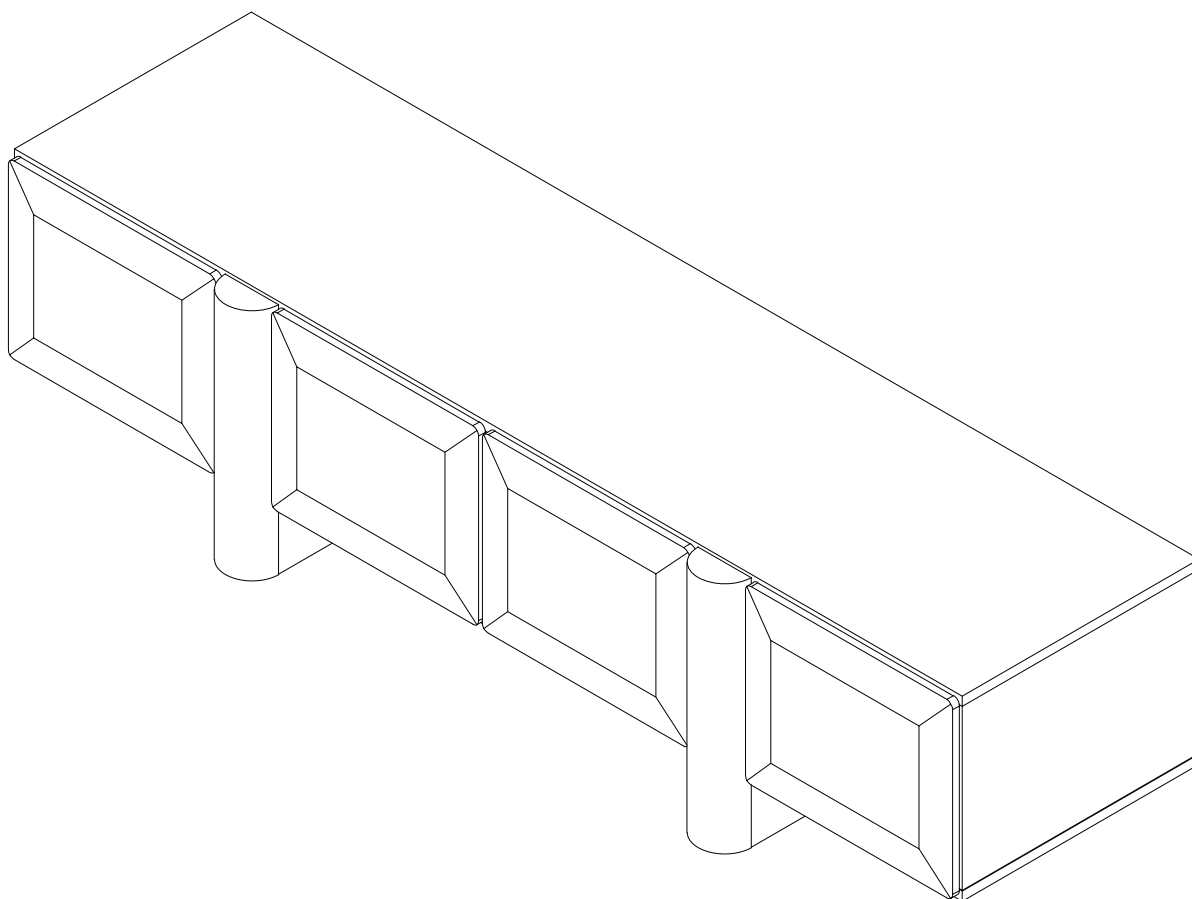
## Step 31

The front part of the push latch (M) can be rotated adjusted as needed. There are holes at 3 different height positions on part (8)&(10)&(11). You can move shelf pin (K) up and down to adjust the height of the shelf as needed.



# VOILA!

Now enjoy.



## Warning

DO NOT climb, sit, or stand on the TV Stand as this may damage the product and cause serious bodily injury.

# Something not right?

We are always here to help.

## **We make mistakes like every human does.**

Though we always strive to provide the best possible products at competitive prices and the best service in the industry, it's not possible to completely eliminate mistakes. If you experience any dissatisfaction, feel free to contact us immediately. Our in-house customer care team will respond ASAP.



[customerservice@luxenhome.com](mailto:customerservice@luxenhome.com)  
Get response within 24 hrs



909.548.6688  
Mon-Fri 9am-5pm PST/PDT



[www.luxenhome.com/help](http://www.luxenhome.com/help)  
Submit a ticket on our website

## **Things to do to expedite the process**

- Have your order# ready
- Take photos/videos to help us better identify the issues
- DO NOT throw away the packaging

# Happy with our product?

## Leave us a review

It really help us as a small business

- Find the product you purchased on our website (tip: search by SKU) and leave us a review.
- Alternatively, you can always return to the marketplace where you purchased it and leave a review there.

## Share with others

Our customers look for REAL stuff



- Follow us on IG @luxen.home
- Share your #liveluxen moments



**Please save this manual  
for future reference.**