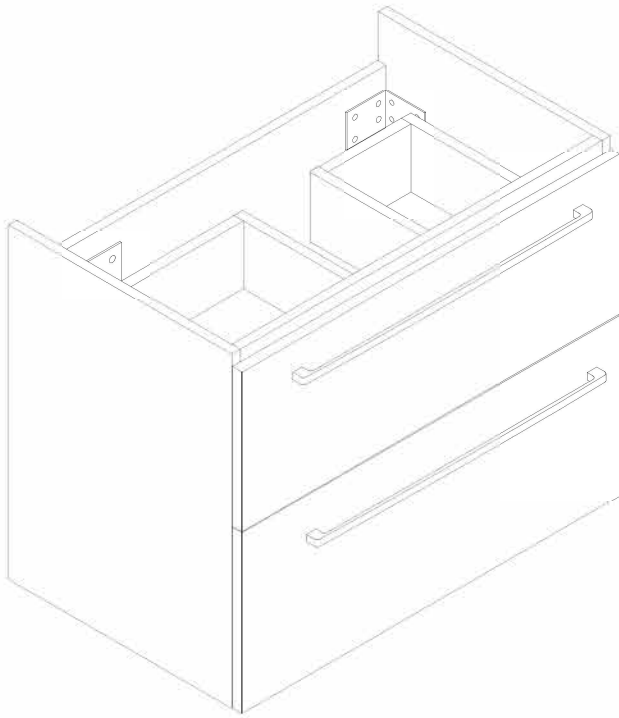


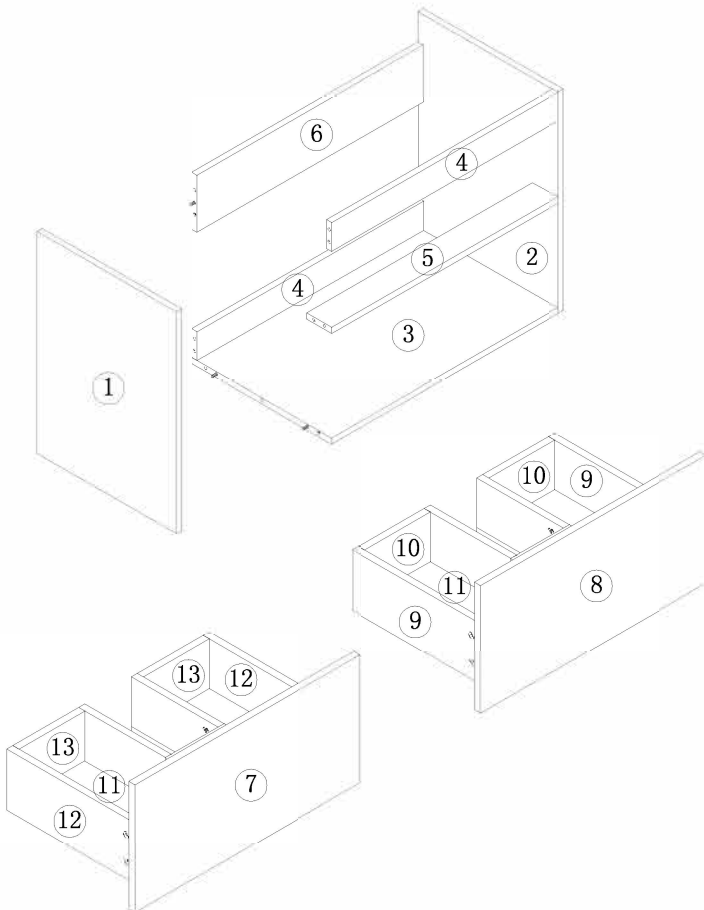
# DIMENSIONS



# PARTS LIST

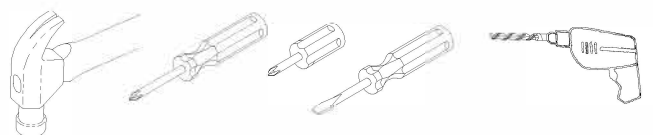
PARTS LIST			HARDWARE LIST		
NO	DESCRIPTION	QTY	NO	DESCRIPTION	QTY
①		1	A		42
②		1	B		42
③		1	C		42
④		2	D		22
⑤		1	E		4
⑥		1	F		60
⑦		1	G		4
⑧		1	H		2
⑨		2	I		2
⑩		2	J		2
⑪		2			
⑫		2			
⑬		2			
⑭					
⑮					
⑯					
⑰					

# ASSEMBLY DIAGRAM



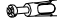
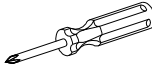
CAUTION: Please confirm the parts list before installation

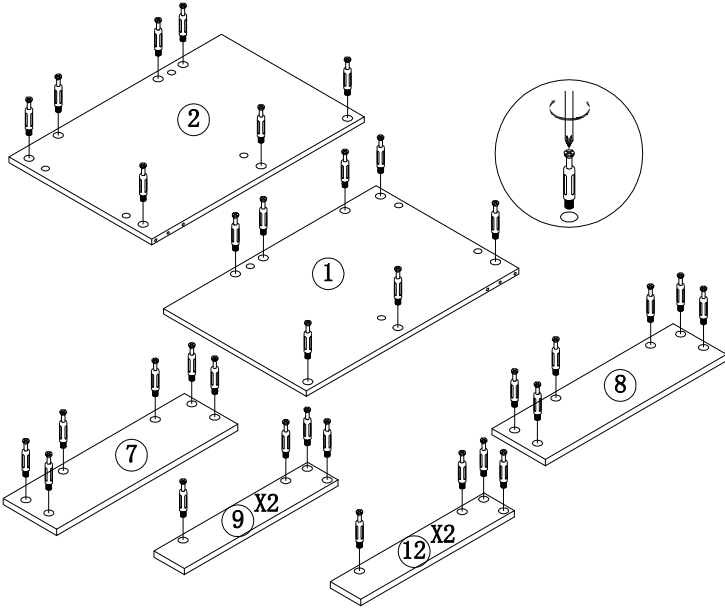
YOU MAY NEED (NOT SUPPLIED)





# INSTALLATIONS

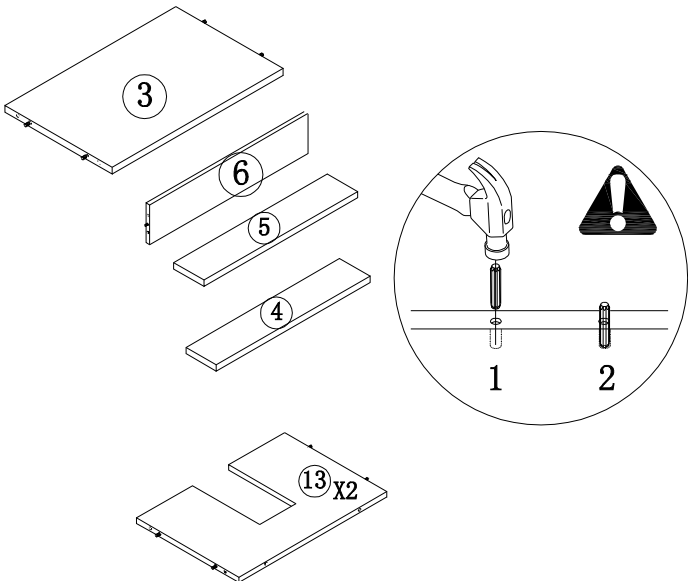
## STEP 1

HARDWARE LIST	
B  42PCS	





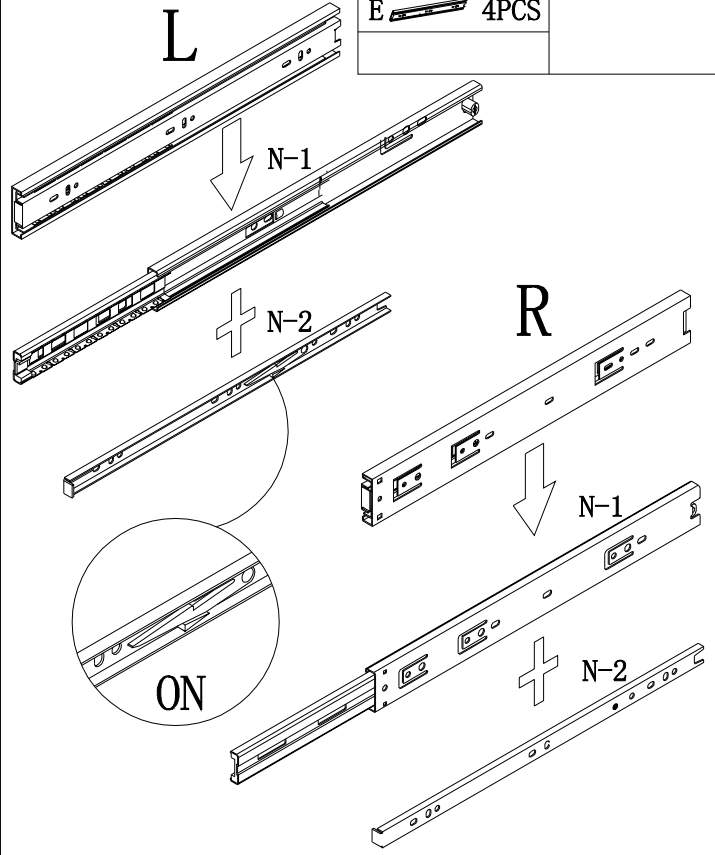
## STEP 2

HARDWARE LIST	
D  14PCS	





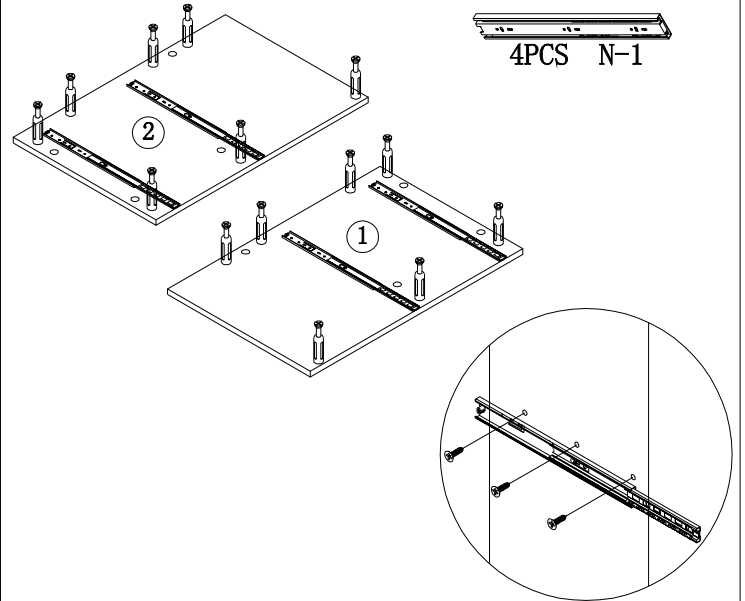
## STEP 3

HARDWARE LIST	
E  4PCS	



## STEP 4

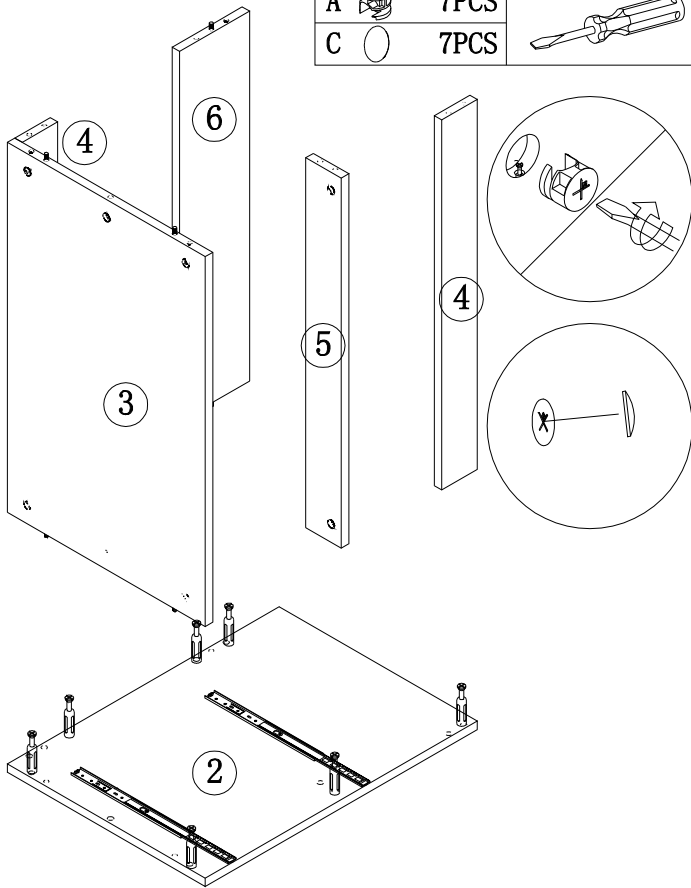
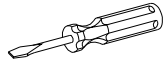
HARDWARE LIST	
F  12PCS	



### STEP 5



#### HARDWARE LIST

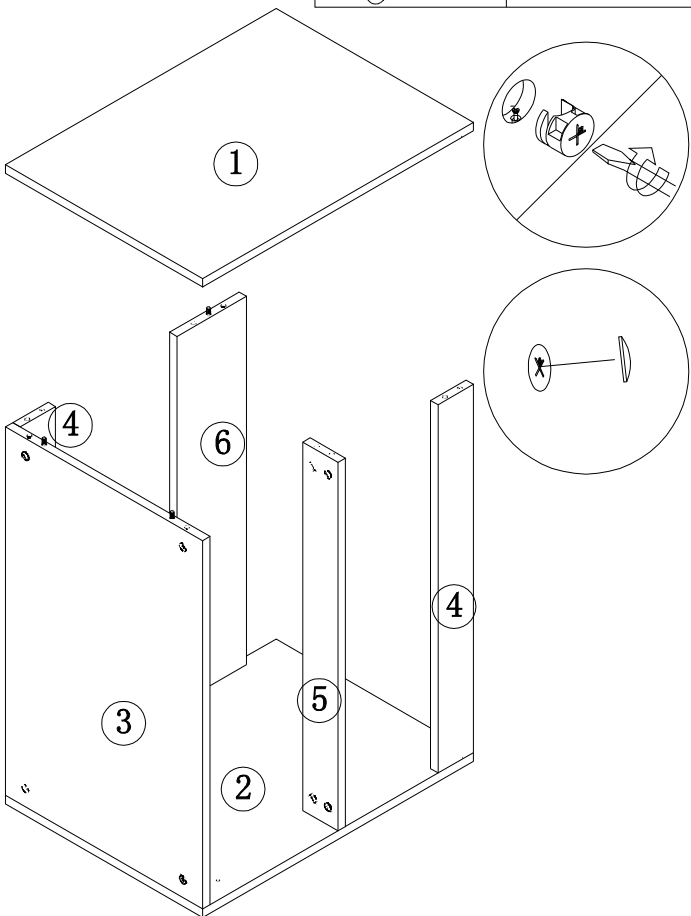
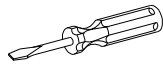
A		7PCS
C		7PCS



### STEP 6





#### HARDWARE LIST

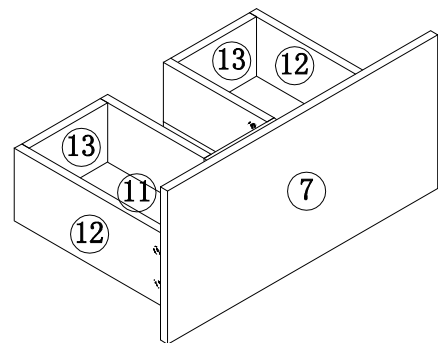
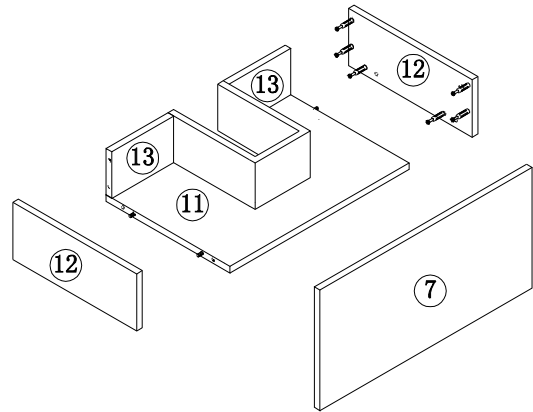
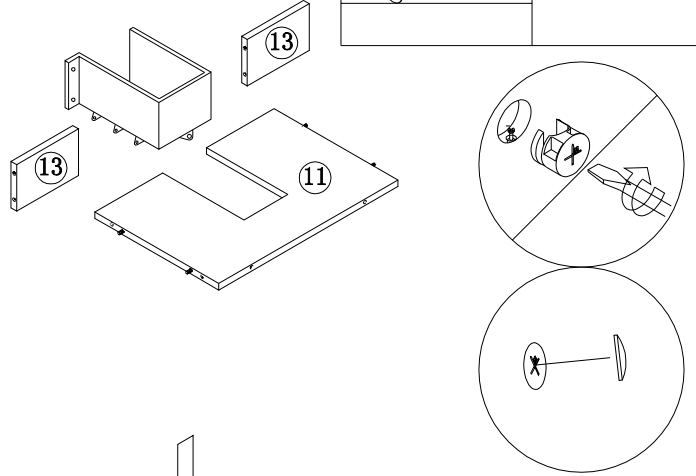
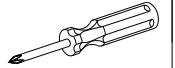
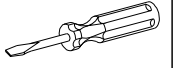
A		7PCS
C		7PCS



### STEP 7


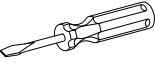
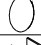

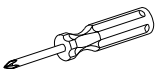

#### HARDWARE LIST

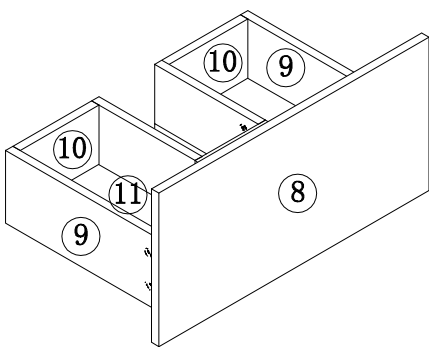
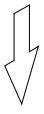
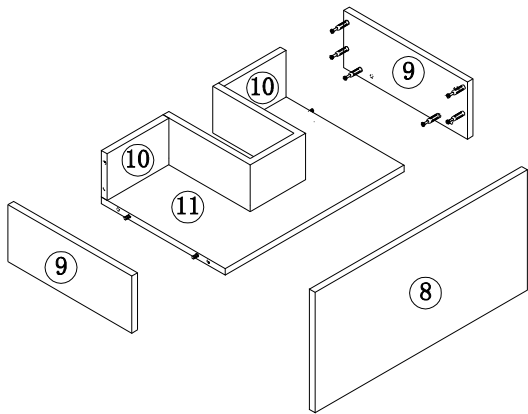
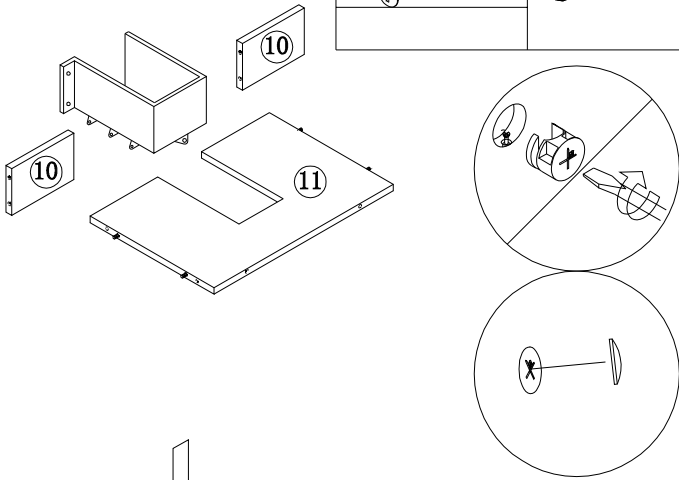
A		14PCS
C		14PCS
J		1PCS
F		10PCS



### STEP 8


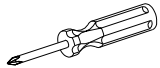


#### HARDWARE LIST

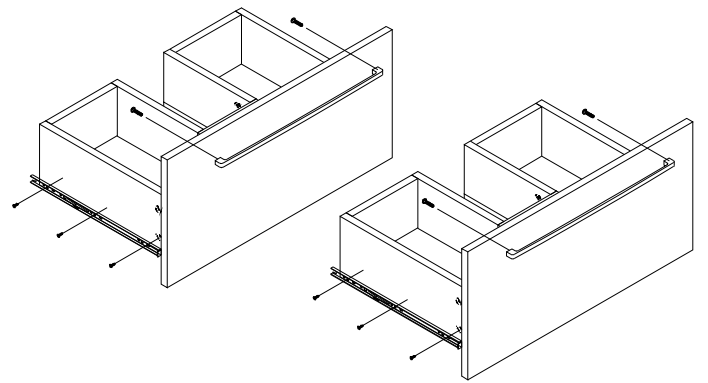
A		14PCS	
C		14PCS	
J		1PCS	
F		10PCS	



### STEP 9


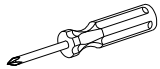

#### HARDWARE LIST

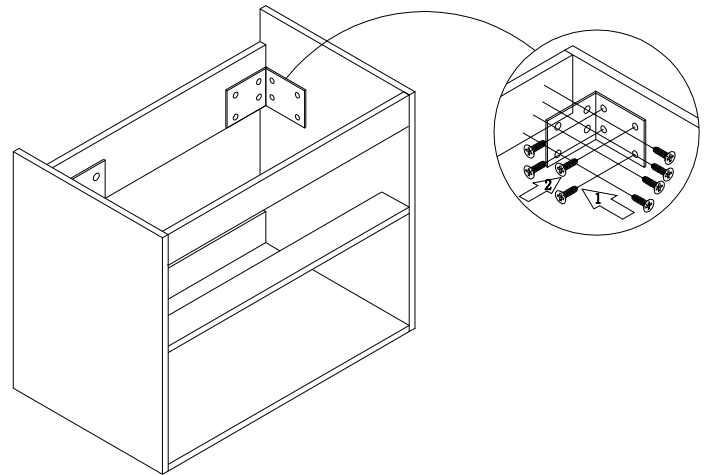
F		12PCS	
G		4PCS	
H		2PCS	



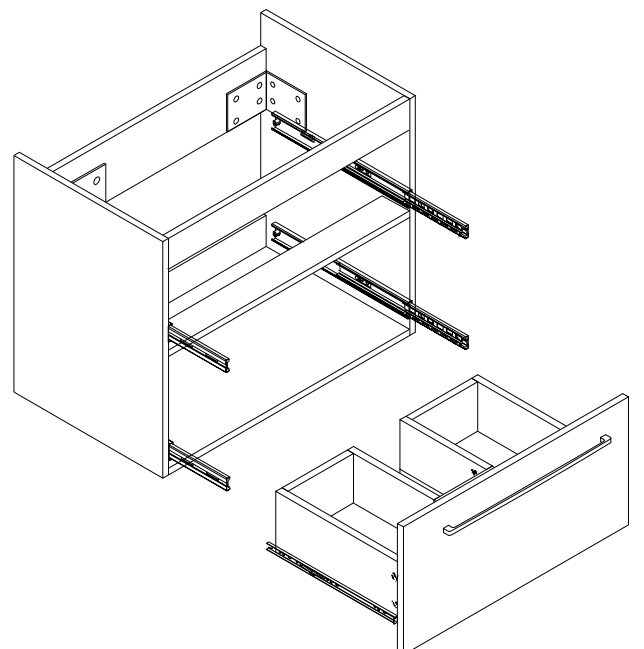
### STEP 10

#### HARDWARE LIST

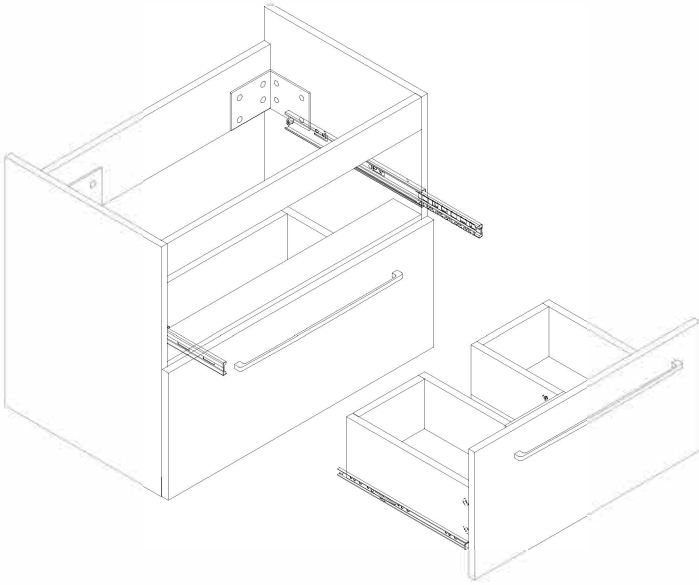
F		16PCS	
I		2PCS	



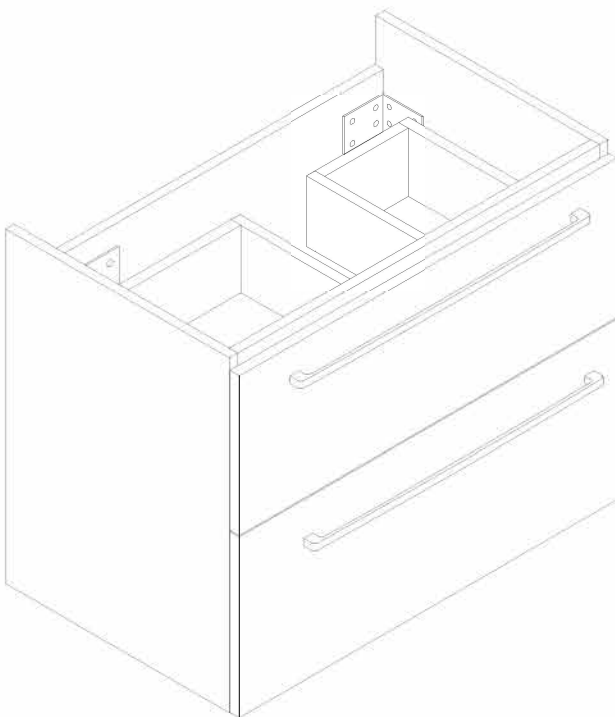
### STEP 11



STEP 12



STEP 13



**Choking hazard-Small Parts :** This unit contains small parts, not for children under 3 years.

**Tip-over hazard :** Secure finished unit to wall stud using L-Bracket and wall screw (#10\*1.5"W/out provided). If a wall stud is not neccessible ,Consult your local hardware store for appropriate mounting hardware . Failure to properly install will result in product collapse or tip-over. Serious injury can occur .