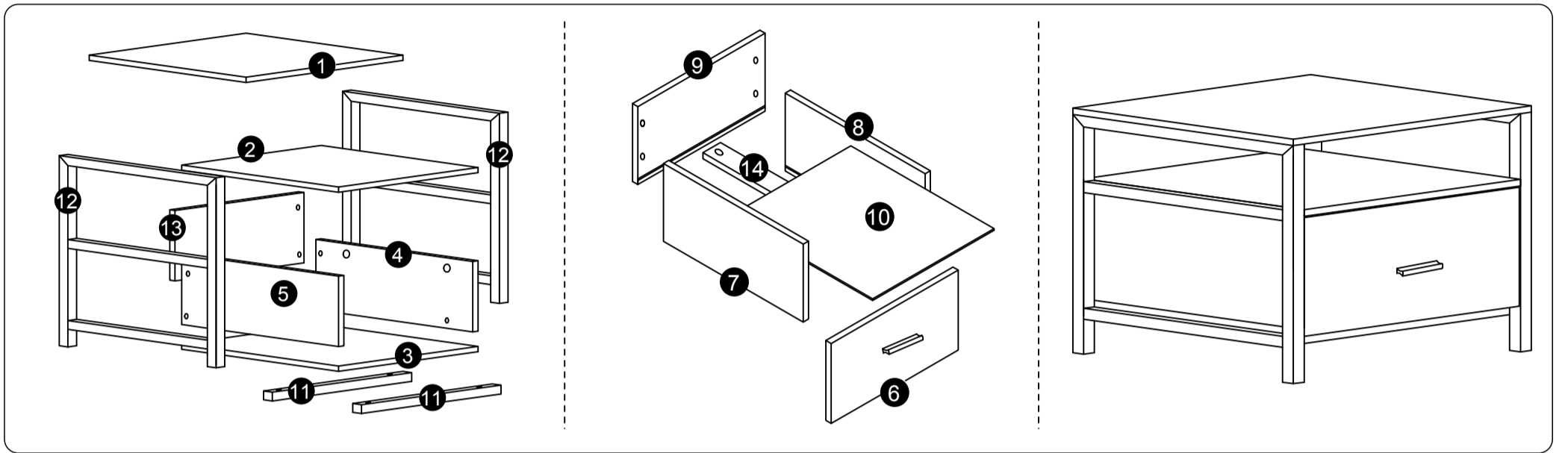


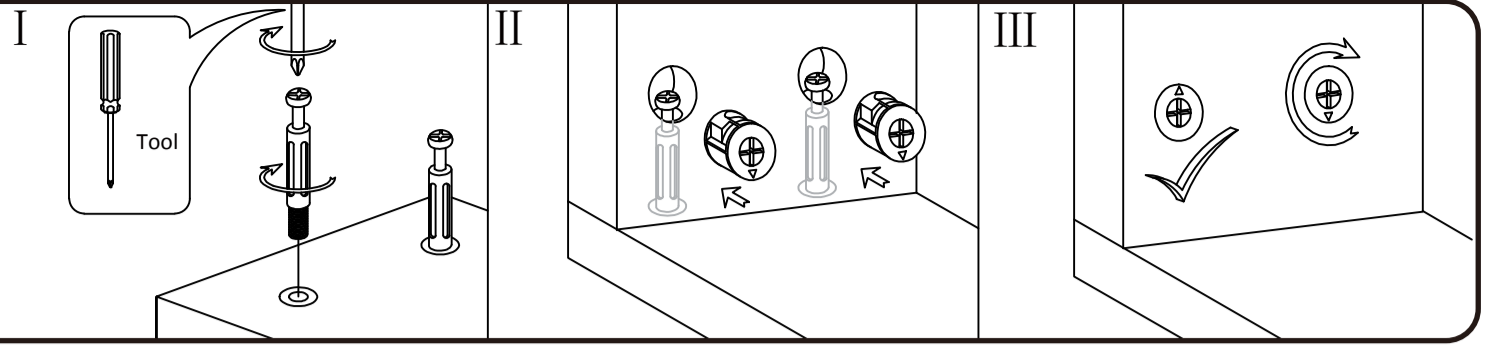
Instruction Manual



1		1	8		1
2		1	9		1
3		1	10		1
4		1	11		2
5		1	12		2
6		1	13		1
7		1	14		1

A			9
B		M5*50mm	9
D		M5*70mm	4
G		M6*35mm	8
H		M6*40mm	4
S		M4*18mm	2
Z			

"A" Hardware installation example



Step A: Drawer Assembly (1 2 3)

<p>1</p> <p>A 5PCS</p>	<p>2</p>	<p>3</p> <p>B M5*50mm 5PCS</p>	<p>4</p> <p>S M4*18mm 2PCS</p>
<p>5</p> <p>H M6*40mm 4PCS</p>	<p>6</p> <p>B M5*50mm 4PCS</p>	<p>7</p> <p>G M6*35mm 4PCS</p> <p>Note: The screw holes in part 5 should be downward.</p>	
<p>8</p> <p>D M5*70mm 4PCS</p>	<p>9</p> <p>A 4PCS</p>	<p>10</p> <p>A 4PCS</p>	
<p>11</p> <p>G M6*35mm 4PCS</p>	<p>12</p> <p>G M6*35mm 4PCS</p> <p>To prevent drawer slide off, the hinge should be opened as the picture shows.</p>	<p>13</p>	