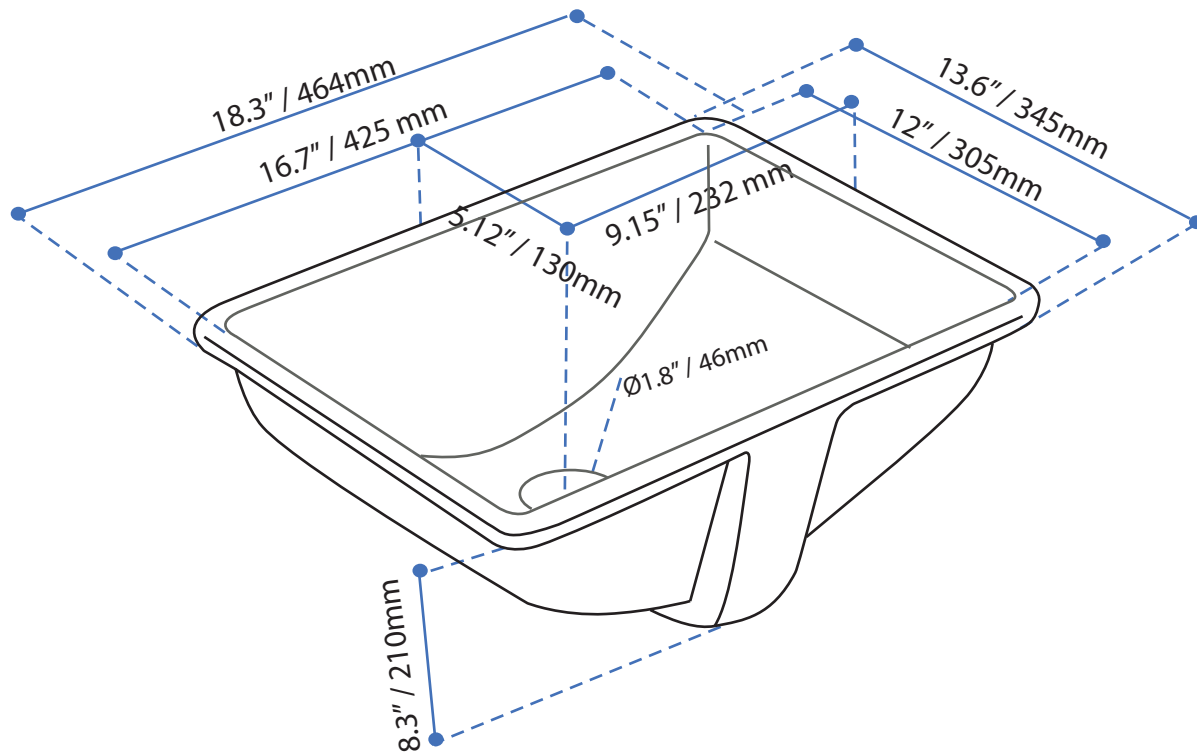


Affordable Luxury

Undercounter Basin



Toll Free: 1.877.398.TUBS(8827)
Web Site: www.valleyacrylic.com
Email: purchasing@valleyacrylic.com
Fax: 604.820.0124



ASME A112.19.2/CSA B45.1(2008)
All Measurements: ± 5 mm
(Diagram not to scale)