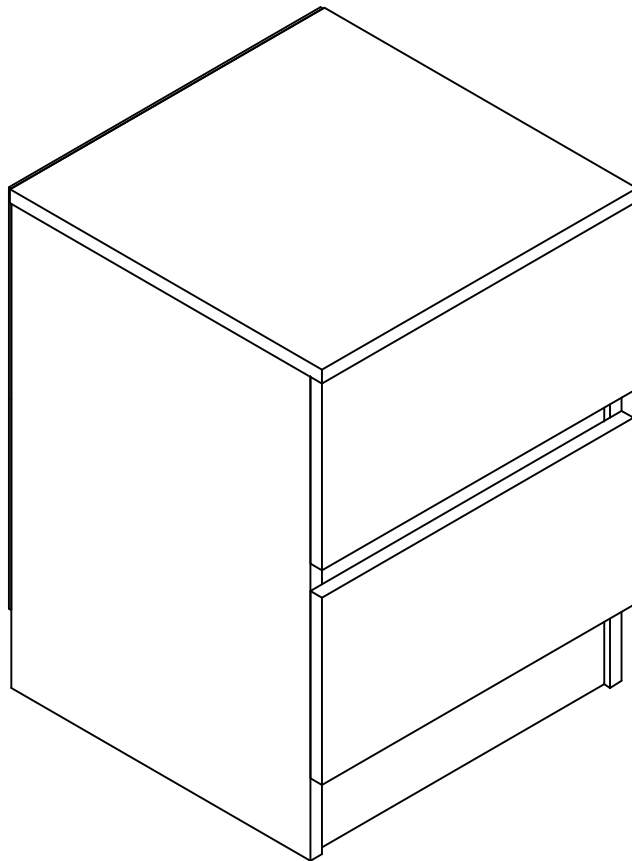


BEDROOM FURNITURE SET

2 DRAWER BEDSIDE

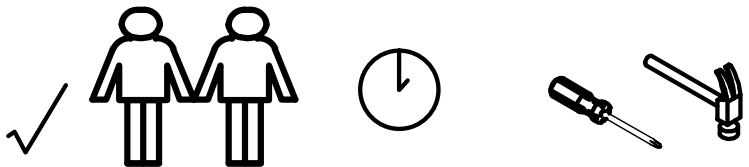
ASSEMBLY INSTRUCTION - Please Keep For Future Reference



Safety and Care Advice

IMPORTANT - Please Read This Instruction Carefully Before Assembly.

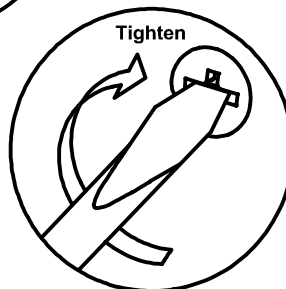
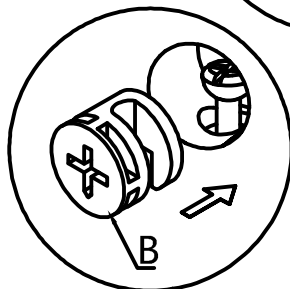
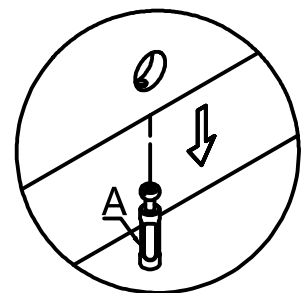
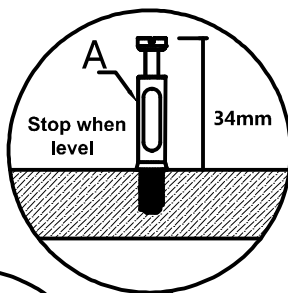
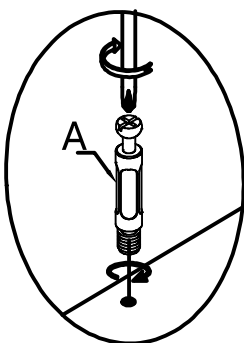
- Check you have all the components and tools listed on page 3.
- Do not stand or put weight on the product, this could cause damage.
- Do not use power drill/drivers for assembly, or the unit may be damaged.
- Remove all settings from the plastic bags and separate them into their groups.
- Assemble the item as close to it's intended position (in the same room) as possible.
- Assemble on a soft level surface to avoid damaging the unit.
- Dispose of all packaging carefully and responsibly.
- Keep children and animals away from the work area, small parts could choke if swallowed.
- Make sure you have enough space to layout the parts before assembly.
- Parts of the assembly will be easier with 2 people.



CARE and MAINTENANCE

- Only clean using a damp cloth and mild detergent, do not use bleach or abrasive cleaners.
- From time to time check that there are no loose screws on this unit.
- This product should not be discarded with household waste. Take to your local authority waste disposal center.

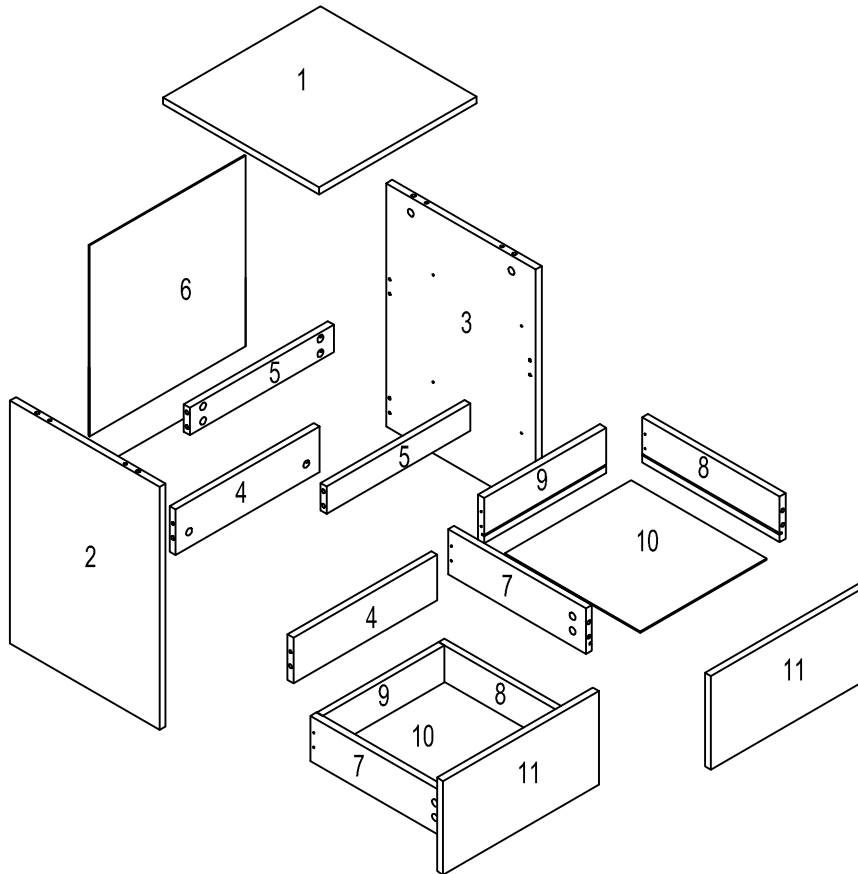
General Hints & Tips


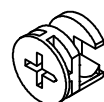
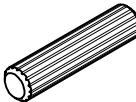

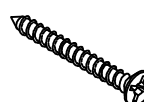





Components and Tools

IMPORTANT - Please Check If You Have All The Components and Tools.

Note: The quantities below are the correct amount to complete the assembly. In some cases more pieces may be supplied than are required.

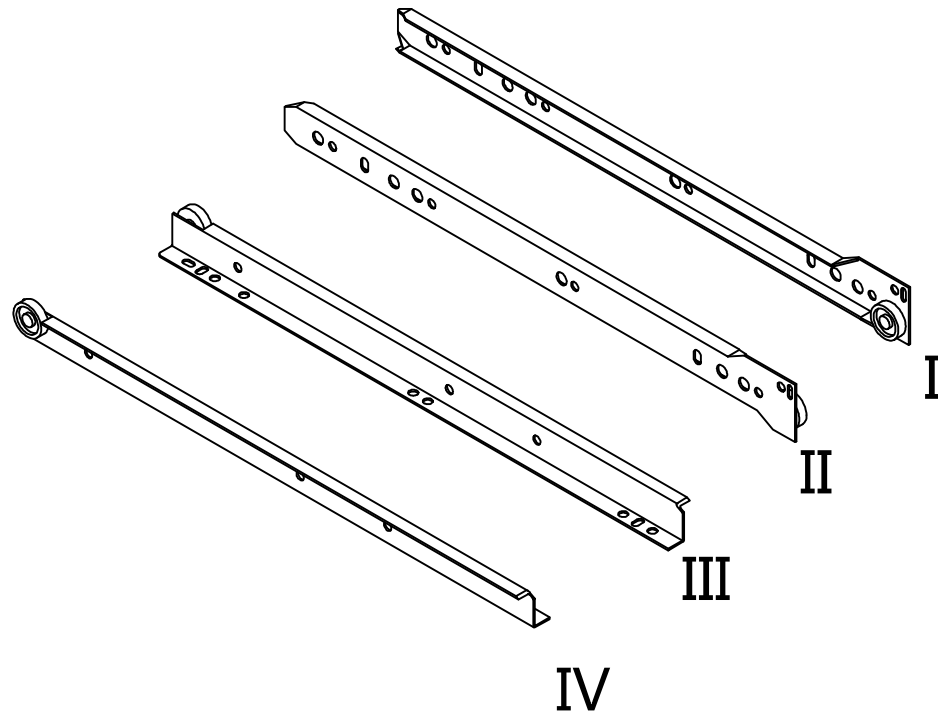


<p>A=24</p>  <p>Peg M6*34mm</p>	<p>B=24</p>  <p>Lock M15*12mm</p>	<p>C=8</p>  <p>Dowel M6*30mm</p>	<p>D=16</p>  <p>Screw M3.5*14mm</p>	<p>E=8</p>  <p>Screw M4*38</p>	<p>F=4</p>  <p>Plastic Feet</p>
<p>G=16</p>  <p>Pin</p>	<p>H=2</p>  <p>Drawer Runner</p>				

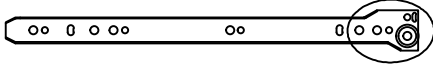
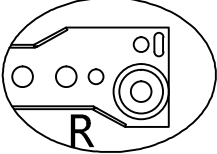
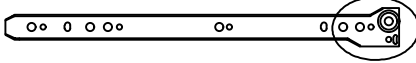
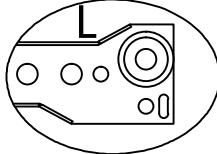
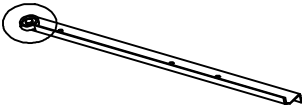
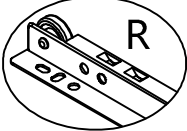
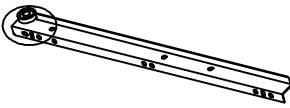
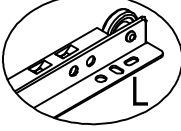
Drawer Runner Instruction

IMPORTANT - Please Read It Carefully.

NOTE:1 PAIR DRAWER RUNNER INCLUDES 4 PIECES.



Fittings (not to scale)

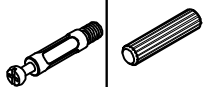
NO.	DESCRIPTION	QTY		
I	Outer Drawer Runner - Right	2PCS		
II	Outer Drawer Runner - Left	2PCS		
III	Inner Drawer Runner - Right	2PCS		
IV	Inner Drawer Runner - Left	2PCS		

Assembly Instruction

Step 1

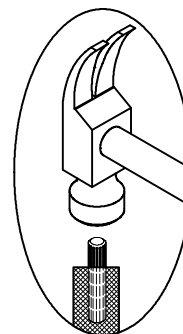
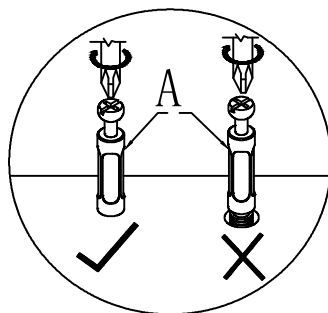
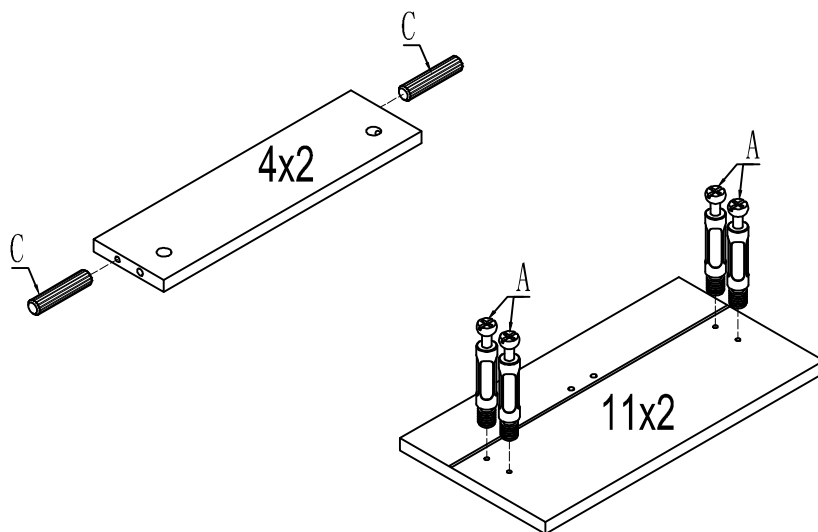
A=8

C=4



Peg

Dowel

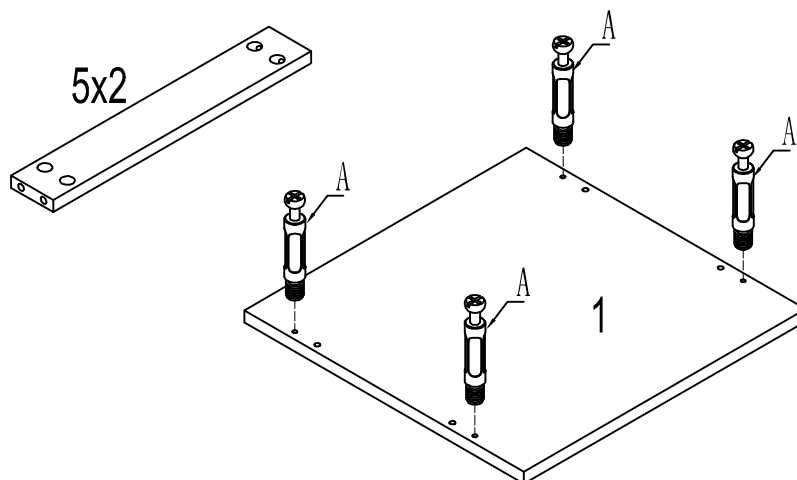


Step 2

A=4



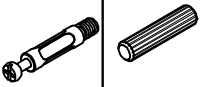
Peg



Assembly Instruction

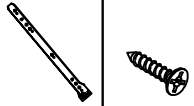
Step 3

A=6 C=2

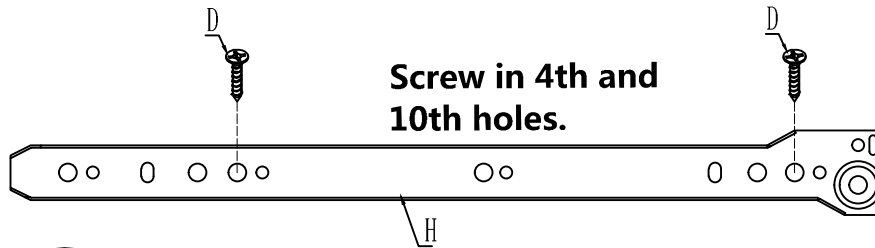
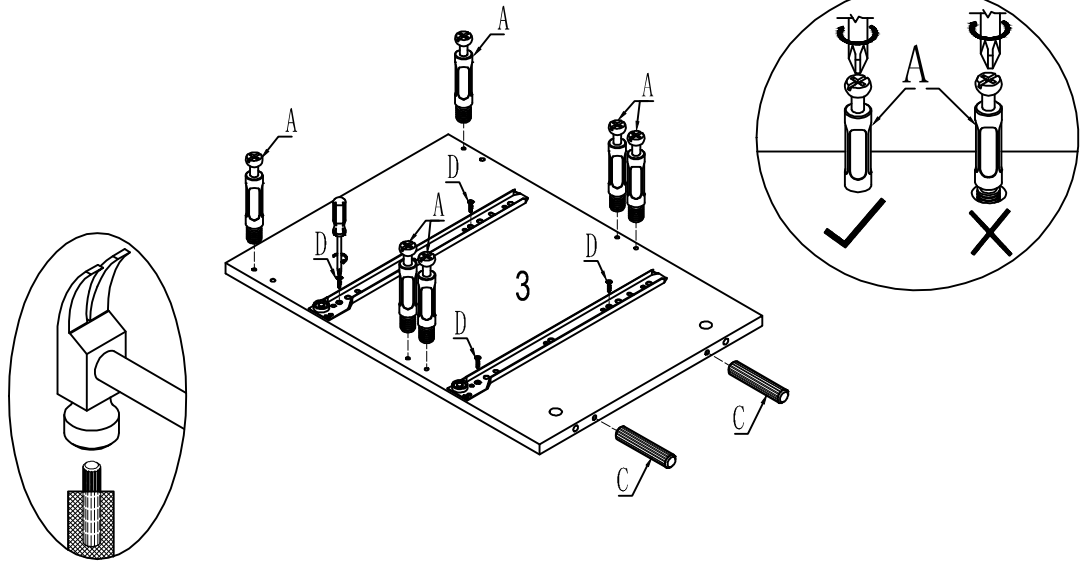


Peg Dowel

H=2 D=4

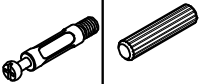


I- Right
Screw
M3.5*14mm



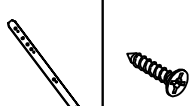
Step 4

A=6 C=2

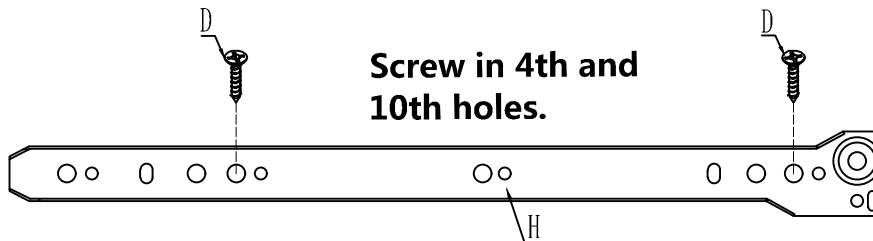
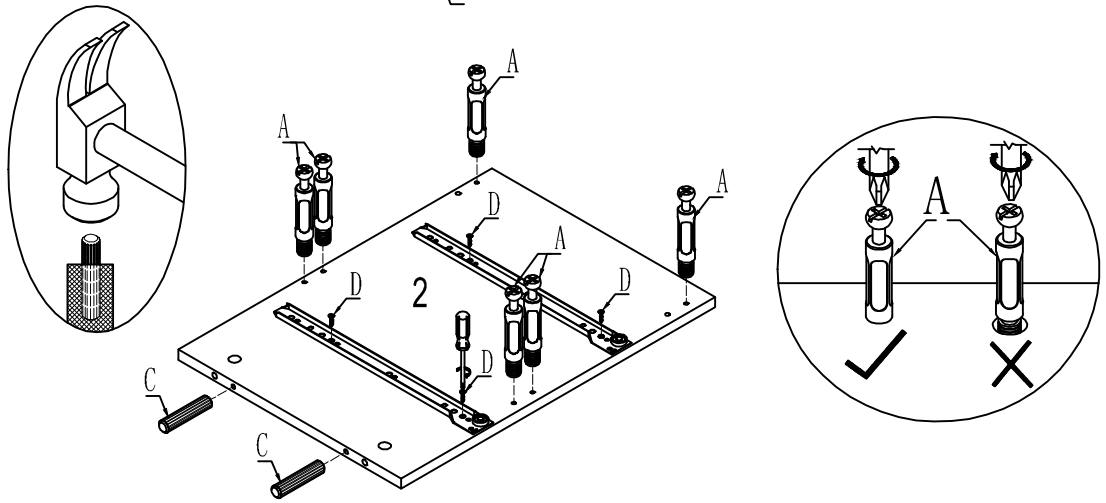


Peg Dowel

H=2 D=4



II - Left
Screw
M3.5*14mm



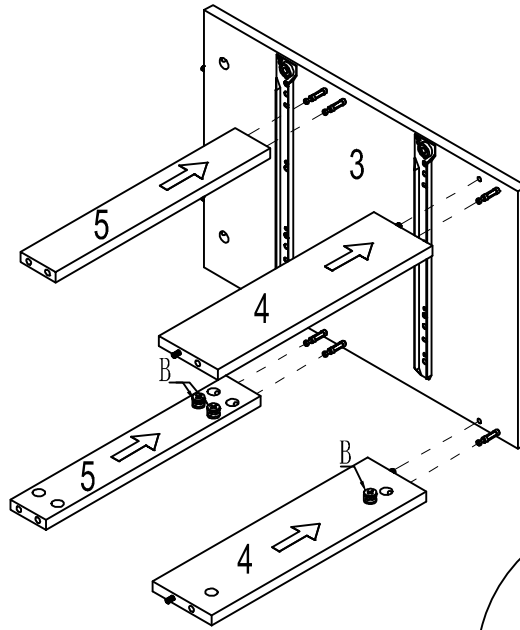
Assembly Instruction

Step 5

B=6



Lock



Step 6

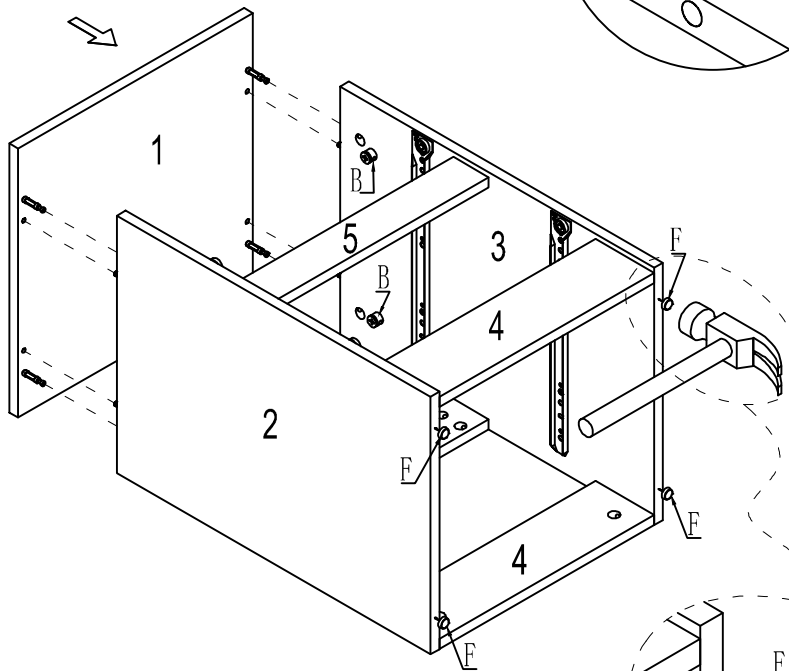
B=4

F=4



Lock

Plastic
Feet



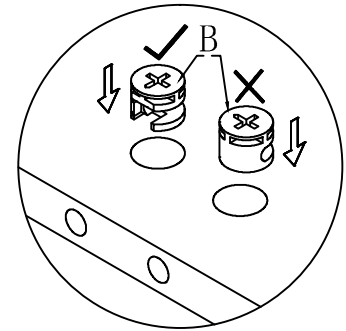
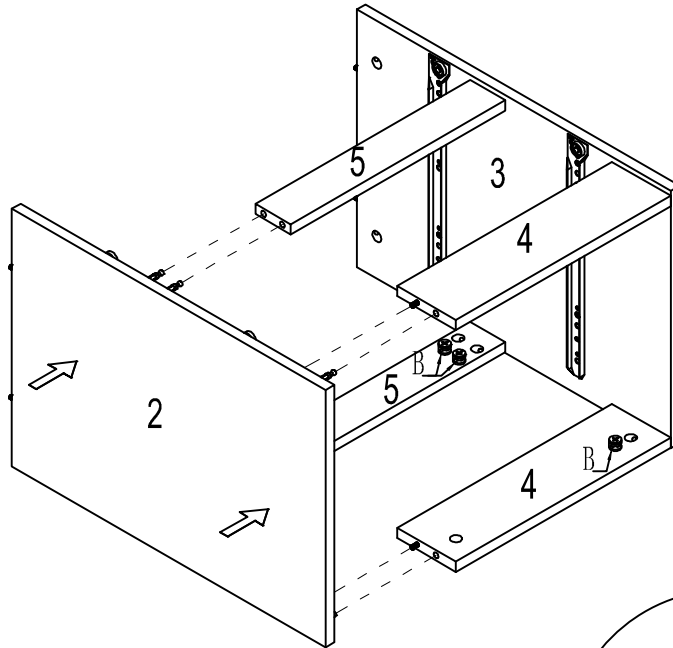
Assembly Instruction

Step 7

B=6



Lock

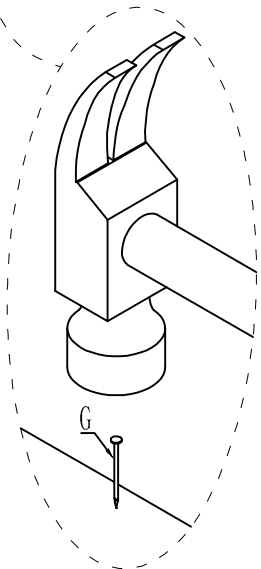
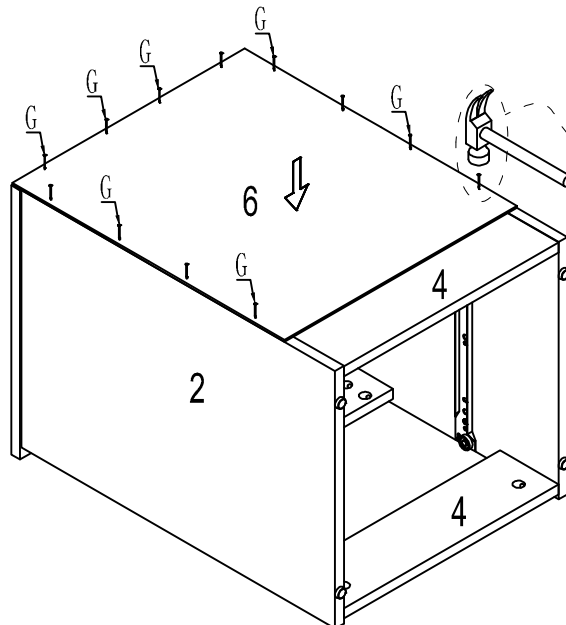


Step 8

G=12



Pin



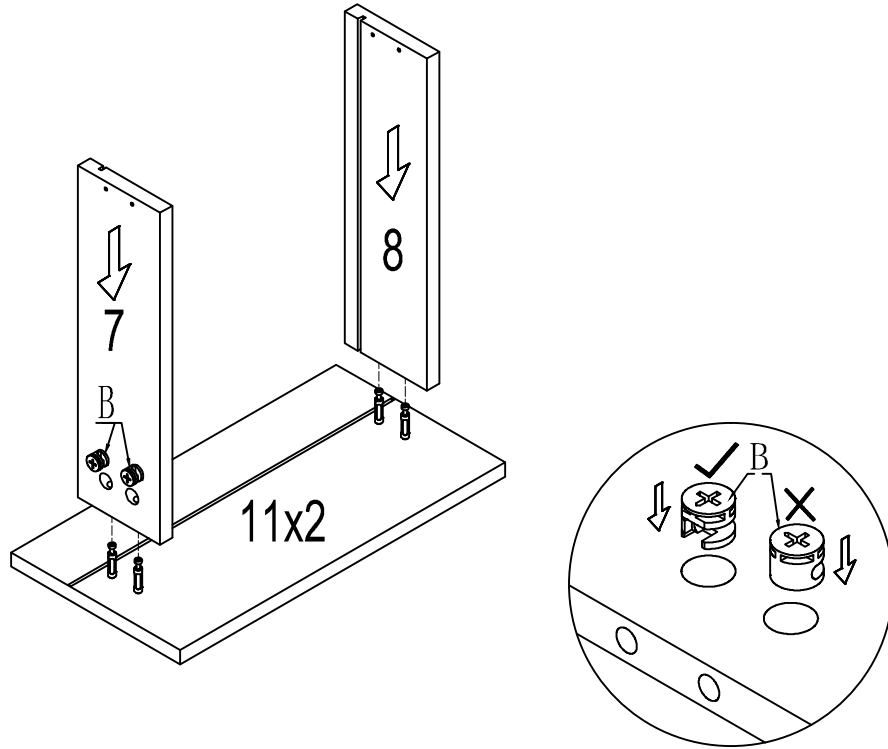
Assembly Instruction

Step 9

B=8



Lock

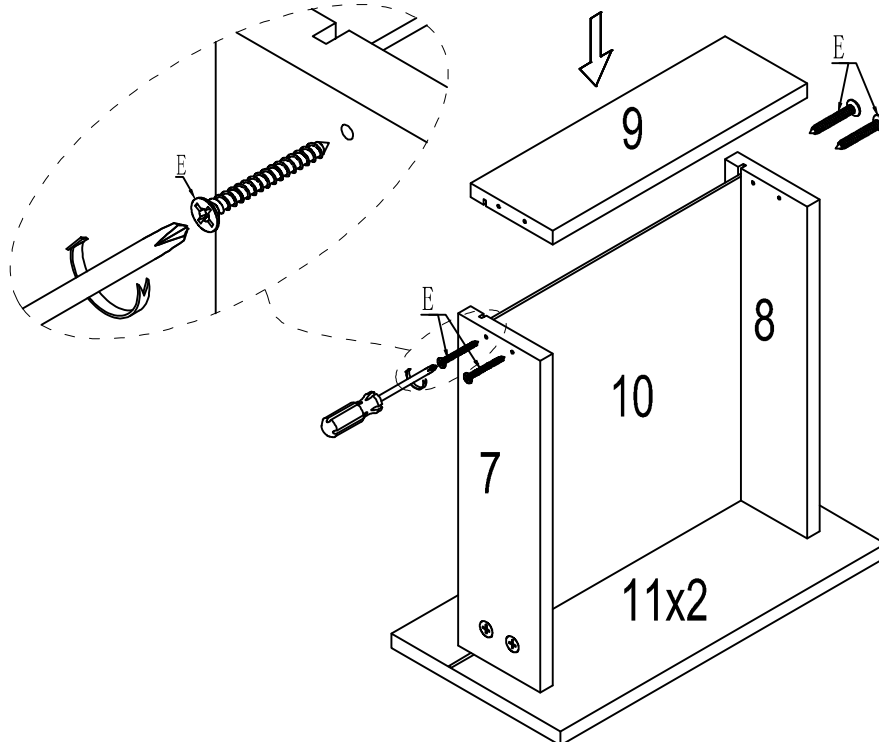


Step 10

E=8

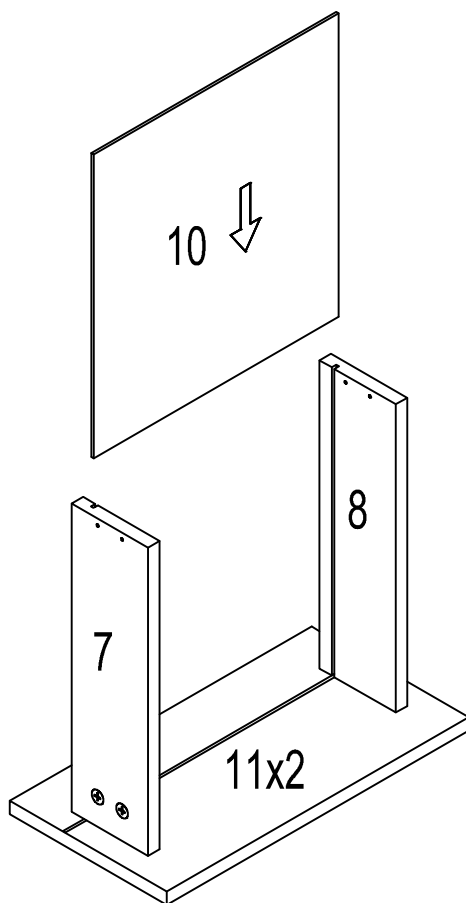


Screw
M4*38

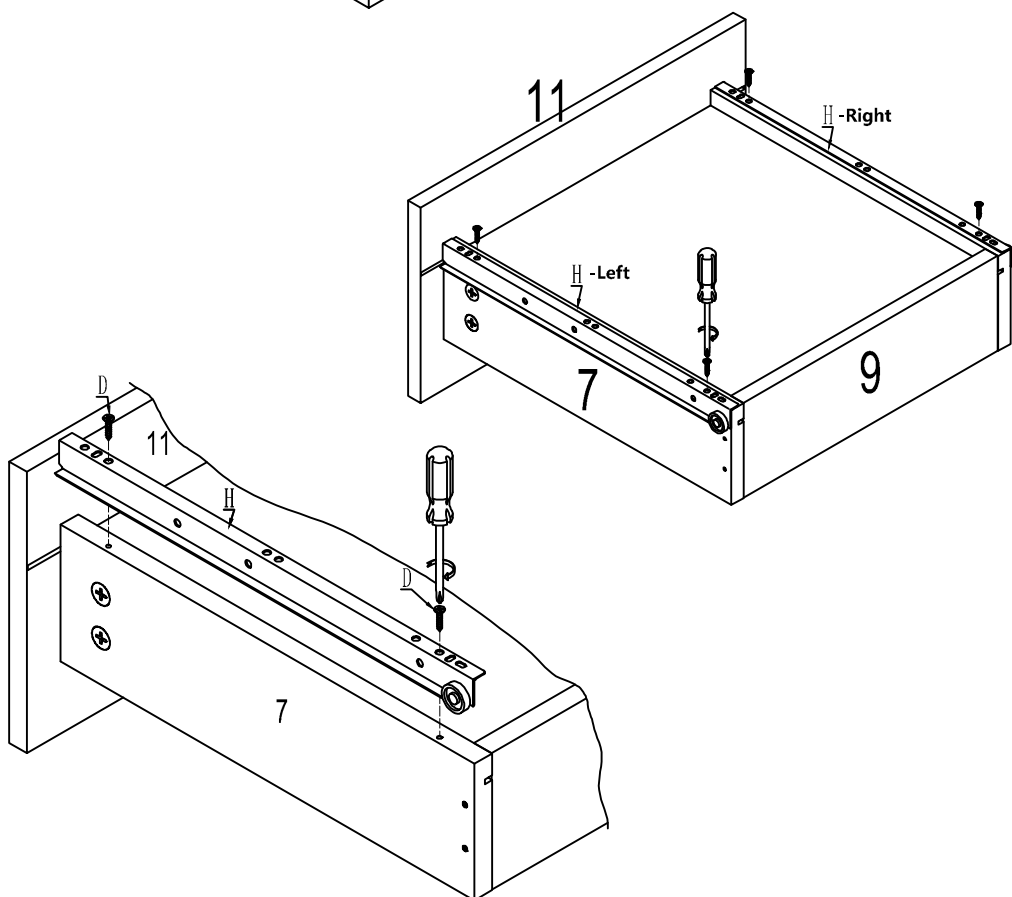
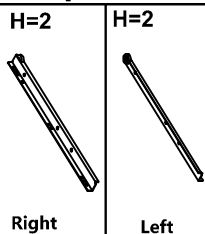


Assembly Instruction

Step 11

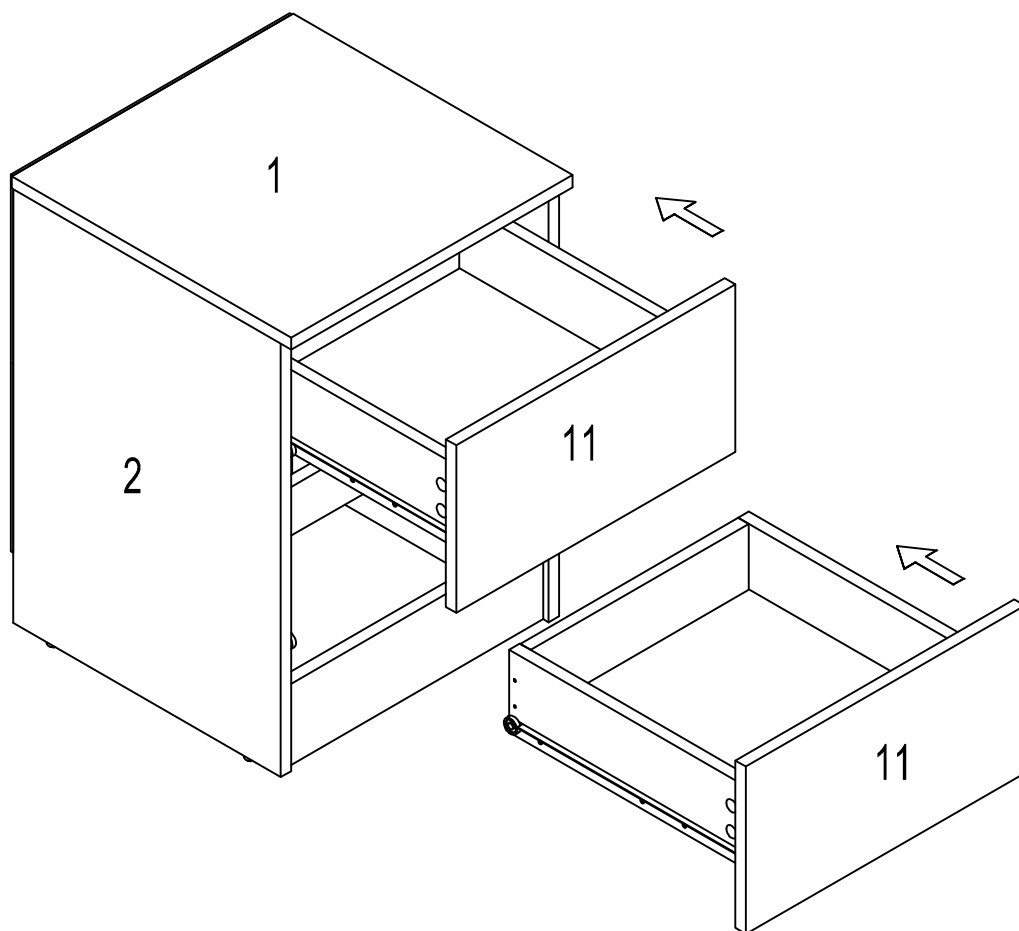


Step 12



Assembly Instruction

Step 13



Step 14

