

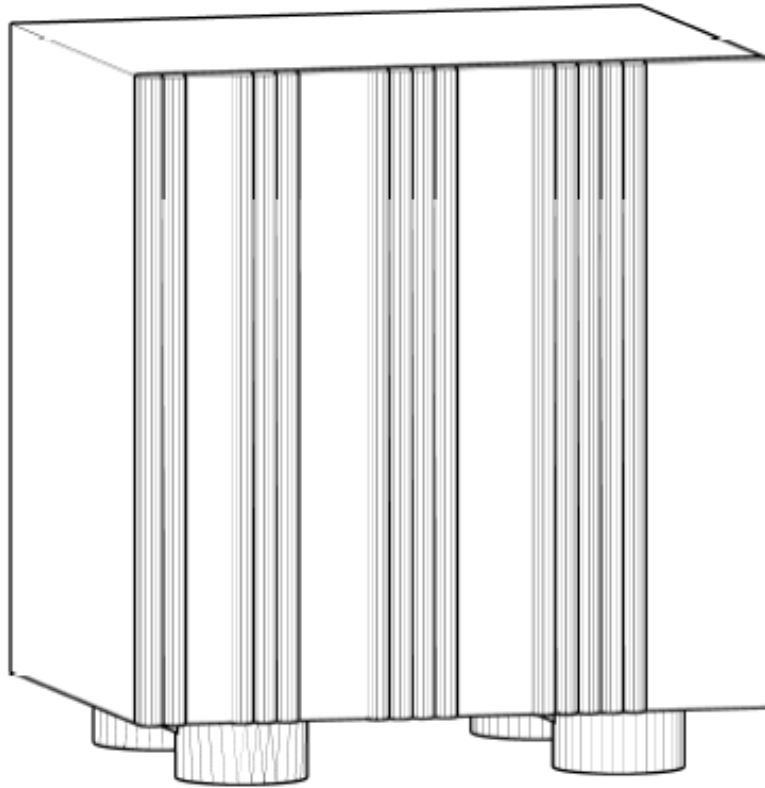
# ASSEMBLY INSTRUCTIONS



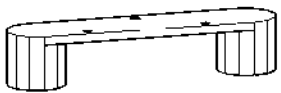
5 min



2 pers



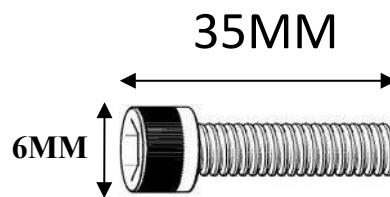
**A**



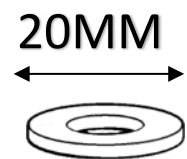
**Bx2**



**Cx1**



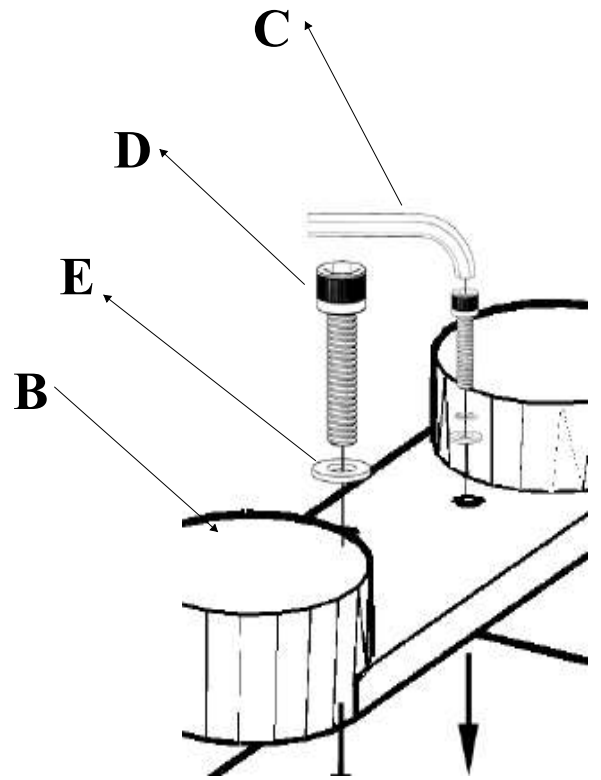
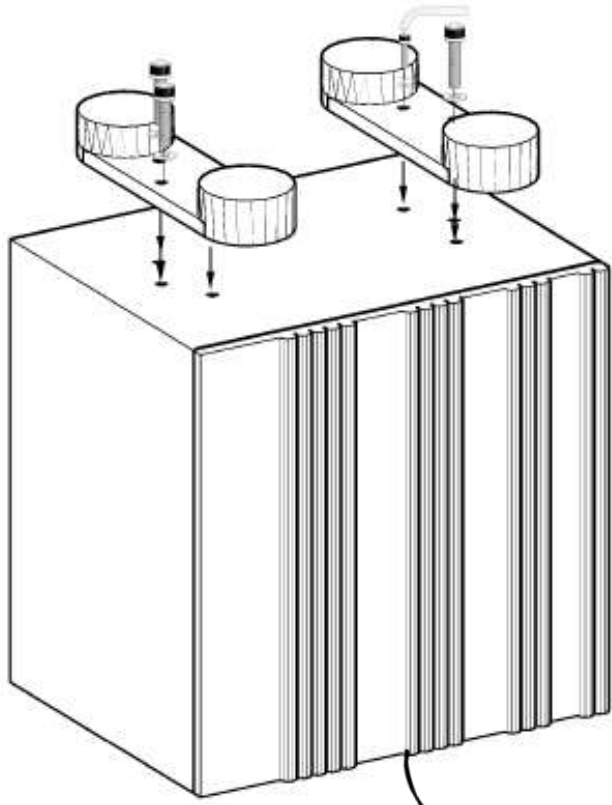
**Dx6**



**Ex6**

1

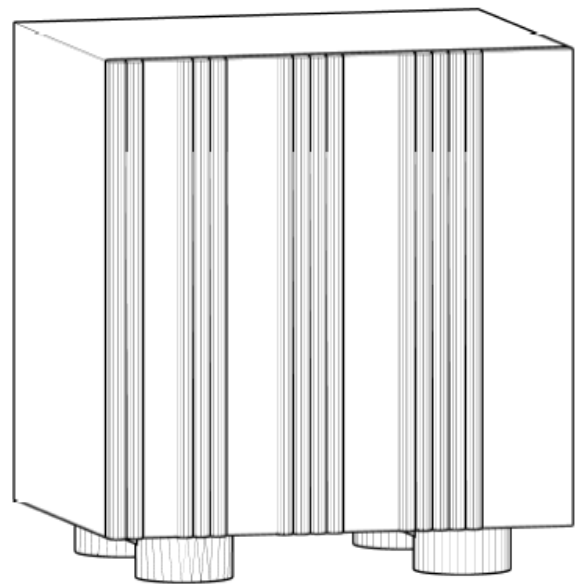
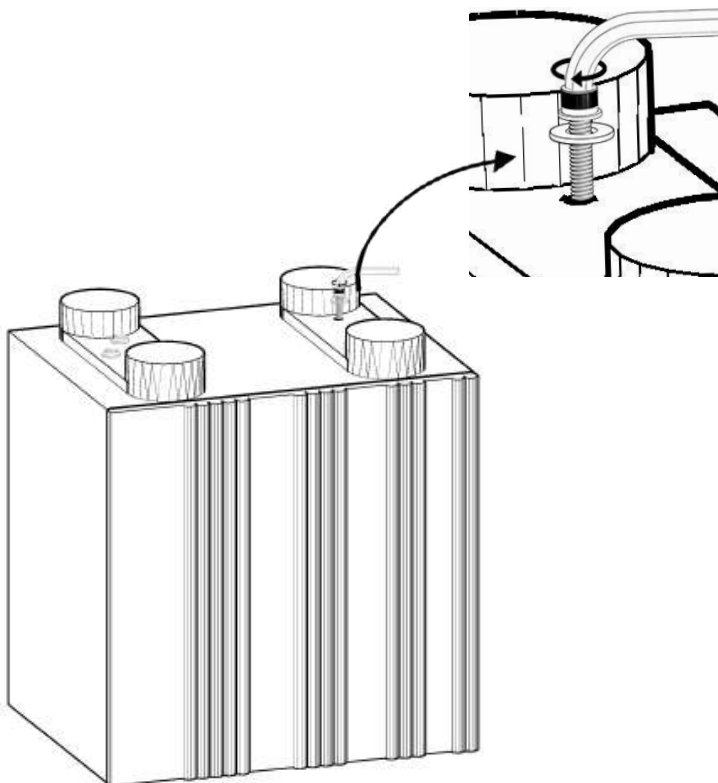
2



3

A

4



Now product is ready for use