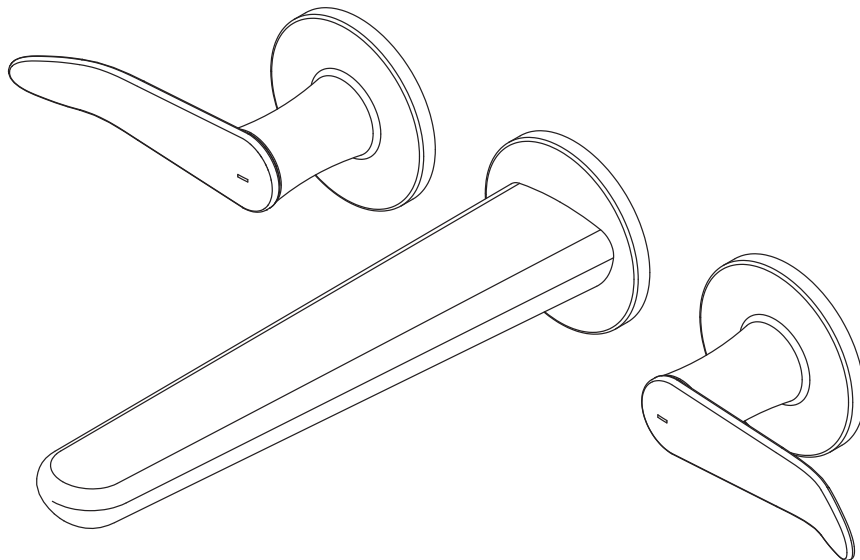


C O O P E R



G R A H A M

INSTALLATION INSTRUCTIONS

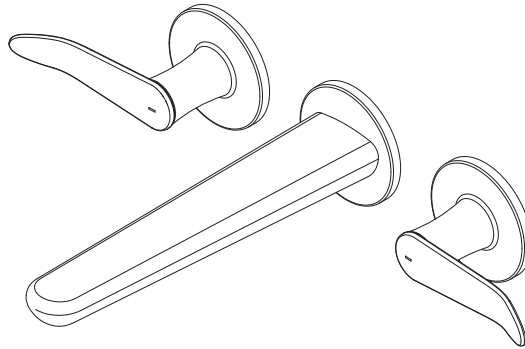


EMILE 3-HOLE WALL MOUNT TUB FILLER TRIM

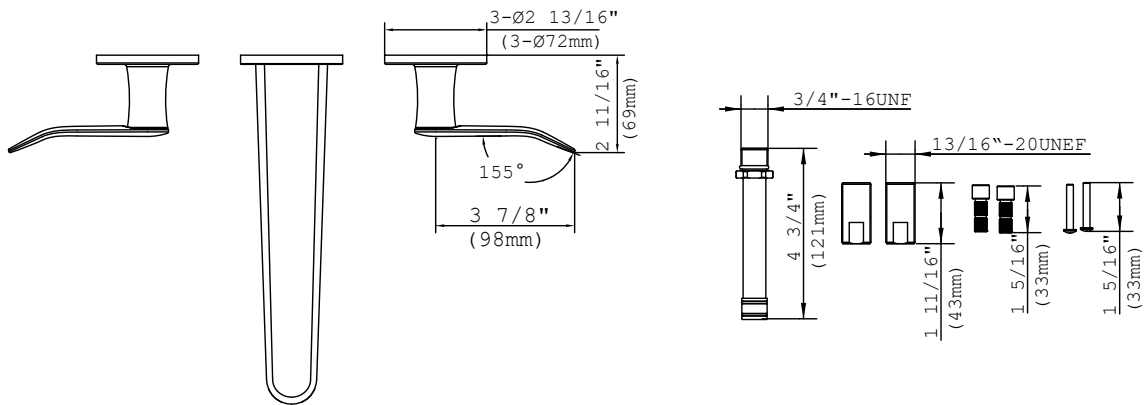
EMI-11200

DIMENSIONS In Inches & Millimetres

EMILE 3-HOLE WALL MOUNT TUB FILLER TRIM

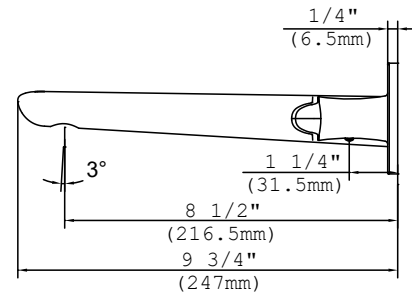
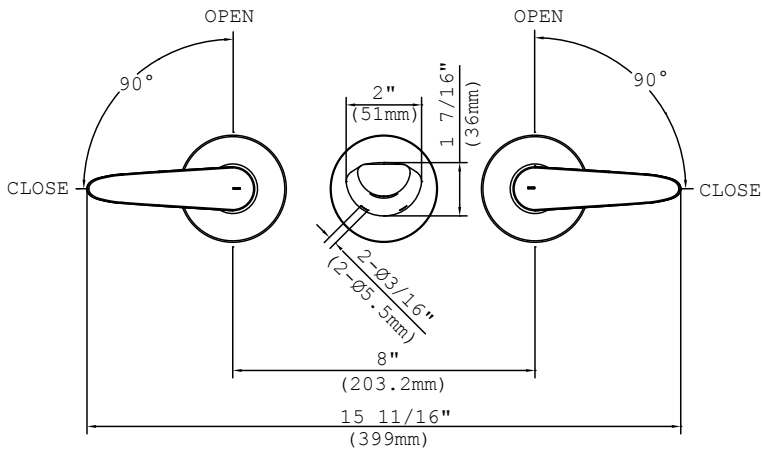


TOP VIEW



FRONT VIEW

SIDE VIEW



PRODUCT INFORMATION

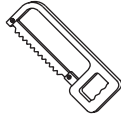
TOOLS



Groove Joint Pliers



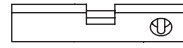
Adjustable Wrench



Hacksaw



Phillips Screwdriver



Level



Pipe Tape



Spatula

MAINTENANCE

- Your new Cooper and Graham product is designed for years of trouble-free performance.
- Keep it looking new by cleaning it periodically with a soft cloth. Avoid abrasive cleaners, wire wool and harsh chemicals as these will dull the finish and void your warranty.

IMPORTANT POINTS

- Prior to beginning installation, turn off the cold and hot water lines. If applicable, open the existing valve to release built-up pressure.
- Overtightening nuts may cause damage.
- Wrap all threaded connections with pipe tape available at your local plumbing supply store. Always wrap in clockwise direction. The fittings should be installed by a state licensed plumber.
- Note: When there is a difference in water pressure between hot and cold supplies to the mixing valve, the pressures should be equalized by a plumber in accordance with best practice and legislation.
- Note: This product is designed to function as part of the water system at a supply pressure between 140 and 860 kPa (20 and 125 psi). The leakage test to the water system should be carried out using water as this product contains the components are specifically designed for water, for which the viscosity and surface tension are much greater comparing to air or gas, both of these are unique forces that resist the tendency of water to flow, particularly through a small opening, however at the same condition the air or gas might be able to escape through. In the exceptional circumstances should pneumatic pressure testing using compressed inert gas or air be used, the pressure should be equal or less than 3bar. Conducting the pneumatic pressure test at a higher pressure can be very hazardous not only to the person who does the test, but also to the product itself or the users. Due to the air or gas is very compressible, the same pressure of compressed air or gas contains much more energy than the liquid therefore should a joint, pipe, or any other component fail under test pressure when using compressed air or gas, the energy can be released with dangerous force to human or damaging the system.

SAFETY TIPS

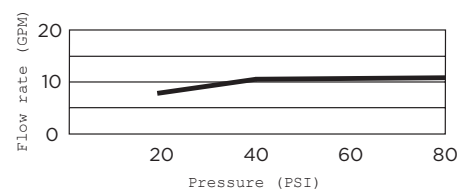
- If you are soldering during faucet installation, remove cartridges, seats, gaskets and washers prior to applying flame, otherwise you will void the warranty.
- When cutting or soldering pipe, use safety glasses to protect your eyes.
- Cover drain openings to avoid losing small parts.

CODES/STANDARDS

- Certifications: IAPMO(cUPC)
- ADA Compliant



FLOW RATE

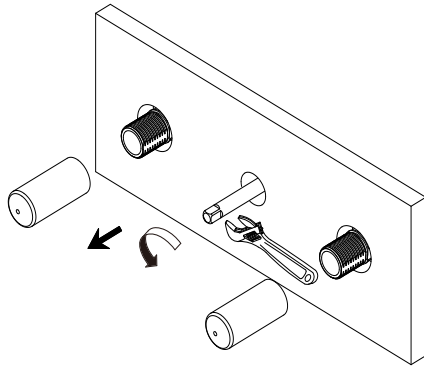


INSTALLATION METHOD

STEPS 1-3

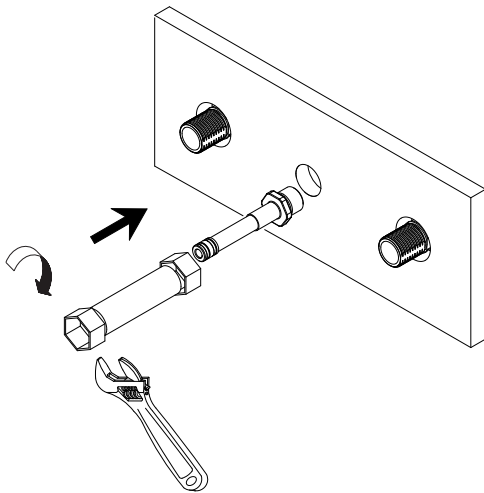
Cooper and Graham always recommends that plumbing products be installed by a licensed professional.

1.



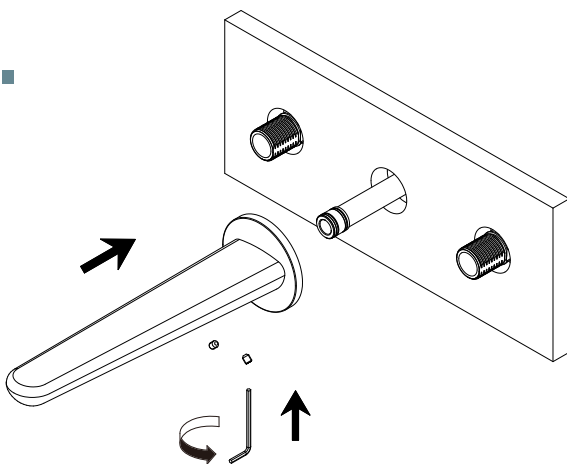
Once the front wall is finished, remove the protective caps for installing the trim.

2.



Ensure that o-rings (004010N and 048096N) are attached onto the spout adaptor to promise water sealing. Install the spout adaptor assembly to the rough-in valve securely.

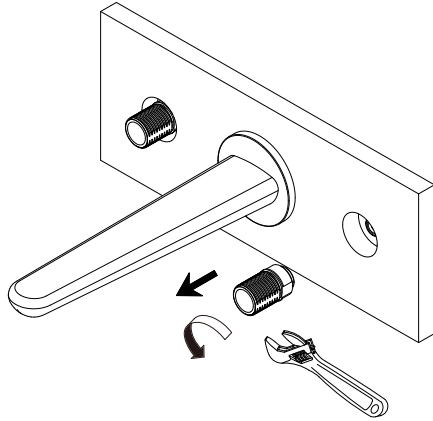
3.



Install the spout and fix it tightly with set screw.

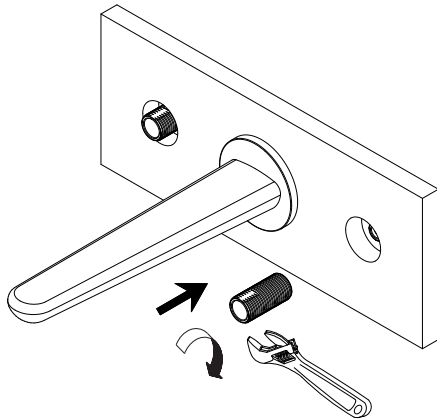
Cooper and Graham always recommends that plumbing products be installed by a licensed professional.

4.



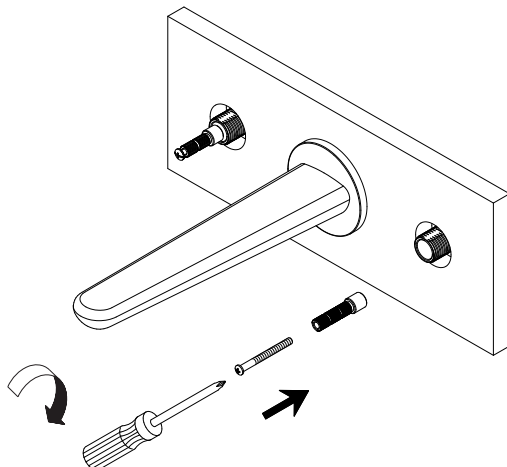
Remove the handle adaptor from the rough-in valve.

5.



Install the handle adaptor (077653) specifically for this trim to the rough-in valve securely.

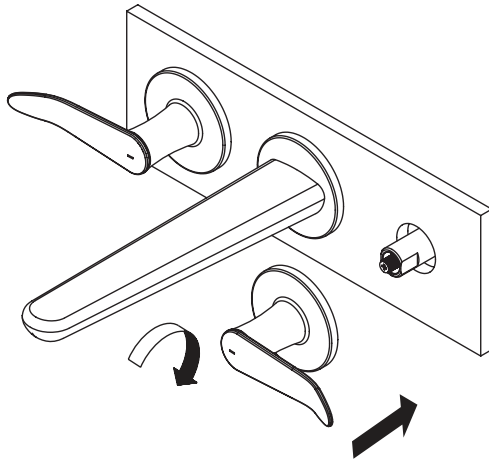
6.



Install the handle stem extension with screw fixing.

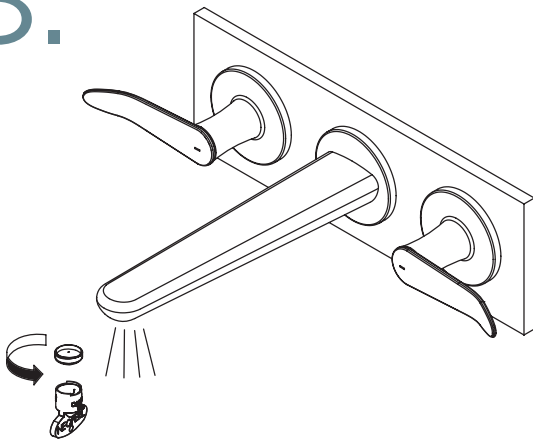
Cooper and Graham always recommends that plumbing products be installed by a licensed professional.

7.

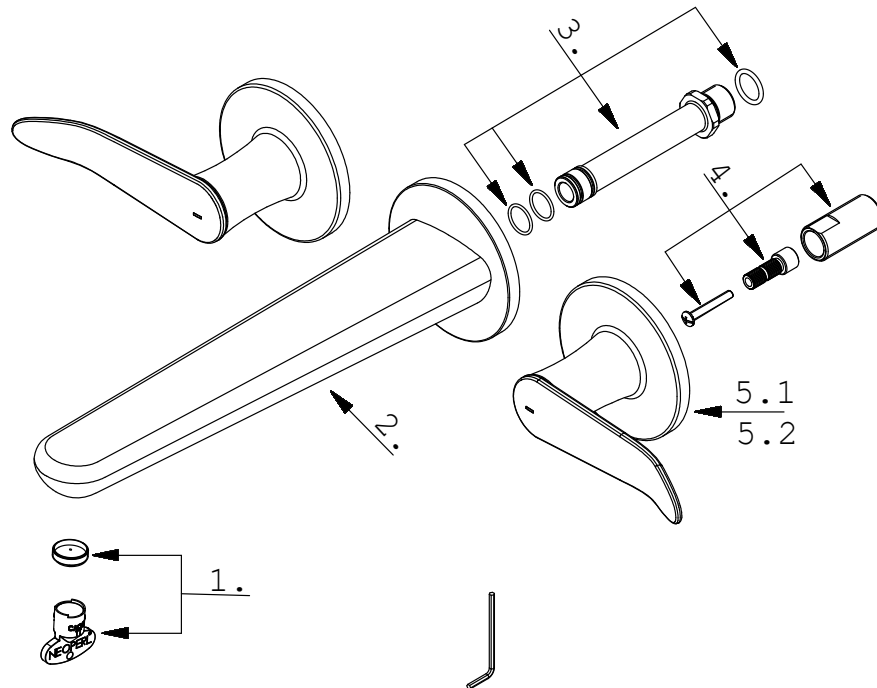


Install the handle assemblies.

8.



After installing faucet, remove the aerator and open the hot and cold supplies. Check for leaks. Turn on the faucet handle for one minute to flush debris from the faucet. Turn off the handle and re-assemble the aerator.



- | | | | |
|----------|----------------------------------|------------|-----------------------------------|
| 1 | Aerator Assembly (A663B55) | 4 | Handle Adaptor Assembly (A663B57) |
| 2 | Spout Assembly (A666A01) | 5.1 | Handle Assembly - Cold (A662A29C) |
| 3 | Spout Adaptor Assembly (A663B56) | 5.2 | Handle Assembly - Hot (A662A29H) |

C O O P E R



G R A H A M

FOR ADDITIONAL ASSISTANCE OR SERVICE CALL

T: 929.432.1699 F: 929.432.1833

CUSTOMERSERVICE@COOPERANDGRAHAM.COM

9AM-5PM EST, MONDAY - FRIDAY

COOPER AND GRAHAM

1828 TROUTMAN STREET, RIDGEWOOD, NY, 11385

WWW.COOPERANDGRAHAM.COM