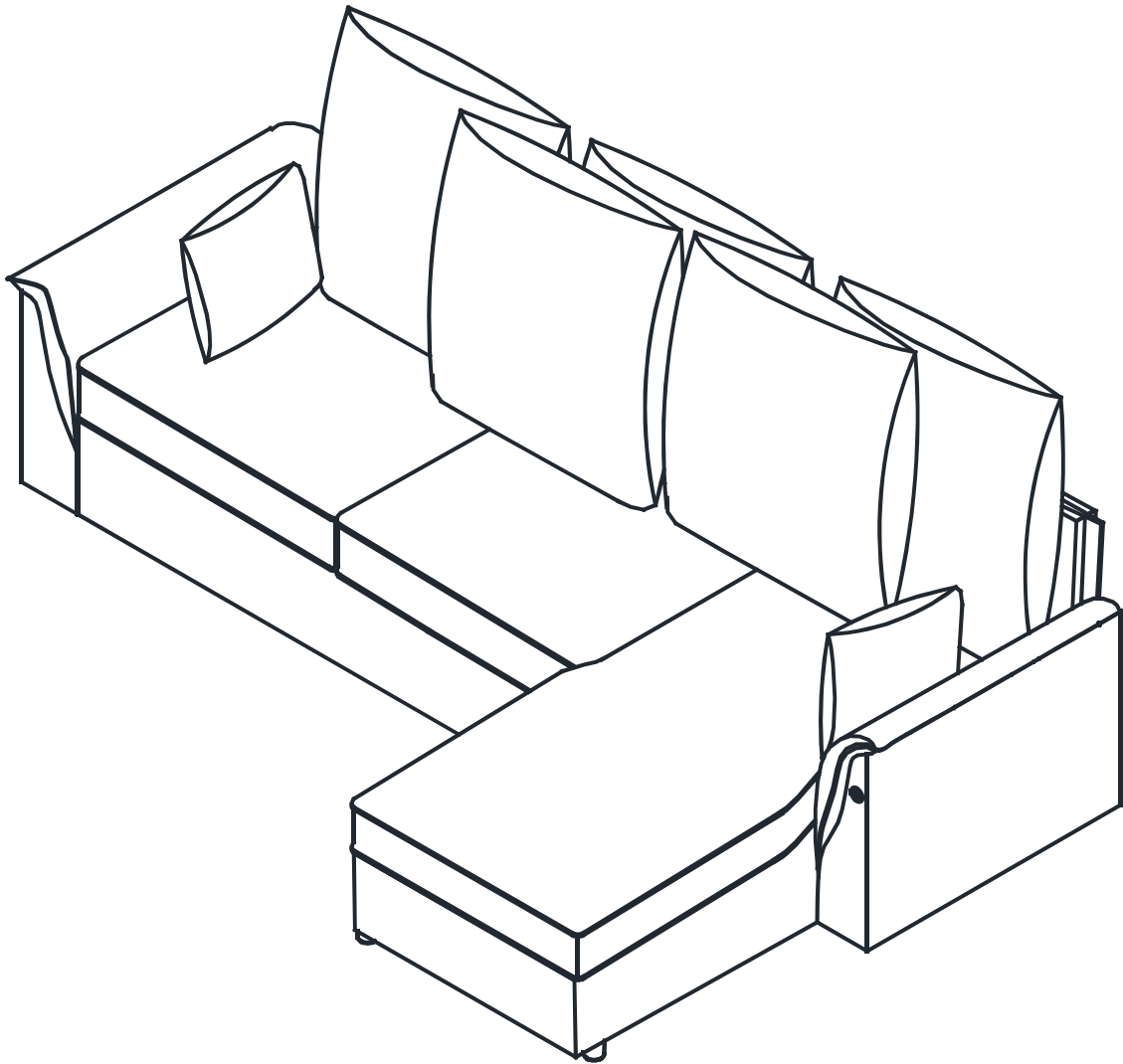


**THE MANUAL IS FOR REFERENCE ONLY AND IS SUBJECT TO
THE ACTUAL PRODUCT.**



Sectional Sleeper Sofa - HS039

Assembly Instructions

Montageanleitung

Instrucciones de ensamblaje

Instructions de montage

Istruzioni di montaggio

English

This seating furniture is tested for domestic use according to EN-12520.

Care and cleaning

- Wipe clean with a cloth dampened in a mild cleaner.
- Wipe dry with a clean cloth.

Deutsch

Dieses Sitzmöbel ist für den Hausgebrauch getestet gemäß EN-12520.

Reinigung und Pflege

- Mit einem feuchten Tuch mit milder Seifenlösung abwischen.
- Trocken nachwischen.

Español

Este asiento se ha probado para uso doméstico según la norma EN-12520.

Mantenimiento y limpieza

- Limpiar con un paño humedecido con una suave solución jabonosa.
- Secar con un paño limpio.

Français

Ce siège a été testé pour un usage domestique, en conformité avec le règlement EN-12520.

Entretien et nettoyage

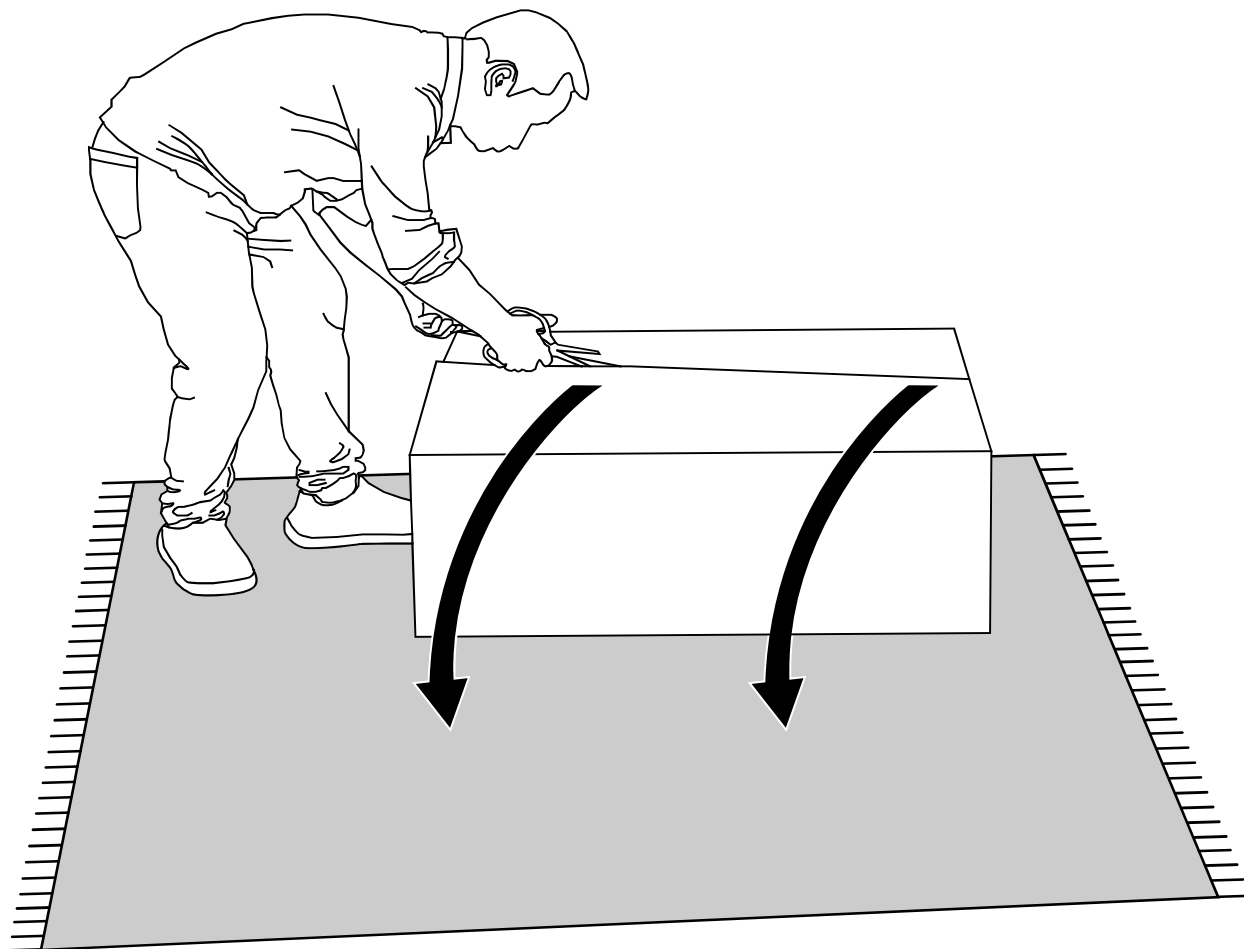
- Nettoyer avec un chiffon humide et une solution savonneuse.
- Essuyer avec un chiffon sec et propre.

Italiano

Questa seduta è stata testata per l'uso domestico in conformità alla norma EN-12520.

Istruzioni per la pulizia

- Pulisci con un panno inumidito in un detersivo poco concentrato.
- Asciuga con un panno asciutto.

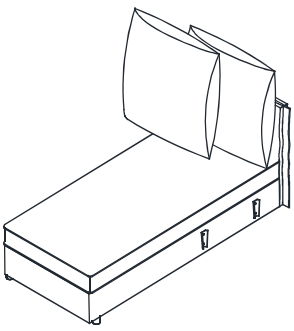


i Gentle reminder :



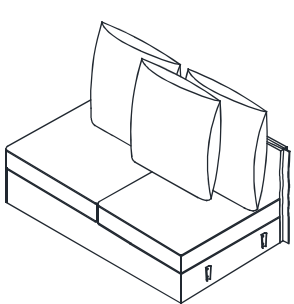
This page displays all available modules for this sectional sofa. Please refer to your order details for specific configuration information. Additional modules can be purchased separately.

Package A



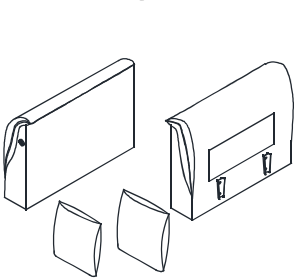
A	B	G	H
4X	1/4*45 mm 4X	ø8*16 mm 4X	ø8*60 mm 4X

Package B



A	B	C	D	E	F	G	H
4X	1/4*45 mm 4X	4X	1/4*25 mm 8X	2X	1/4*40 mm 4X	ø8*16 mm 8X	ø8*60 mm 8X

Package C



A	B	I	J
4X	1/4*45 mm 4X	1/4 1X	M8 1X



English

Allow 36-72 hours for the cushion to inflate fully. Give the pillow a regular fluffing to maintain its loft.

Deutsch

Lassen Sie 36-72 Stunden zu, damit das Kissen vollständig aufgepumpt wird.

Español

Deje 36-72 horas para que la almohada se hinche completamente.

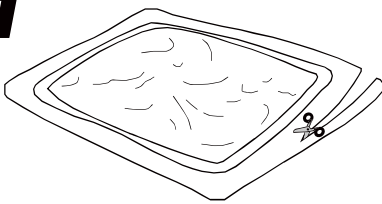
Français

Laissez 36 à 72 heures pour que le coussin gonfle complètement.

Italiano

Lasciare 36-72 ore affinché il cuscino si gonfi completamente.

1



English

Cut and open the package.

Deutsch

Schneiden und öffnen Sie die Verpackung.

Español

Cortar y abrir el paquete.

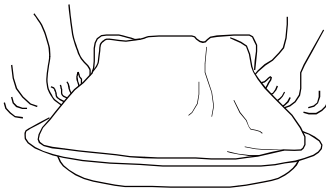
Français

Couper et ouvrir l'emballage.

Italiano

Tagliare e aprire l'imballo.

2



English

Rotate the cushion multiple times and pat from the sides.

Deutsch

Drehen Sie das Kissen mehrmals und klopfen Sie es von der Seite.

Español

Gire el cojín varias veces y golpee por los lados.

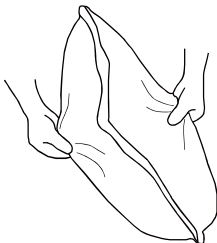
Français

Tournez le coussin plusieurs fois et frappez des côtés.

Italiano

Ruota il cuscino più volte e sbatti dai lati.

3



English

Gently pull the fabric cover and cushion filling outward.

Deutsch

Ziehen Sie die Stoffhülle und die Kissenfüllung sanft nach außen.

Español

Jale suavemente la funda de tela y el relleno del cojín hacia afuera.

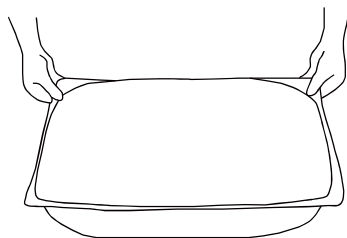
Français

Tirez doucement la housse en tissu et la garniture du coussin vers l'extérieur.

Italiano

Tiri dolcemente la fodera in tessuto e il ripieno del cuscino verso l'esterno.

4



English

Straighten the edges of the fabric cover.

Deutsch

Richten Sie die Ränder der Stoffhülle aus.

Español

Enderece los bordes de la funda de tela.

Français

Redressez les bords de la housse en tissu.

Italiano

Rettificare i bordi della fodera in tessuto.

5



English

Lightly pat the surface to smooth wrinkles.

Deutsch

Sanft die Oberfläche klopfen, um Falten zu glätten.

Español

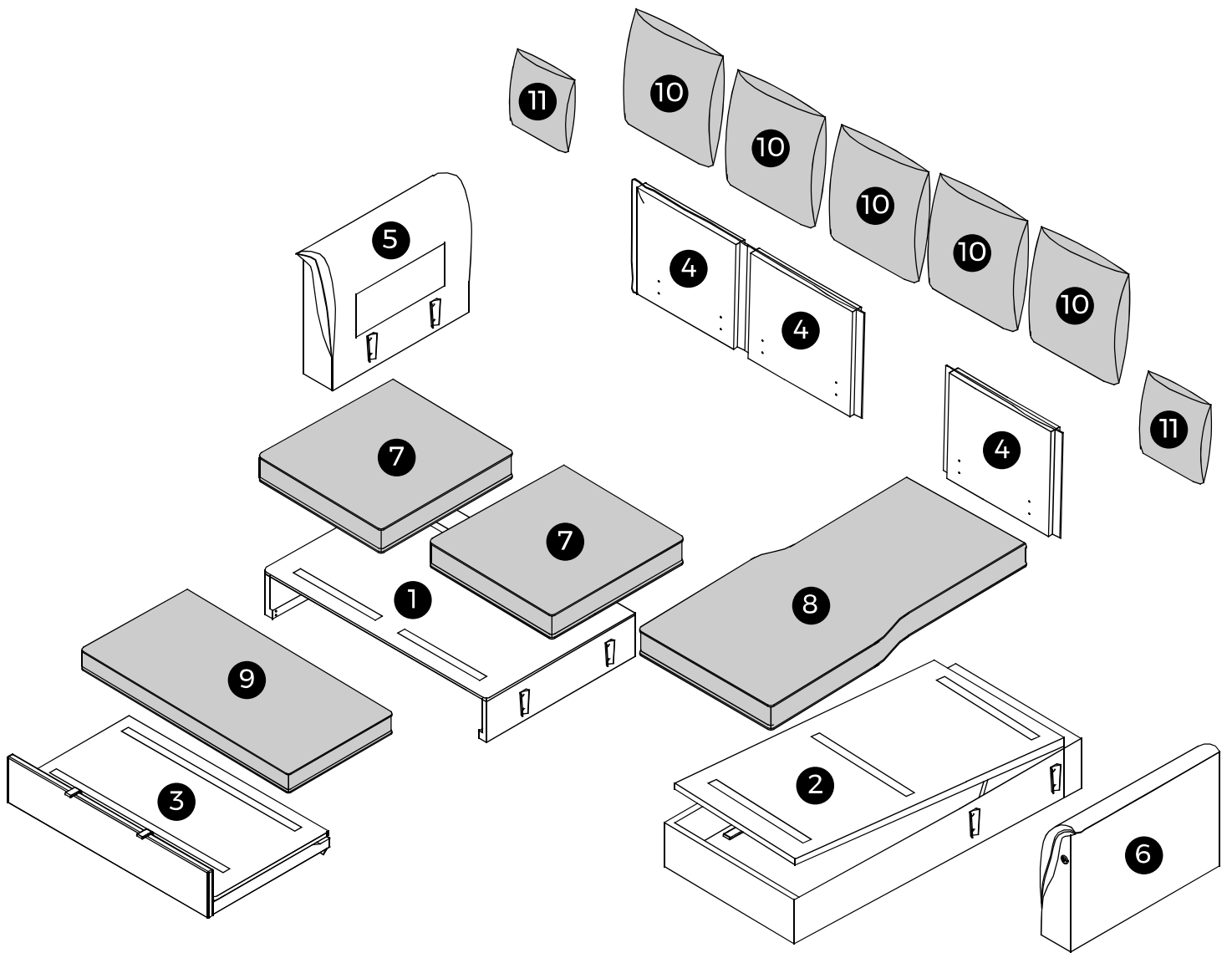
Golpea ligeramente la superficie para alisar las arrugas.

Français

Tapez légèrement la surface pour lisser les rides.

Italiano

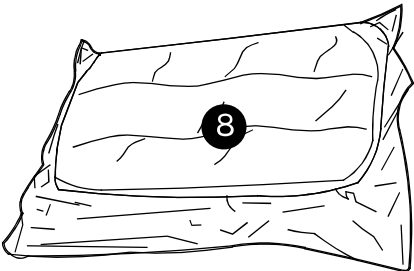
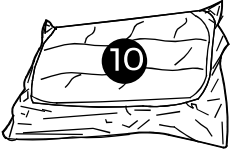
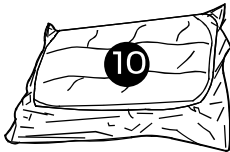
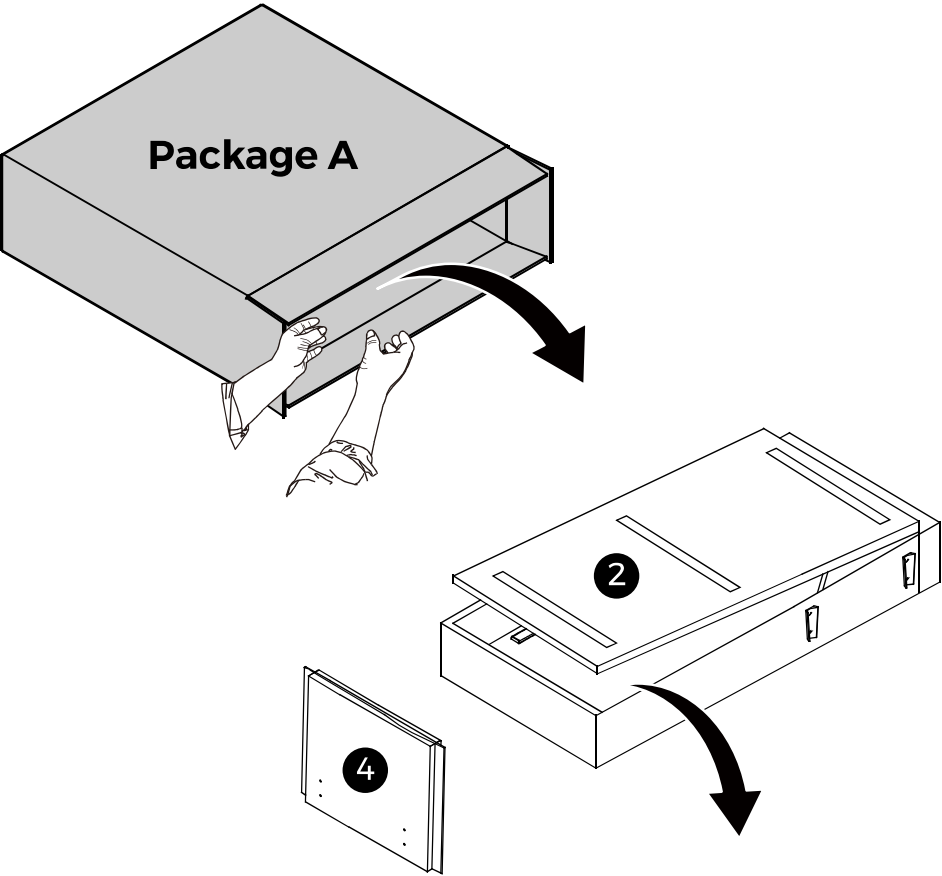
Sbatte leggermente la superficie per stirare le pieghe.



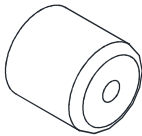


1

Open the packaging box and carefully take out the items.

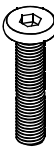


A



4X

B



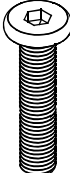
1/4*45 mm
4X

G



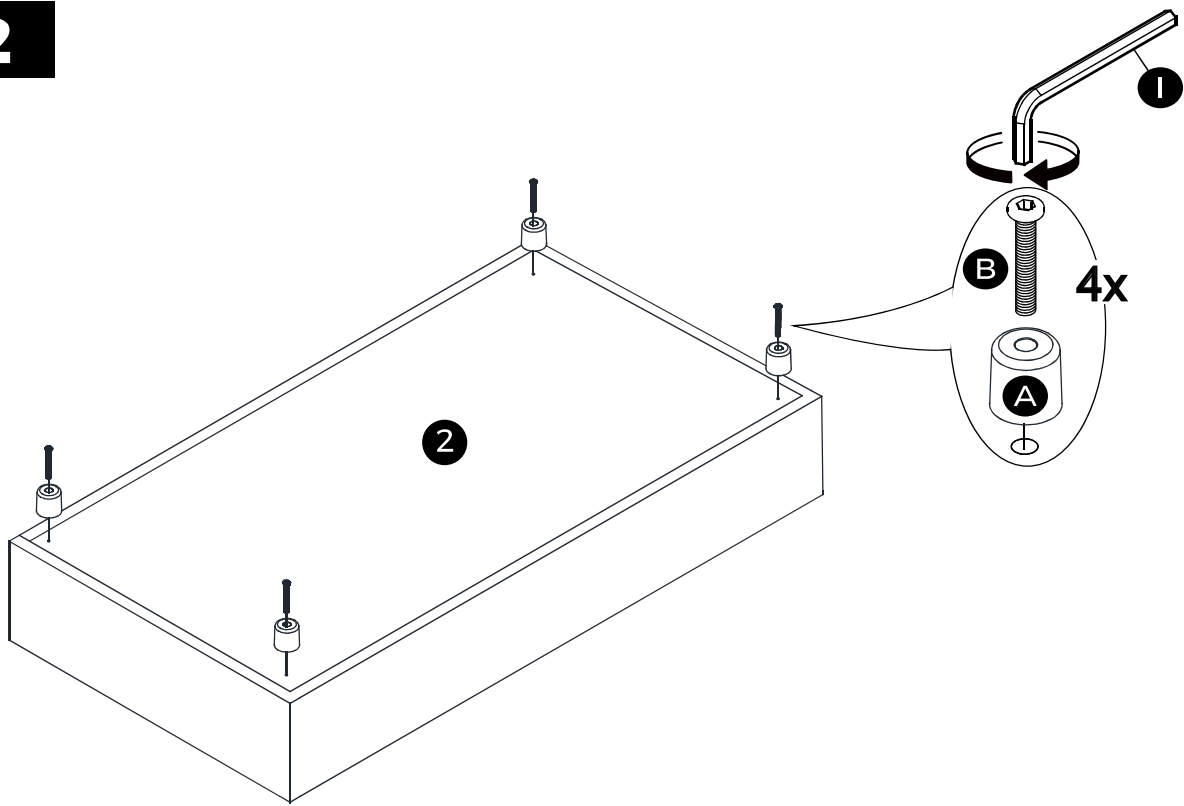
Ø8*16 mm
4X

H

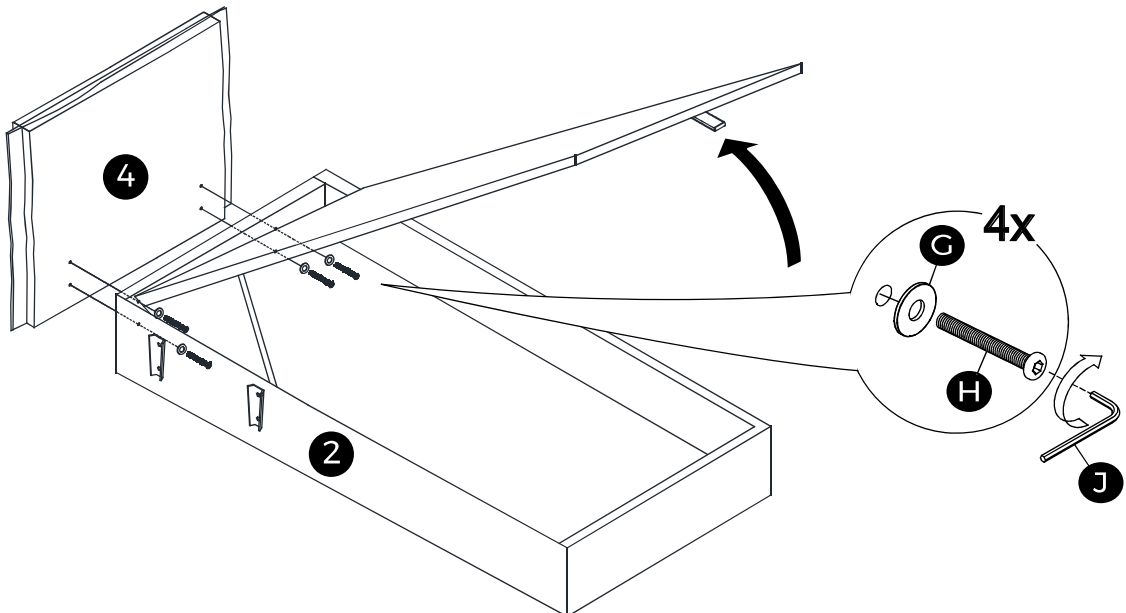


Ø8*60 mm
4X

2

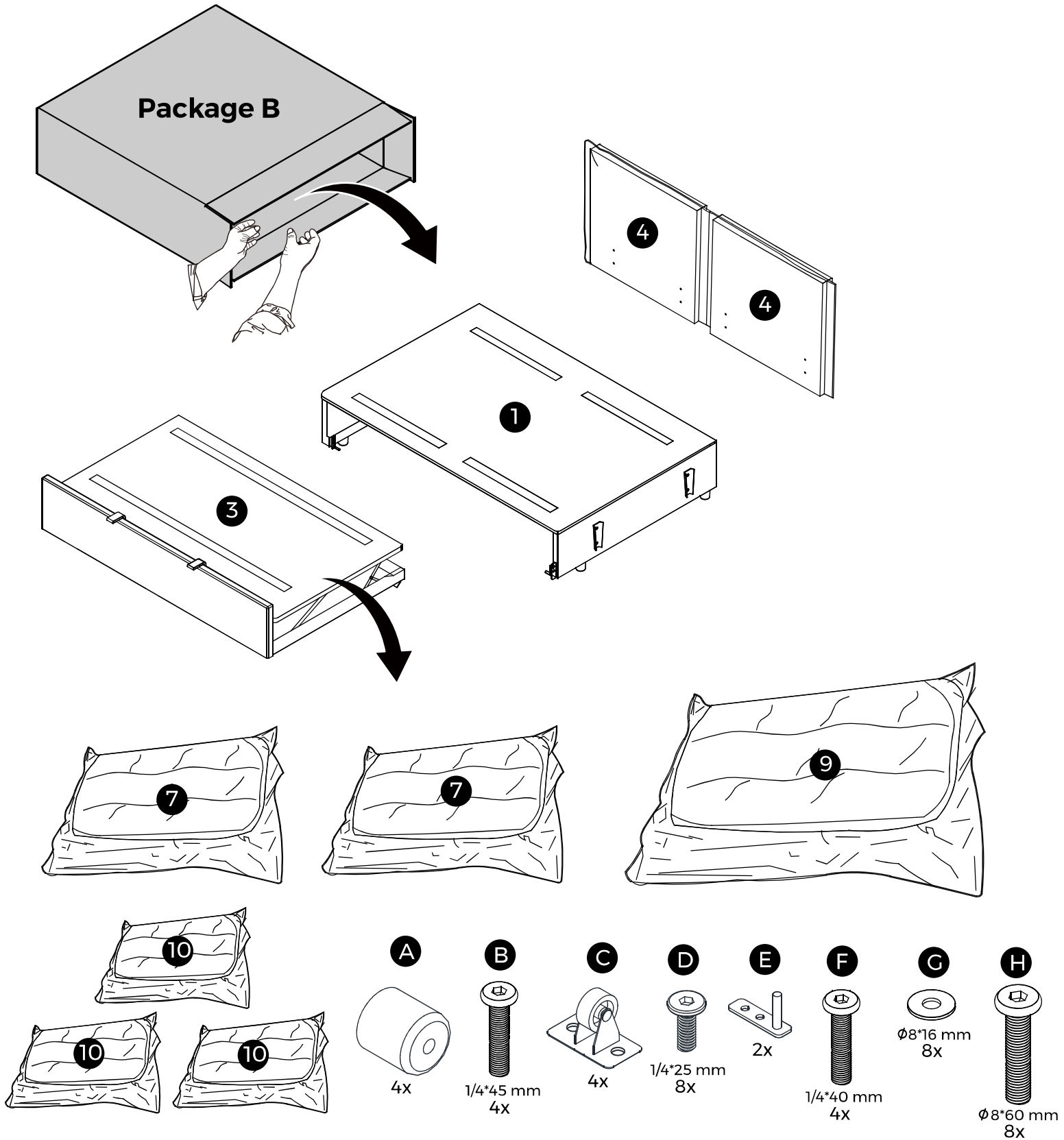


3

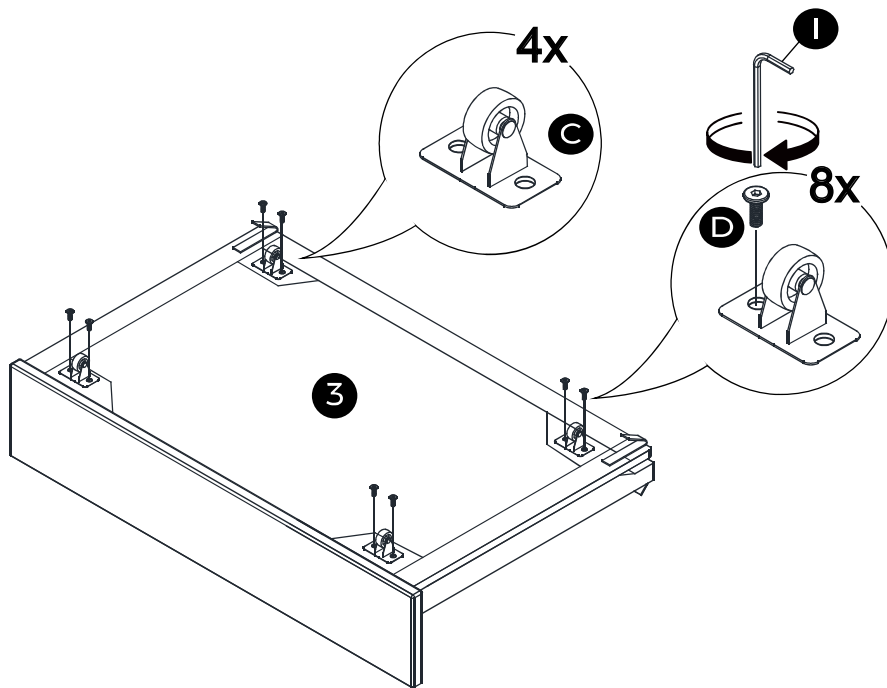


4

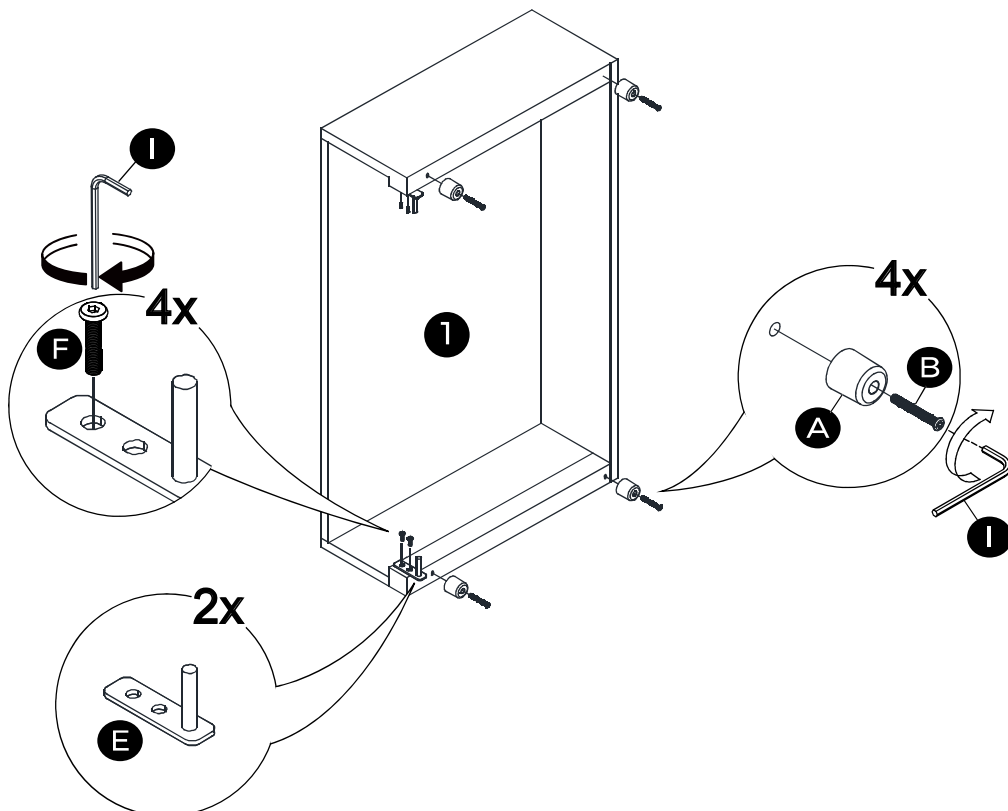
Open the packaging box and carefully take out the items.



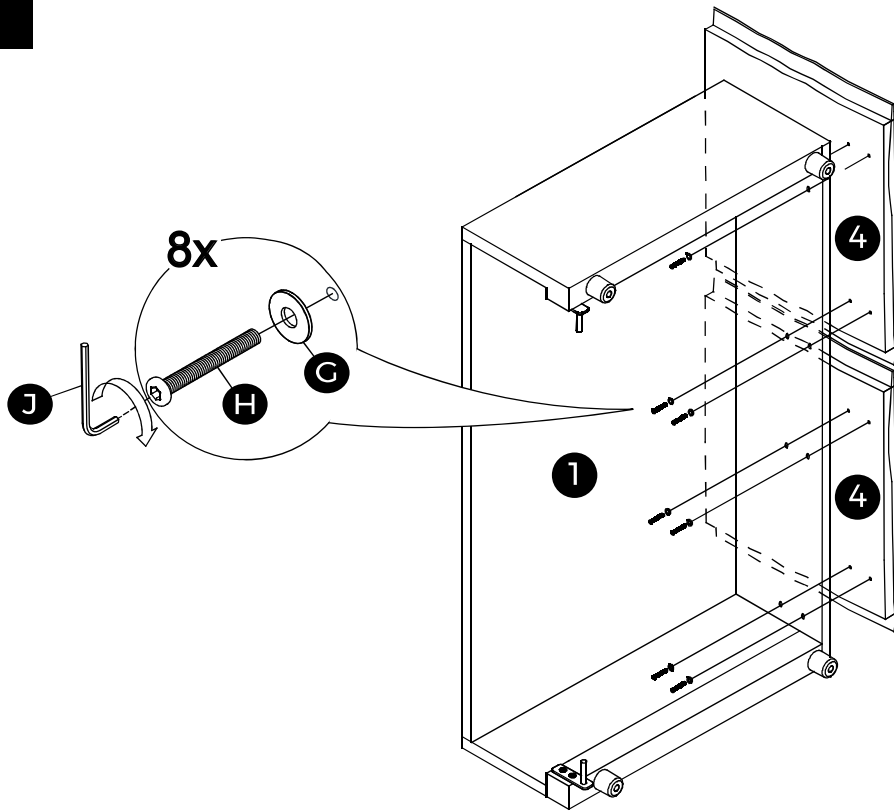
5



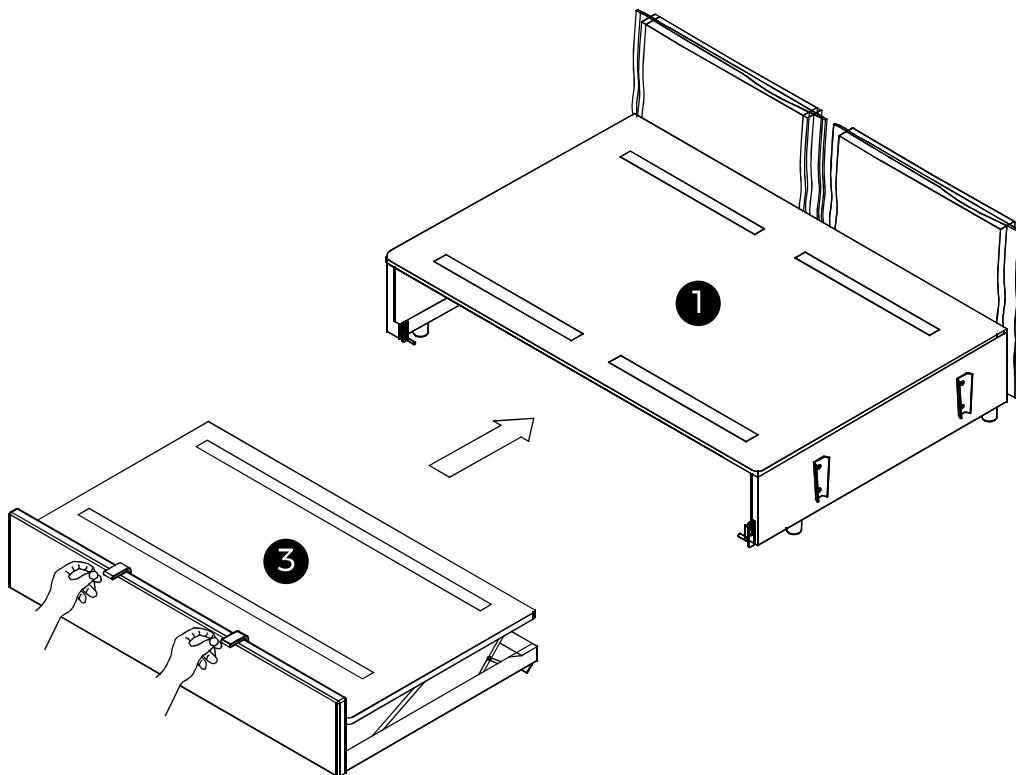
6



7

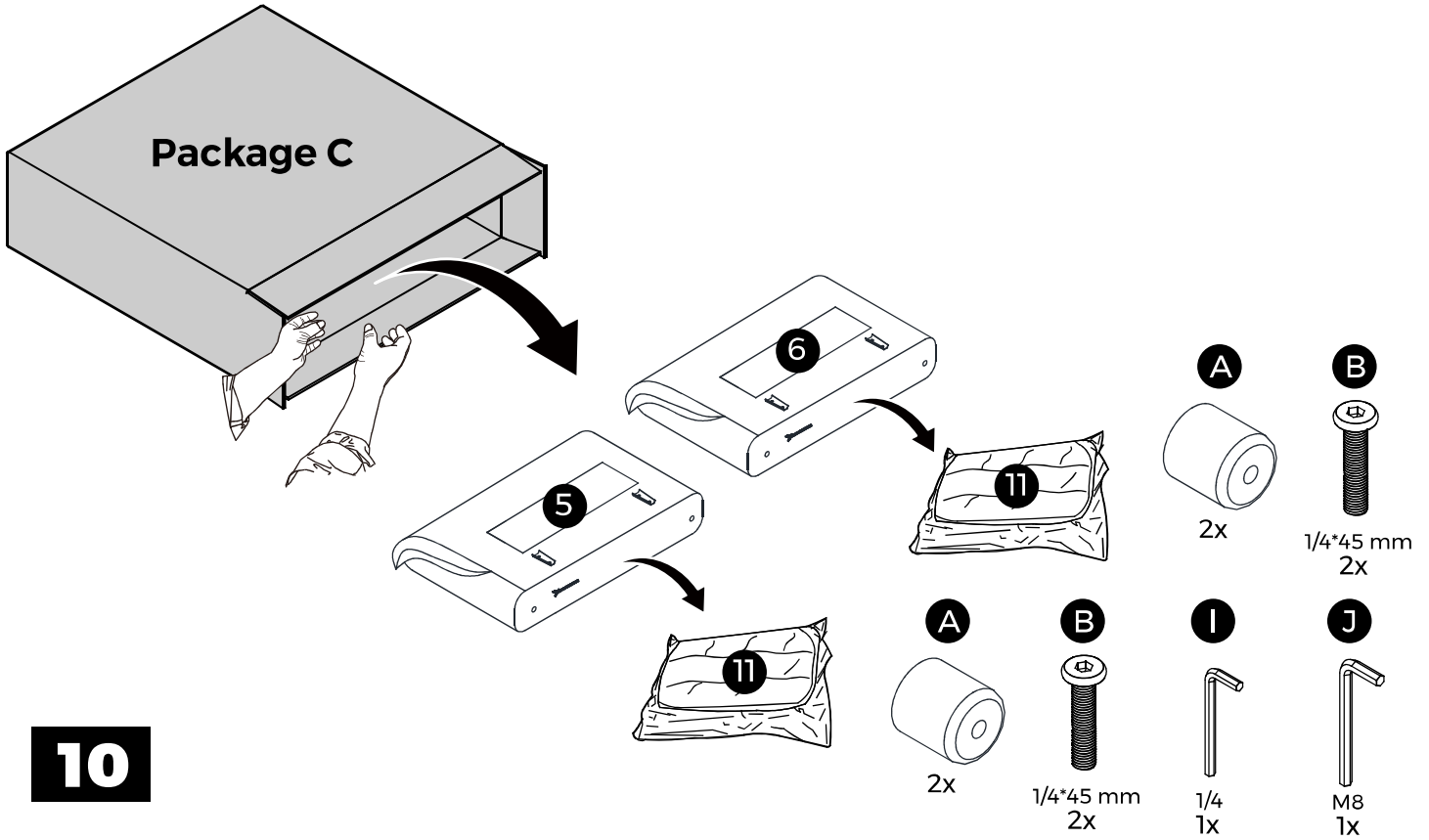


8

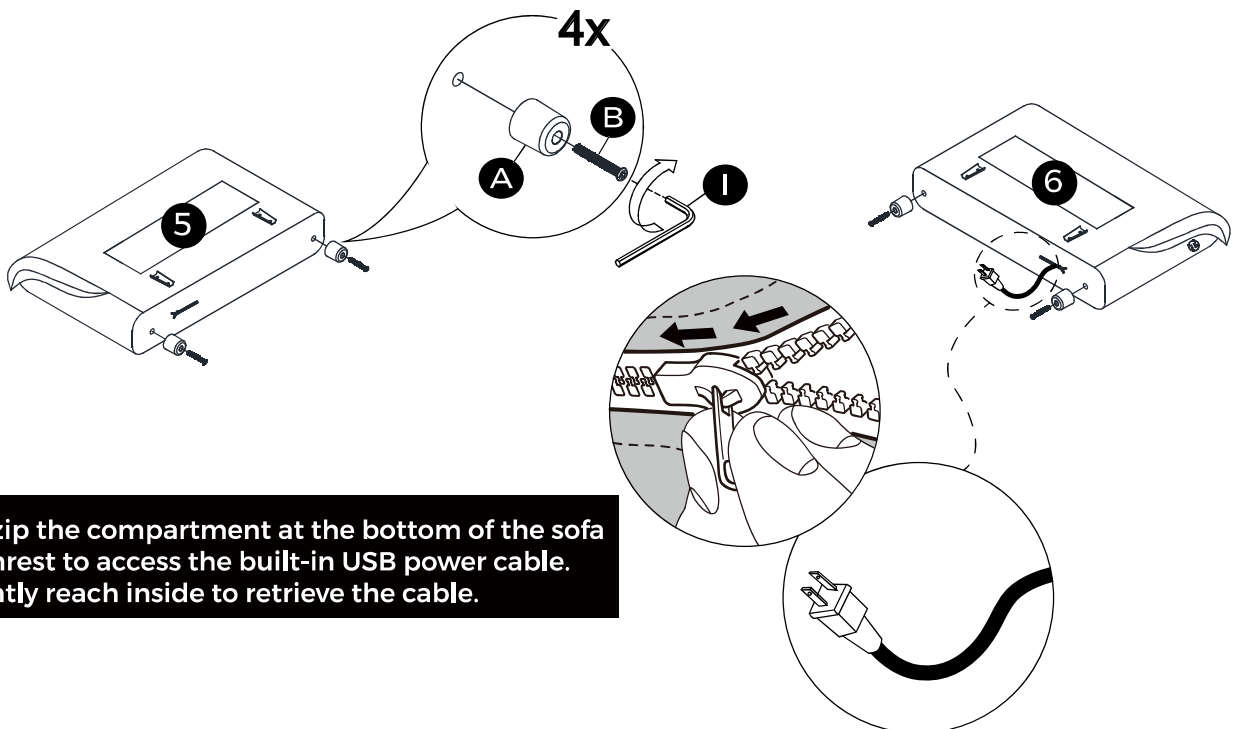


9

Open the packaging box and carefully take out the items.

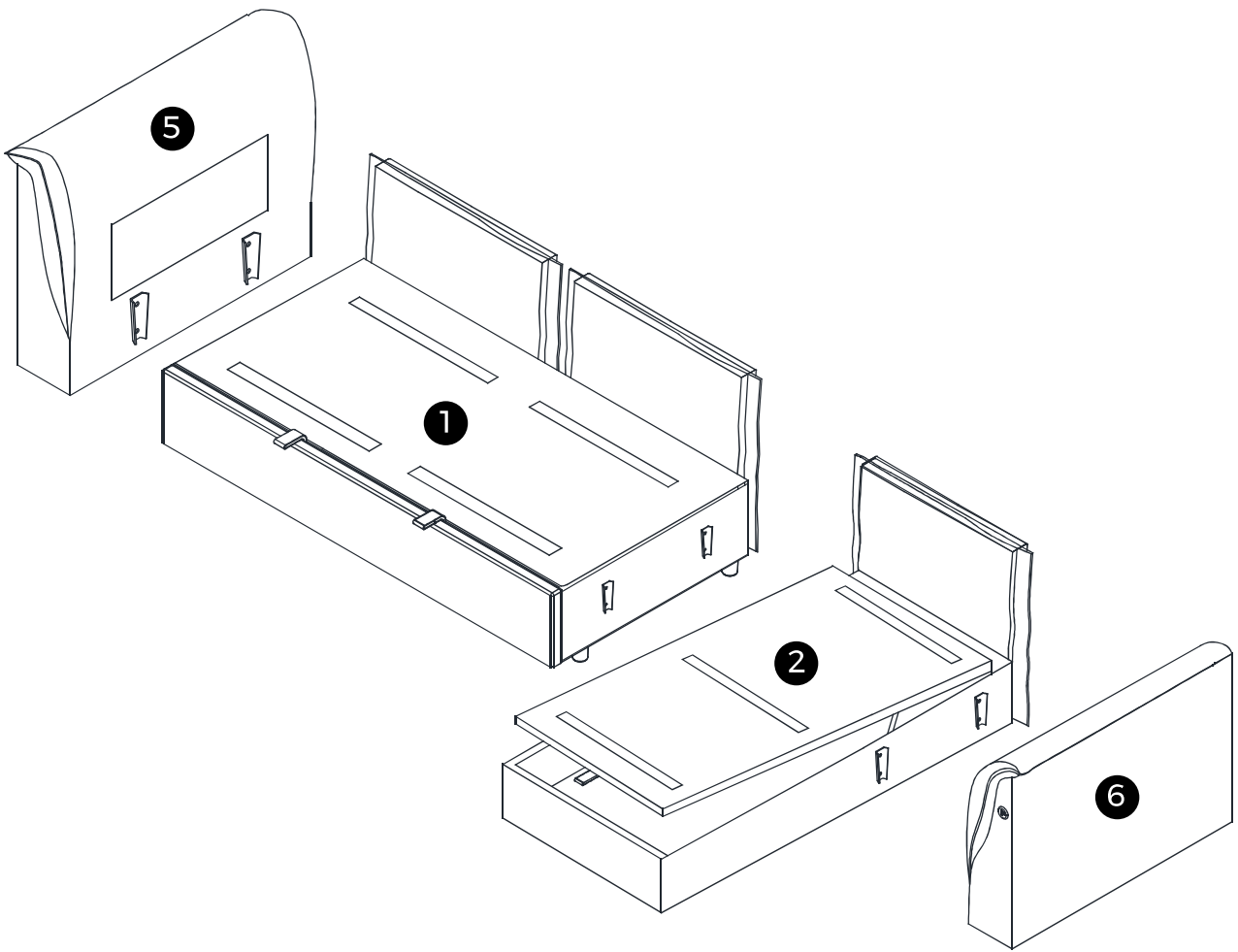


10



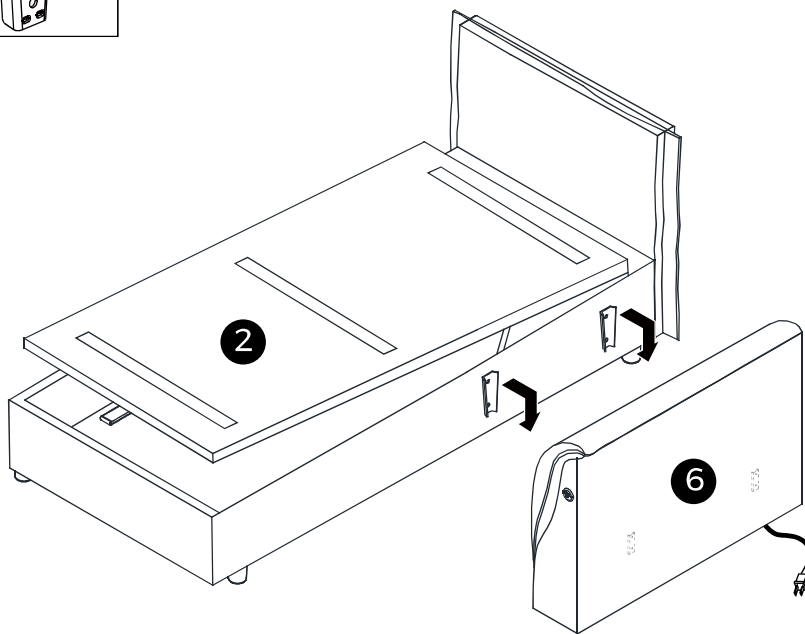
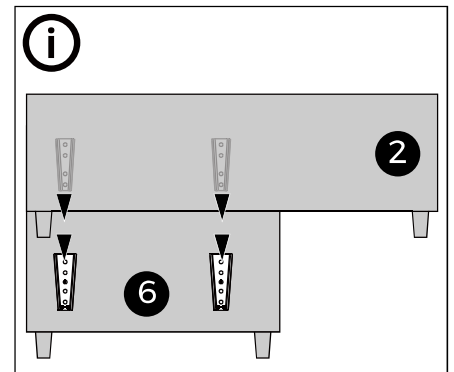
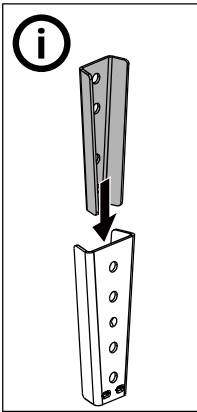
Unzip the compartment at the bottom of the sofa armrest to access the built-in USB power cable. Gently reach inside to retrieve the cable.

i



11

Note: Distinguish between male and female latches.



English

2 people needed for setup: one holds the armrest, the other lifts the seat frame. Align with armrest latches, press down until fully locked.

Deutsch

2 Personen für die Montage erforderlich: Eine hält die Armlehne fest, die andere hebt den Sitzrahmen. Ausrichten mit den Armlehenschlössern, nach unten drücken, bis vollständig verriegelt.

Español

Se necesitan 2 personas para la instalación: una sujeta el reposabrazos, la otra levanta el bastidor del asiento. Alinear con los pasadores del reposabrazos, presionar hacia abajo hasta bloquear completamente.

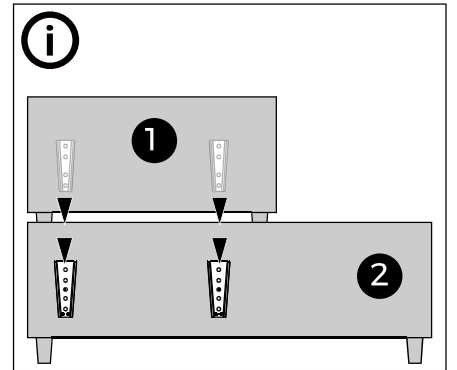
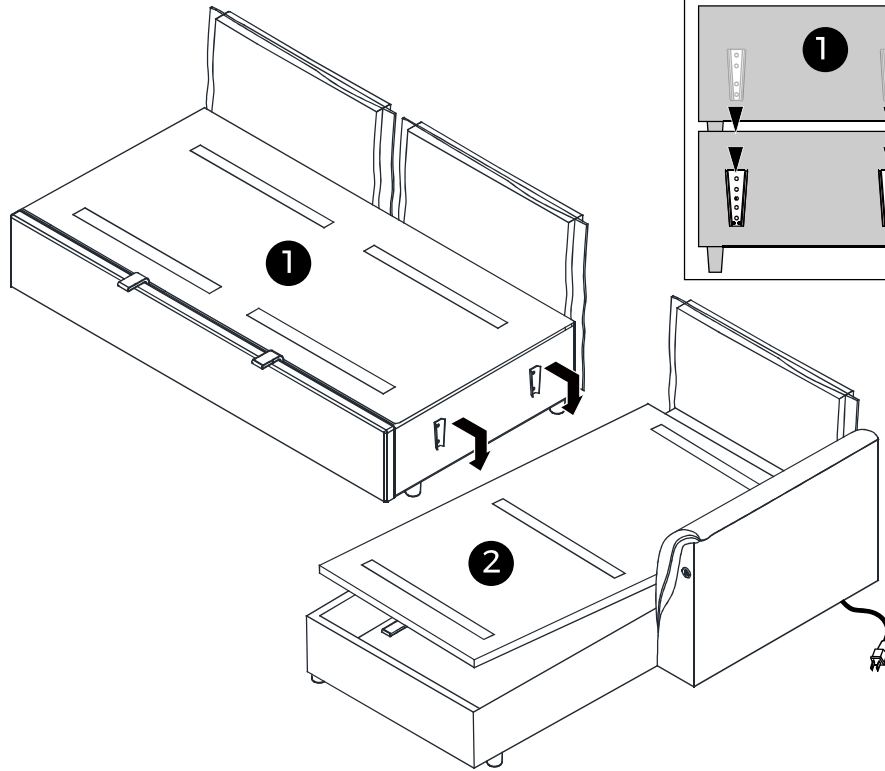
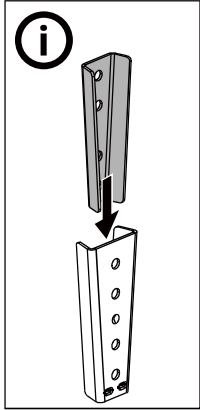
Français

2 personnes nécessaires pour la pose: l'une tient le repose-bras fermement, l'autre lève le cadre du siège. Aligner sur les verrous du repose-bras, appuyer vers le bas jusqu'à verrouillage complet.

Italiano

2 persone necessarie per l'installazione: una tiene fermo il bracciolo, l'altra alza il telaio del sedile. Allineare con i chiavistelli del bracciolo, premere verso il basso fino a essere completamente serrato.

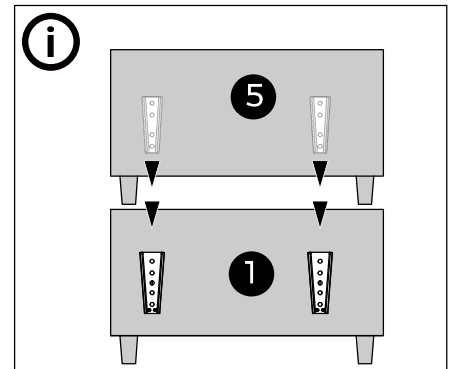
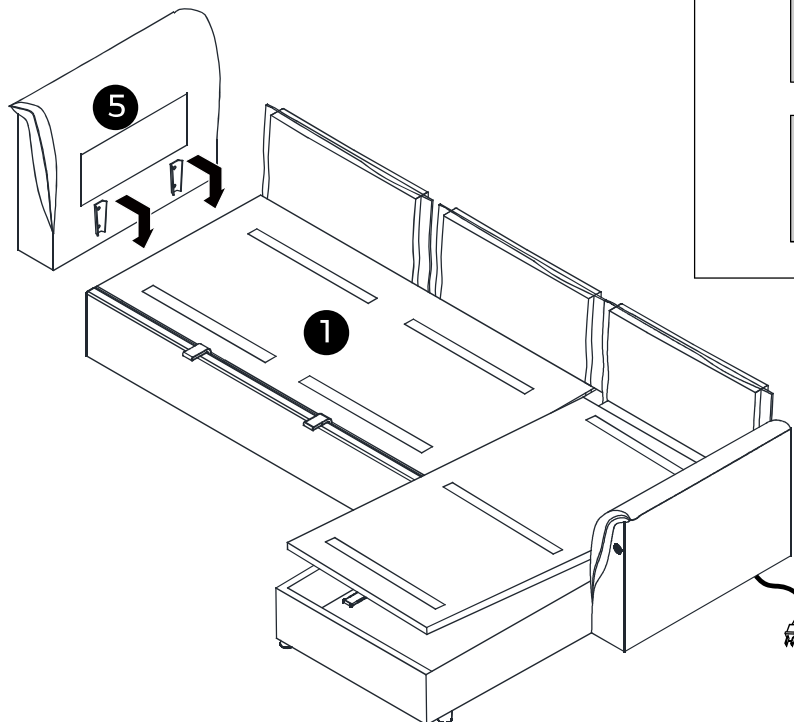
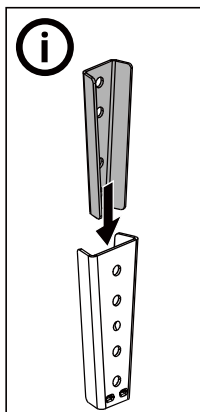
12

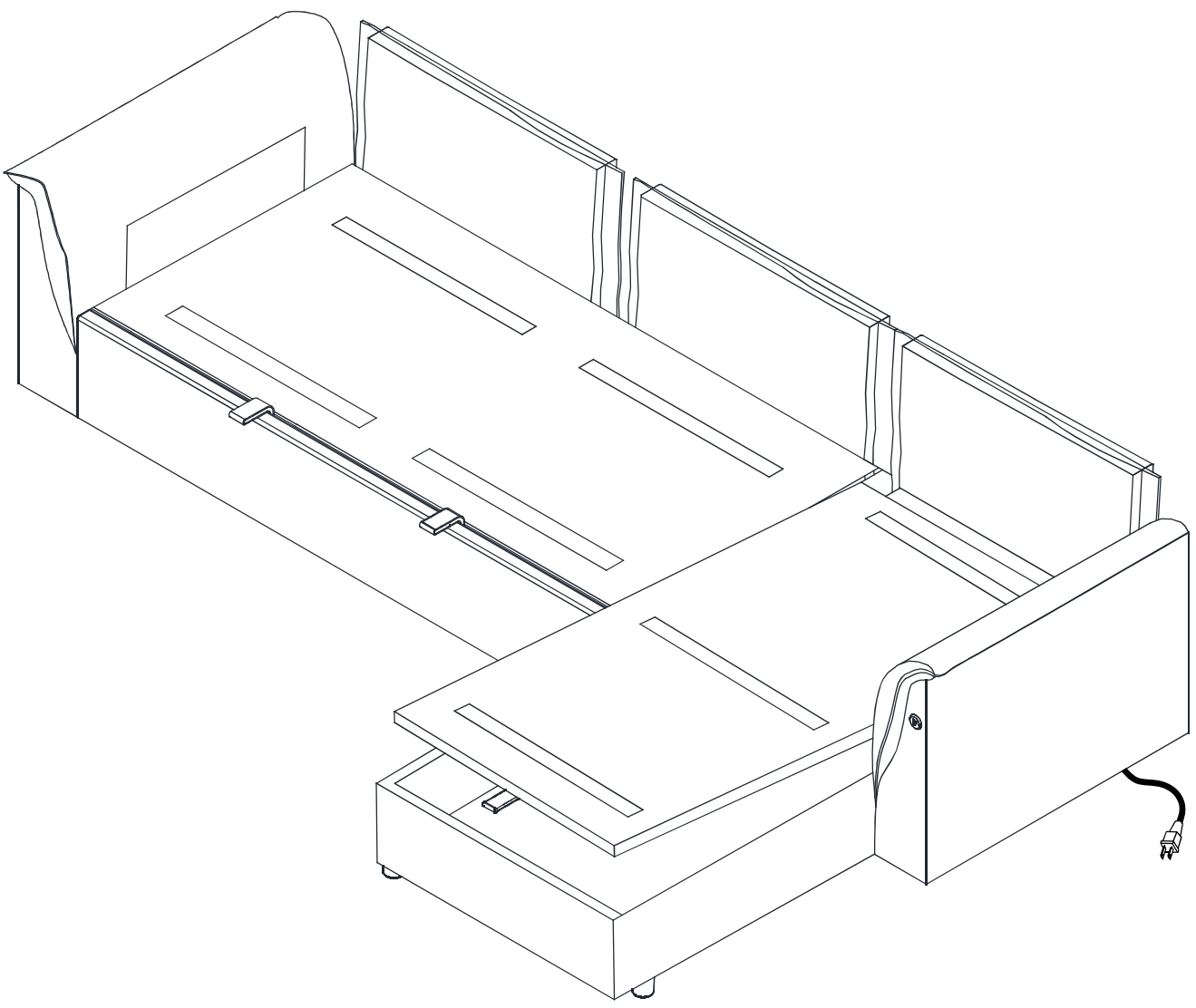


13



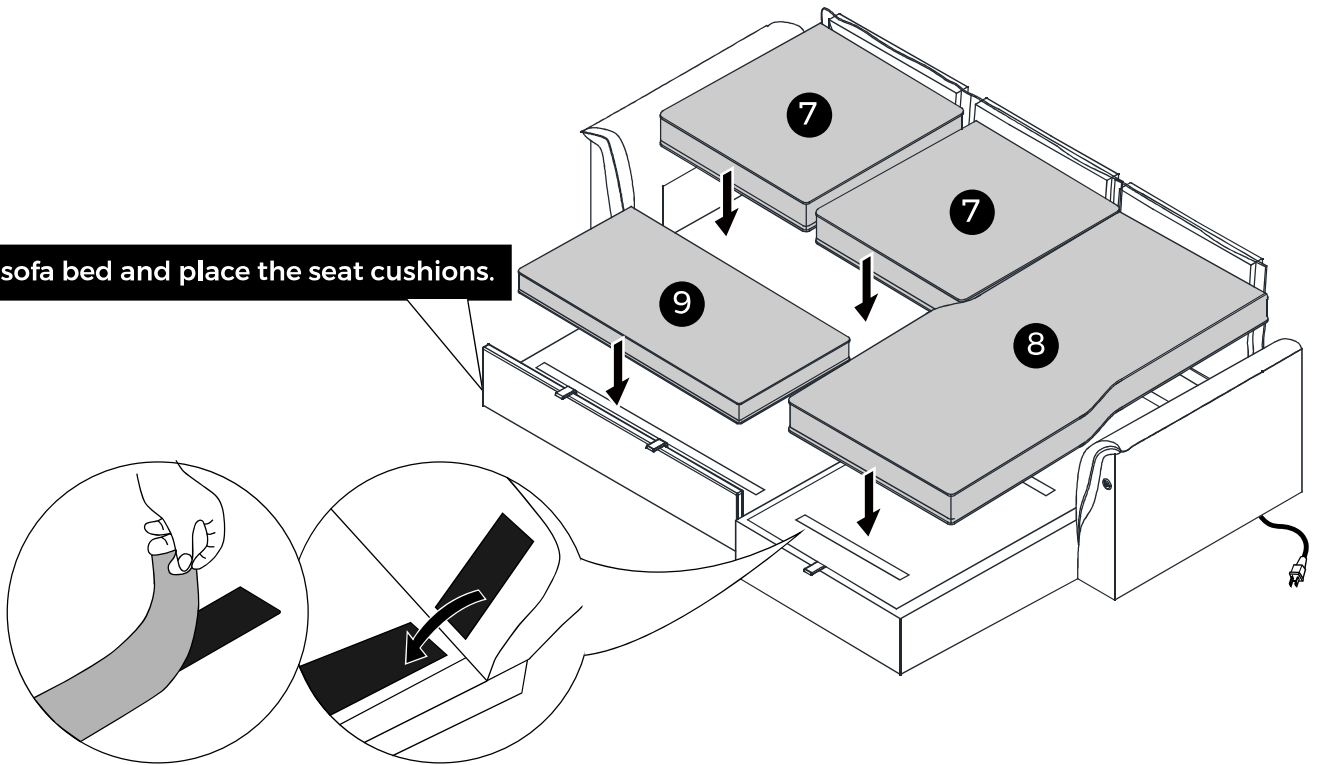
Note: Distinguish between male and female latches.





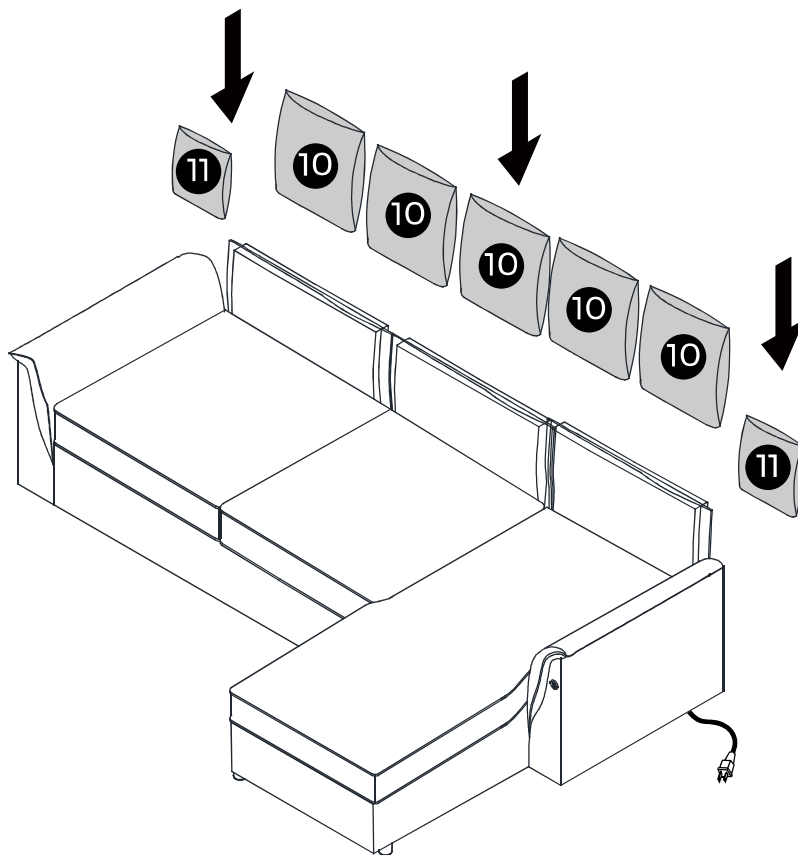
14

Pull out the sofa bed and place the seat cushions.

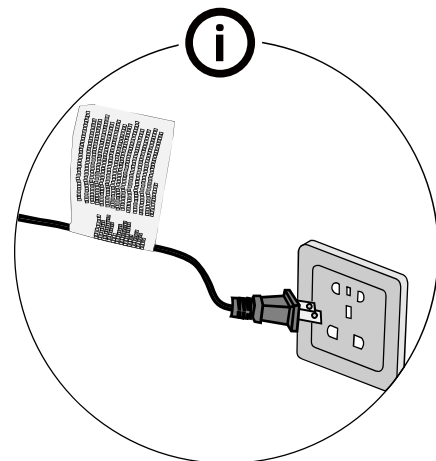
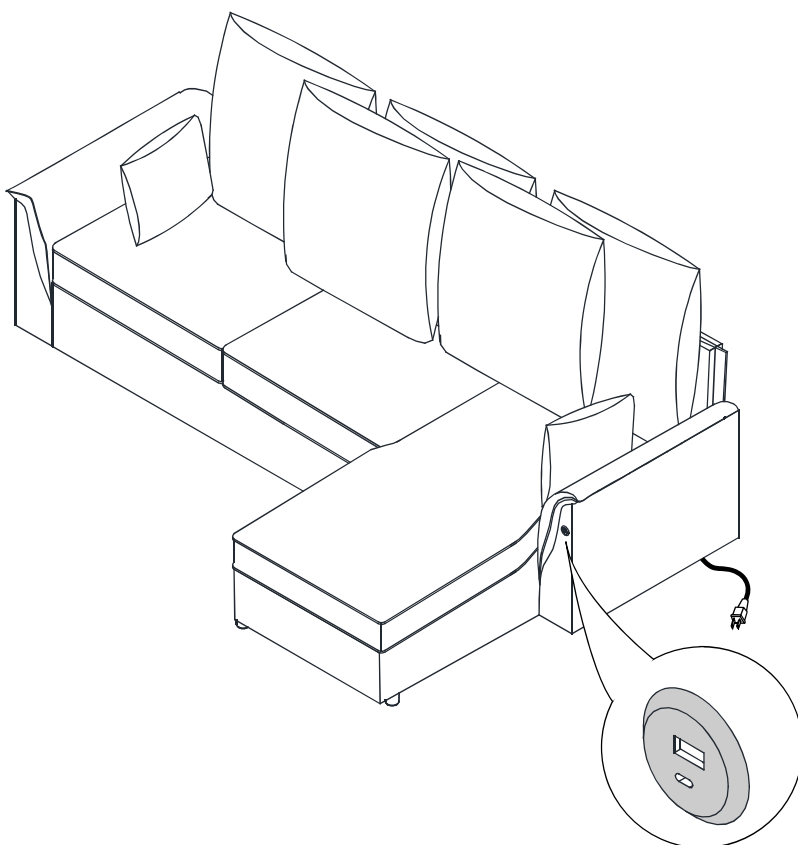


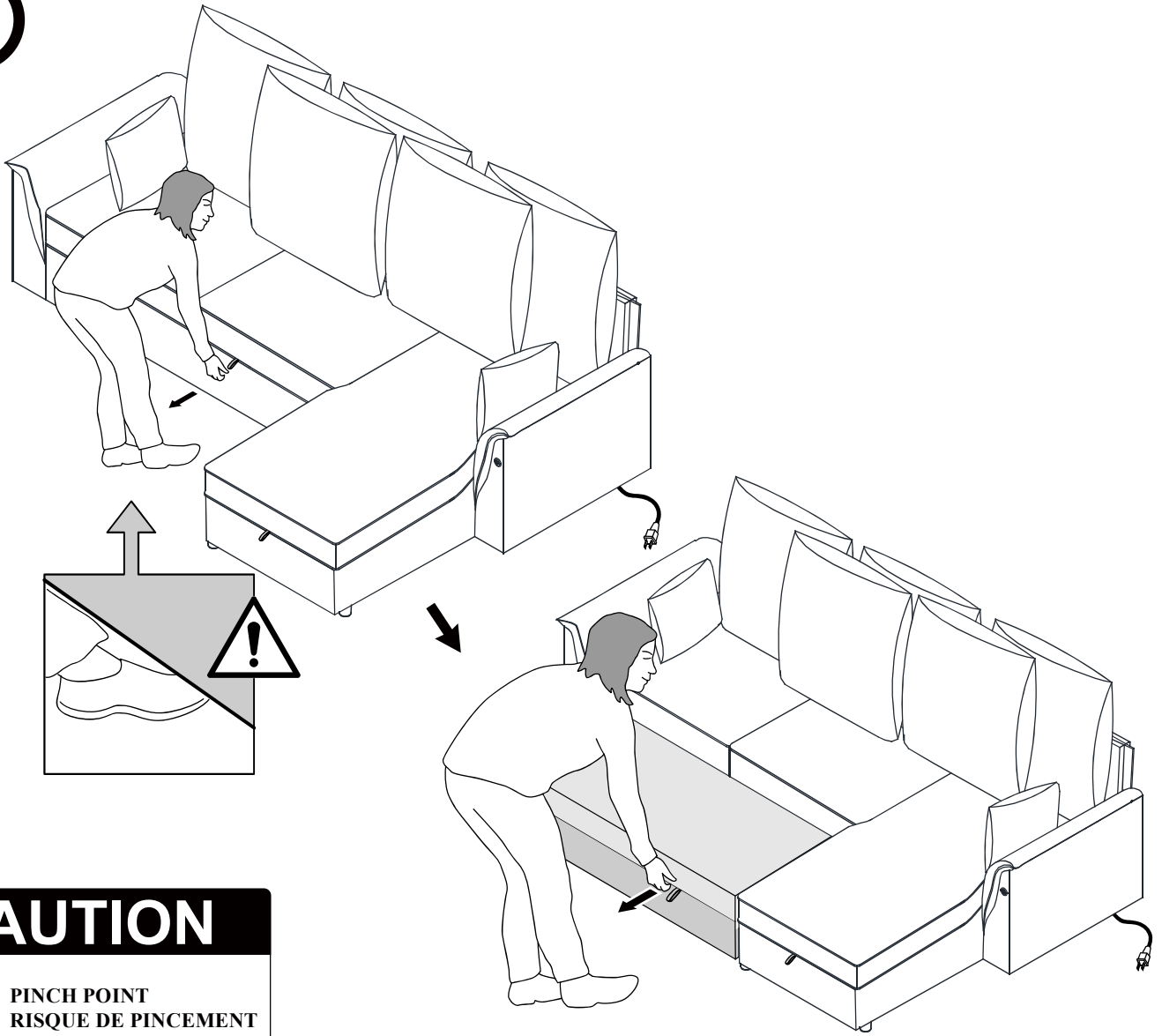
Remove the sticker from the Velcro.

15



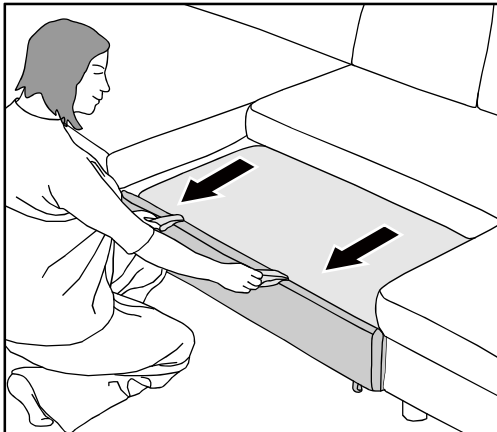
16



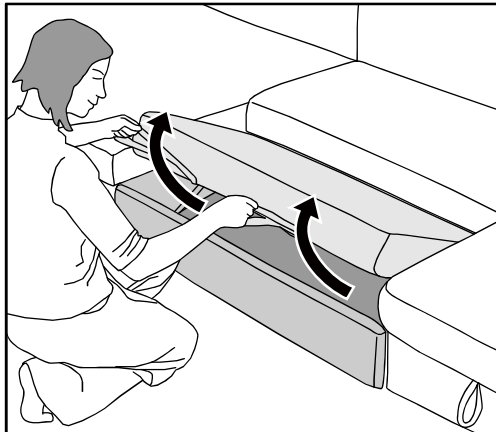


CAUTION

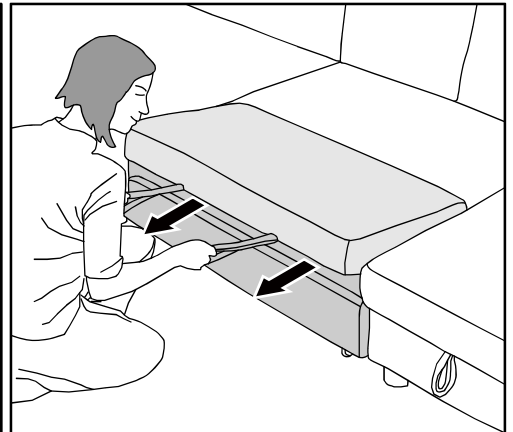
PINCH POINT
RISQUE DE PINCEMENT
PUNTO DE PELLIZCO



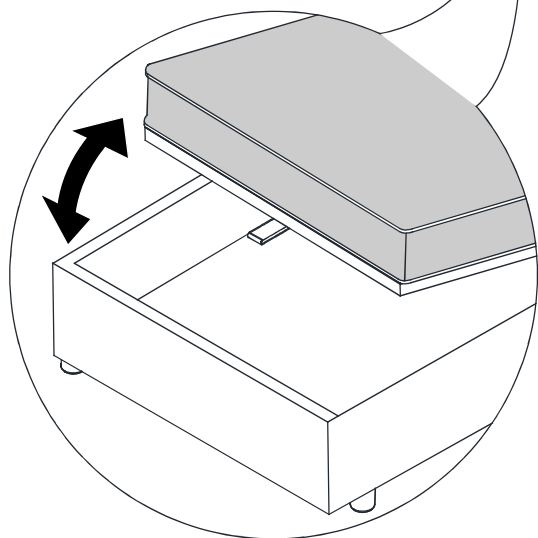
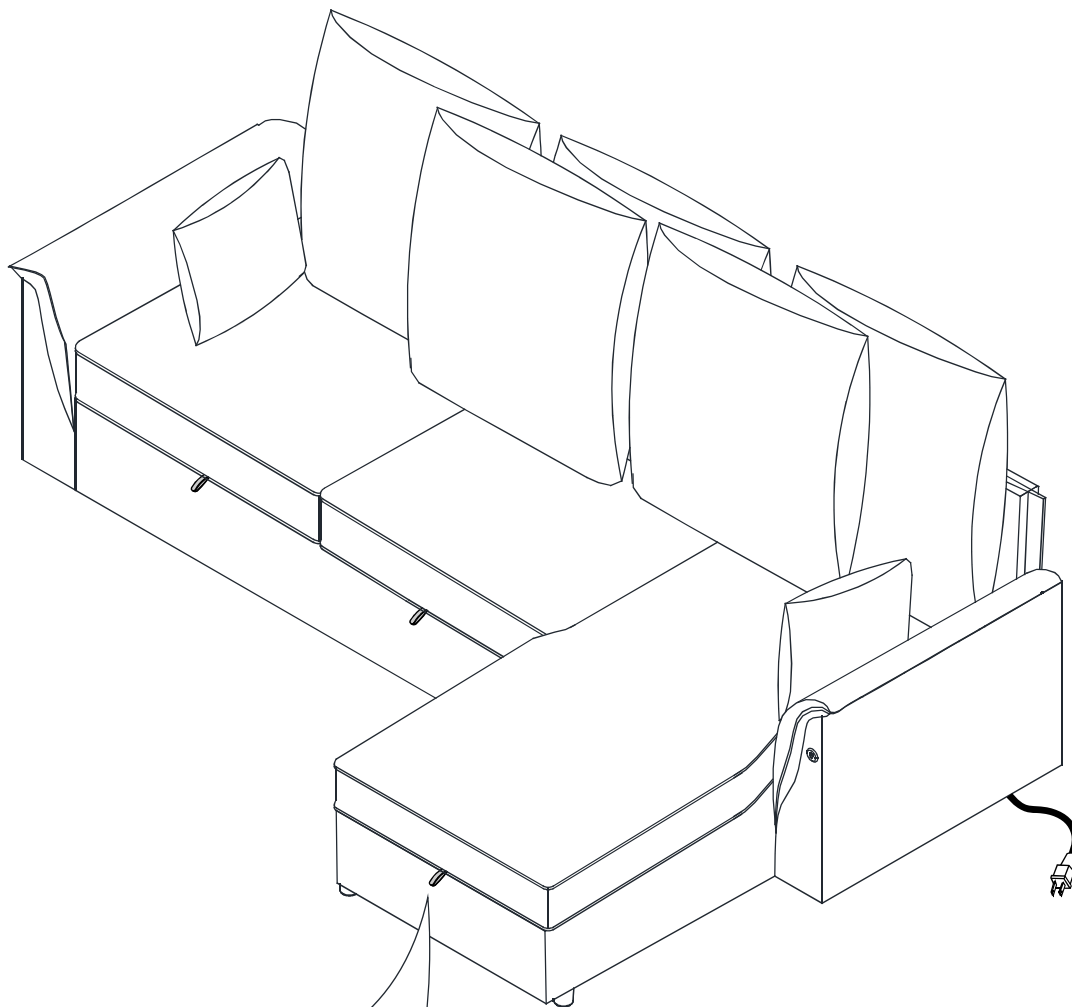
Step 1: Pull it out with both hands



Step 2: Lift it up

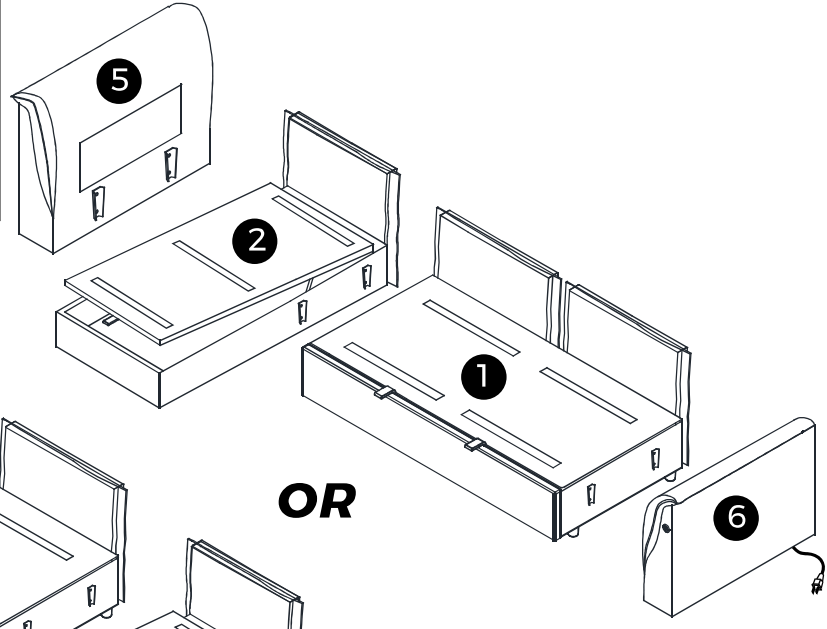
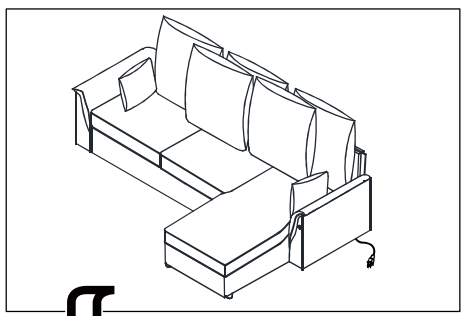


Step 3: Press down and lay it flat.

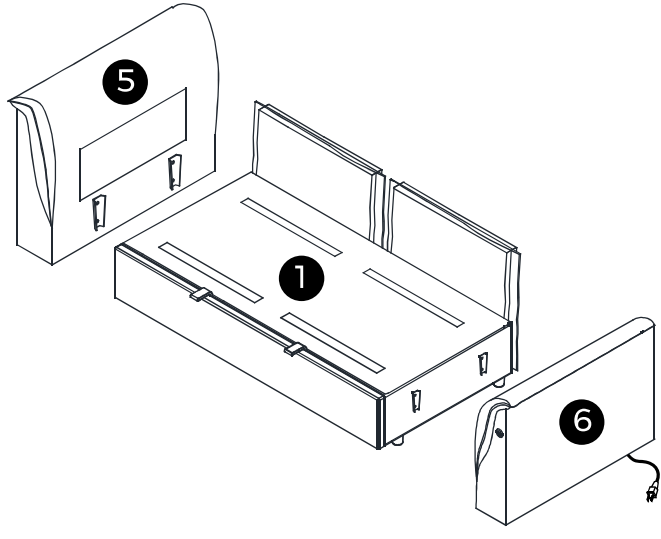
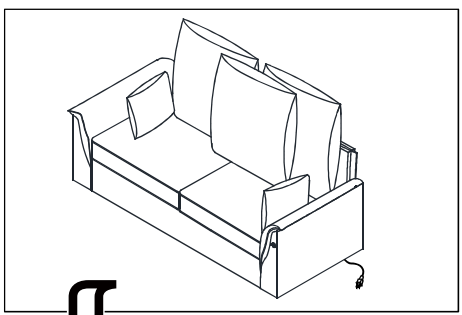


i

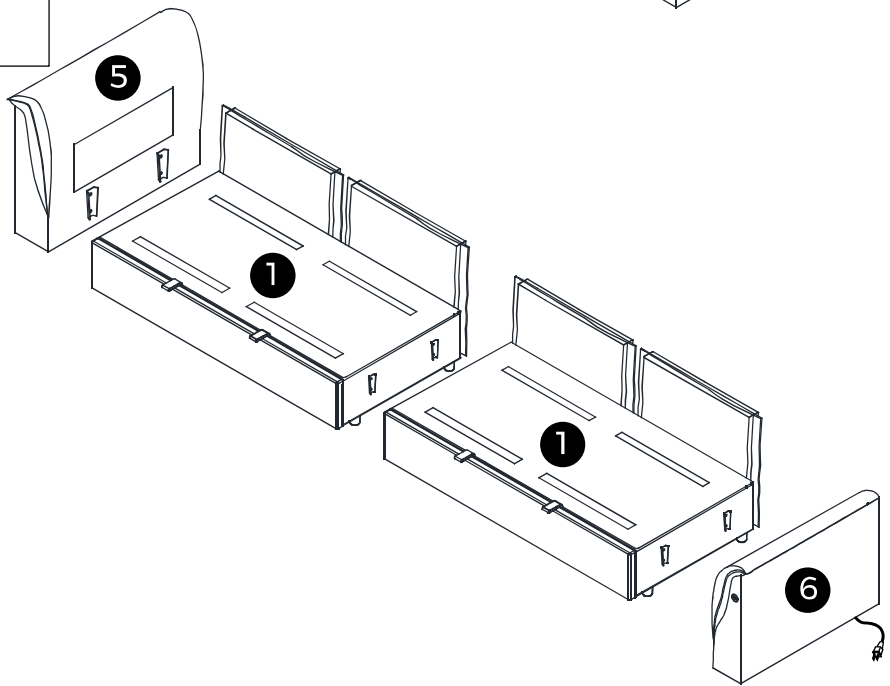
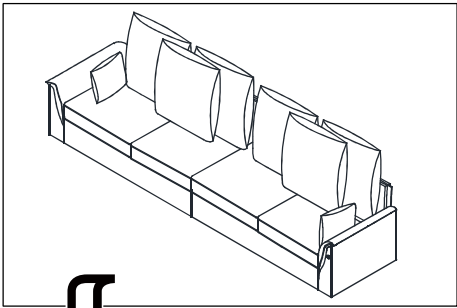
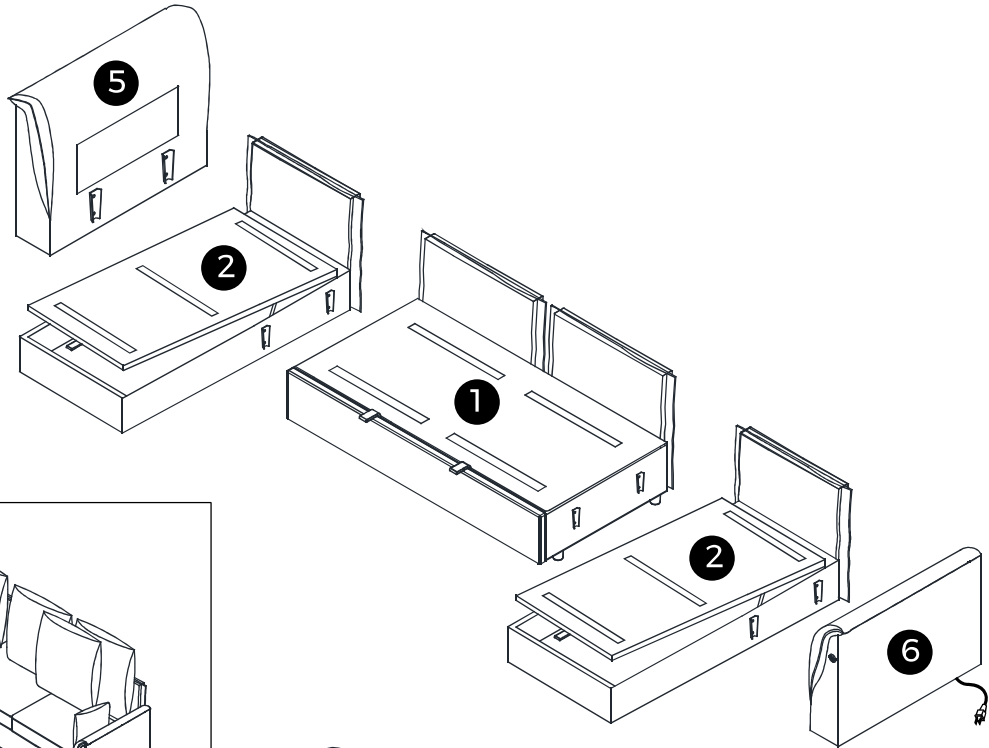
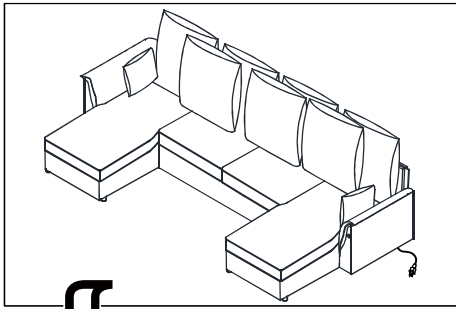
Tip: The storage chaise can be used on either side.



OR



i



Dear Valued Customer,

Thank you for bringing our products into your life.
Your happiness and satisfaction are at the heart of what we do.
If our products have brightened your day, we're thrilled and eager to share that light further.

Encountering an issue? We're here to help swiftly and effectively.
Here's how you can reach us:

Get in Touch

Email us at:
linsyguest@gmail.com

Share Details

Provide your order number and a photo of the issue, along with a brief description.

Await Solutions

Our team will quickly review and propose the right after-sales solution to make things right.

Your feedback propels us forward.
We're committed to ensuring your purchase experience is always positive.

Warmest thanks,
Customer Service Team