

ASSEMBLY INSTRUCTION PALERMO PUB TABLE








IMPORTANT SAFETY CONSTRUCTION

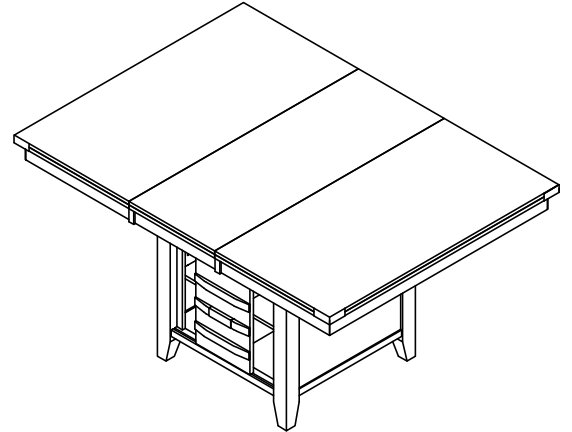
Thanks for purchasing this quality product. Be sure to check all packing material carefully for small parts that may have come loose inside the carton during shipment. Please read all instruction carefully before assembling. For your safety, assembly by two people is recommended.

PARTS INCLUDED

- (1) Table Top (a)
- (4) Table Legs (b)
- (1) Table Base (c)
- (2) Support bar (d)

HARDWARE ENCLOSED

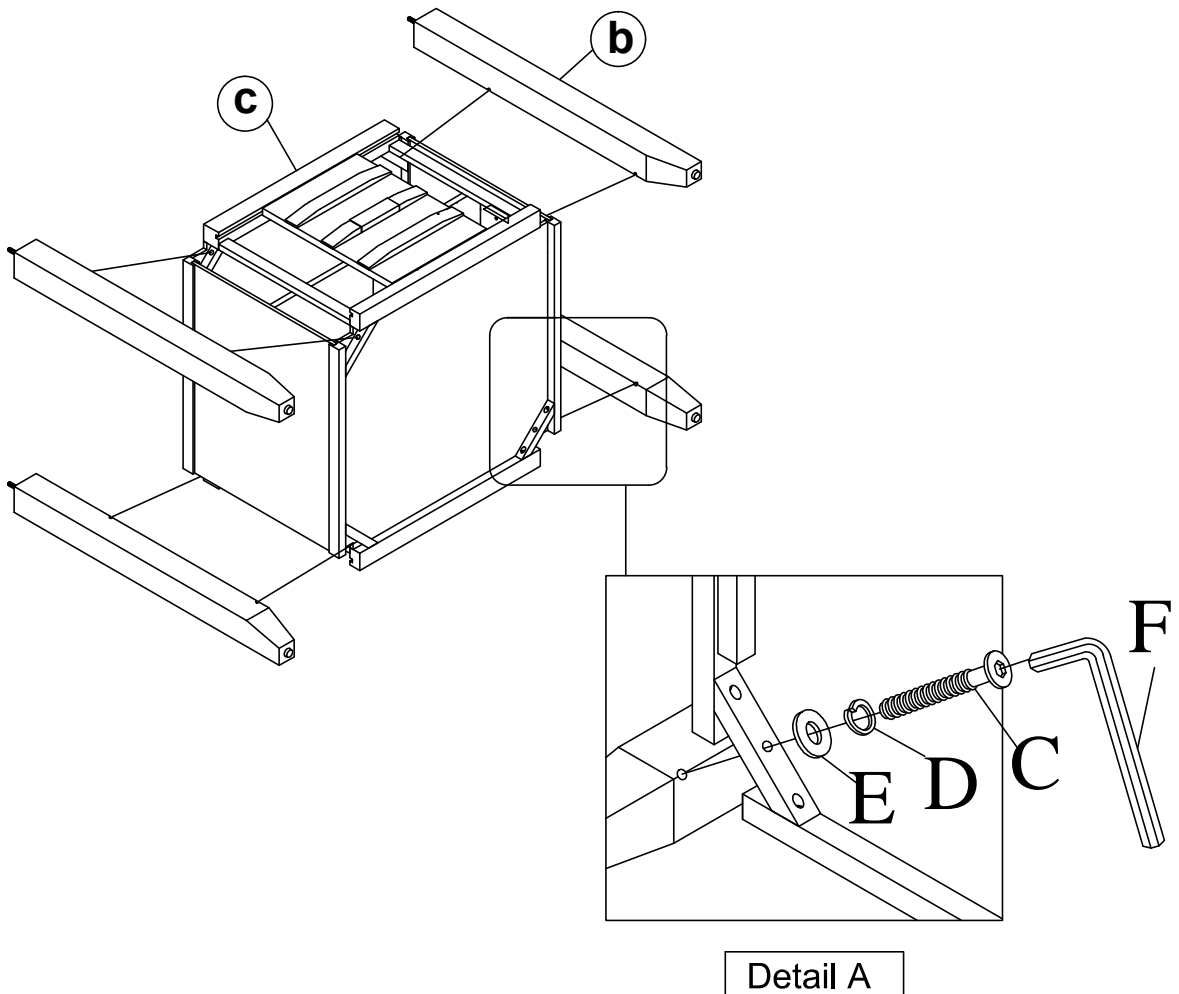
- A 4x  Ø8
- B 8x  Ø8x45mm
- C 8x  Ø6x60mm
- D 20x  Ø8x13mm
- E 20x  Ø8x19mm
- F 1x 
- G 1x 



ASSEMBLY INSTRUCTIONS

STEP 1:

- Carefully lay Base (c) upside down on a smooth flat surface to prevent scratches.
- Affix each Legs (b) to each corner of the Base (c) as shown in illustration. Insert a Flat Washer (E), Lock Washer (D) and Bolt (C) on to the bolts of each corner Base.
- Once all Base are in place, fully tighten nuts by using clockwise using provided Allen Key until secure. (See Detail A).



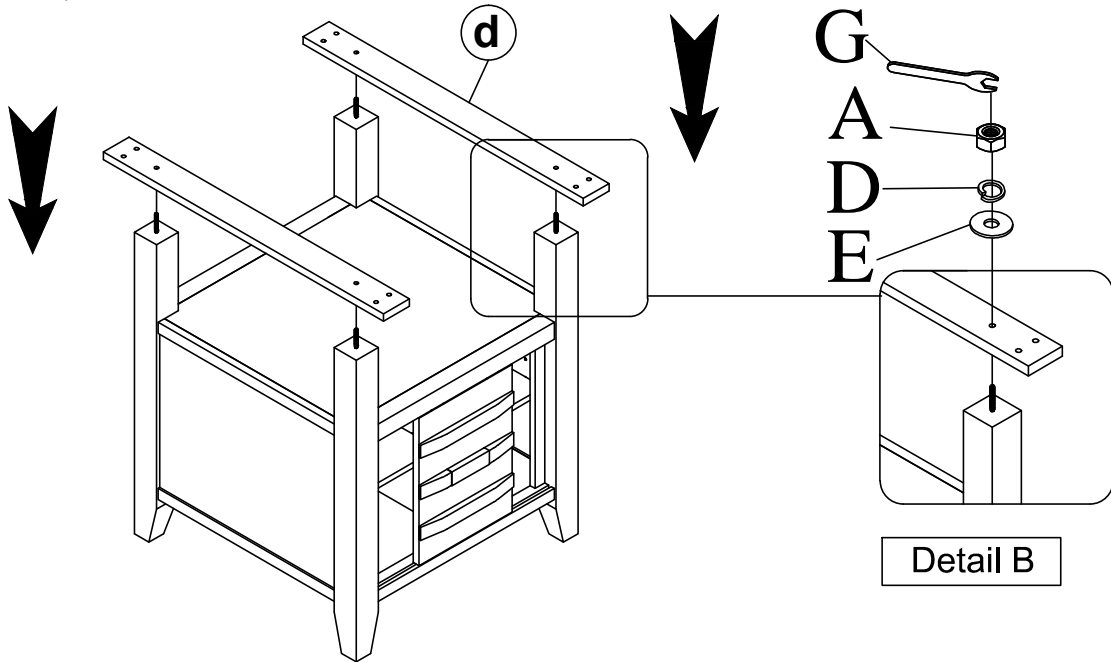
NOTES:

The use of power tools for assembly is not recommended. Power tools can damage hardware or split wood.

**ASSEMBLY INSTRUCTION
PALERMO PUB TABLE**

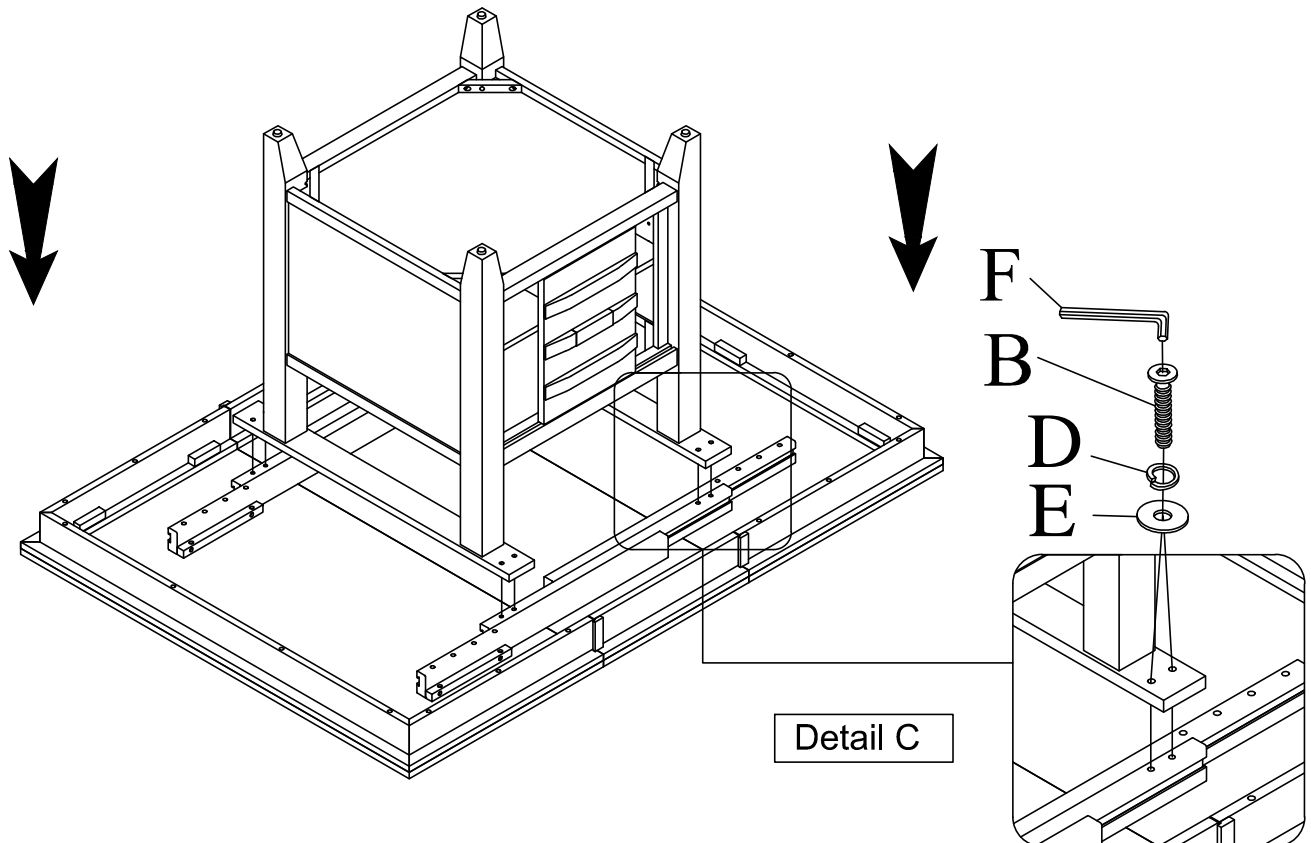
Step 2:

- Place the support bar (d) on the Table base. Insert a Flat Washer (E), Lock Washer (D) and Nut (A) on to the bolts of each support bar. (See Detail B)



Step 3:

- Carefully place the group panel on the Table Top into the open position as show. Insert a Flat Washer (E), Lock Washer (D) and Bolt (B) on to the bolts of each. (See Detail C)



NOTES:

The use of power tools for assembly is not recommended. Power tools can damage hardware or split wood.