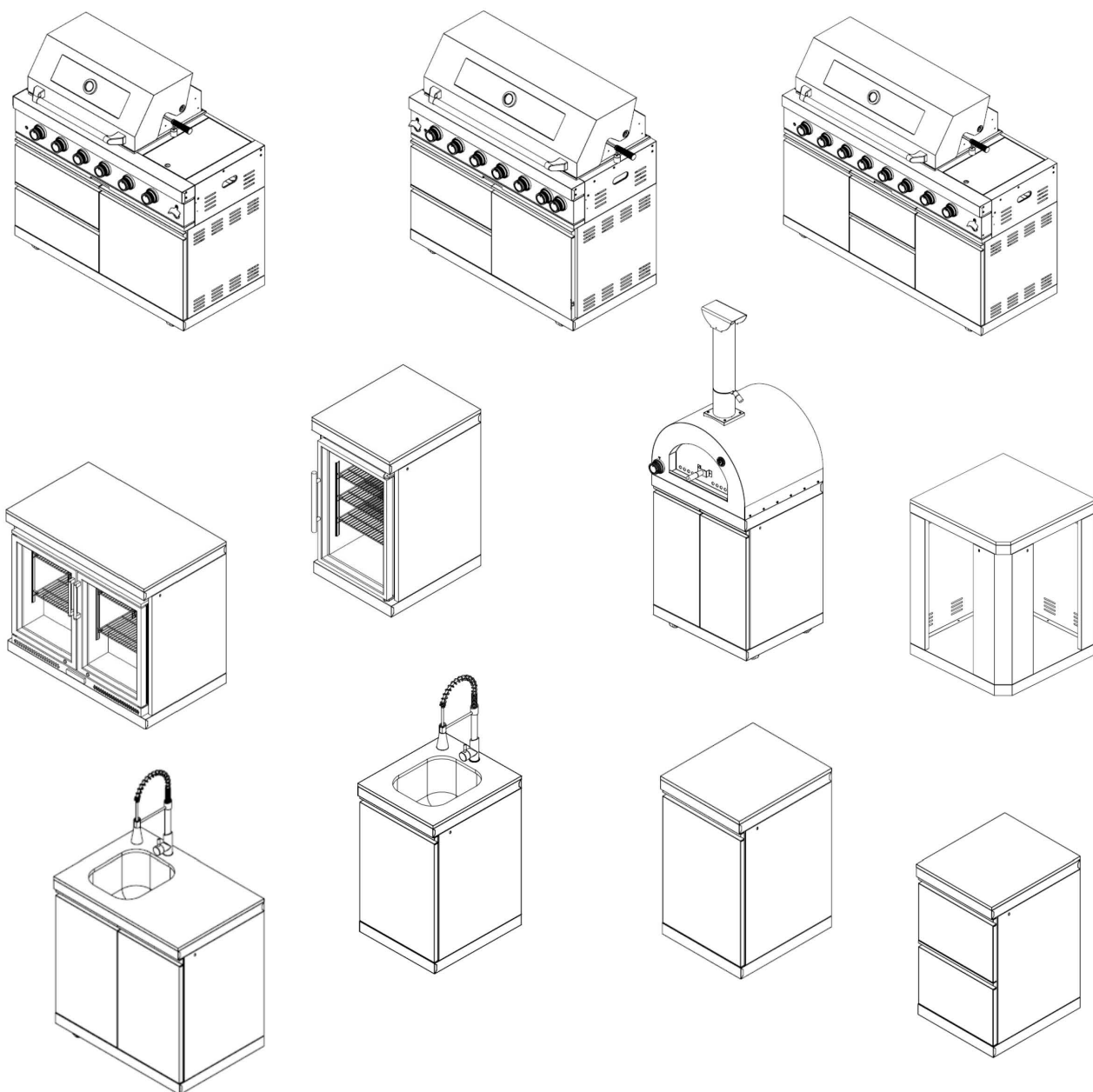

OUTDOOR KITCHEN CABINETS INSTRUCTION

For Modular Kitchens



For Outdoor Use

MODELS FOR REFERENCE ONLY

Please refer to the diagrams for the regular kitchen configuration.

After-Sales Email: RobertoColon0@outlook.com
cs@exbriteusa.com
Daytime phone number: (302)336-8180

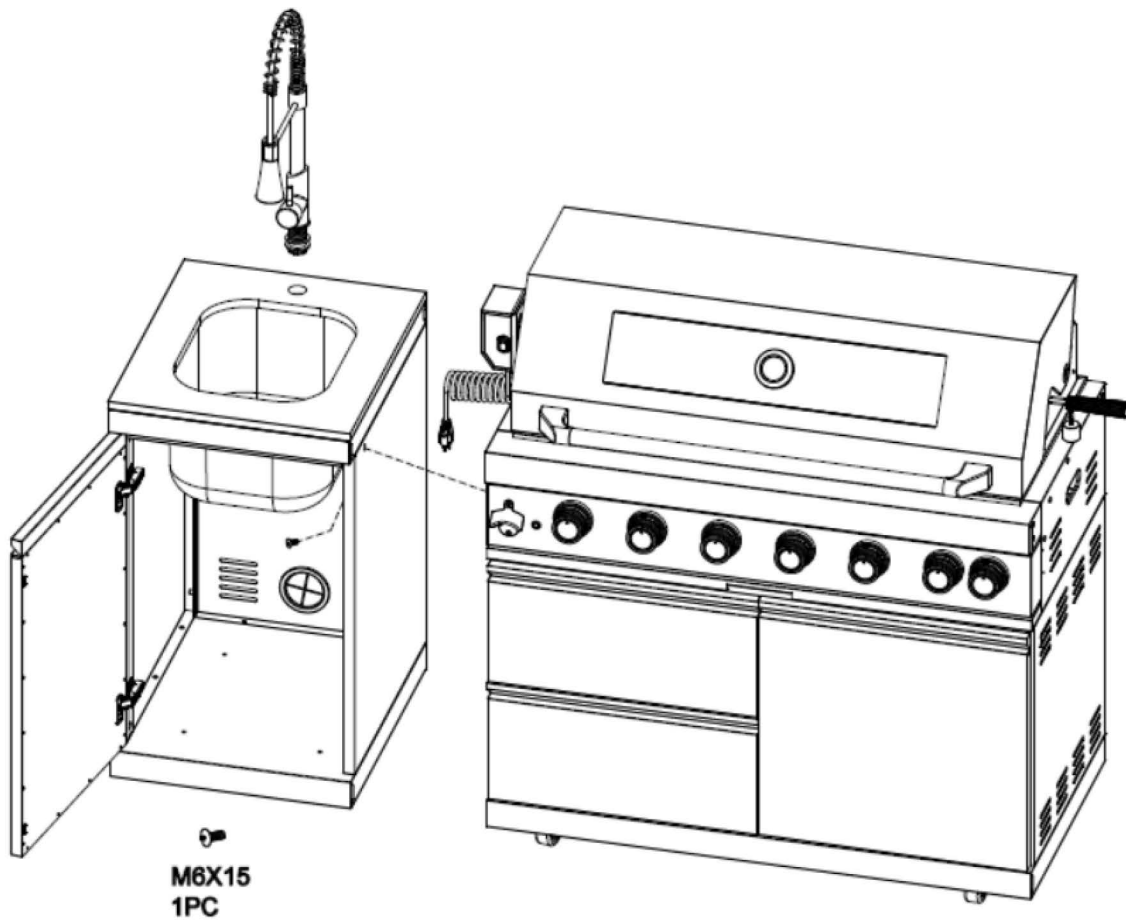
TOOLS REQUIRED: Standard Philips-head screw driver.



IMPORTANT: Please remove all packaging material before assembling.
Ensure no packaging material is left inside the firebox before lighting the grill/burners.

CONVENIENT CONNECTING

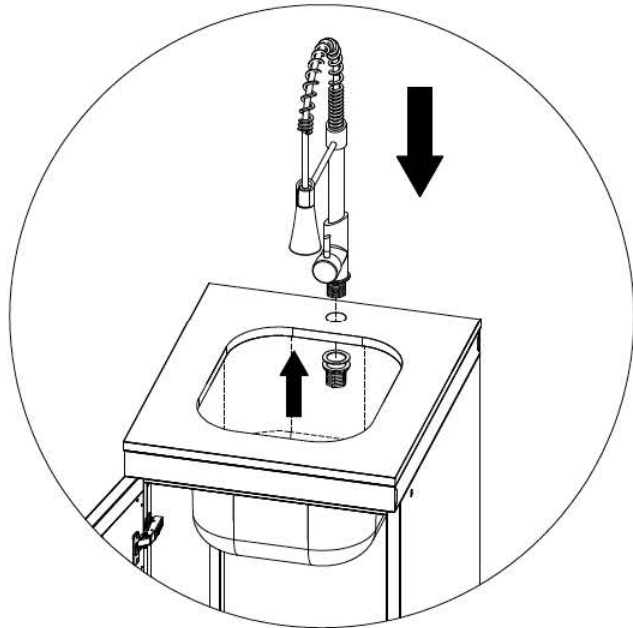
1. How to connect cabinet to grill cabinet from front?



2. Installing faucet

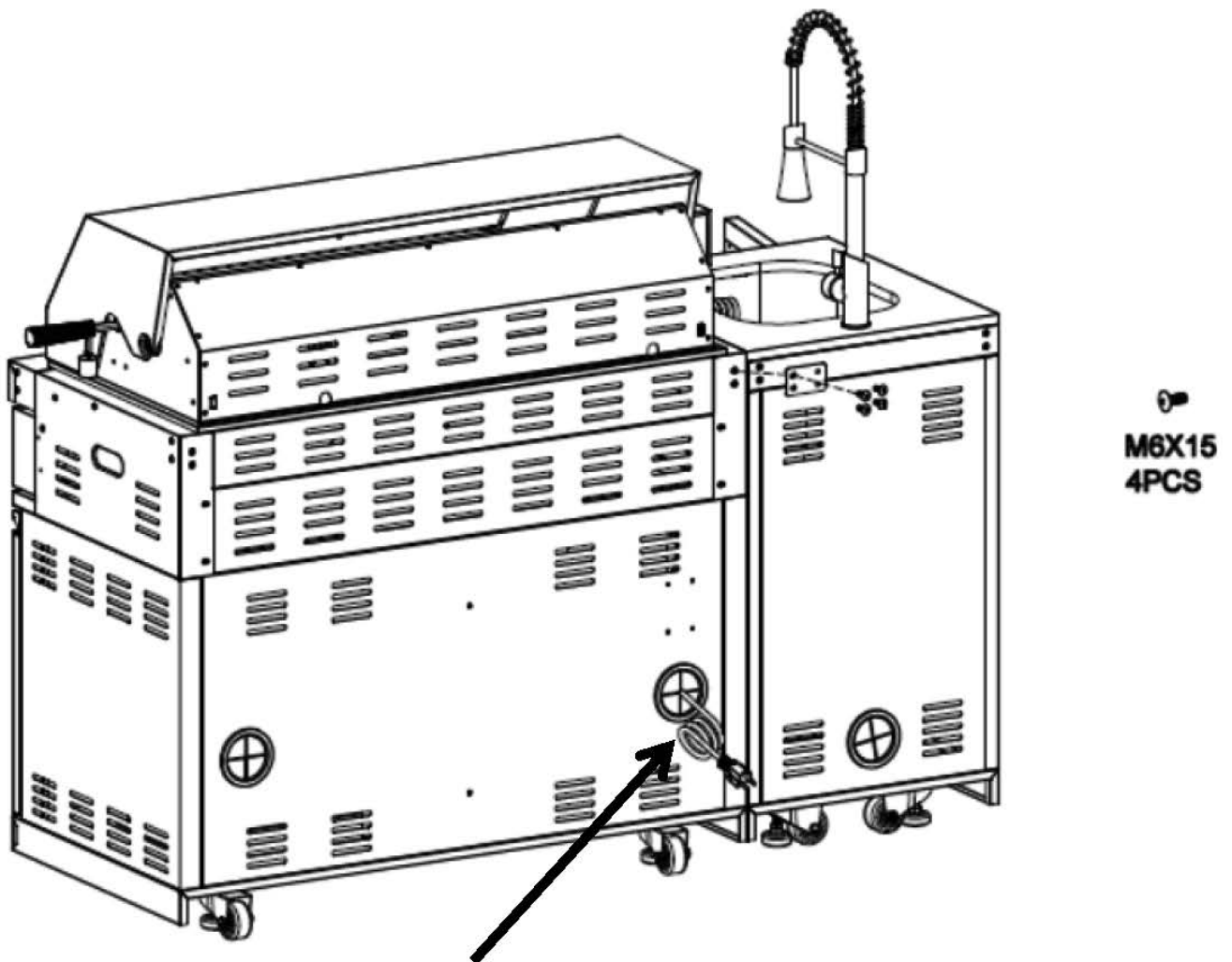
1pc washer above the countertop,
and 1pc soft washer underneath the
countertop.

(Please read the instruction manual
in the faucet box)



3. How to connect cabinet to grill cabinet from back side of the kitchen?

Use the stainless steel bracket and hardware in the accessories package.



Cut the rubber cover, and pull the power cord out of the cabinet.

