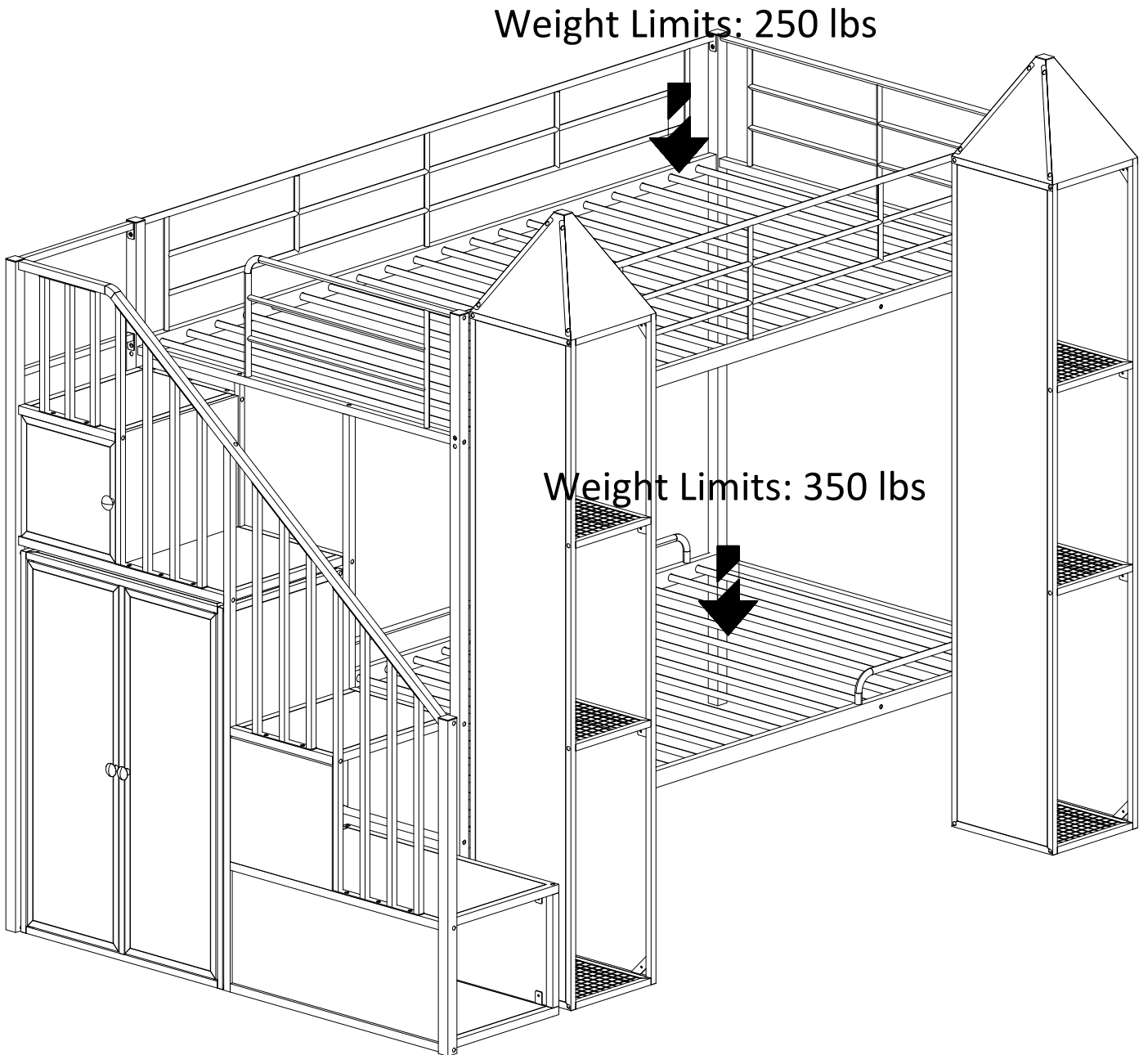


ASSEMBLY INSTRUCTIONS





SAFETY WARNING



1. This bed is designed for use only mattress (es) meeting the following specifications on the upper bed, and lower bed:

Lower bed

Bed type	Length	Width	Thickness
Twin Standard	74" - 75"	38 ½"	8"

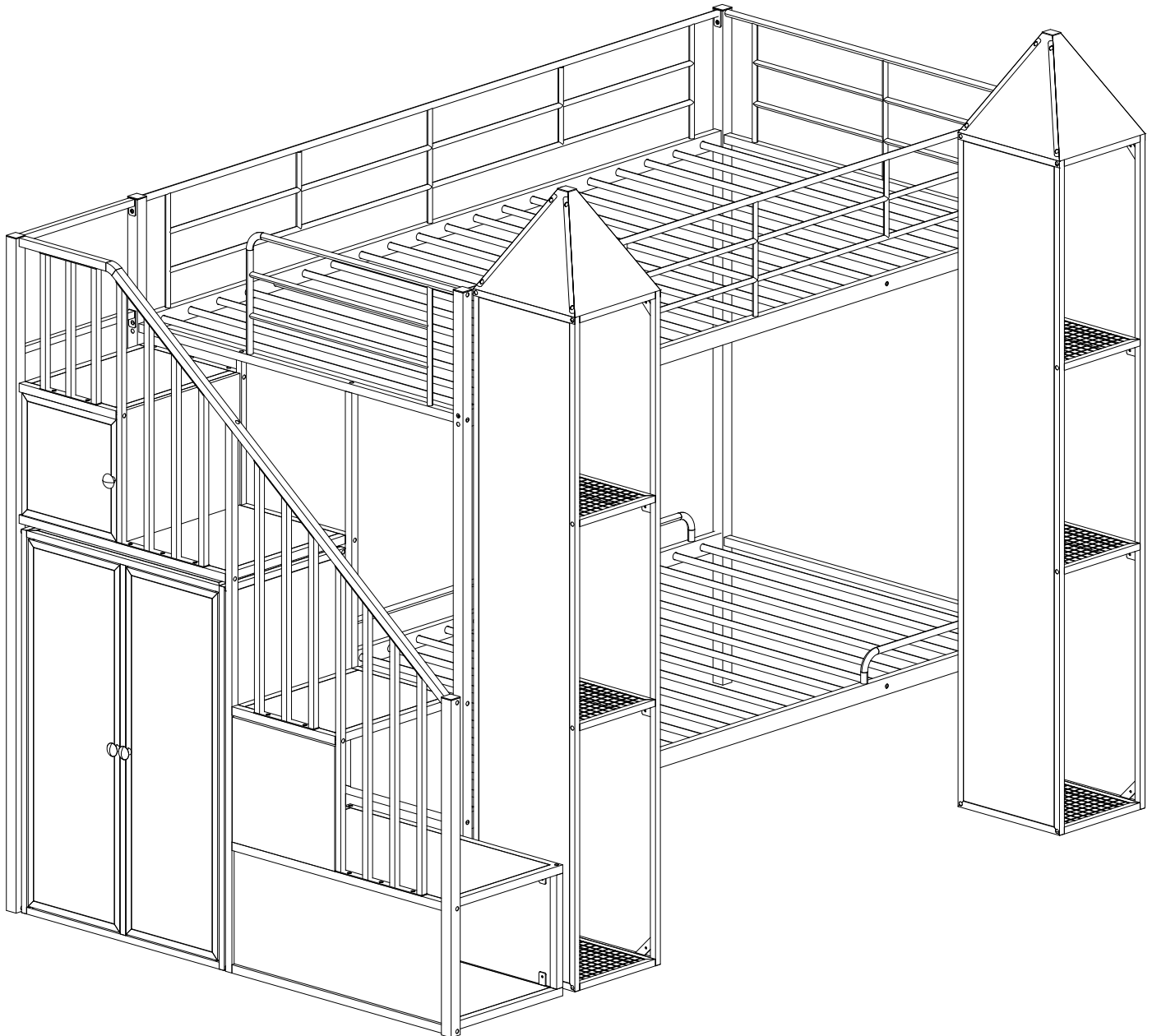
Upper bed

Bed type	Length	Width	Thickness
Twin Standard	74" - 75"	38 ½"	6"

2. Replacement parts, including additional guardrails, maybe obtained from any of our (GIGACLOUD TECHNOLOGY (USA) INC. 18961 ARENTH AVENUE CITY OF INDUSTRY, CA, 91748) dealers
3. Follow the information on the warnings appearing on the upper bunk bed end structure and on the carton. Do not remove warning label from bed.
4. Always use the recommended size mattresses or mattress supports, or both, to help prevent the likelihood of entrapment or falls.
5. Surface of mattress must be at least 5" (127mm) below the upper edge of guardrails.
6. Do not allow children under 6 years of age to use the upper bunk.
7. Periodically check and ensure that the guardrail, ladder, and other components are in their proper position, free from damage, and that all connectors are tight.
8. Do not allow horseplay on or under the bed and prohibit jumping on the bed.
9. Always use the ladder for entering and leaving the upper bunk.
10. Do not use substitute part. Contact the manufacture or dealer for replacement part.
11. Use of a night light may provide added safety precaution for a child using the upper bunk.
12. Always use guardrails on both long sides of the upper bunk. If the bunk bed will be placed next to the wall, the guardrail that runs the full length of the bed should be placed against the wall to prevent entrapment between the bed and wall.
13. The use of water or sleep flotation mattresses is prohibited.
14. STRANGULATION HAZARD - Never attach or hang items to any part of the bunk bed that are not designed for use with the bed; for example, but not limited to, hook, belts and jump ropes.
15. Keep these instruction for future reference.
16. Prohibit more than one person on upper bunk
17. We recommend assembling your bunk bed on the shipping carton to protect your floor or carpet.
18. Be certain all staples are out of the box before beginning assembly on the shipping carton.

ASSEMBLY INSTRUCTIONS

BUNK BED WITH SHELF



Thank you for purchasing this quality product. Be sure to check all packing material carefully for small parts which may have come loose inside the carton during shipment. Separate, identify and count all parts and hardware.

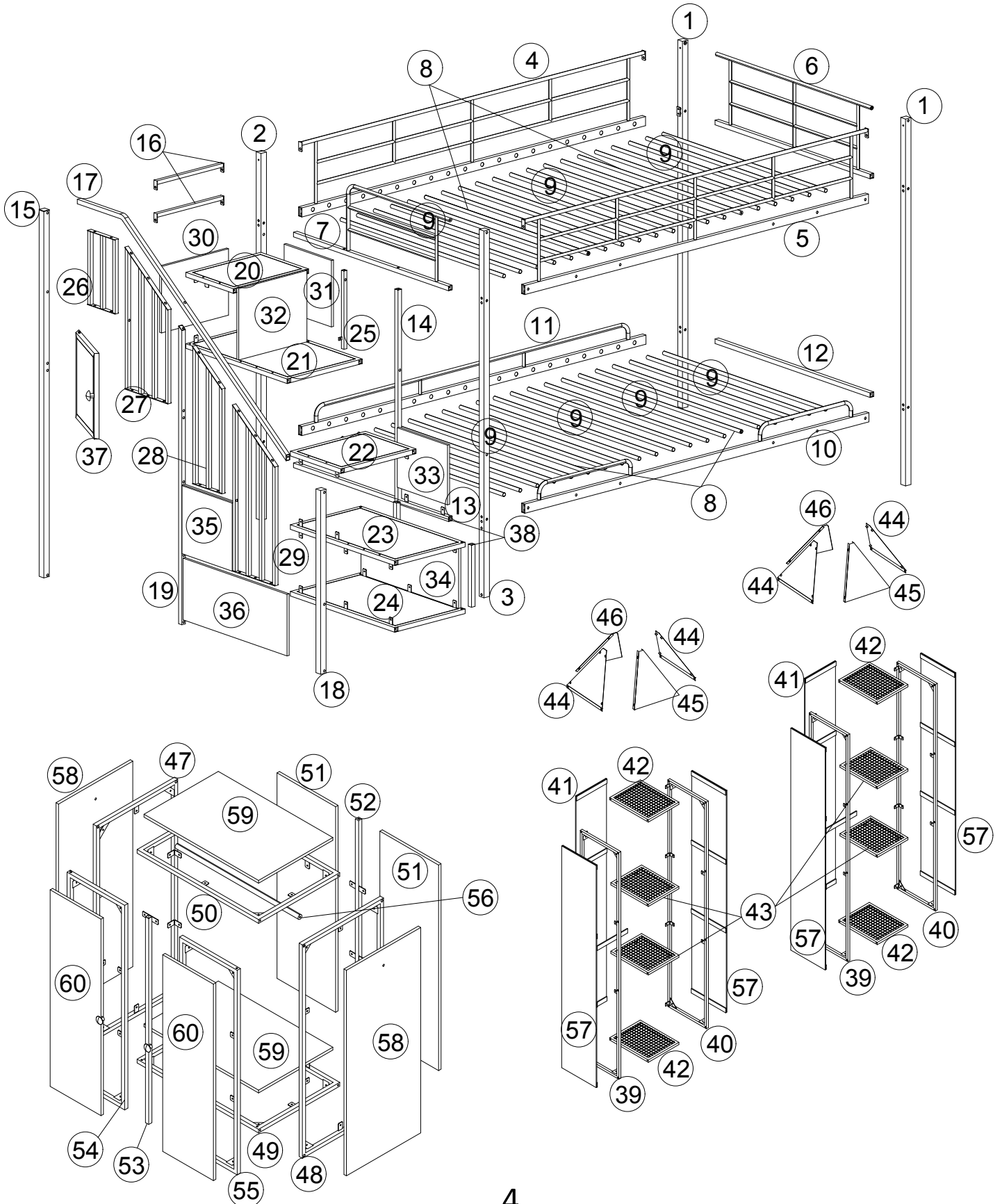
Compare with the parts list to be sure all parts are present.

"DO NOT TIGHTEN SCREWS UNTIL COMPLETELY ASSEMBLED"




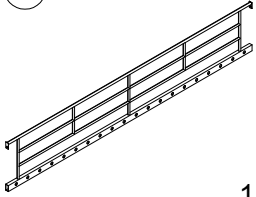
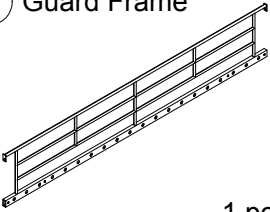
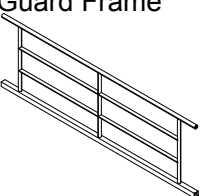
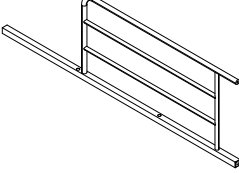
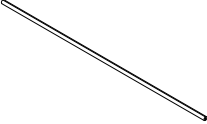
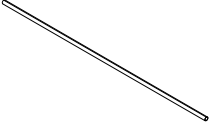
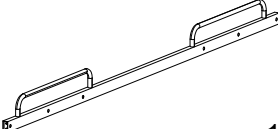
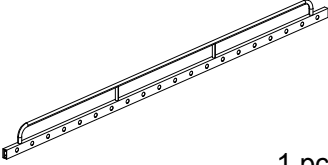




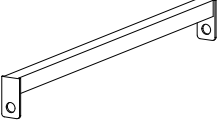
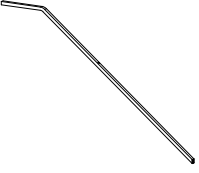



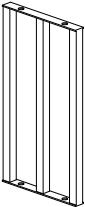
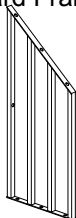
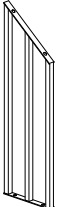
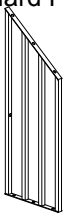




Detail View

BUNK BED WITH SHELF




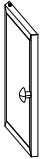

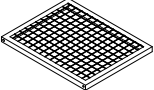
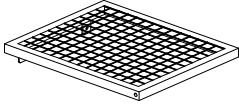
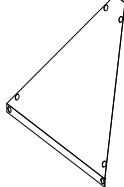


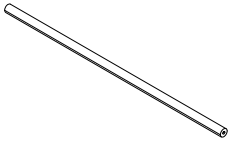
IMPORTANT:
PLEASE READ INSTRUCTION BEFORE STARTING THE ASSEMBLY



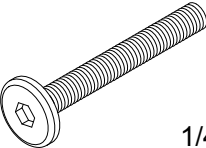
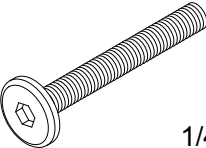
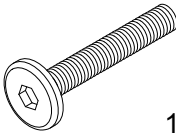
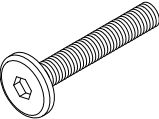
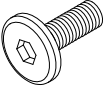
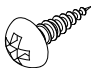
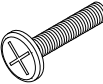

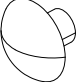
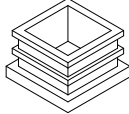
PART LIST

<p>① Vertical bar</p>  <p>2 pcs</p>	<p>② Vertical bar</p>  <p>1 pc</p>	<p>③ Vertical bar</p>  <p>1 pc</p>	<p>④ Guard Frame</p>  <p>1 pc</p>
<p>⑤ Guard Frame</p>  <p>1 pc</p>	<p>⑥ Guard Frame</p>  <p>1 pc</p>	<p>⑦ Guard Frame</p>  <p>1 pc</p>	<p>⑧ Slats</p>  <p>4 pcs</p>
<p>⑨ Slats</p>  <p>36 pcs</p>	<p>⑩ Guard Frame</p>  <p>1 pc</p>	<p>⑪ Guard Frame</p>  <p>1 pc</p>	<p>⑫ Horizontal bar</p>  <p>1 pc</p>
<p>⑬ Horizontal bar</p>  <p>1 pc</p>	<p>⑭ Vertical bar</p>  <p>1 pc</p>	<p>⑮ Vertical bar</p>  <p>1 pc</p>	<p>⑯ Horizontal bar</p>  <p>2 pcs</p>
<p>⑰ Vertical bar</p>  <p>1 pc</p>	<p>⑱ Vertical bar</p>  <p>1 pc</p>	<p>⑲ Vertical bar</p>  <p>1 pc</p>	<p>⑳ Vertical bar</p>  <p>1 pc</p>
<p>㉑ Guard Frame</p>  <p>1 pc</p>	<p>㉒ Guard Frame</p>  <p>1 pc</p>	<p>㉓ Guard Frame</p>  <p>1 pc</p>	<p>㉔ Guard Frame</p>  <p>1 pc</p>
<p>㉕ Plank</p>  <p>1 pc</p>	<p>㉖ Plank</p>  <p>1 pc</p>	<p>㉗ Plank</p>  <p>1 pc</p>	<p>㉘ Plank</p>  <p>1 pcs</p>

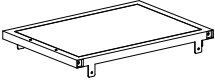
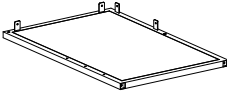
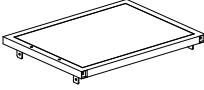
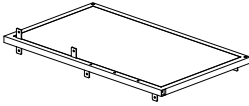
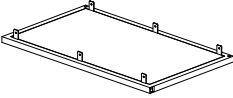


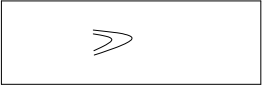
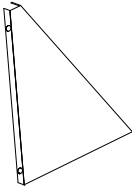
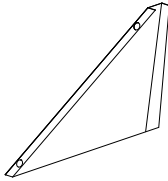

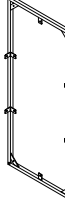
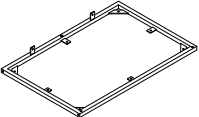
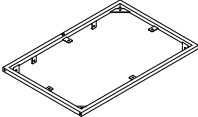

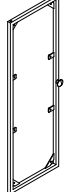
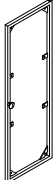
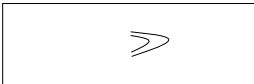

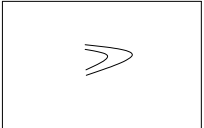

PART LIST

<p>34 Plank</p>  <p style="text-align: right;">1 pc</p>	<p>35 Plank</p>  <p style="text-align: right;">1 pc</p>	<p>36 Plank</p>  <p style="text-align: right;">1 pc</p>	<p>37 Cabinet Door</p>  <p style="text-align: right;">1 pc</p>
<p>38 Vertical bar</p>  <p style="text-align: right;">2 pcs</p>	<p>42 Shelf Frame</p>  <p style="text-align: right;">4 pcs</p>	<p>43 Shelf Frame</p>  <p style="text-align: right;">4 pcs</p>	<p>44 Roof Shelf Frame</p>  <p style="text-align: right;">2 pcs</p>
<p>52 Vertical bar</p>  <p style="text-align: right;">1 pc</p>	<p>53 Vertical bar</p>  <p style="text-align: right;">1 pc</p>	<p>56 Hanging Bar</p>  <p style="text-align: right;">1 pc</p>	

HARDWARE LIST MF309884

<p>A Bolts</p>  <p style="text-align: right;">1/4*55 2 pcs</p>	<p>B Bolts</p>  <p style="text-align: right;">1/4*50 37 pcs</p>	<p>C Bolts</p>  <p style="text-align: right;">1/4*40 17 pcs</p>	<p>D Bolts</p>  <p style="text-align: right;">1/4*32 44 pcs</p>
<p>E Bolts</p>  <p style="text-align: right;">1/4*18 53 pcs</p>	<p>F Screws</p>  <p style="text-align: right;">#8*10 154 pcs</p>	<p>G Bolts</p>  <p style="text-align: right;">5/32*25 3 pcs</p>	<p>H Allen Key</p>  <p style="text-align: right;">4*59 1 pc</p>
<p>I cabinet knob</p>  <p style="text-align: right;">3 pcs</p>	<p>K Plastic Cap</p>  <p style="text-align: right;">2 pcs</p>		

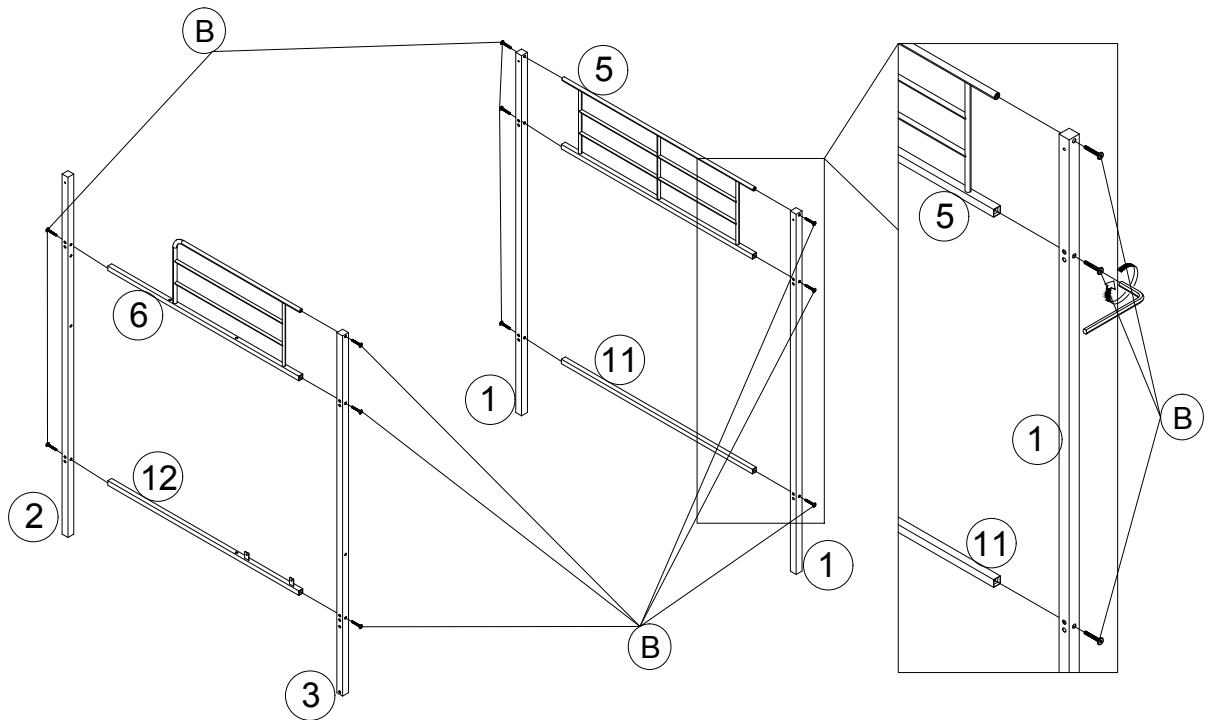
PART LIST

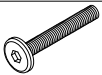
<p>20 Stair Frame</p>  <p>1 pc</p>	<p>21 Stair Frame</p>  <p>1 pc</p>	<p>22 Stair Frame</p>  <p>1 pc</p>	<p>23 Stair Frame</p>  <p>1 pc</p>
<p>24 Stair Frame</p>  <p>1 pc</p>	<p>39 Shelf Frame</p>  <p>2 pcs</p>	<p>40 Shelf Frame</p>  <p>2 pcs</p>	<p>41 Plank</p>  <p>2 pcs</p>
<p>45 Roof Shelf Frame</p>  <p>1 pc</p>	<p>46 Roof Shelf Frame</p>  <p>1 pc</p>	<p>47 Cabinet side</p>  <p>1 pc</p>	<p>48 Cabinet side</p>  <p>1 pc</p>
<p>49 Cabinet Bottom</p>  <p>1 pc</p>	<p>50 Cabinet top</p>  <p>1 pc</p>	<p>51 Plank</p>  <p>2 pcs</p>	<p>54 Cabinet Door</p>  <p>1 pc</p>
<p>55 Cabinet Door</p>  <p>1 pc</p>	<p>57 Plank</p>  <p>4 pcs</p>	<p>58 Plank</p>  <p>2 pcs</p>	<p>59 Plank</p>  <p>2 pcs</p>
<p>60 Plank</p>  <p>2 pcs</p>			

BUNK BED WITH SHELF ASSEMBLY INSTRUCTIONS

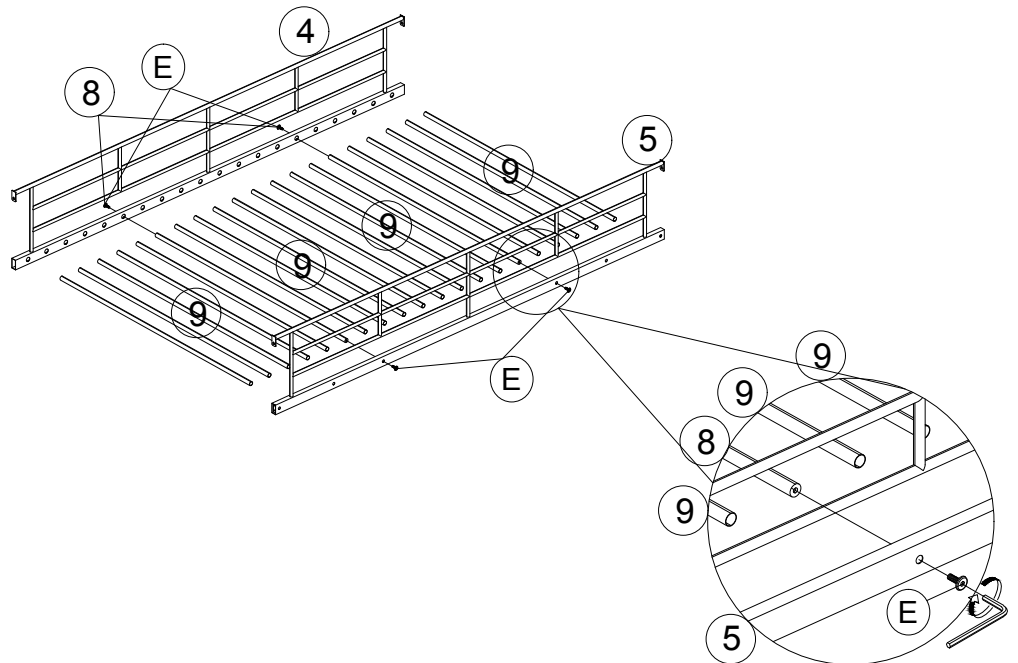
I


STEP 1



B		1/4*50	11 pcs
---	---	--------	--------

STEP 2

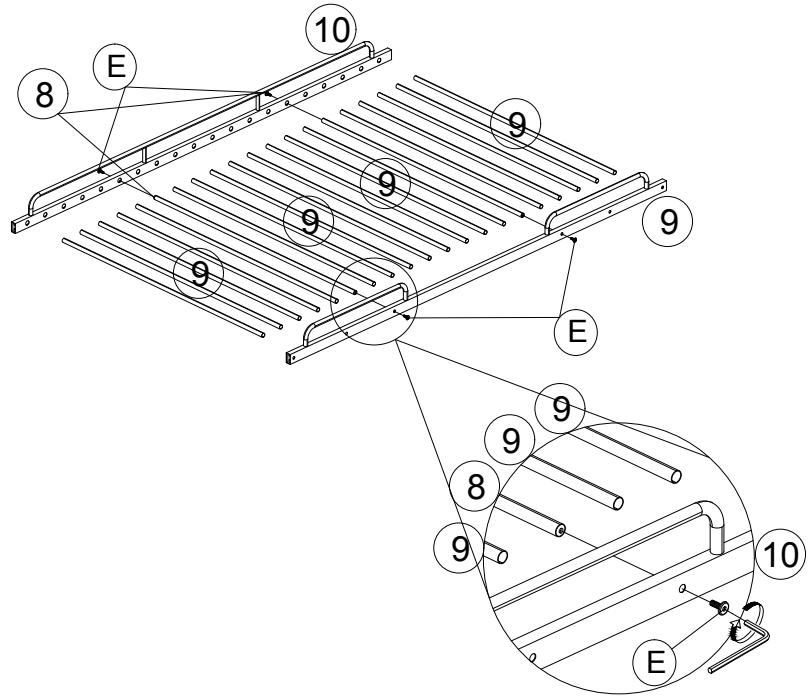



E		1/4*18	4 pcs
---	---	--------	-------

8

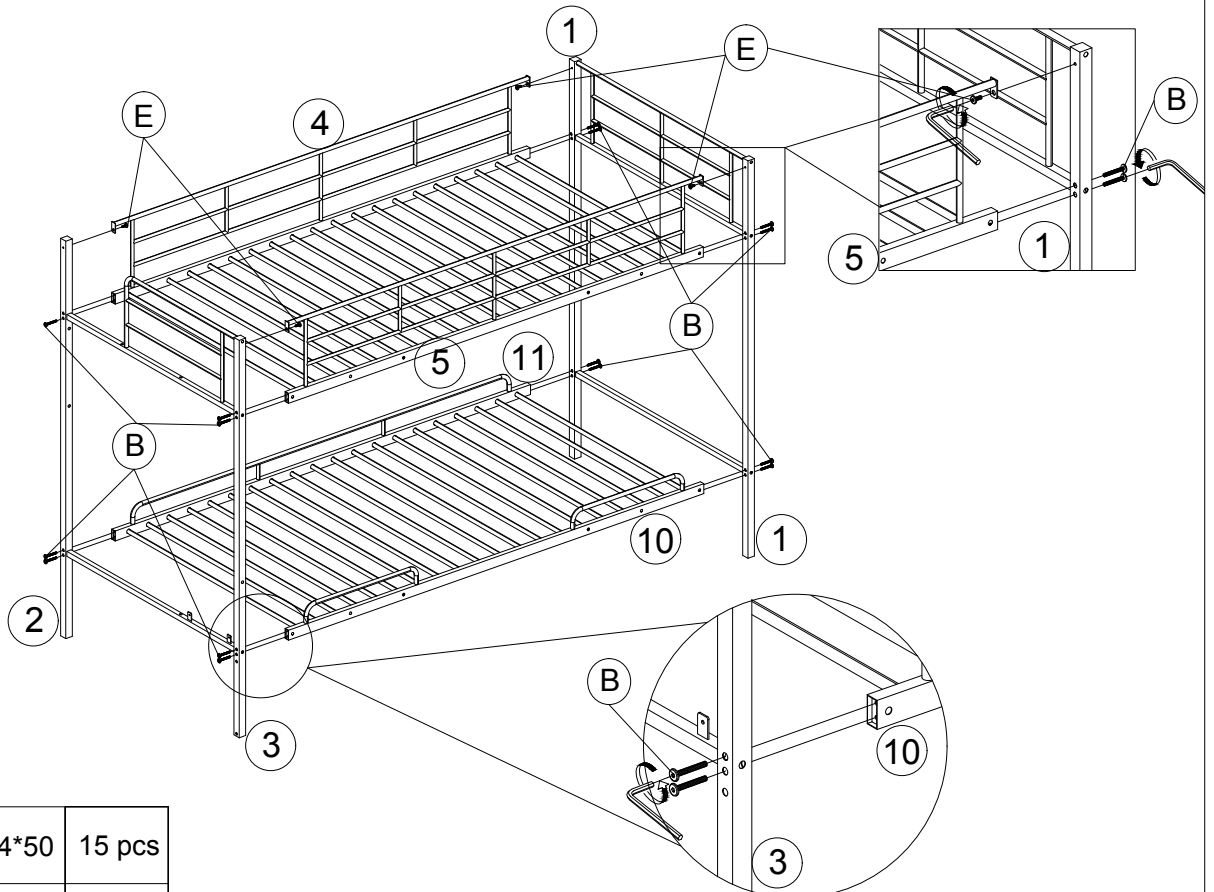
BUNK BED WITH SHELF ASSEMBLY INSTRUCTIONS

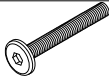

STEP 3



(E)		1/4*18	4 pcs
-----	---	--------	-------

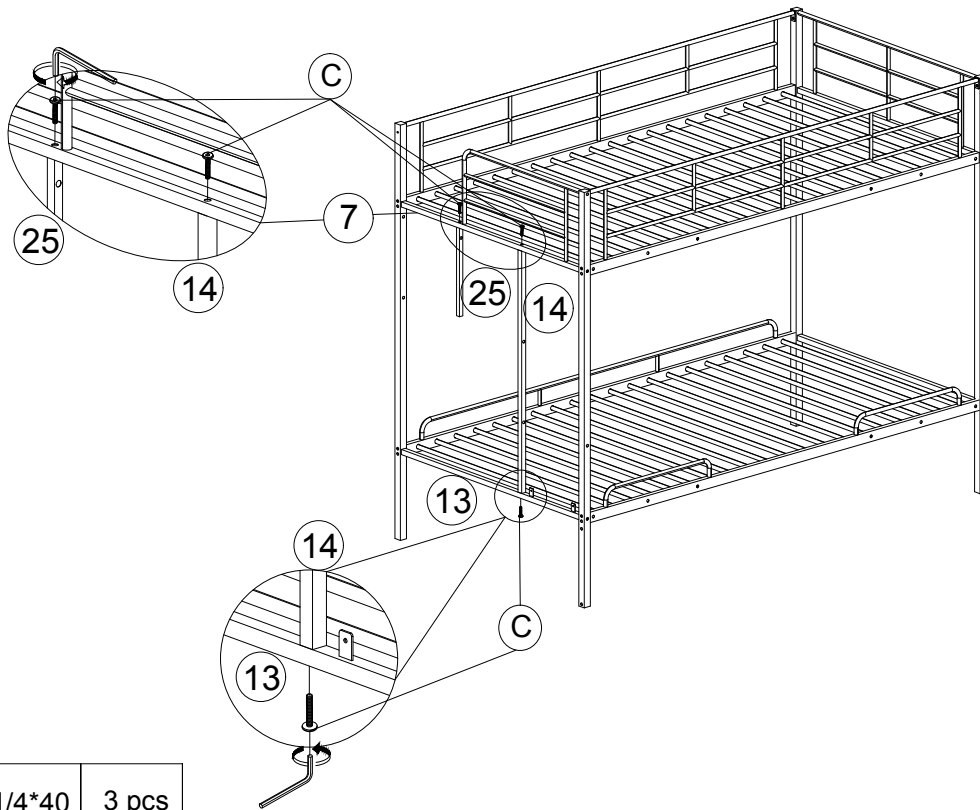
STEP 4



(B)		1/4*50	15 pcs
(E)		1/4*18	4 pcs

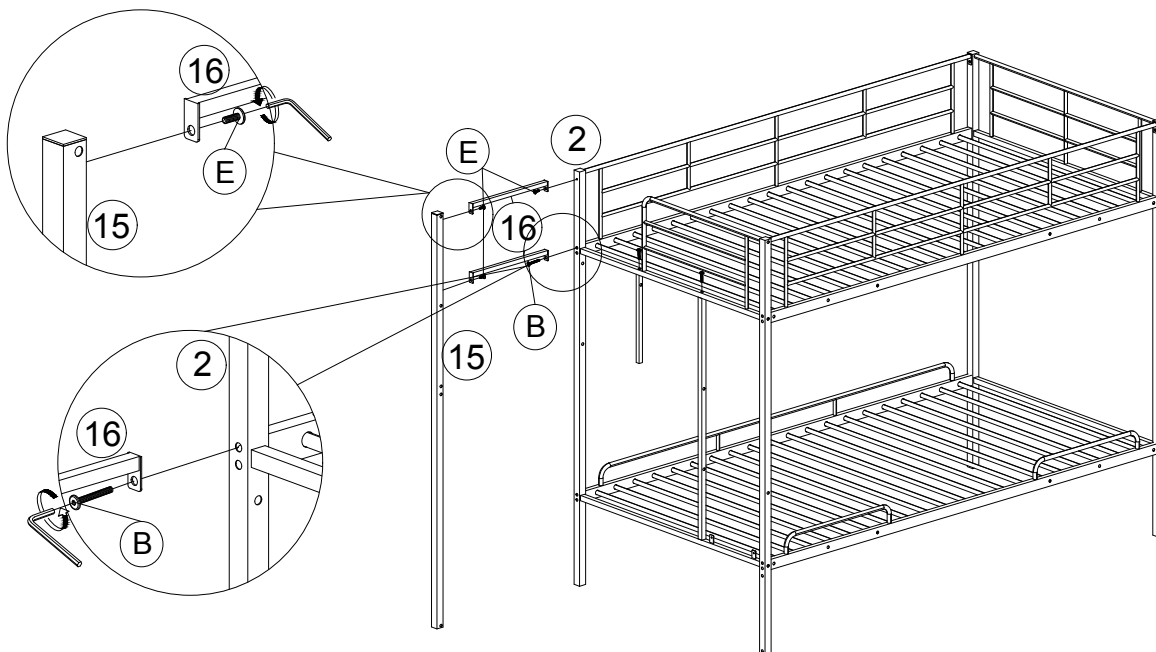
BUNK BED WITH SHELF ASSEMBLY INSTRUCTIONS

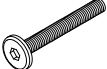

STEP 5



C		1/4*40	3 pcs
---	---	--------	-------

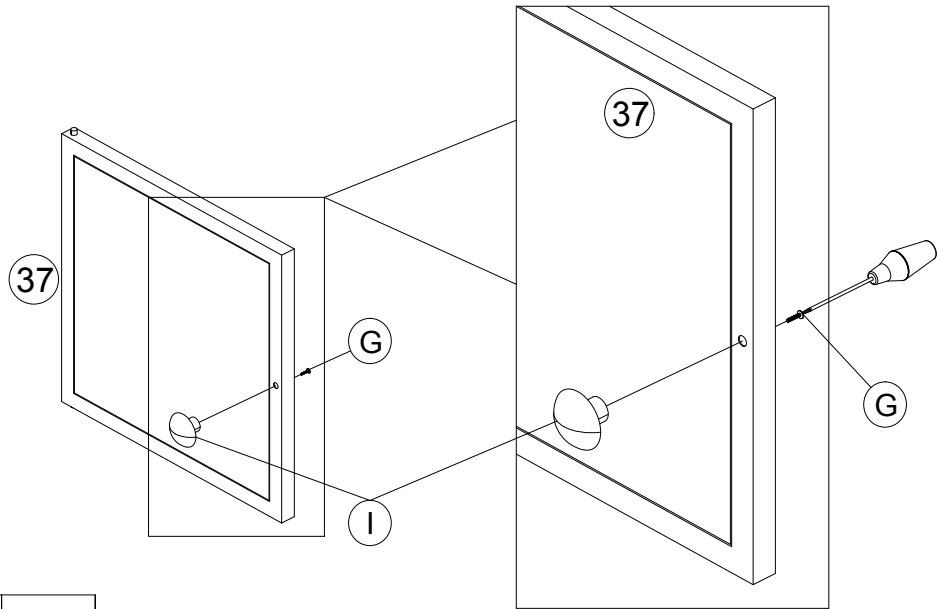
STEP 6





B		1/4*50	1 pc
E		1/4*18	3 pcs

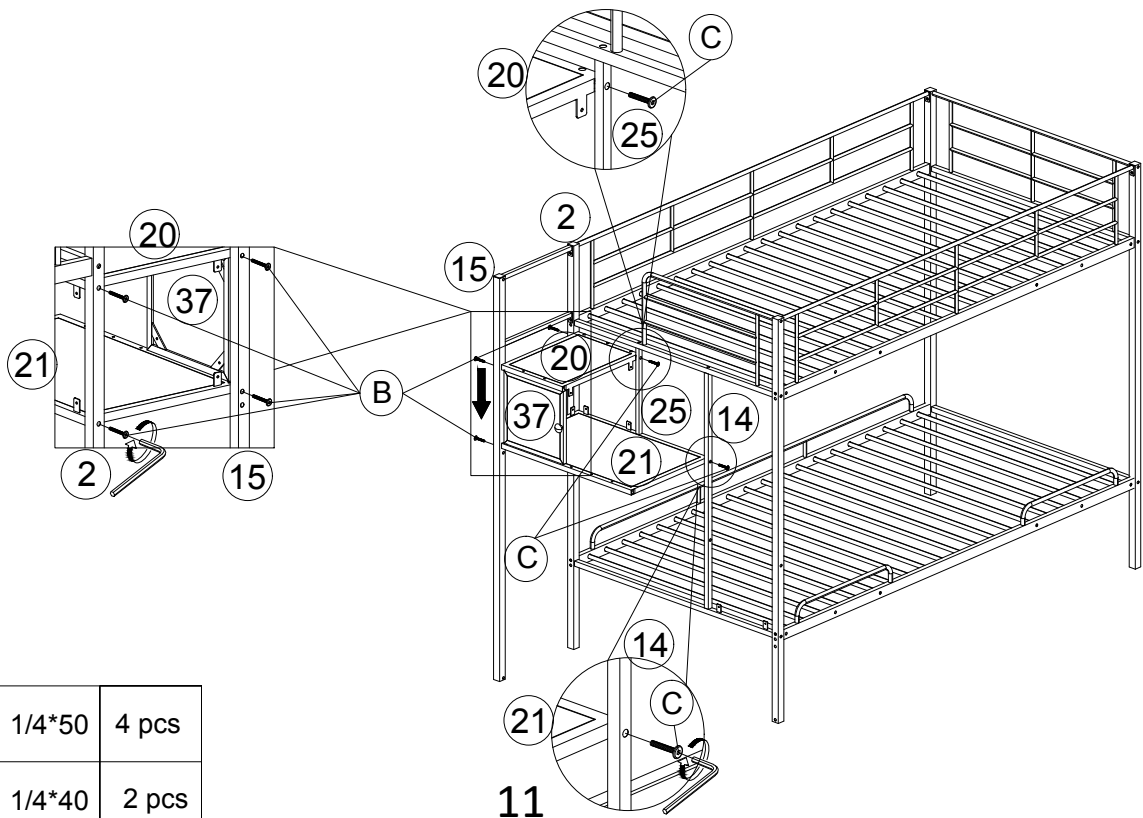
BUNK BED WITH SHELF ASSEMBLY INSTRUCTIONS

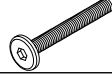

STEP 7



(G)		5/32*25	1 pc
(I)		cabinet knob	1 pc

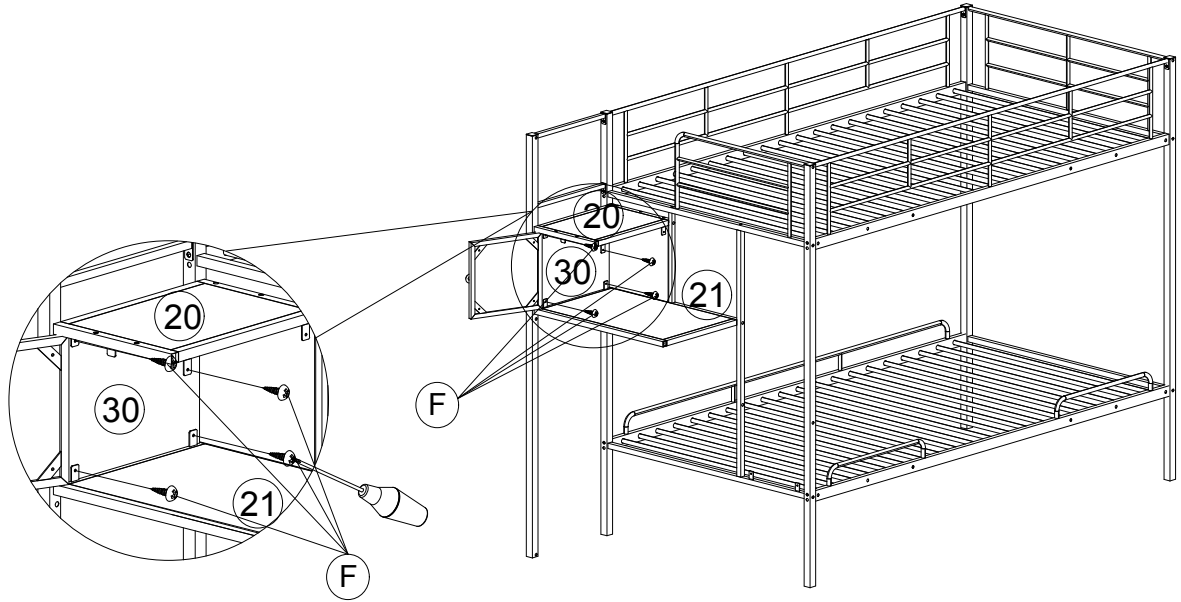
STEP 8




(B)		1/4*50	4 pcs
(C)		1/4*40	2 pcs

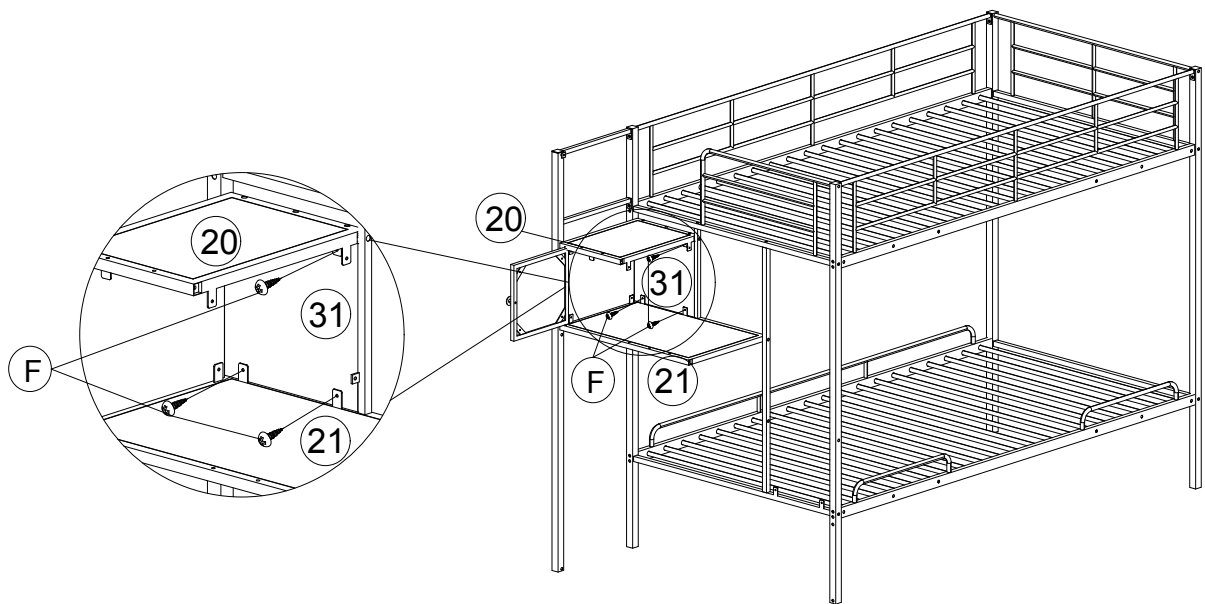
BUNK BED WITH SHELF ASSEMBLY INSTRUCTIONS


STEP 9



(F)		#8*10	4 pcs
-----	---	-------	-------

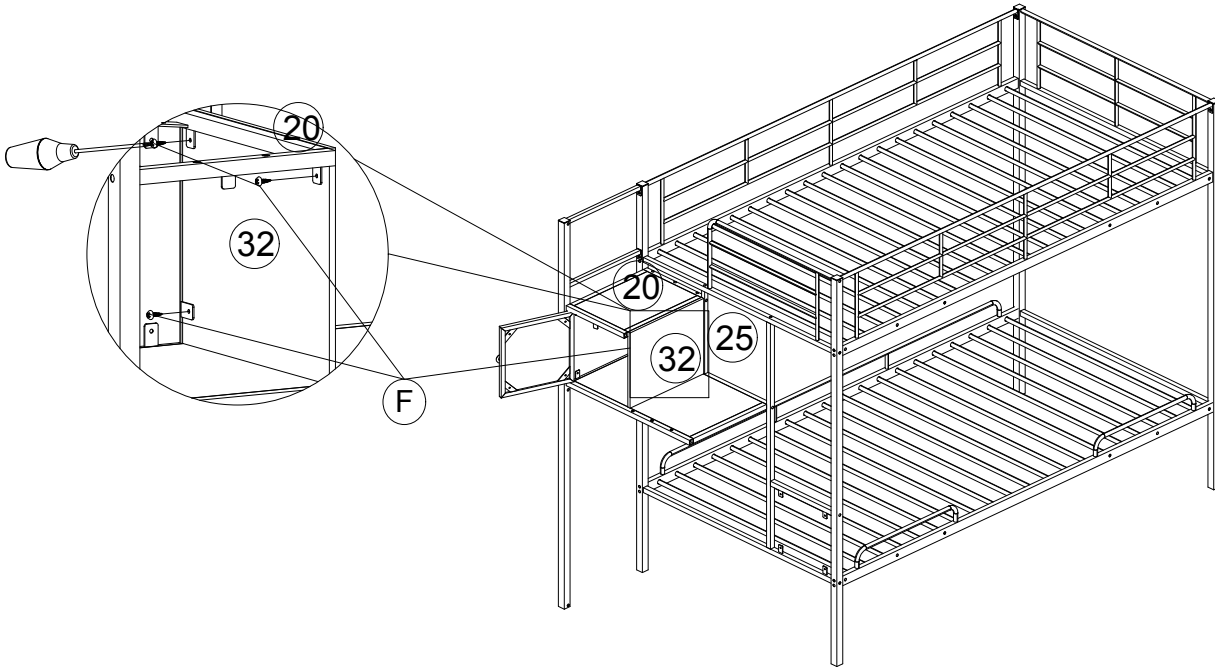
STEP 10




(F)		#8*10	4 pcs
-----	---	-------	-------

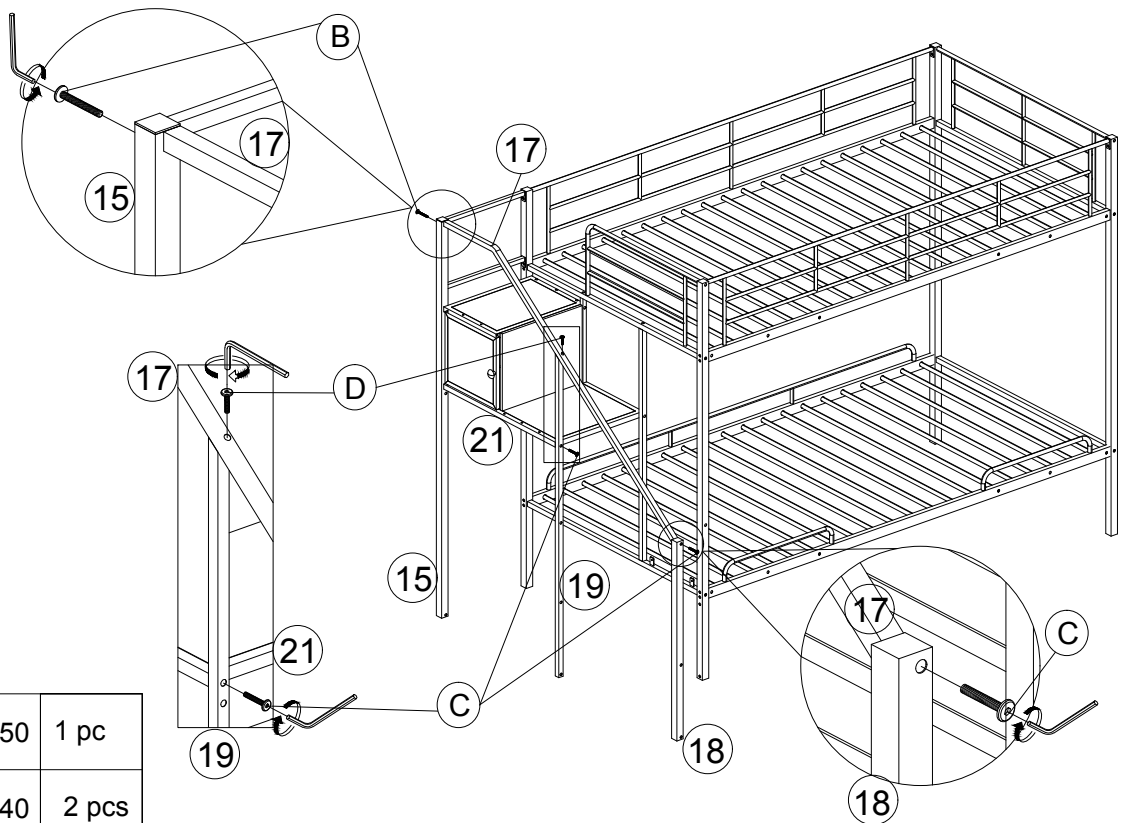
BUNK BED WITH SHELF ASSEMBLY INSTRUCTIONS

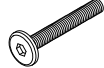


STEP 11



(F)		#8*10	3pcs
-----	---	-------	------

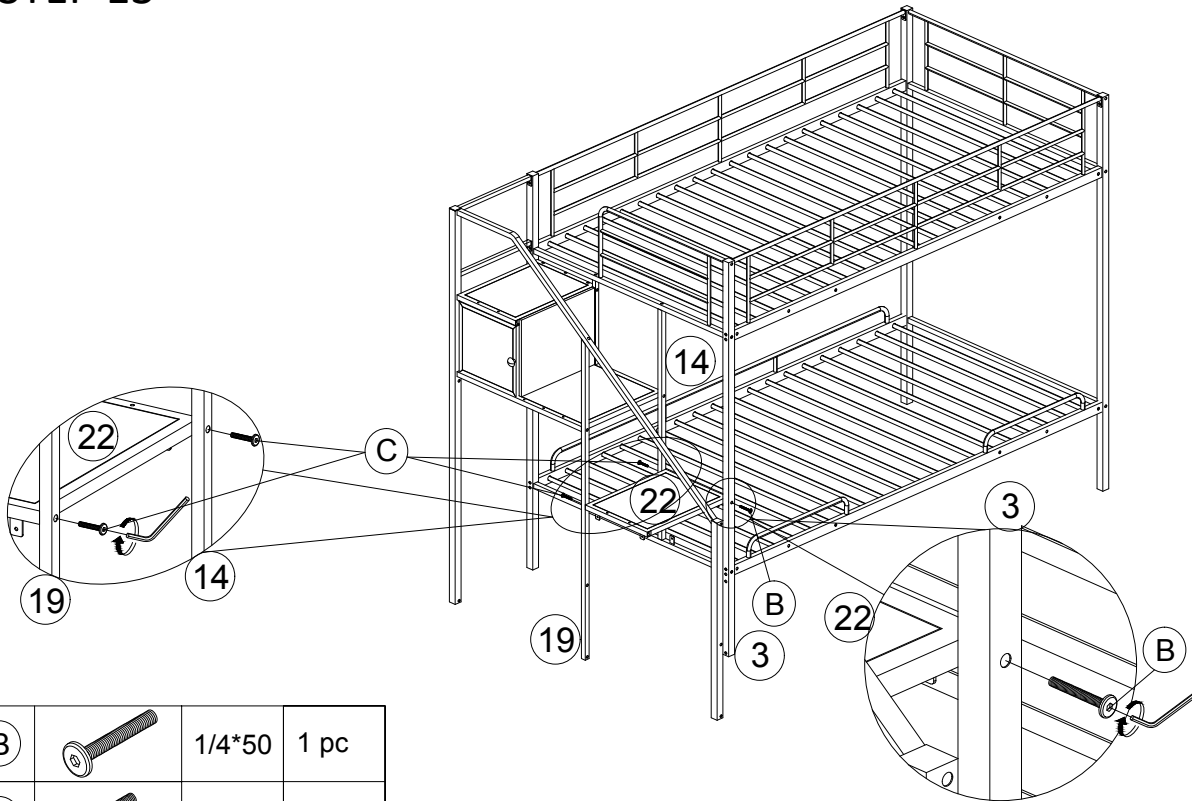
STEP 12

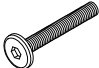



(B)		1/4*50	1 pc
(C)		1/4*40	2 pcs
(D)		1/4*32	1 pc

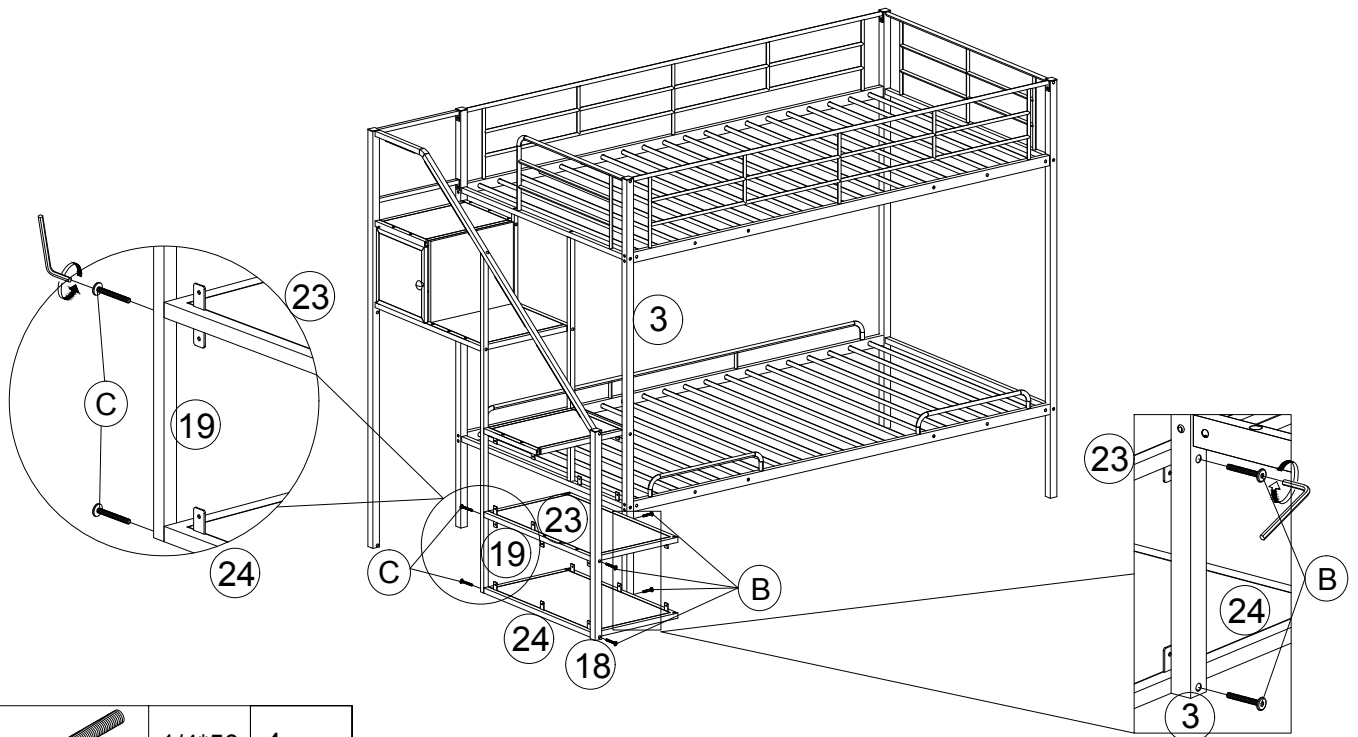
BUNK BED WITH SHELF ASSEMBLY INSTRUCTIONS

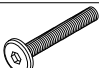

STEP 13



(B)		1/4*50	1 pc
(C)		1/4*40	2 pcs

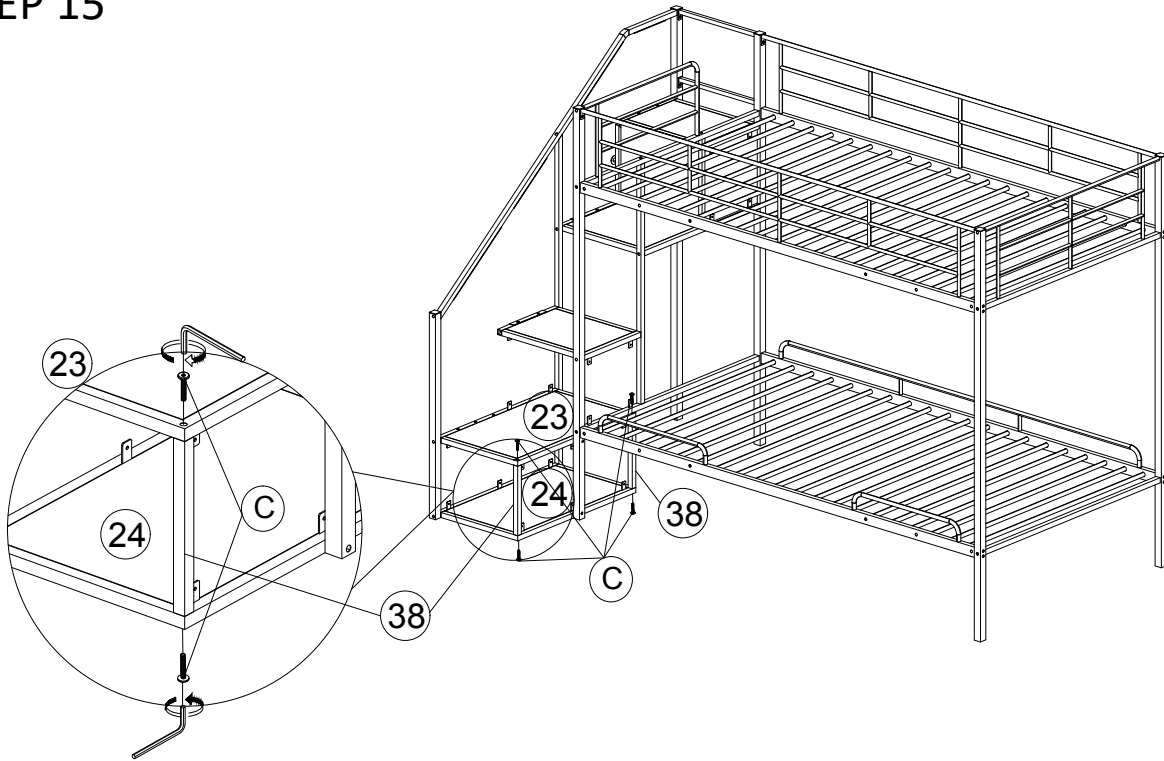
STEP 14



(B)		1/4*50	4 pcs
(C)		1/4*40	2 pcs

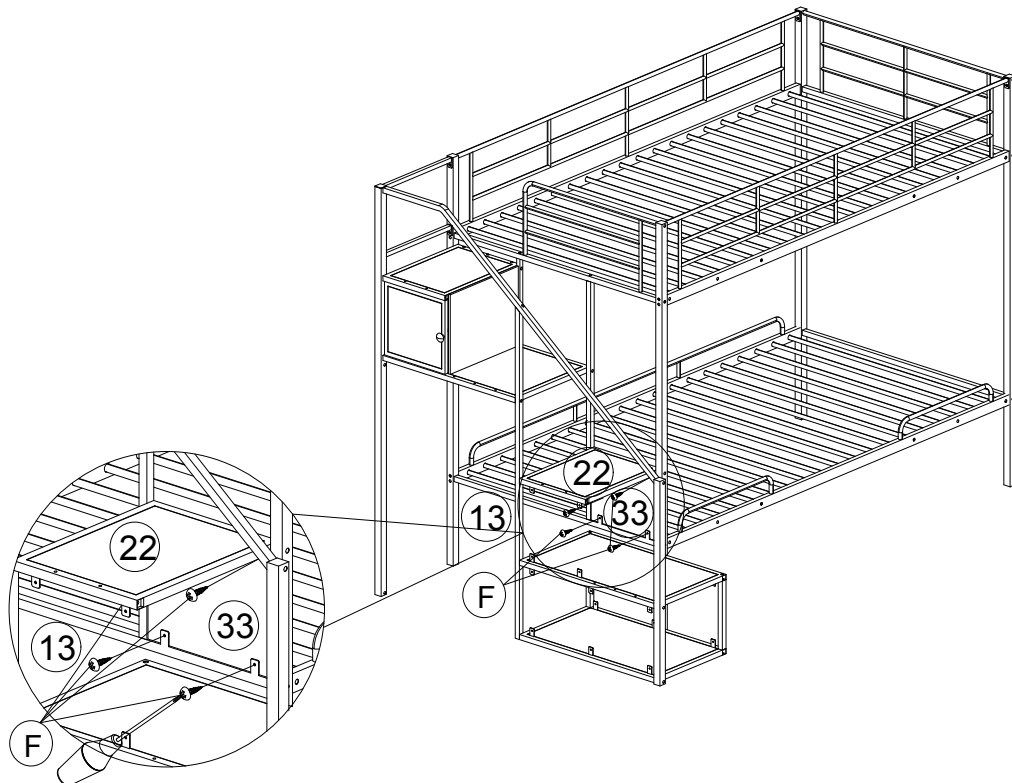
BUNK BED WITH SHELF ASSEMBLY INSTRUCTIONS

STEP 15



C		1/4*40	4 pcs
---	---	--------	-------

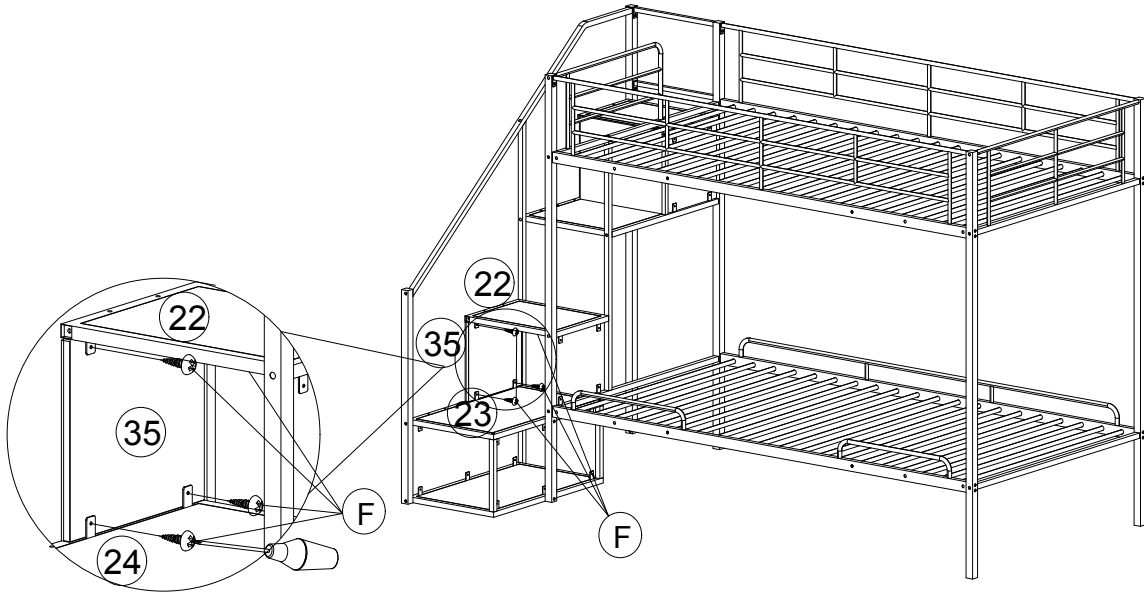
STEP 16




F		#8*10	4 pcs
---	---	-------	-------

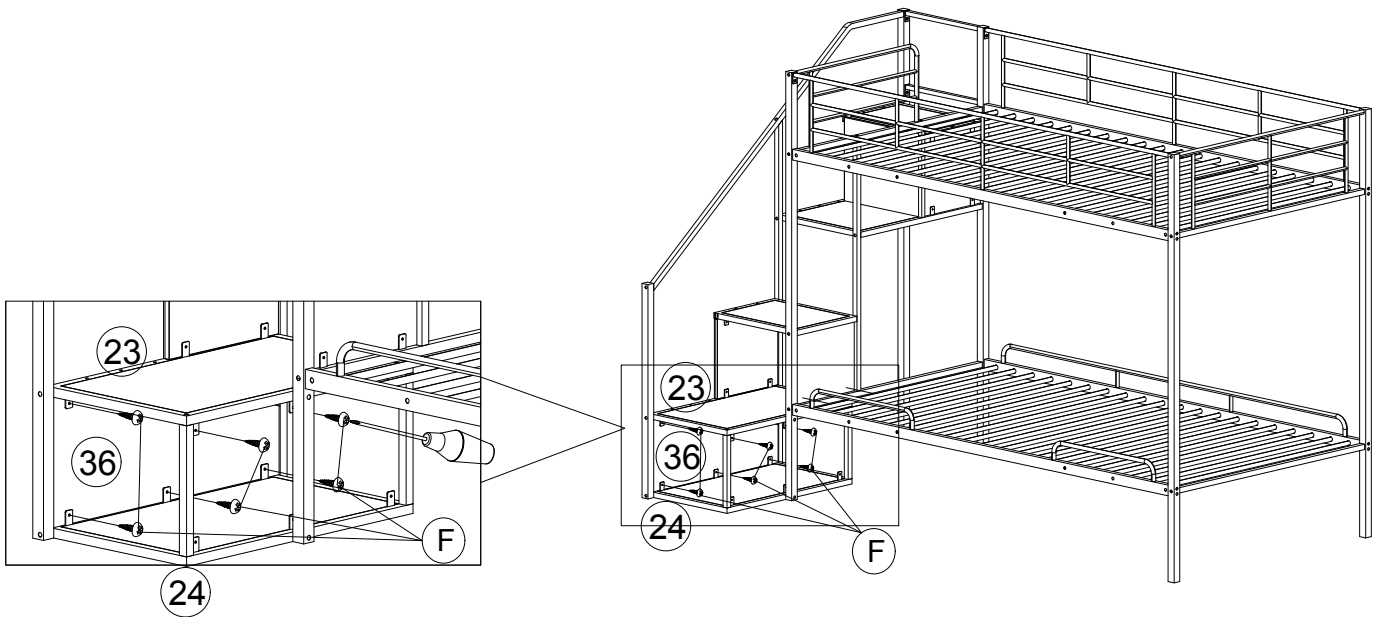
BUNK BED WITH SHELF ASSEMBLY INSTRUCTIONS


STEP 17



(F)		#8*10	4 pcs
-----	---	-------	-------

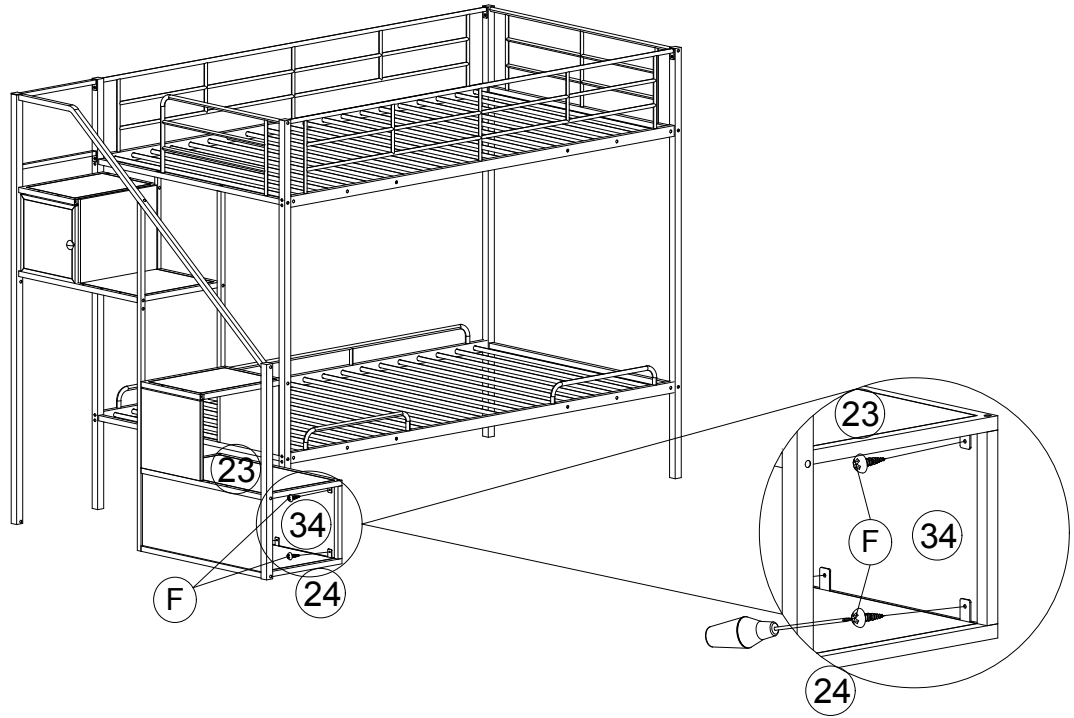
STEP 18




(F)		#8*10	6 pcs
-----	---	-------	-------

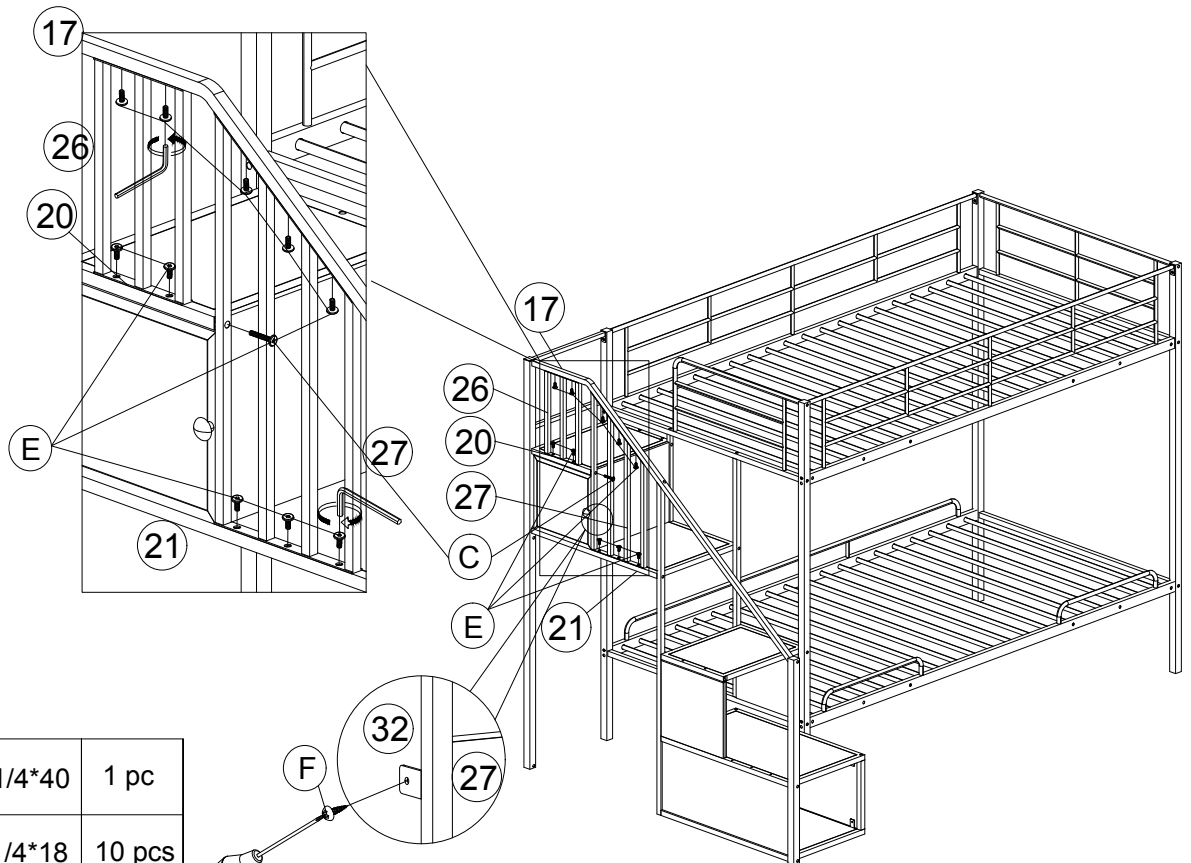
BUNK BED WITH SHELF ASSEMBLY INSTRUCTIONS




STEP 19



(F)		#8*10	6 pcs
-----	---	-------	-------

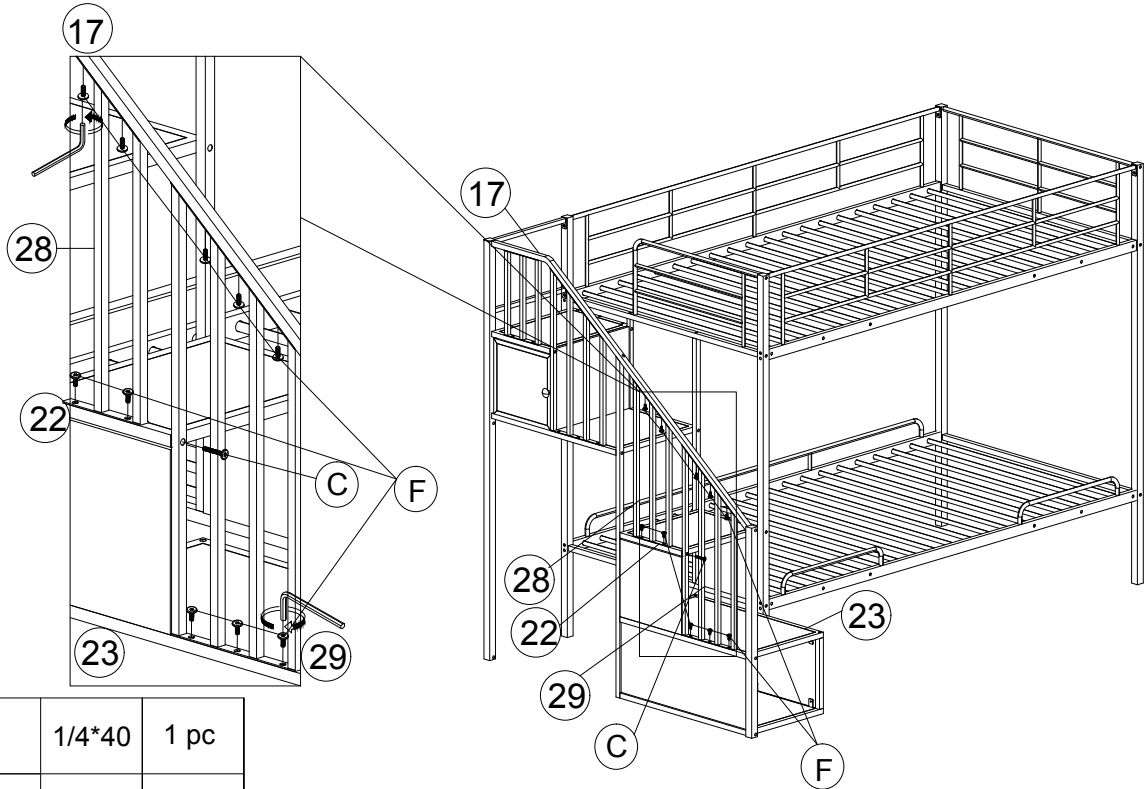
STEP 20





(C)		1/4*40	1 pc
(E)		1/4*18	10 pcs
(F)		#8*10	1 pc

BUNK BED WITH SHELF ASSEMBLY INSTRUCTIONS

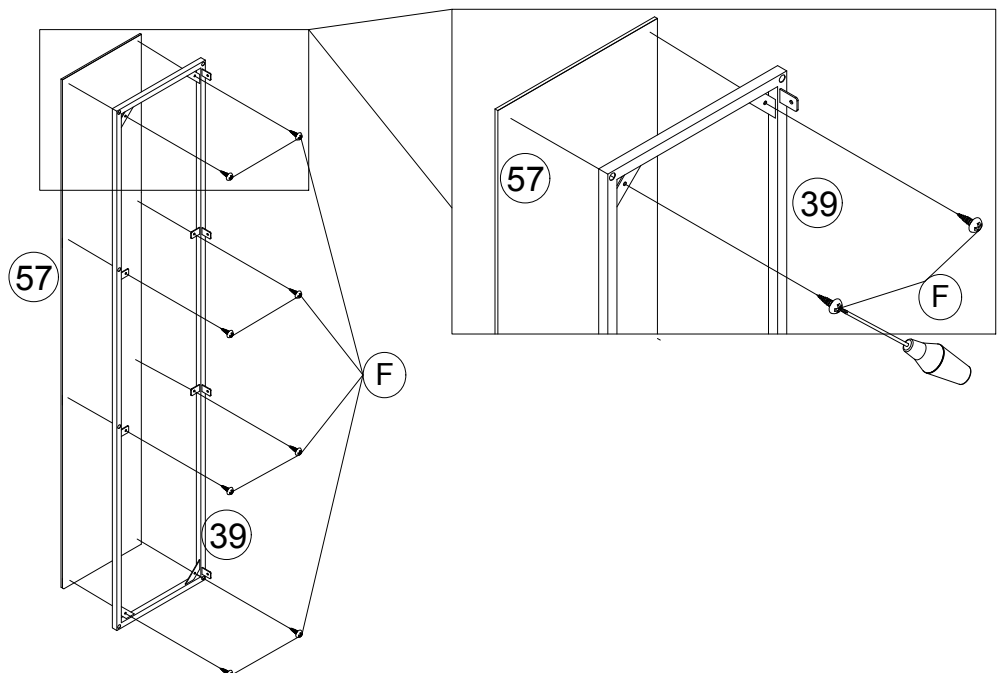
STEP 21




(C)		1/4*40	1 pc
(E)		1/4*18	10 pcs

STEP 22

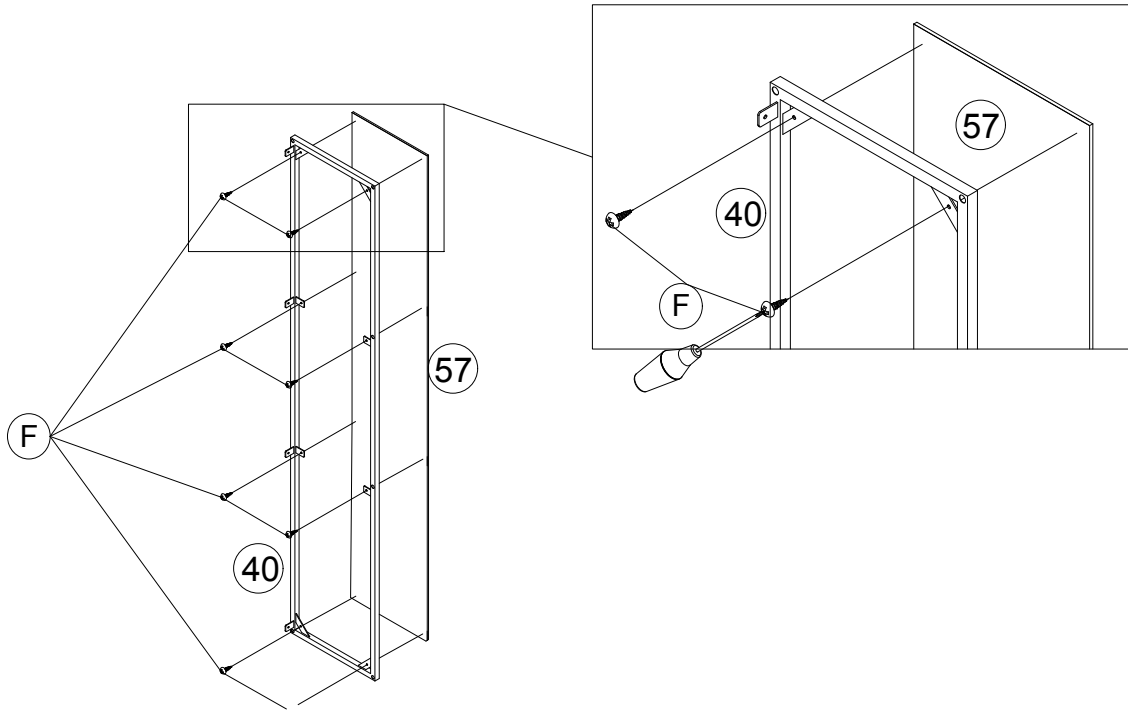
x2




(F)		#8*10	8 pcs x2
-----	---	-------	----------

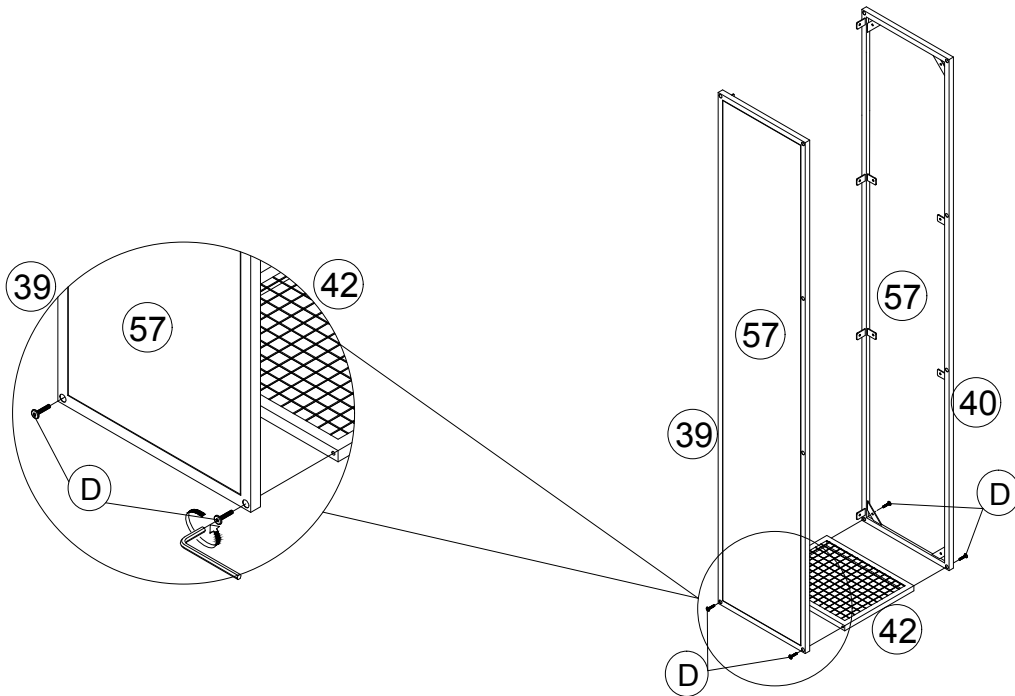
BUNK BED WITH SHELF ASSEMBLY INSTRUCTIONS


STEP 23
X2



(F)		#8*10	8 pcs x2
-----	---	-------	----------

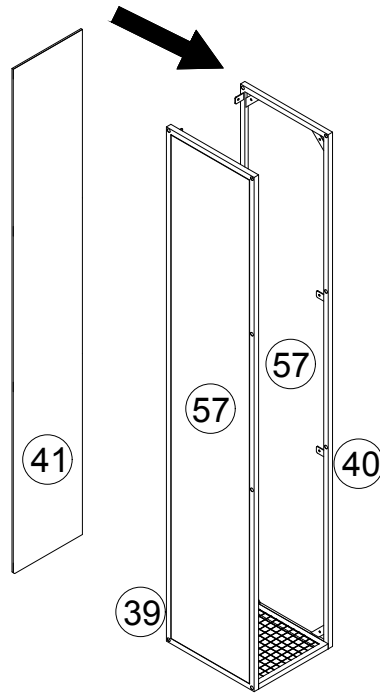
STEP 24
x2



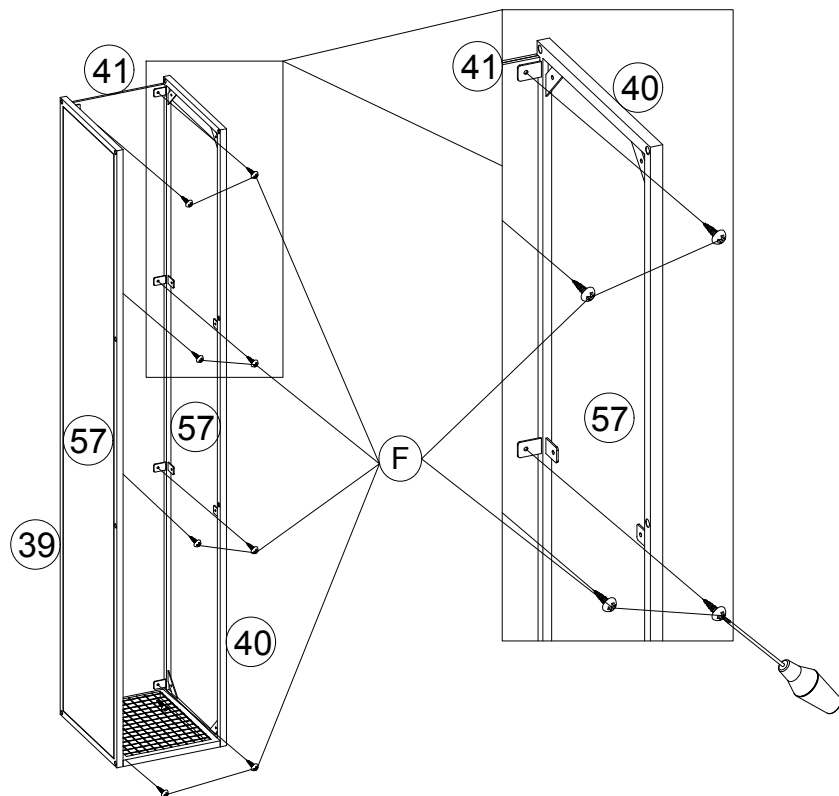
(D)		1/4*32	4 pcs x2
-----	---	--------	----------

BUNK BED WITH SHELF ASSEMBLY INSTRUCTIONS

STEP 25
x2



STEP 26
x2



F



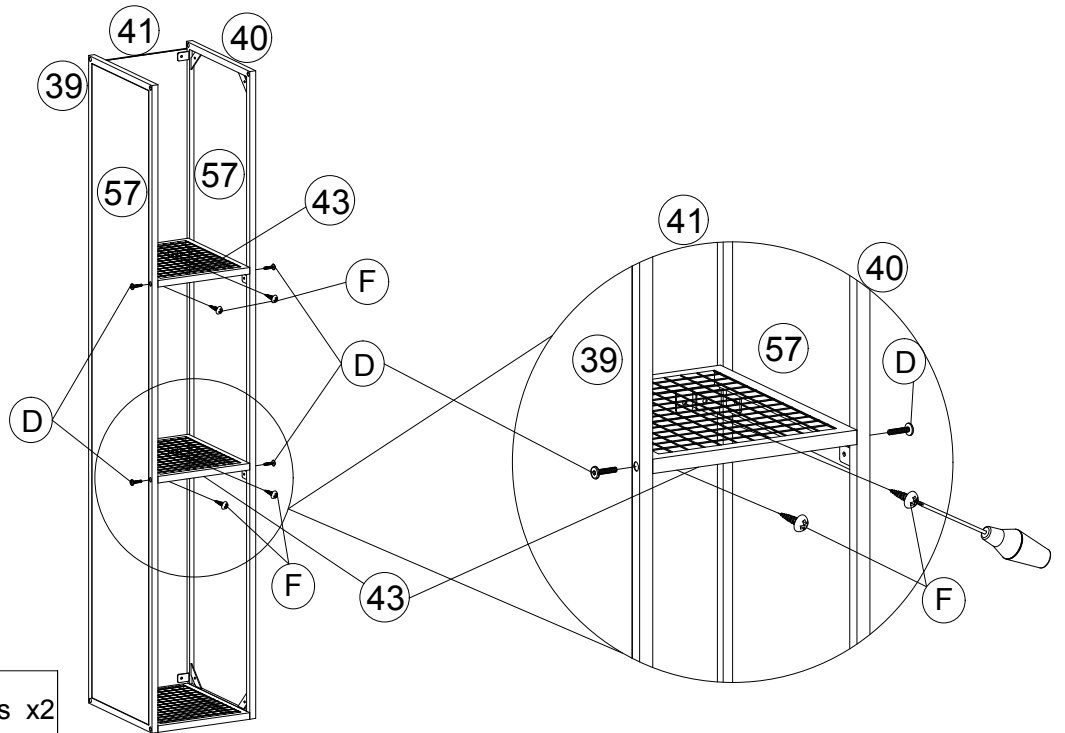
#8*10



8 pcs x2

20

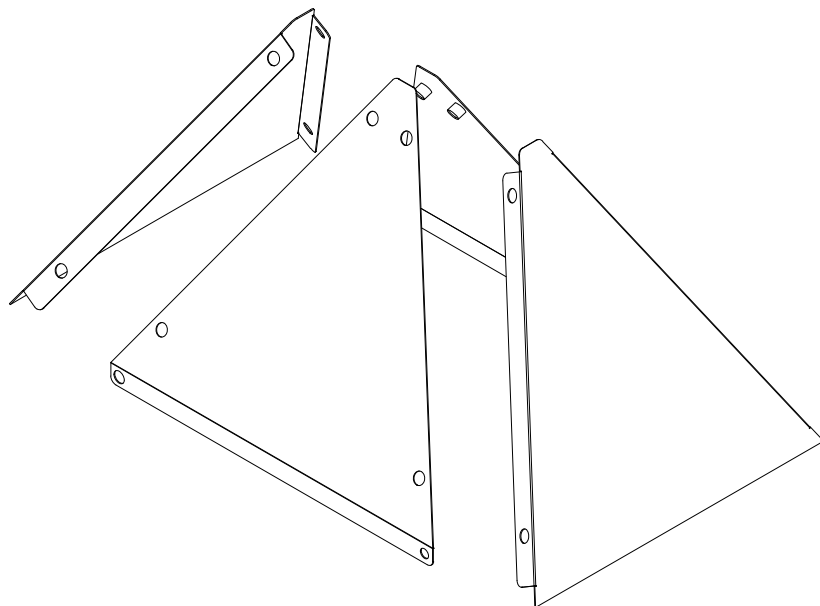
BUNK BED WITH SHELF ASSEMBLY INSTRUCTIONS

STEP 27 x2



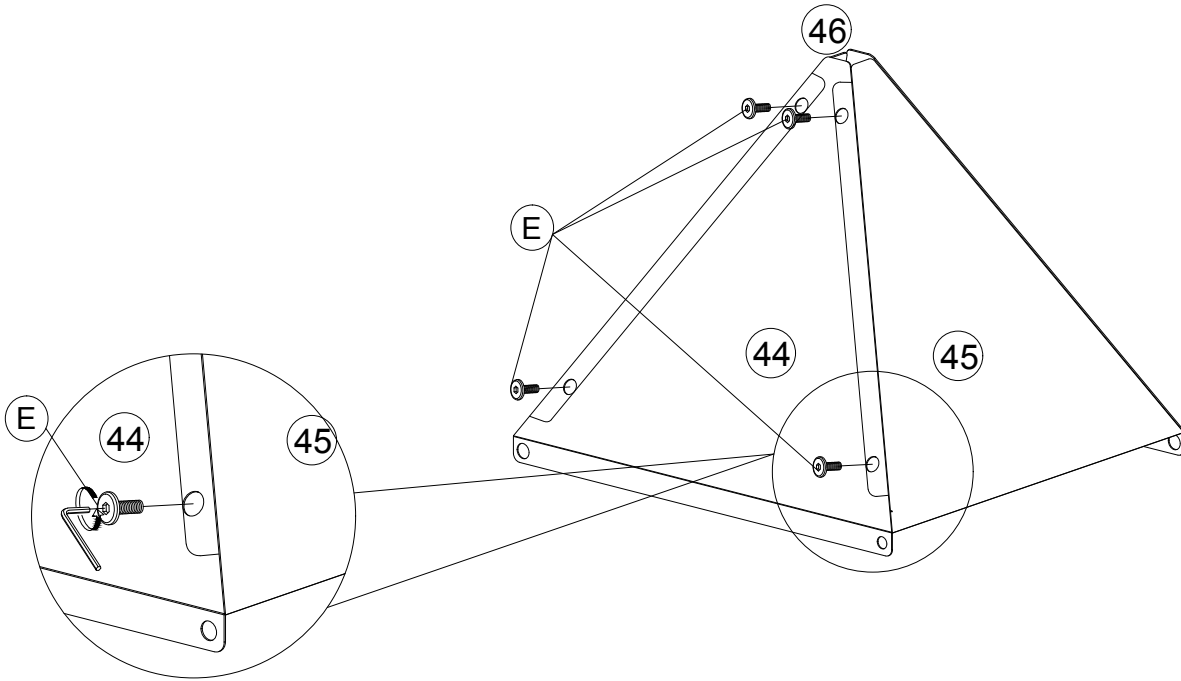
(D)		1/4*32	4 pcs x2
(F)		#8*10	4 pcs x2


STEP 28 x2



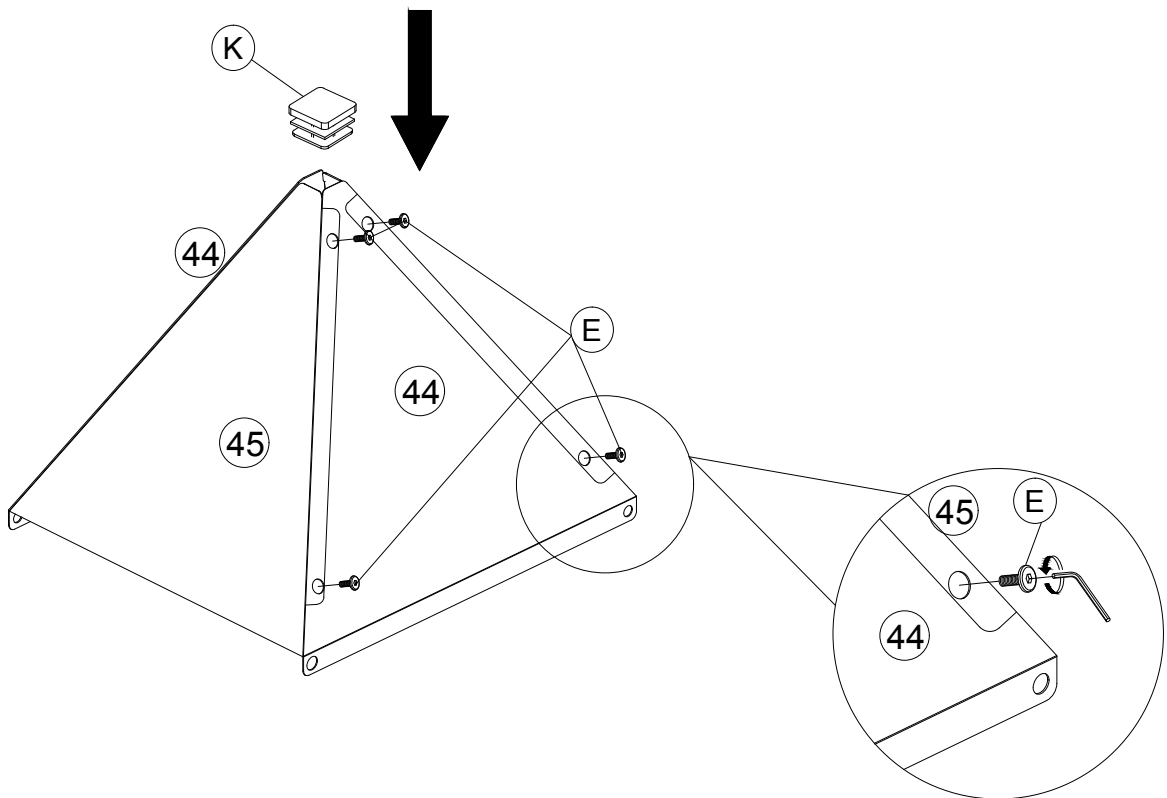
BUNK BED WITH SHELF ASSEMBLY INSTRUCTIONS


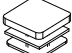
STEP 29 x2



E		1/4*18	4 pcs x2
---	---	--------	----------

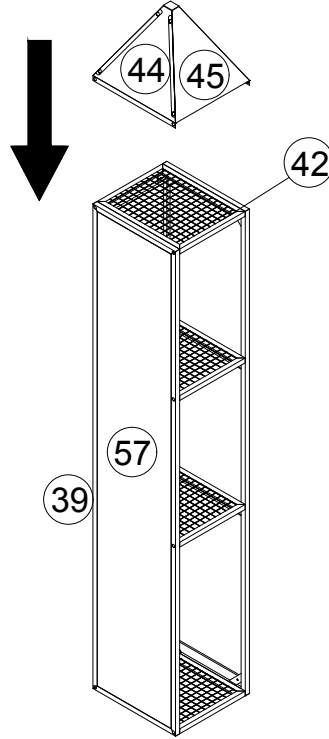
STEP 30 x2



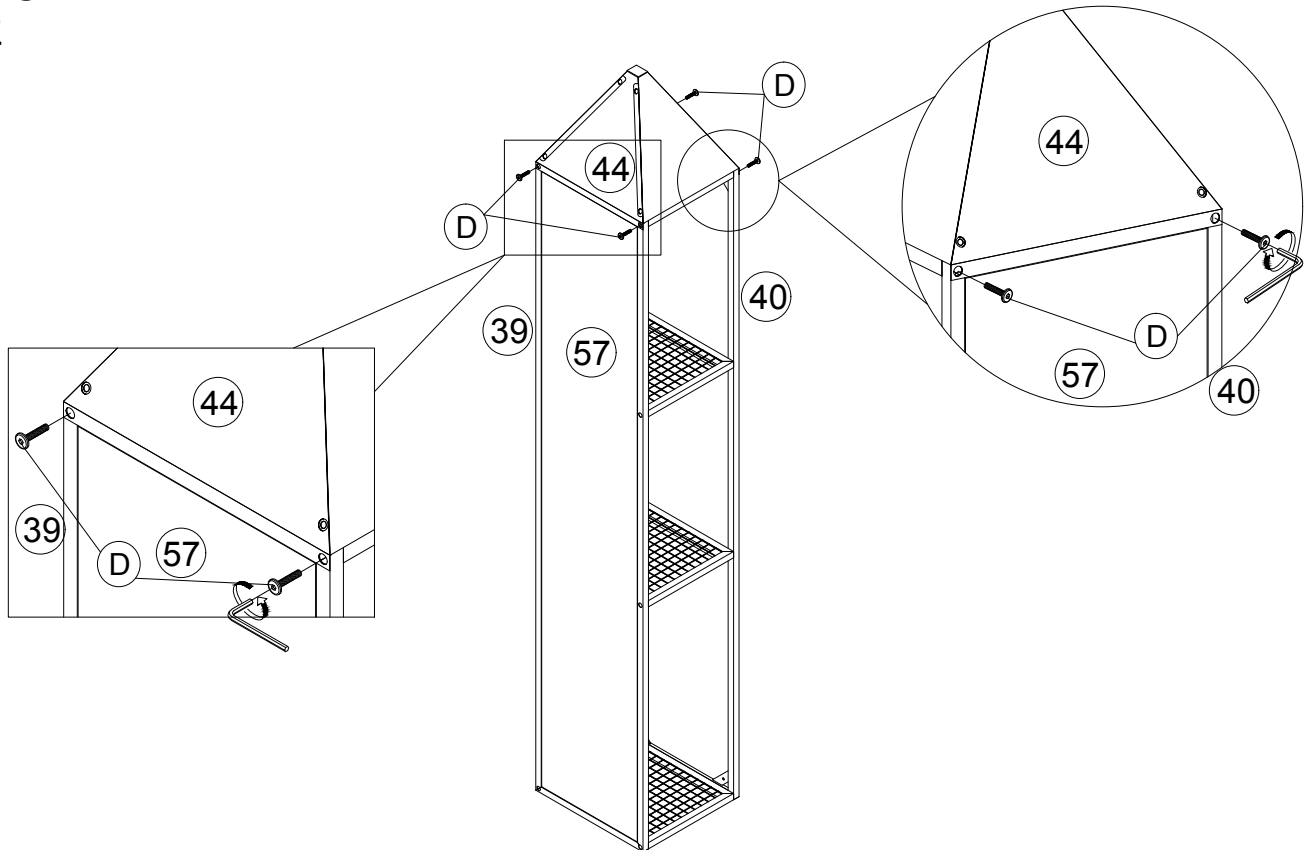
E		1/4*18	4 pcs x2
K		Plastic Cap	1 pc x2


BUNK BED WITH SHELF ASSEMBLY INSTRUCTIONS

STEP 31 x2



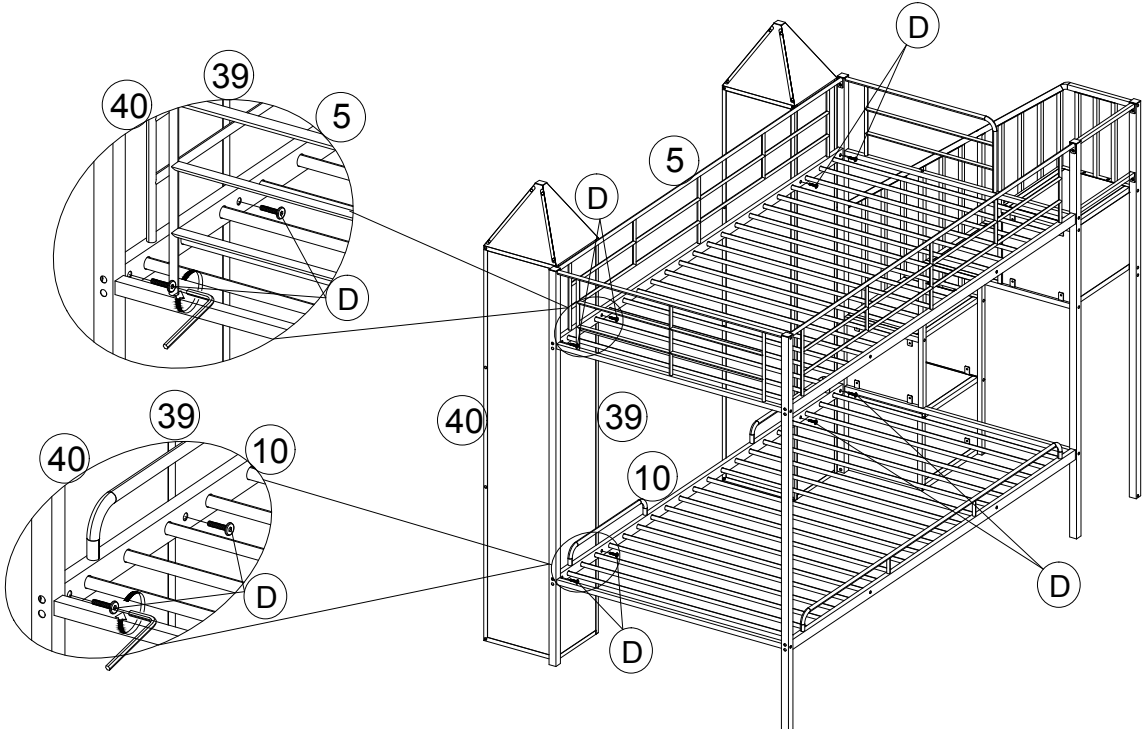
STEP 32 x2




(D)		1/4*32	4 pcs x2
-----	---	--------	----------

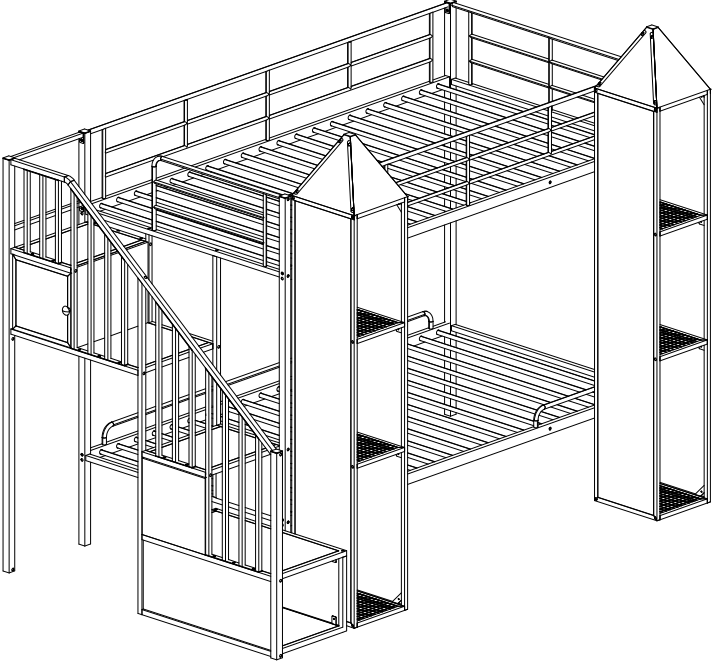
BUNK BED WITH SHELF ASSEMBLY INSTRUCTIONS

STEP 33



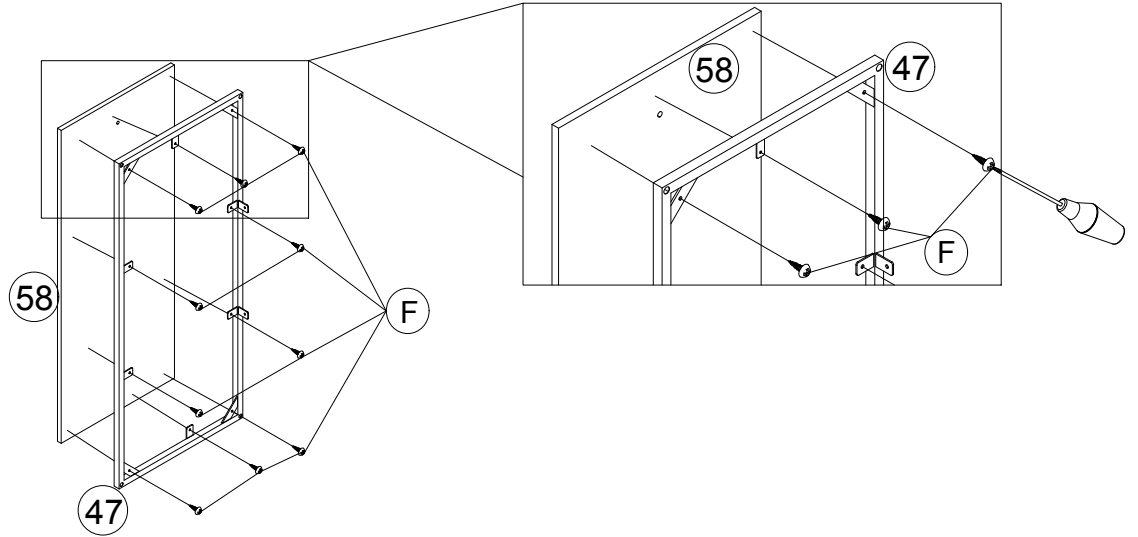
D		1/4*32	8 pcs
---	---	--------	-------


STEP 34



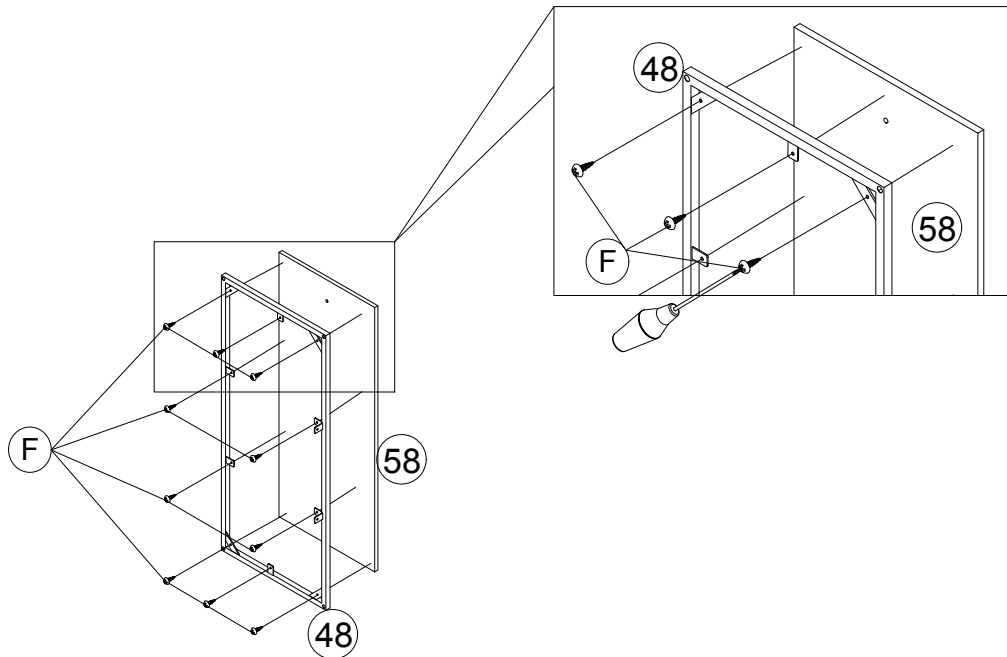
BUNK BED WITH SHELF ASSEMBLY INSTRUCTIONS


STEP 35



(F)		#8*10	10 pcs
-----	---	-------	--------

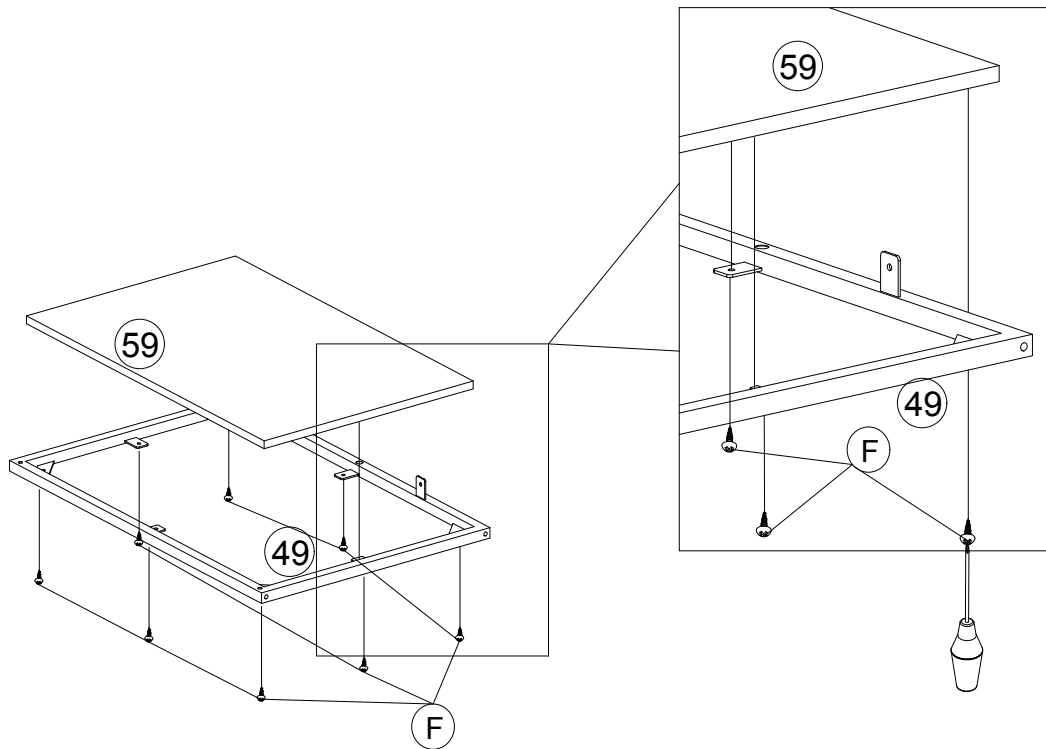
STEP 36




(F)		#8*10	10 pcs
-----	---	-------	--------

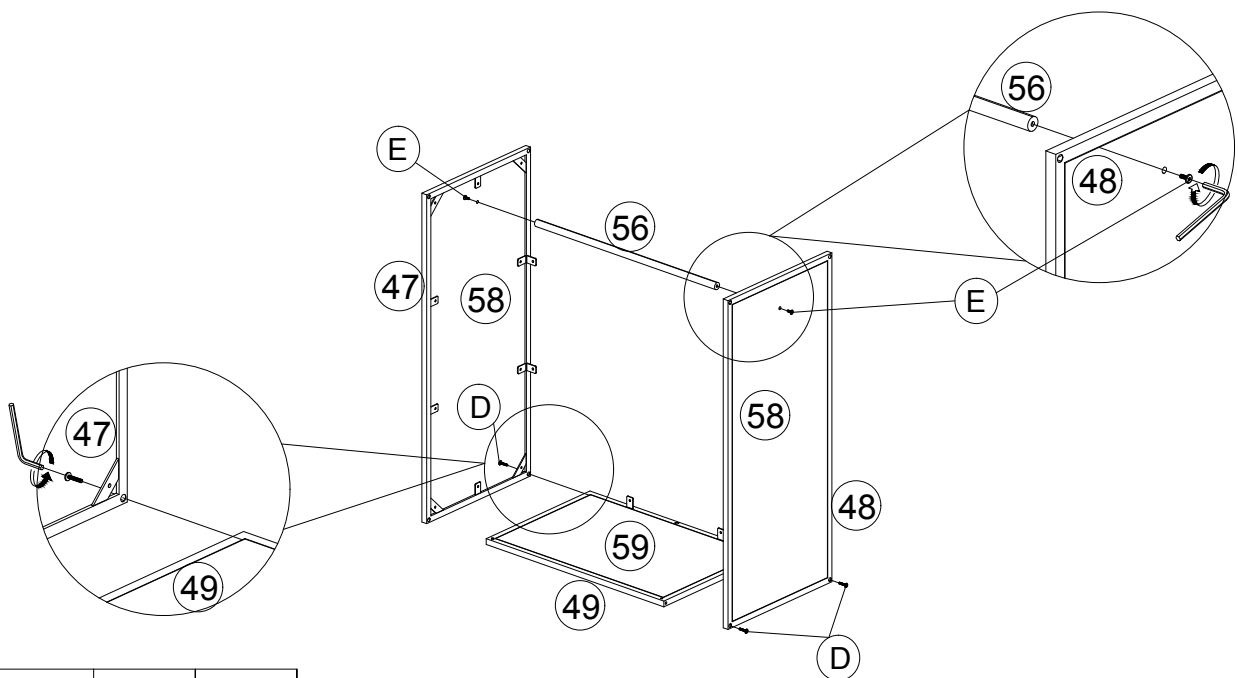
BUNK BED WITH SHELF ASSEMBLY INSTRUCTIONS



STEP 37



(F)		#8*10	8 pcs
-----	---	-------	-------

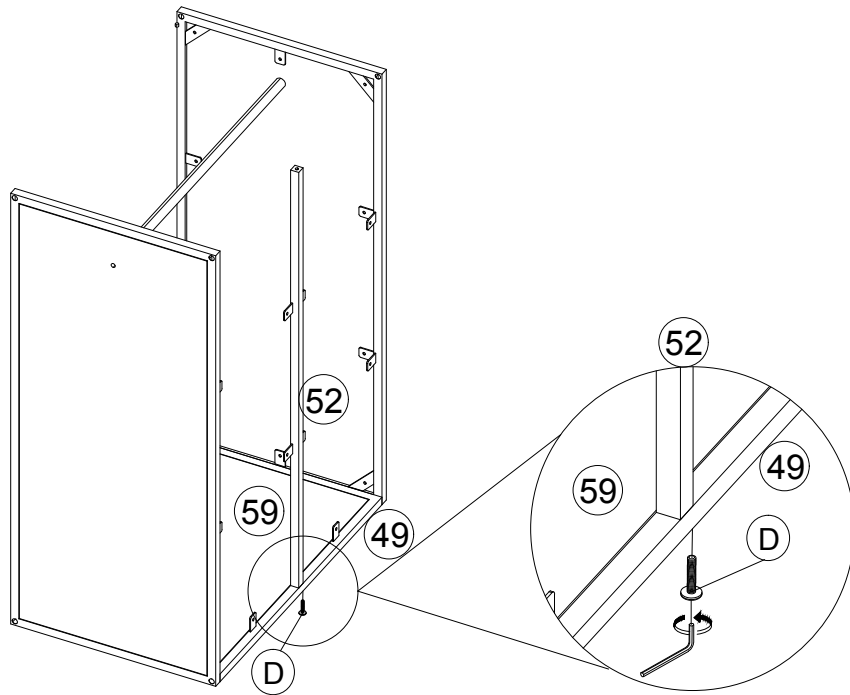
STEP 38



(D)		1/4*32	3 pcs
(E)		1/4*18	2 pcs

BUNK BED WITH SHELF ASSEMBLY INSTRUCTIONS

STEP 39



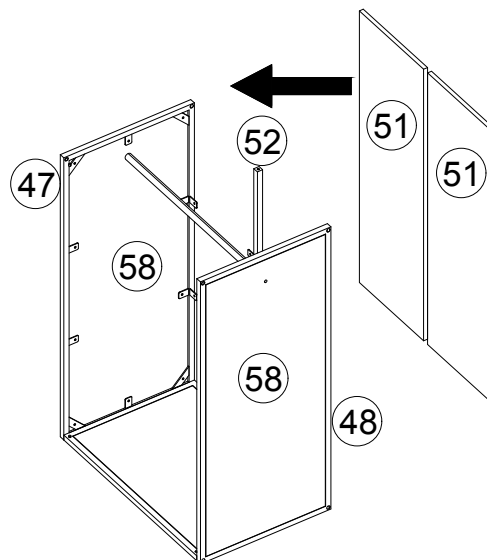
(D)



1/4*32

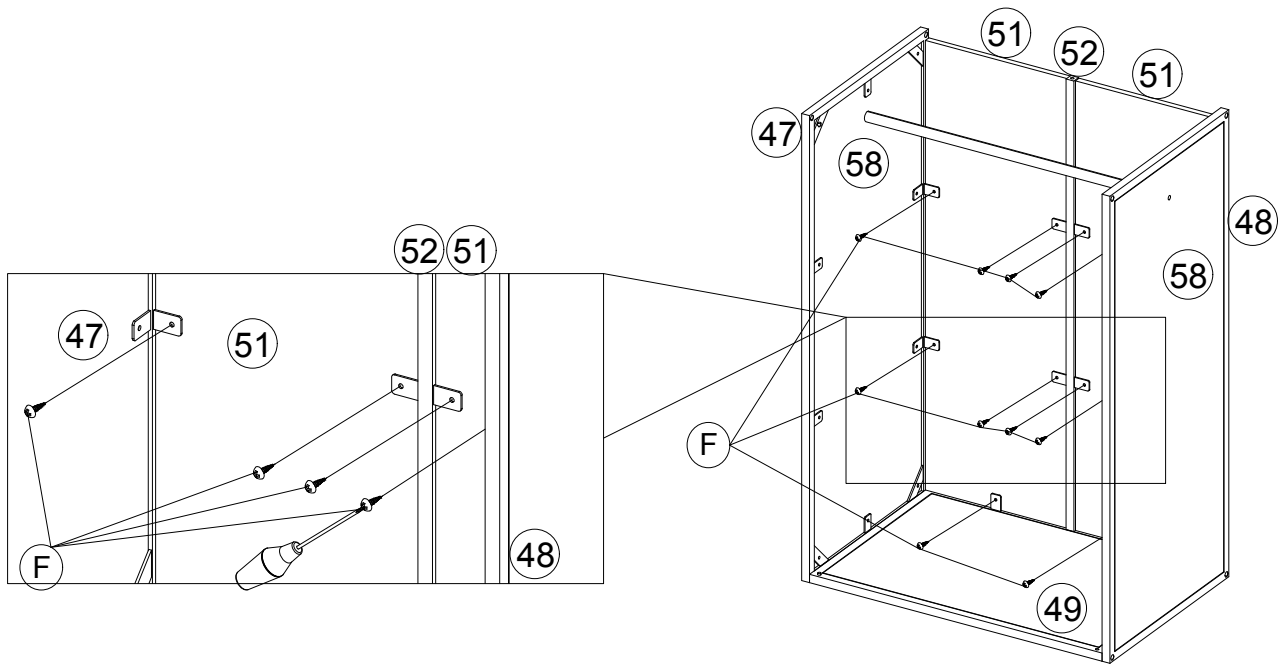
1 pc


STEP 40



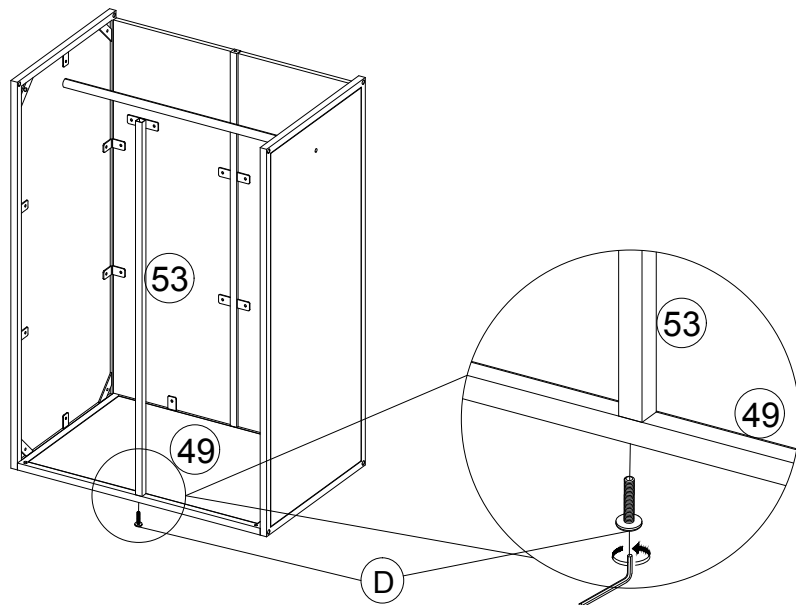
BUNK BED WITH SHELF ASSEMBLY INSTRUCTIONS


STEP 41



(F)		#8*10	10 pcs
-----	---	-------	--------

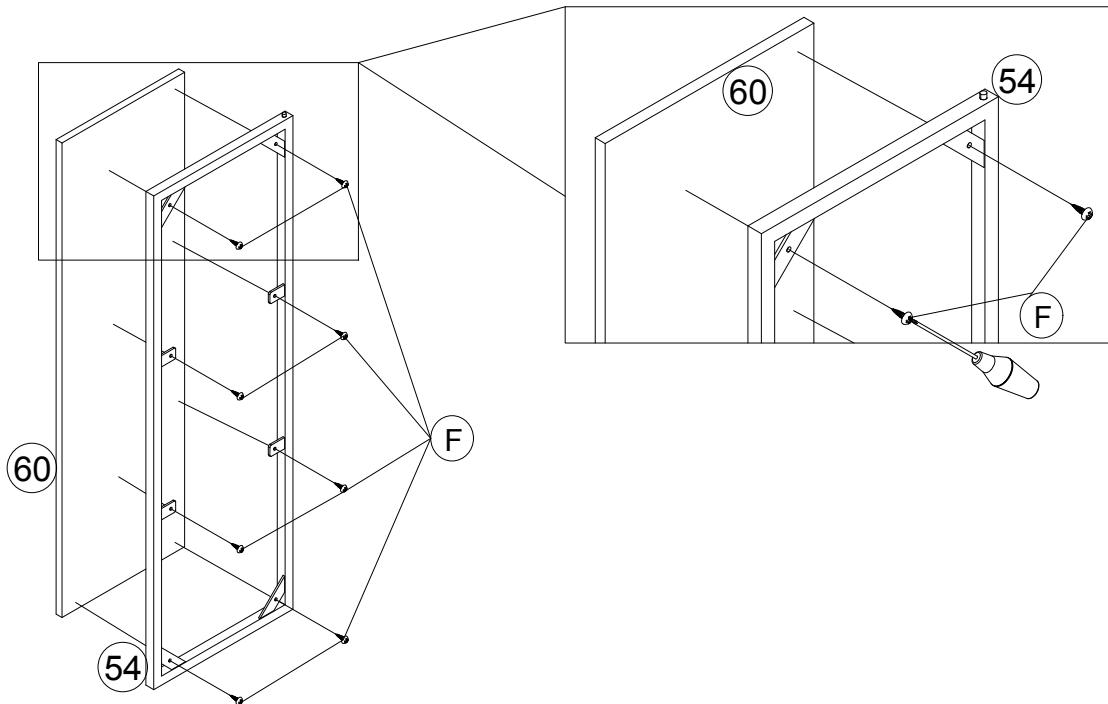
STEP 42




(D)		1/4*32	1 pc
-----	---	--------	------

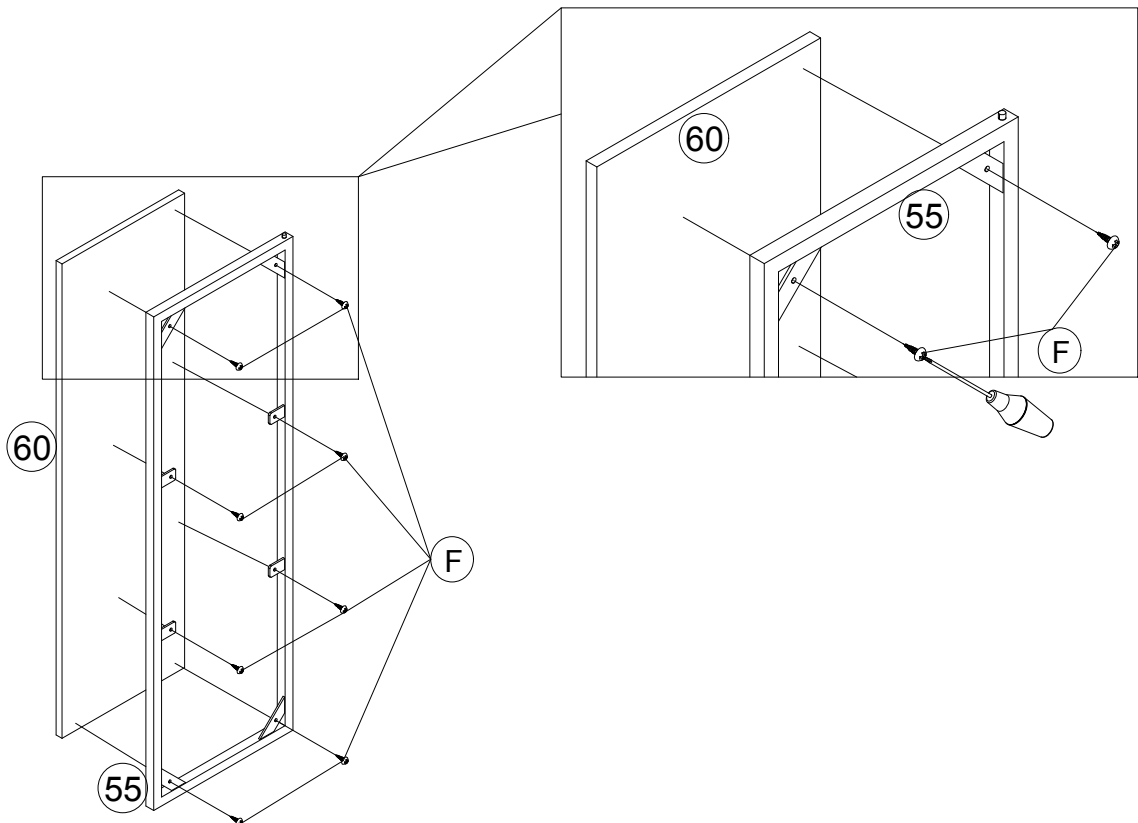
BUNK BED WITH SHELF ASSEMBLY INSTRUCTIONS

STEP 43



(F)		#8*10	8 pcs
-----	---	-------	-------

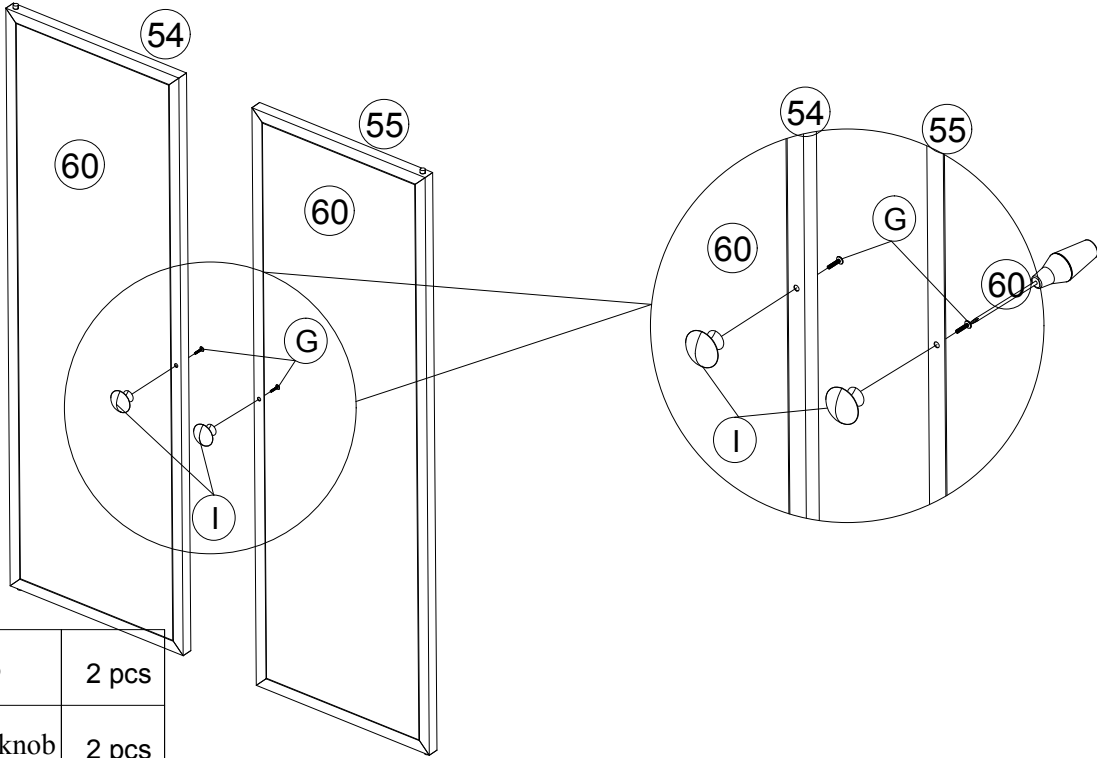
STEP 44





(F)		#8*10	8 pcs
-----	---	-------	-------

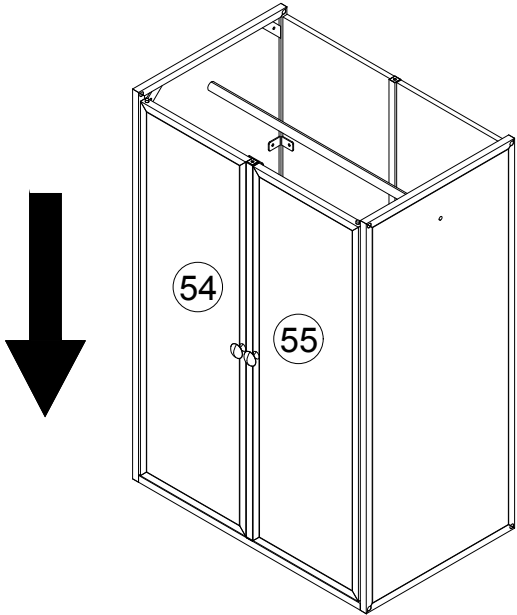
BUNK BED WITH SHELF ASSEMBLY INSTRUCTIONS

STEP 45



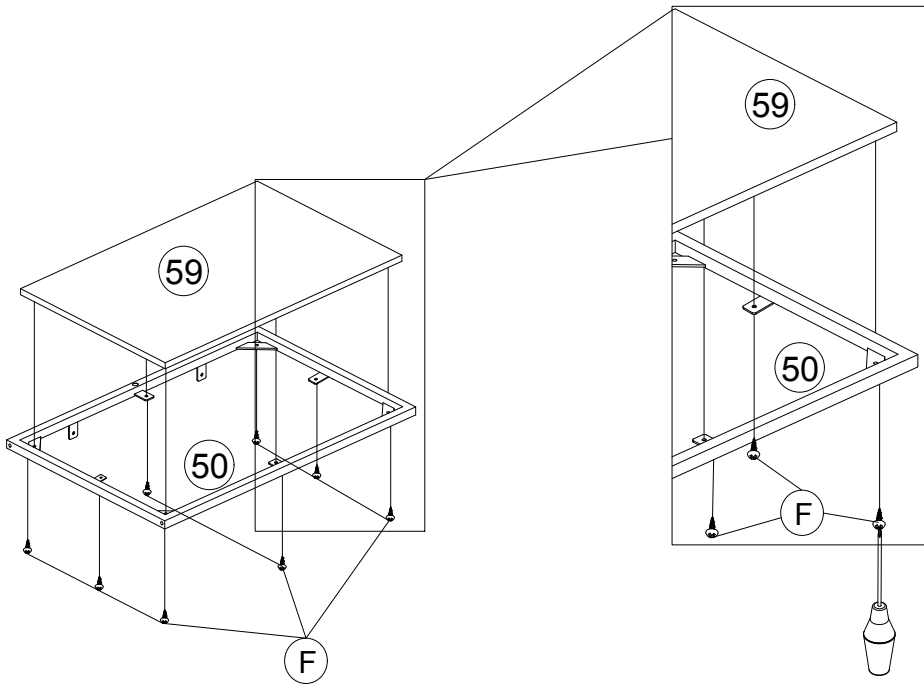
G		5/32*25	2 pcs
I		cabinet knob	2 pcs


STEP 46



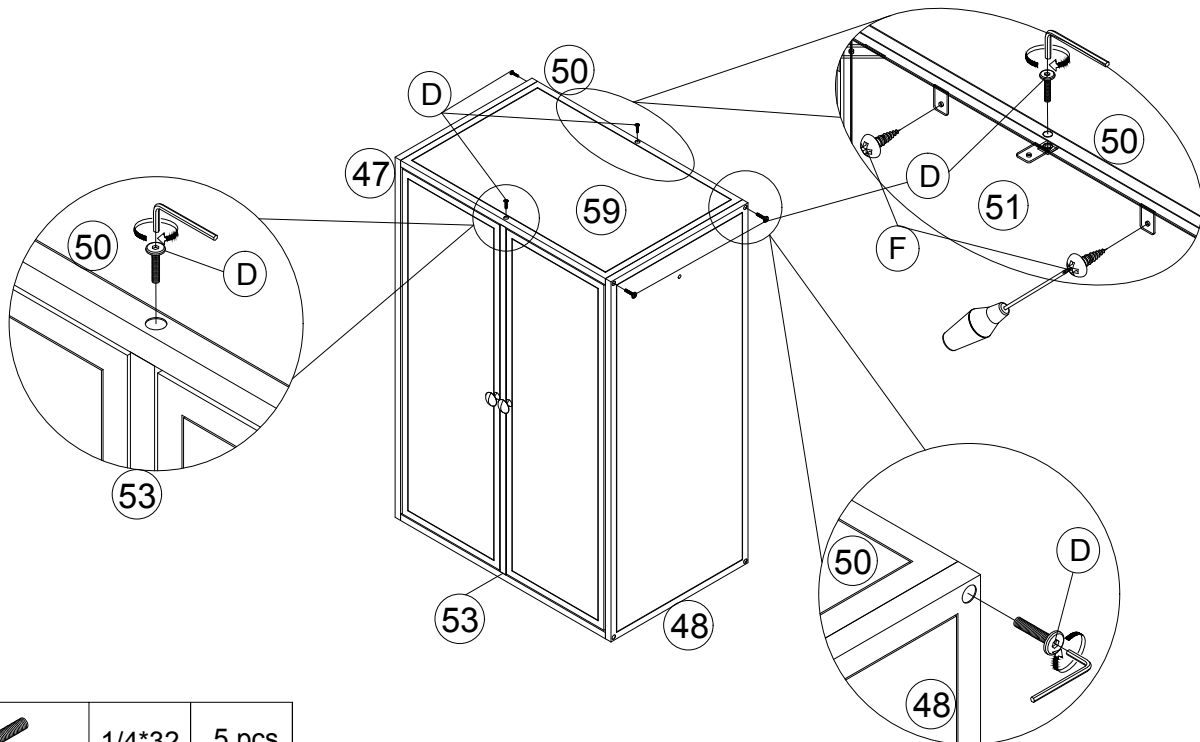
BUNK BED WITH SHELF ASSEMBLY INSTRUCTIONS



STEP 47



(F)		#8*10	8 pcs
-----	---	-------	-------

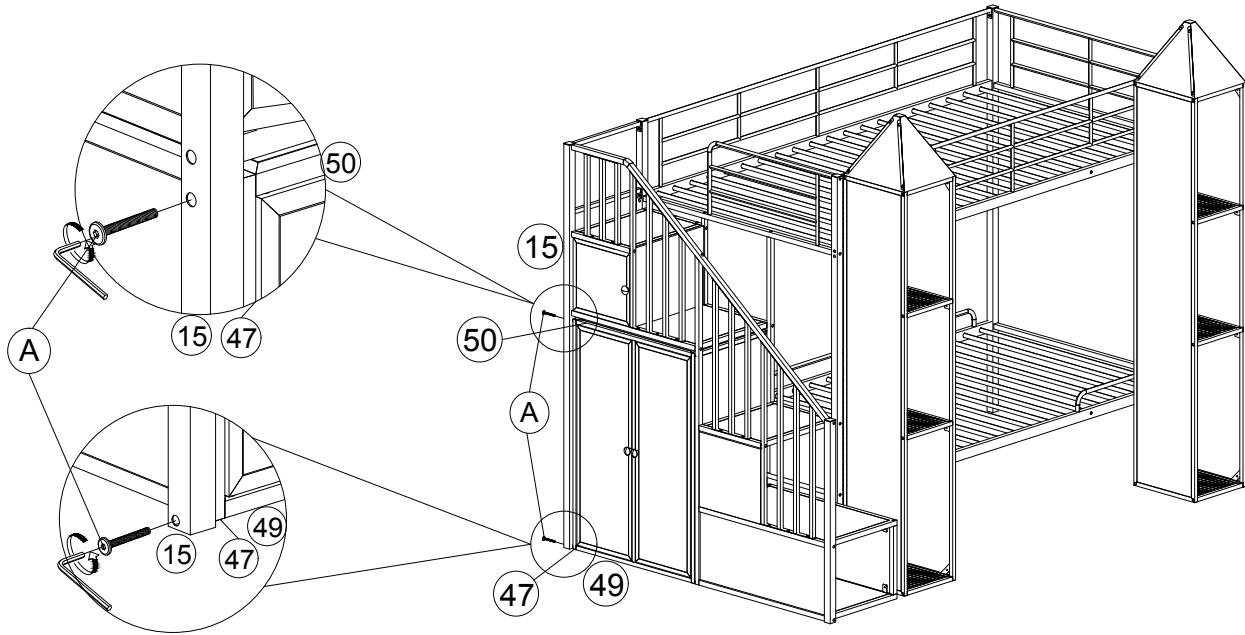
STEP 48



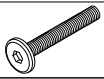
(D)		1/4*32	5 pcs
(F)		#8*10	2 pcs

BUNK BED WITH SHELF ASSEMBLY INSTRUCTIONS

STEP 49



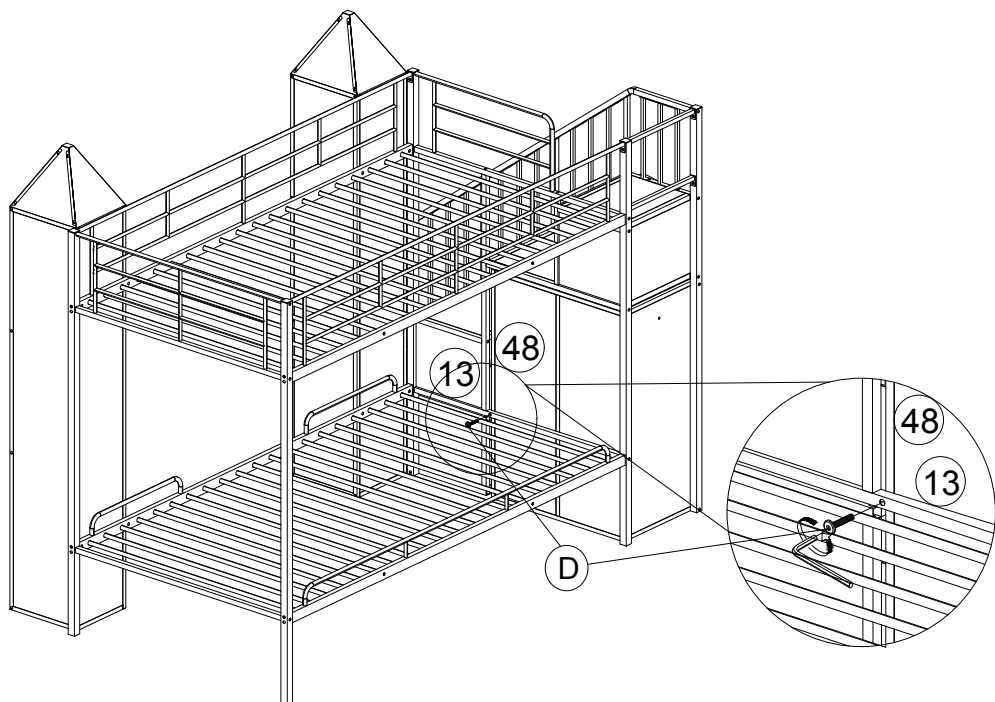
(A)



1/4*55

2 pcs

STEP 50



(D)



1/4*32

1 pc

BUNK BED WITH SHELF ASSEMBLY INSTRUCTIONS

COMPLETE

