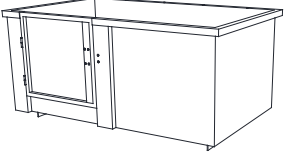
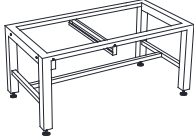
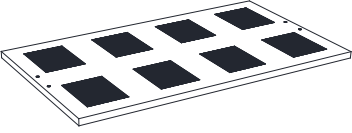





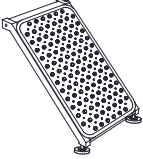
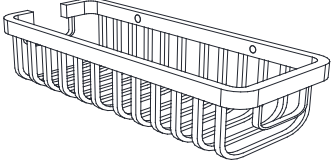

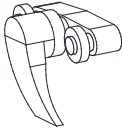
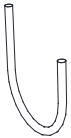
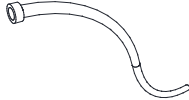








⚠ "IMPORTANT, RETAIN FOR FUTURE REFERENCE: READ CAREFULLY"

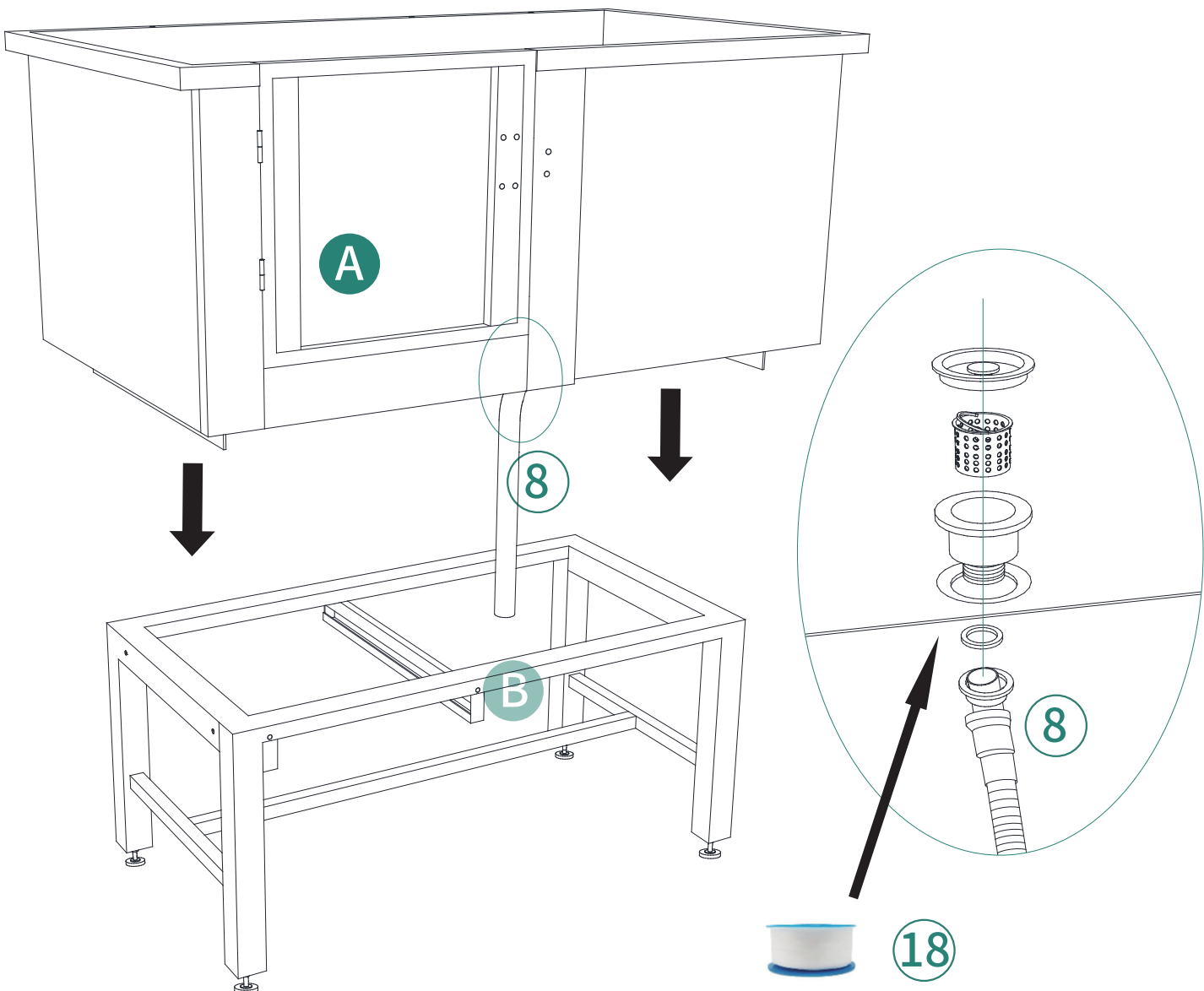
1. Before installation, please ensure that the ground is level, sturdy, and free of obstacles. This will prevent the bathtub from tilting or becoming unstable.
2. Check pipe connections: Before installation, inspect and ensure that the connections for the water pipes and drainage pipes are secure, with no leakage or seepage.
3. Test water flow and drainage: After the installation is complete, turn on the faucet and drain hole to test if the water flow and drainage are normal. If there is leakage or poor water flow, further inspection and adjustment are required.
4. After installation is complete, always ensure that all components are intact and securely fixed.
5. Cleaning and maintenance: After installation is complete, regularly clean and maintain the bathtub to keep it in good sanitary condition and help extend its service life.
6. Do not exceed the weight capacity.

Item no.	Reference Image	Qty.	Item no.	Reference Image	Qty.
A		X1	B		X1
C		X1	D		X1
E		X1	F		X1
G		X1	H		X1
I		X1	1		X1
2		X1	3		X1
4		X1	5		X2

Item no.	Reference Image	Qty.	Item no.	Reference Image	Qty.
6		X2	7		X1
8		X1	9	 M4 X 12MM	X4
10	 M6 X 16MM	X17	11		X2
12		X2	13		X1
14		X1	15		X1
16		X2	17		X1
18		X2	19		X1
20	 M5 X 16MM	X6	21		X2
22		X2	23		X1

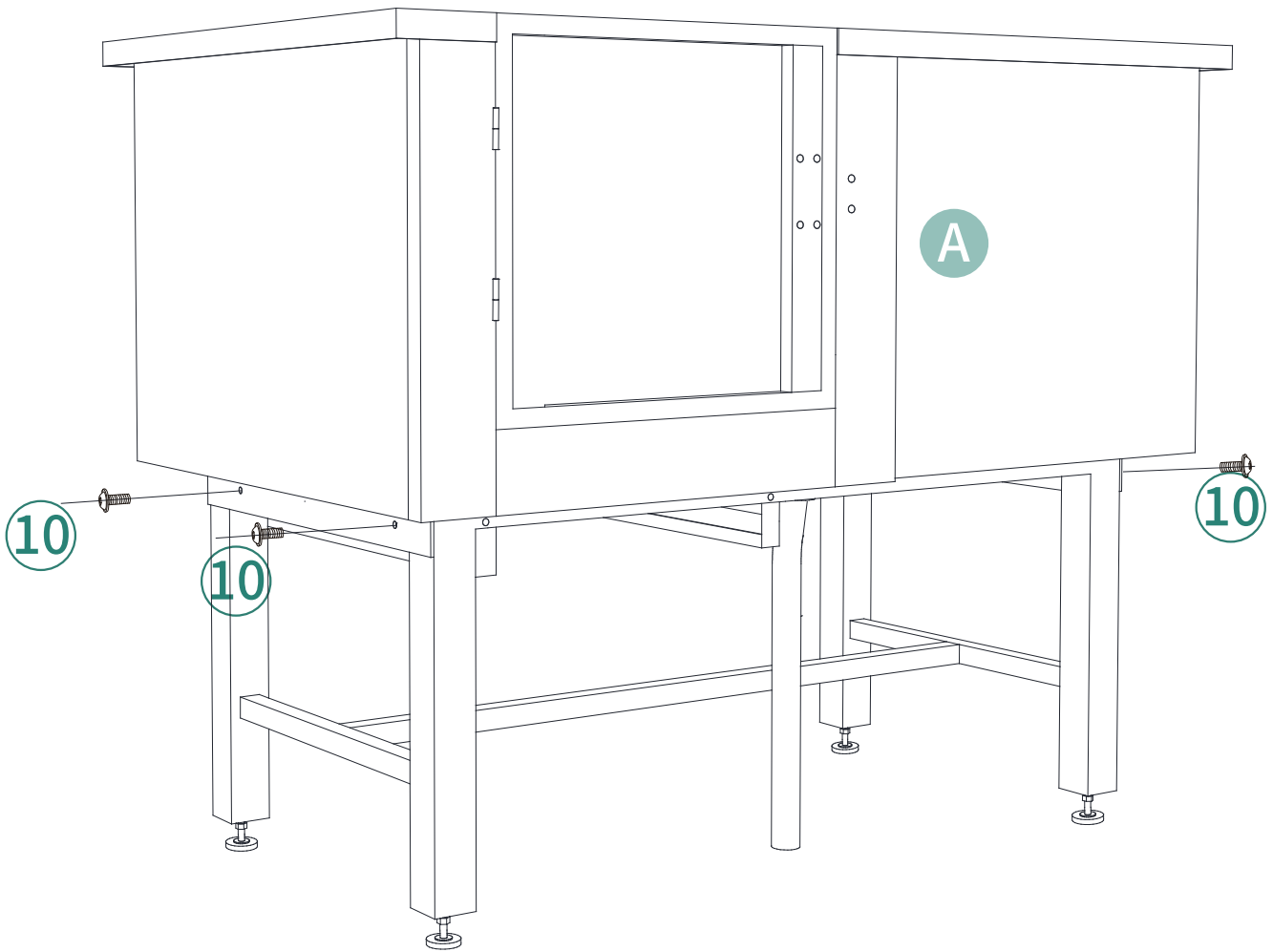
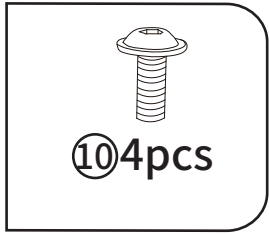
1

 **A** 1pc  **8** 1pc  **18** 1pc



Apply waterproof tape around the interface to protect against water leakage.

2



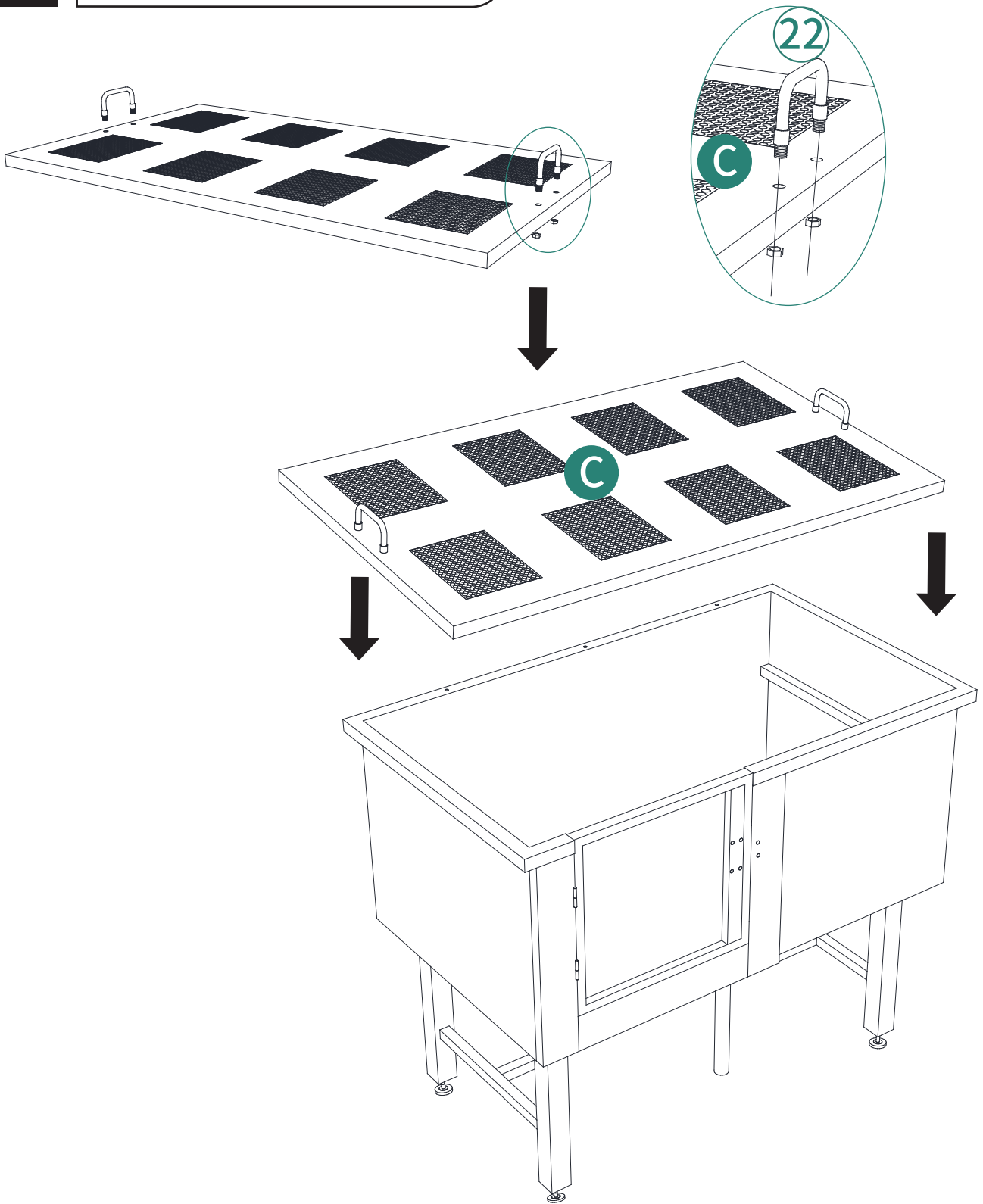
3



©1pc

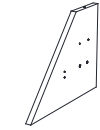


22 2pcs

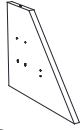


5

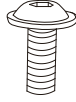
4



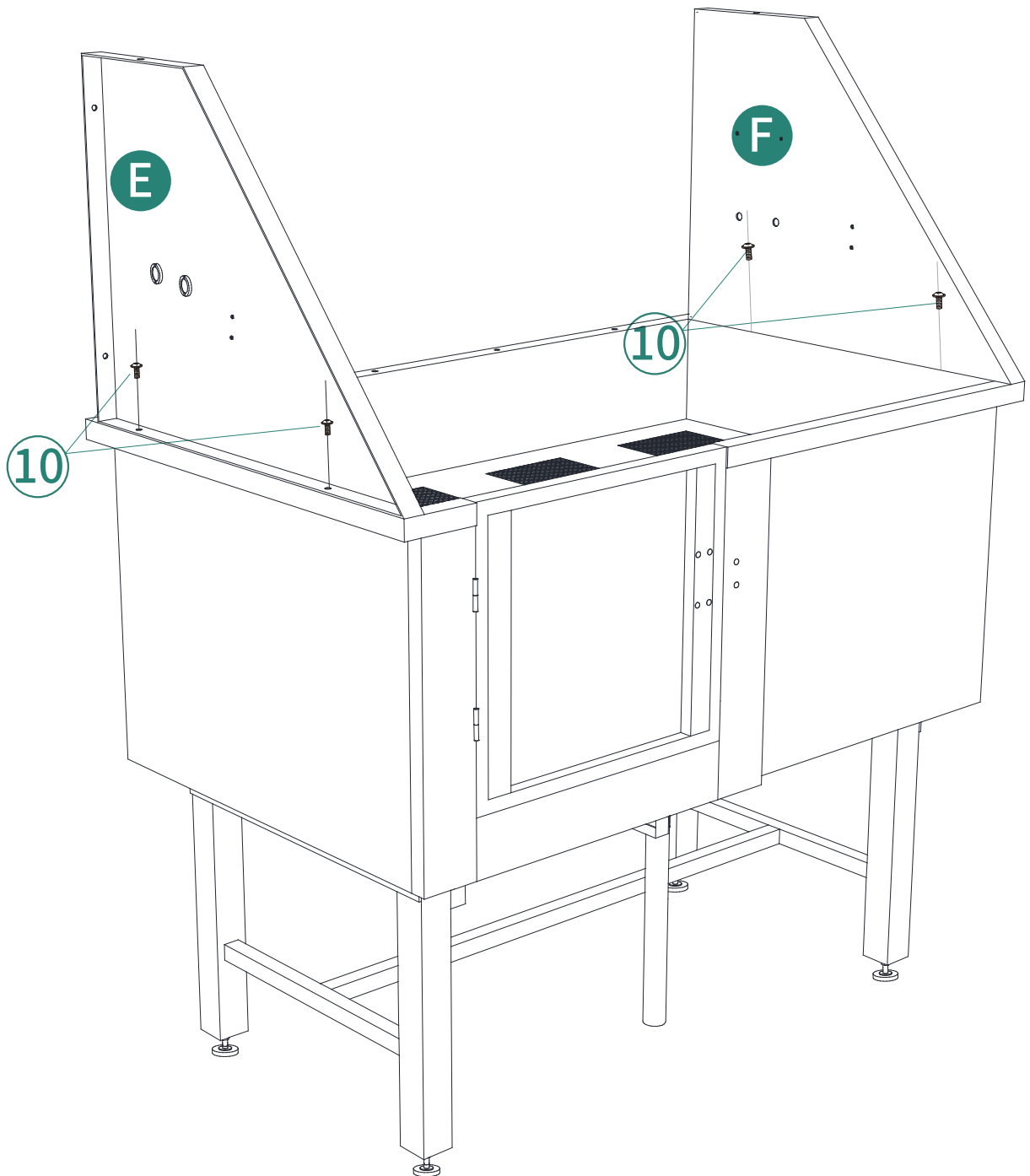
ⓔ1pc



ⓕ1pc



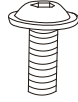
⑩4pcs



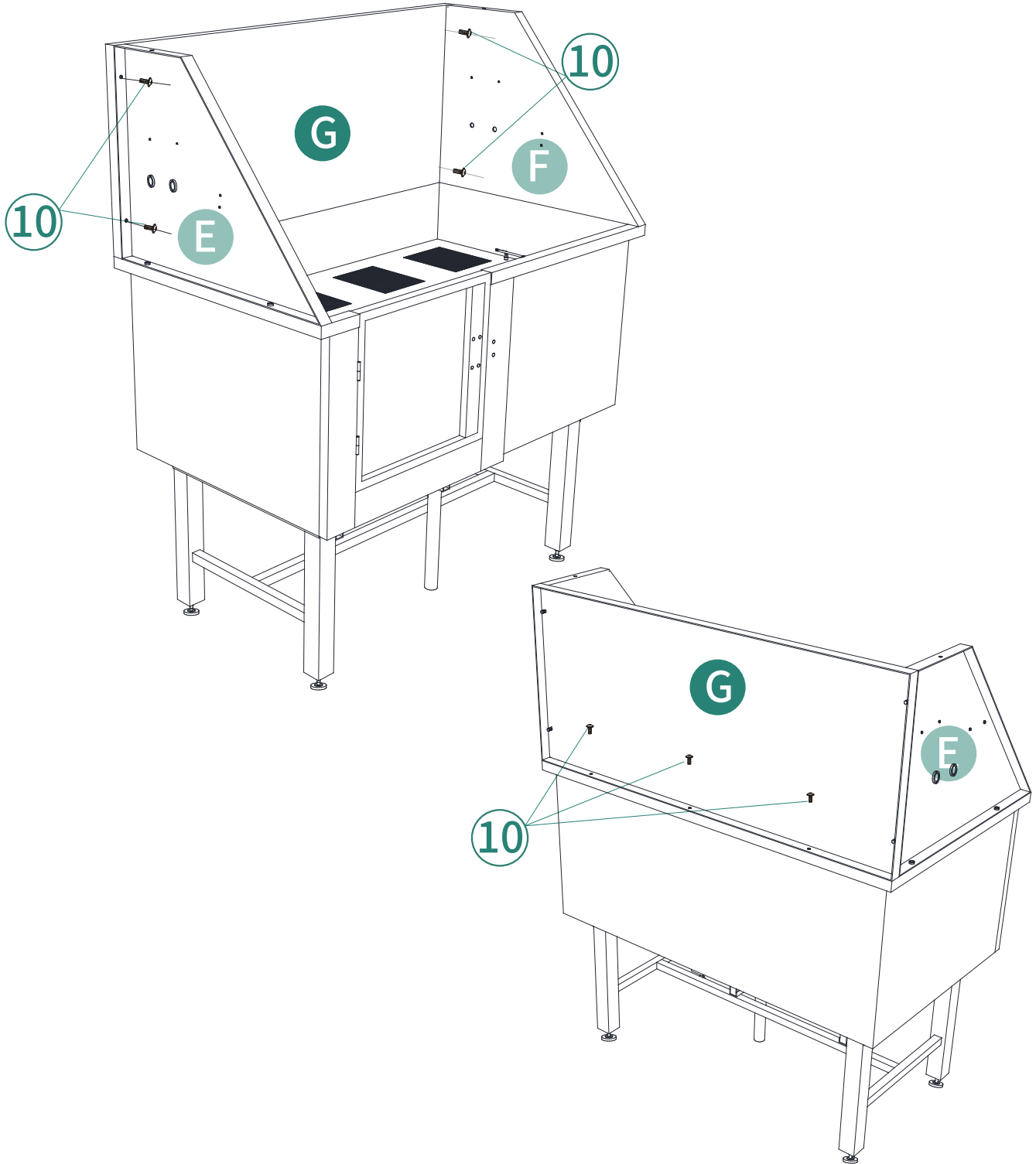
5



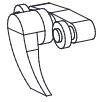
ⓐ1pc



⑩7pcs



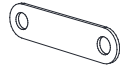
6



③ 1pc



⑤ 2pcs



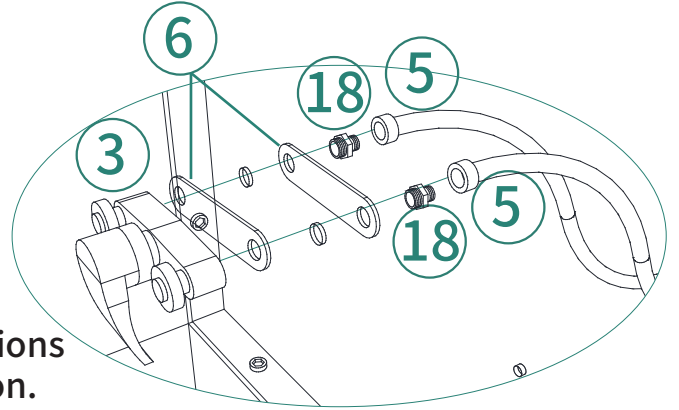
⑥ 2pcs



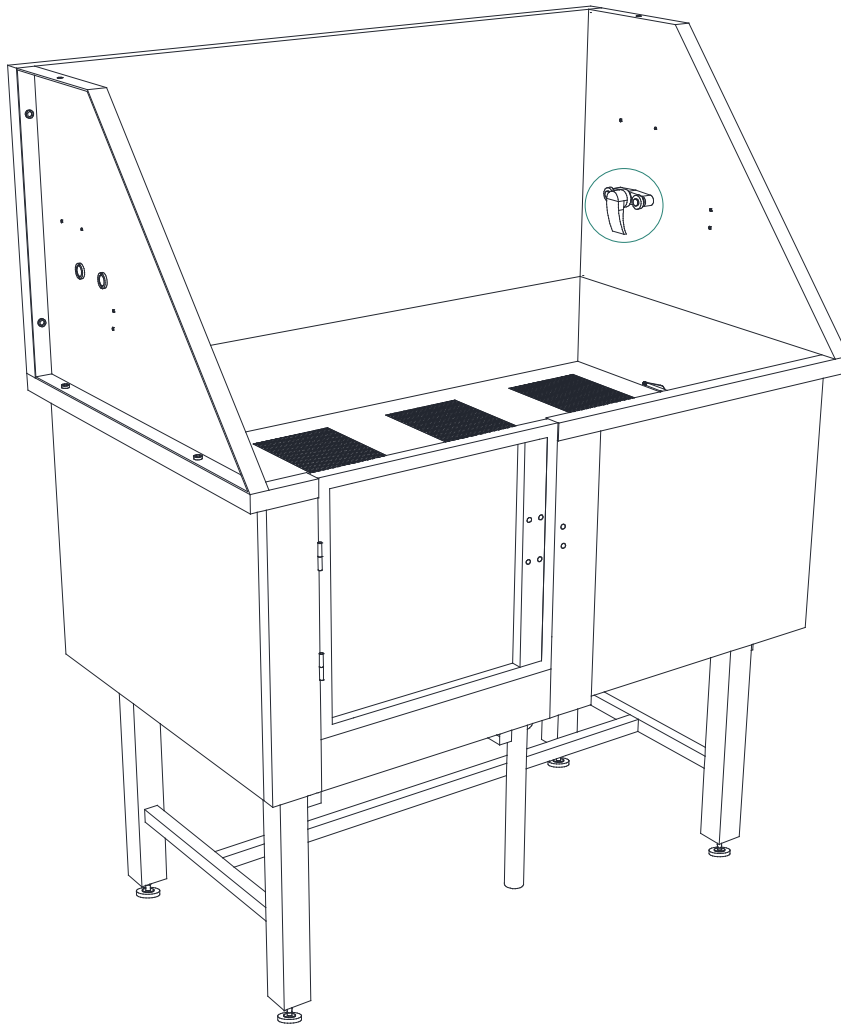
⑬ 1pc



⑱ 2pcs

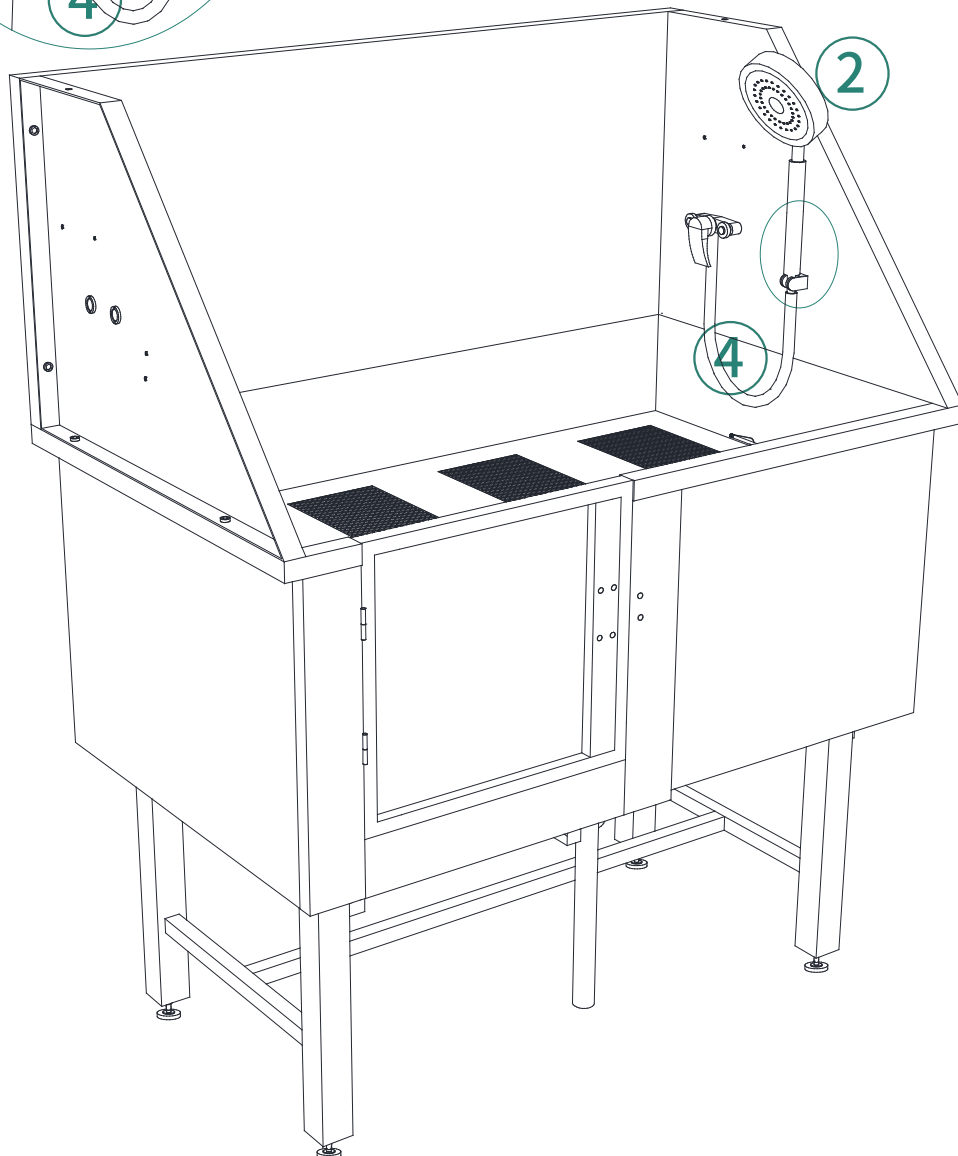
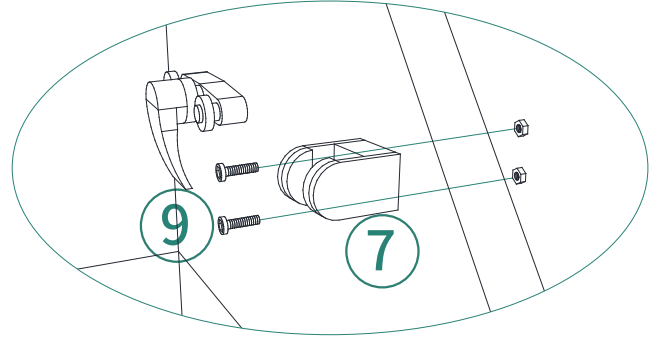
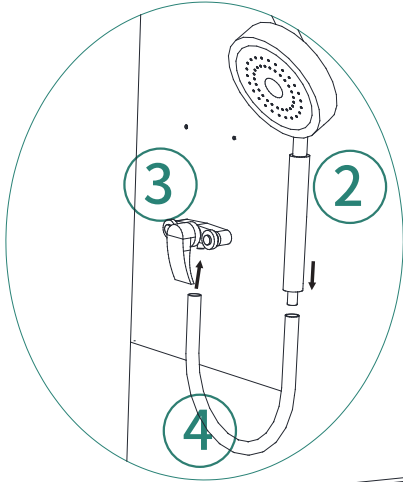


Please apply waterproof tape to the connections of the water pipe for waterproofing protection.



7

- ② 1pc
- ④ 1pc
- ⑦ 1pc
- ⑨ 2pcs



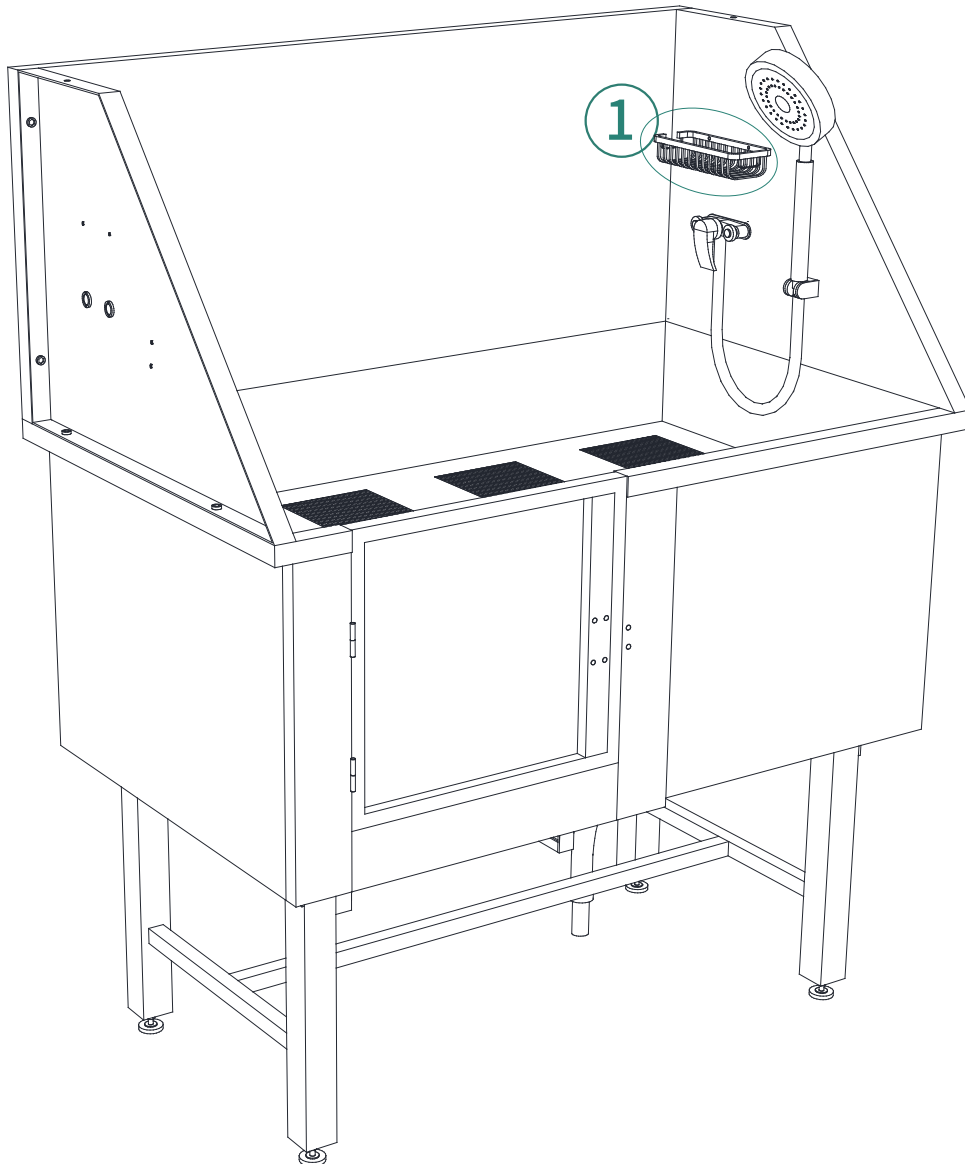
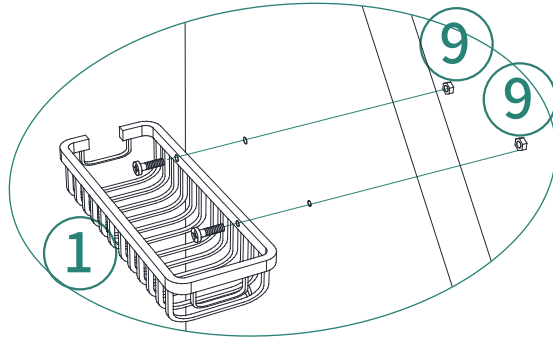
8



① 1pc



⑨ 2pcs



9



Ⓜ1pc



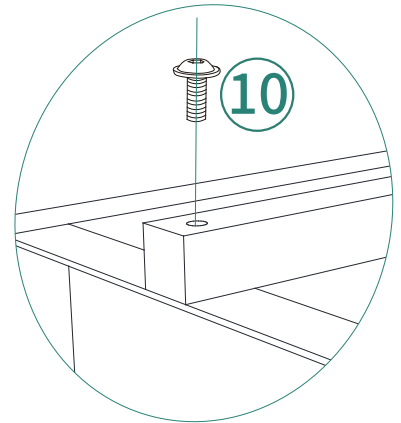
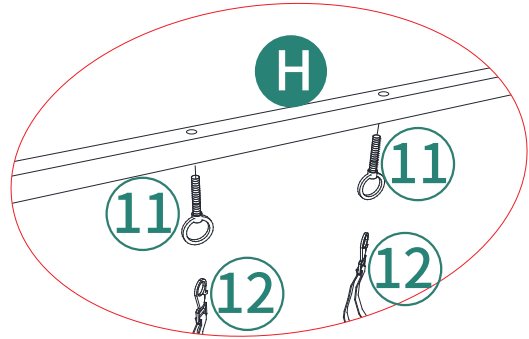
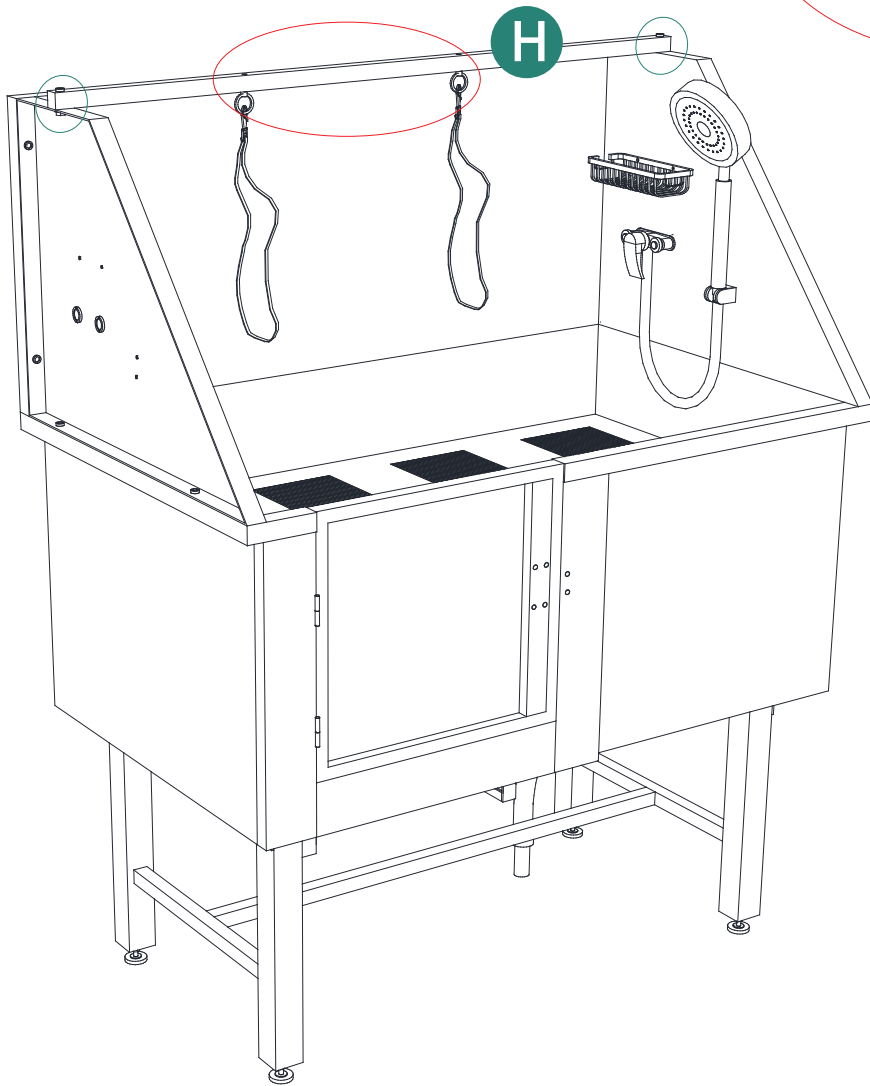
⑩2pcs



⑪2pcs



⑫2pcs



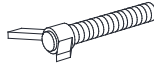
10



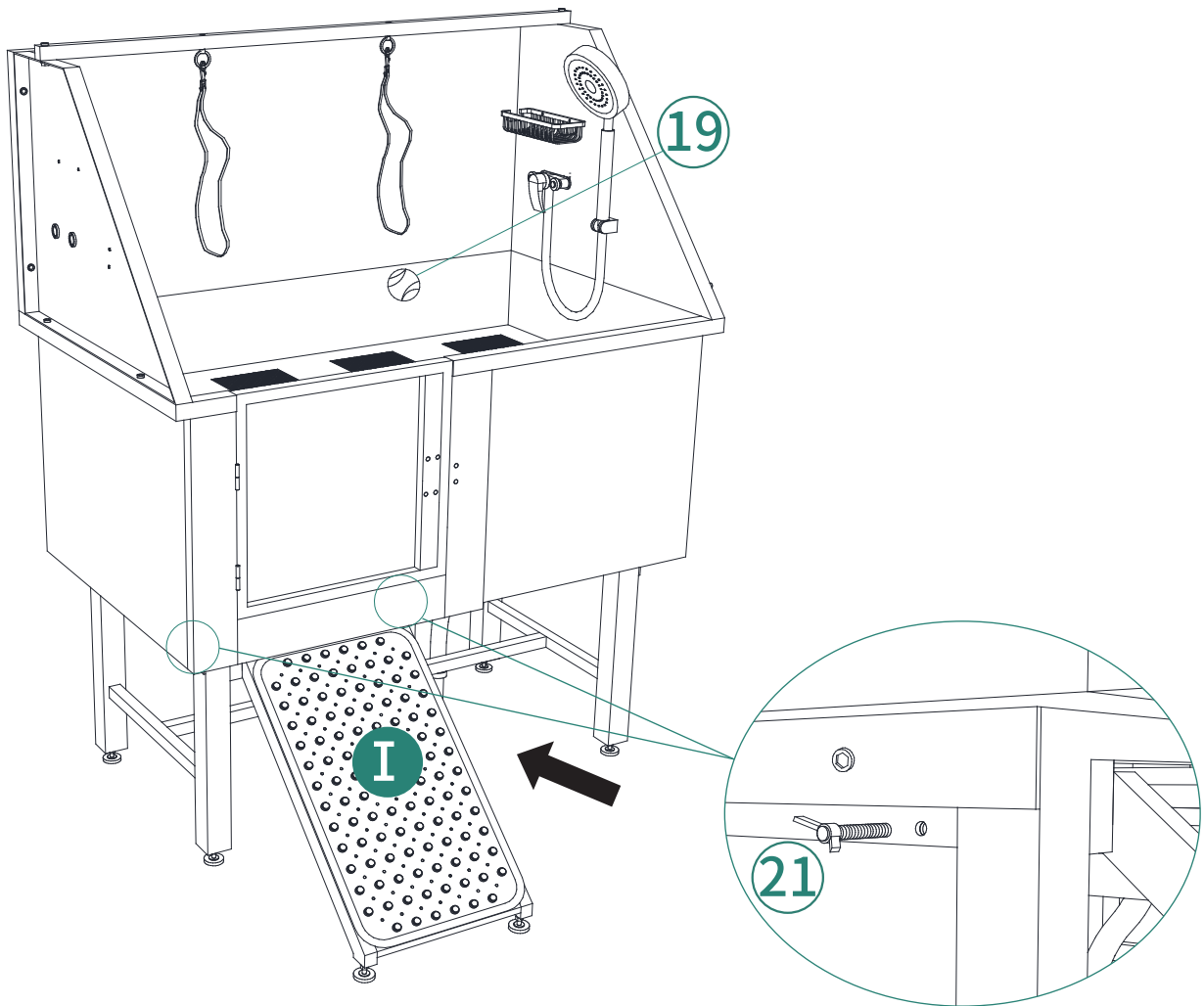
I 1pc



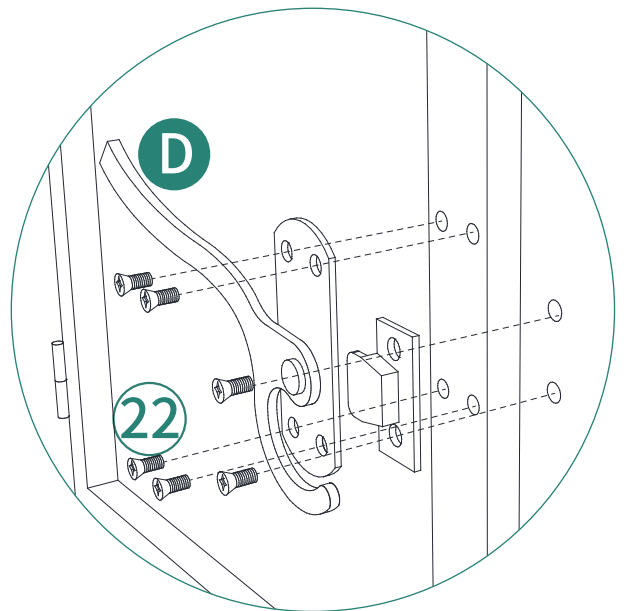
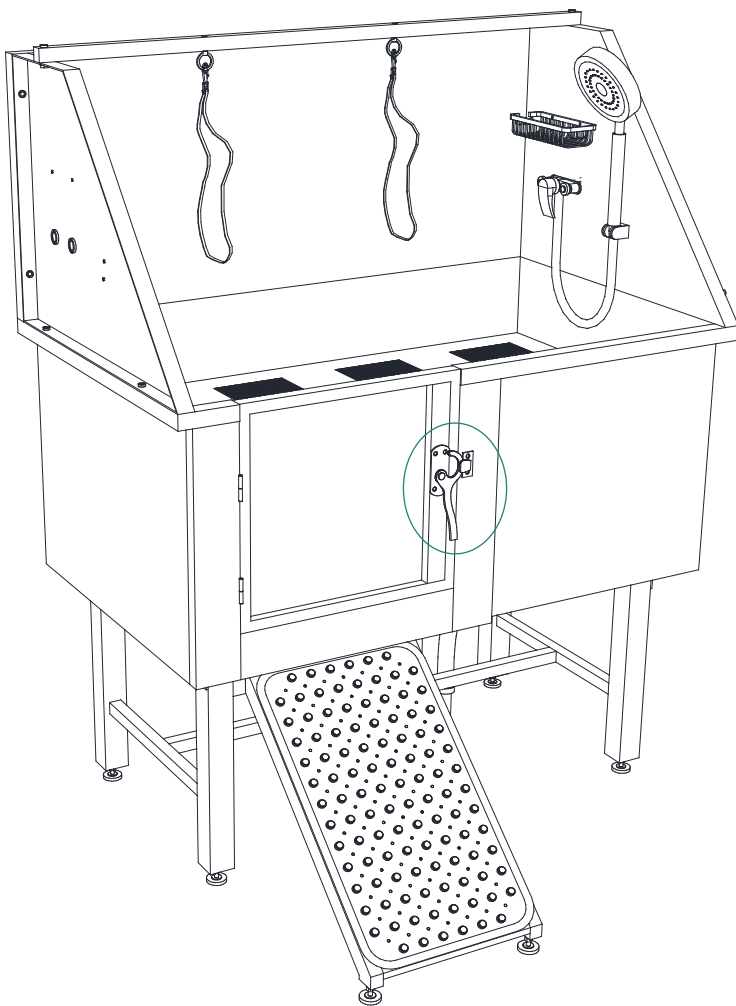
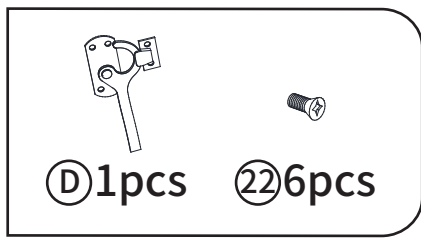
19 1pc



21 2pcs



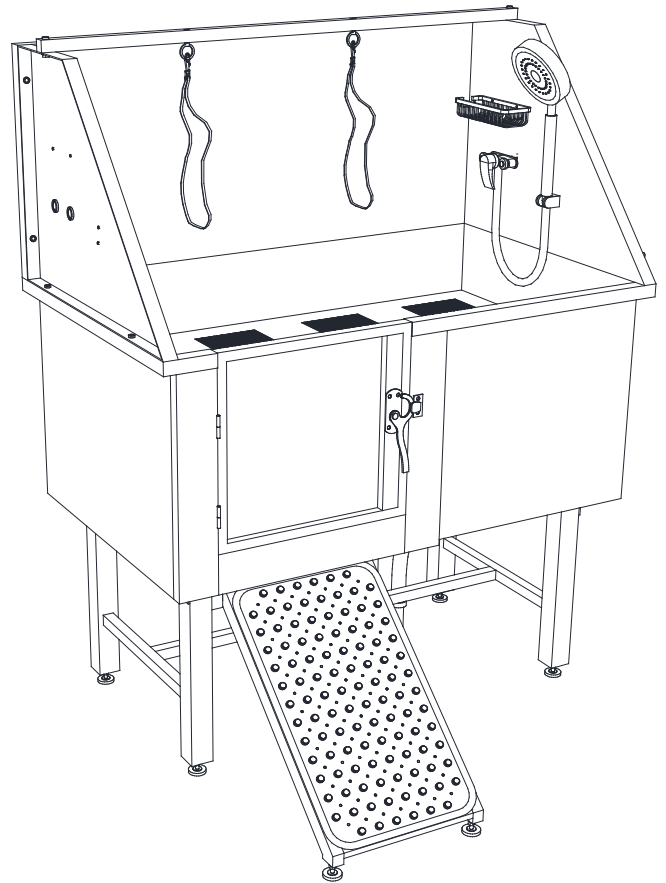
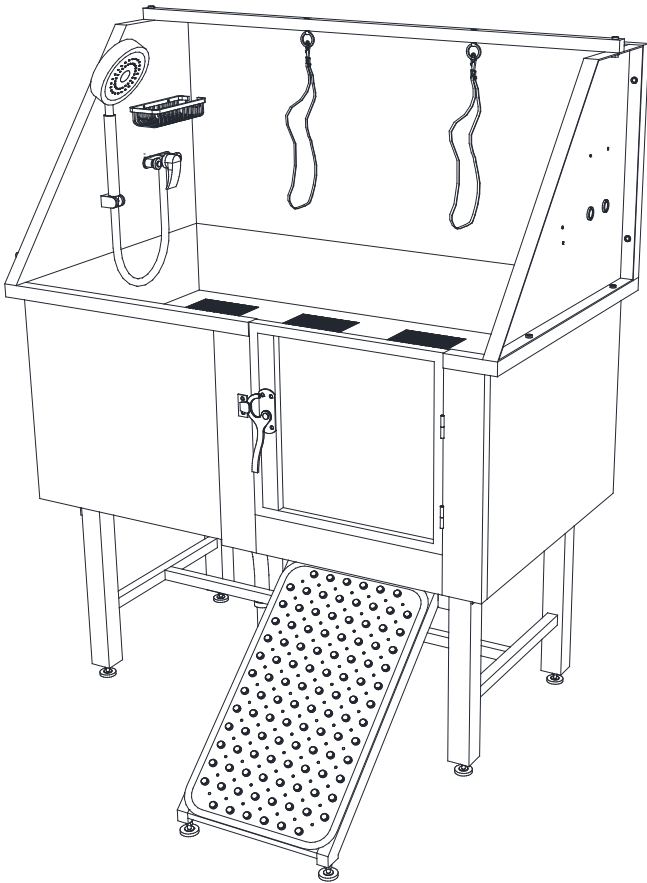
11



12

IMISSS-3023
IMISSS-3024

IMISSS-3025
IMISSS-3026



Installation Completed