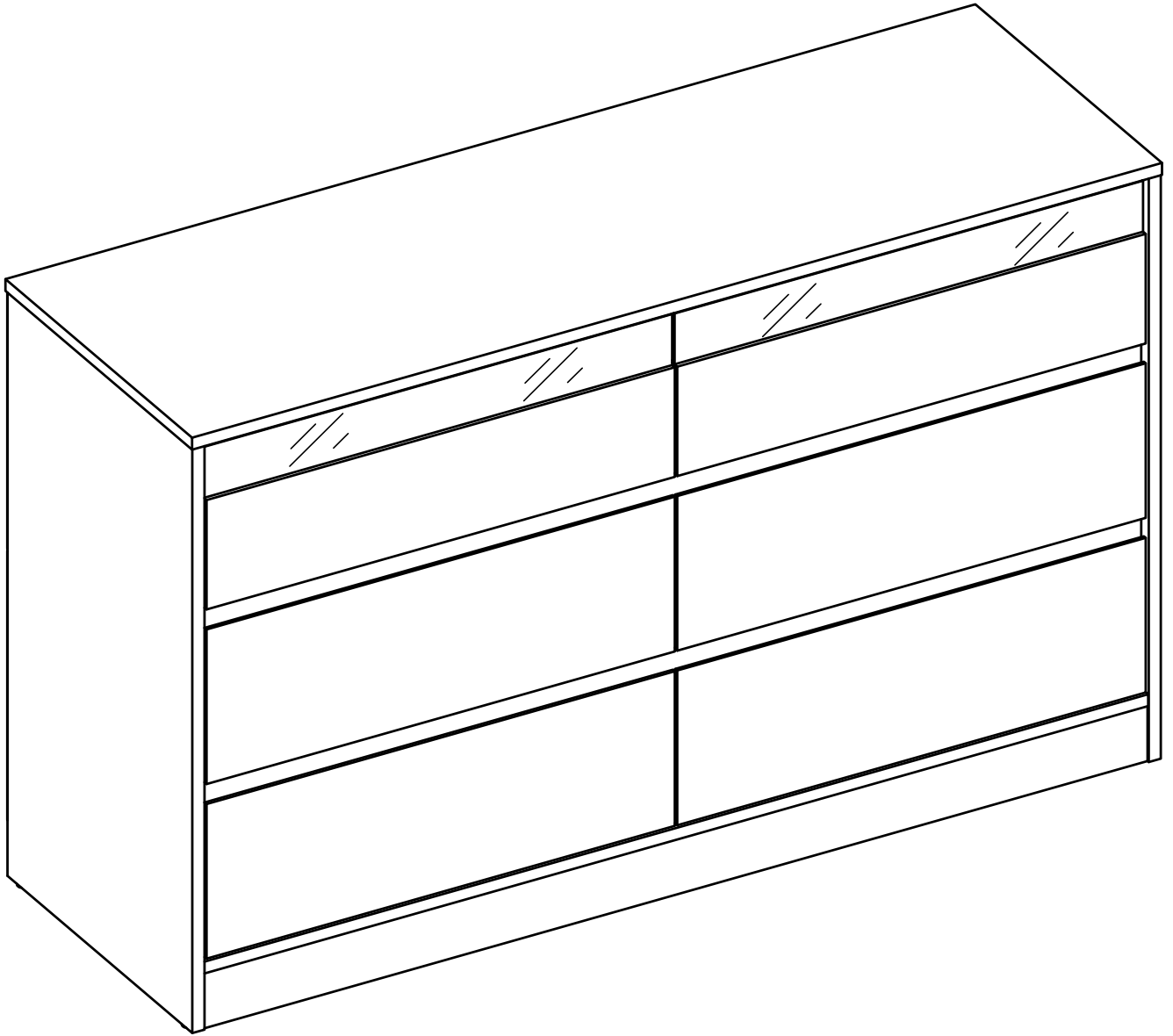


ASSEMBLY INSTRUCTION



EN

Thank you for purchase on our products, please contact us if you have difficulty with assembly or need replacement parts. 24-hour customer service will be available to help you at any time.

WARNING

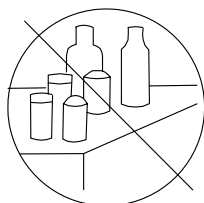
Serious or fatal injury may occur from unexpected assembly or use.

1. During the assembly process, keep all parts away from babies or children.
2. Always securely fix this product to the wall. Make sure the wall area to be drilled is free from hidden electrical wires, water and gas pipes.
3. Use of tip-over restraints may only reduce, but not eliminate the risk of tip over
4. Unless specially designed to accommodate, do not set heavy objects on top of this product.
5. Place the heaviest items on the lowest shelf.
6. Never allow children to climb or bang on drawers, doors or shelves.

Important Tips and Maintenance



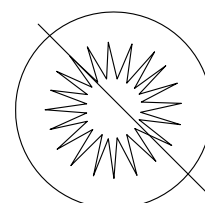
1. Keep children and animals away from working area as smaller parts may cause choking if swallowed.



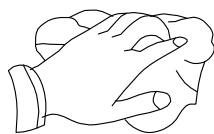
2. Never place liquids or anything damp upon furniture as it will mark. Ensure a coaster or running is beneath.



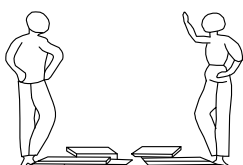
3. Never use ammonia based cleaning products as it will damage the finish.



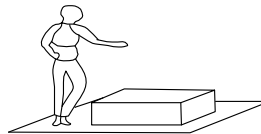
4. To avoid fading, keep furniture out of direct sunlight.



5. Use a soft cloth (dry cloth) when wiping or cleaning surfaces.



6. Two person are required. Please two or more person for assembly this unit.



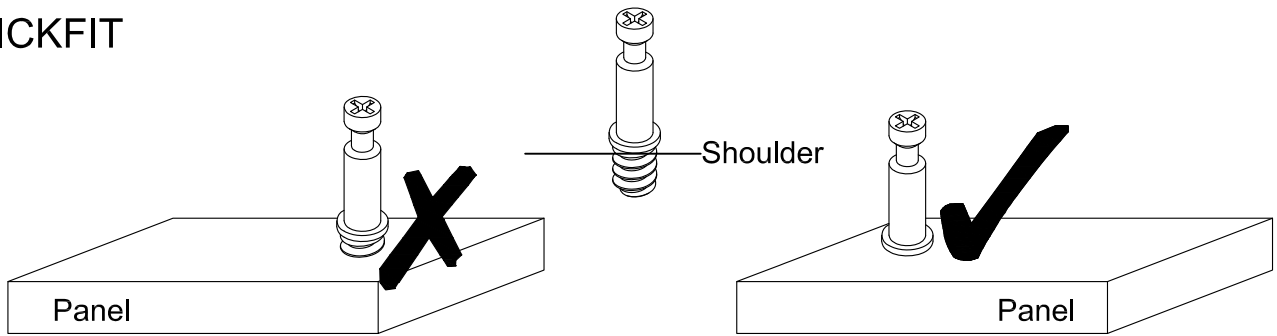
7. Lay a soft matt down to protect the furniture piece before and during assembly.

Before Assembly

Tips Before Your Start:

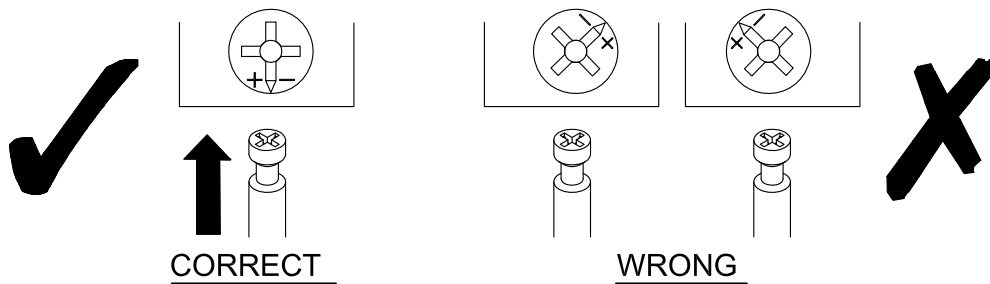
- Remove all wrapping material, including staples & packing straps before you start to assemble.
- DO NOT tighten all screws and bolts until completely assembled.
- Keep all hardware parts out of reach of children

QUICKFIT



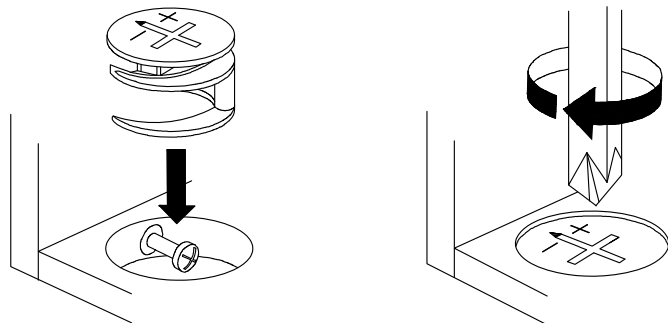
Tighten quickfit until shoulder is flush with panel. Do not overtighten or undertighten.

CAM LOCK



When fitting cam lock, ensure starting position is correct before you insert connecting quickfit.



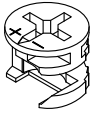

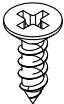
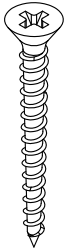


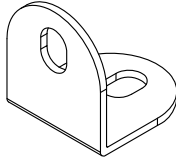

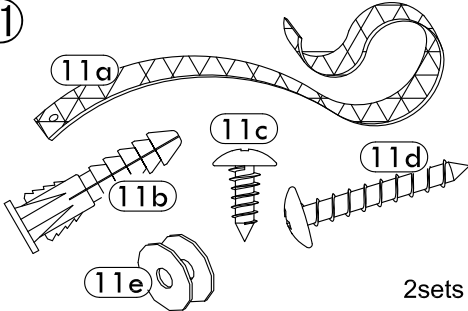
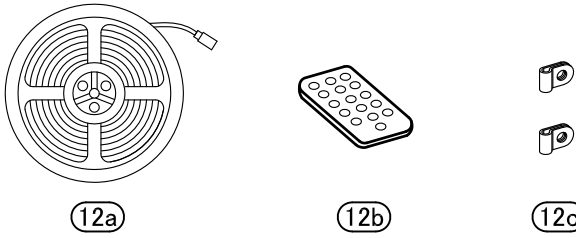
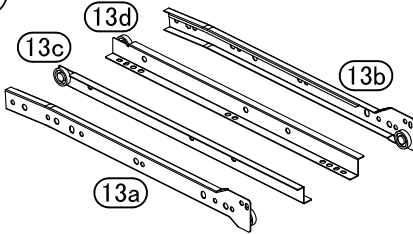
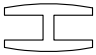

Quickfit head should be in the centre of the cam lock when the two panels are joined. Cam lock should be inserted before quickfit.



Turn cam lock clockwise to tighten.

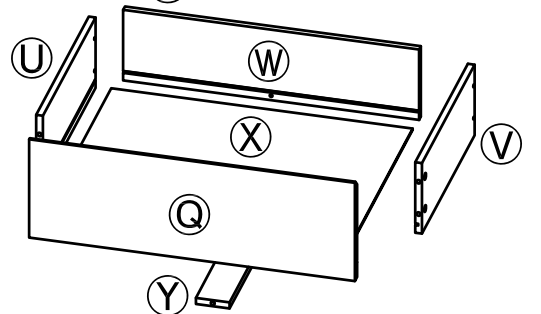
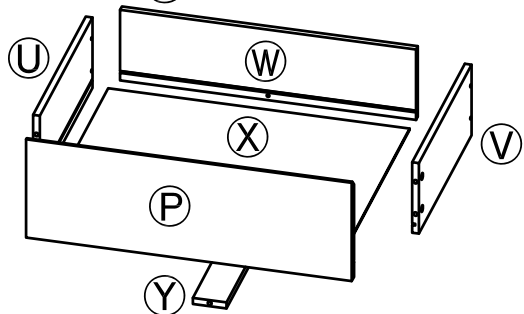
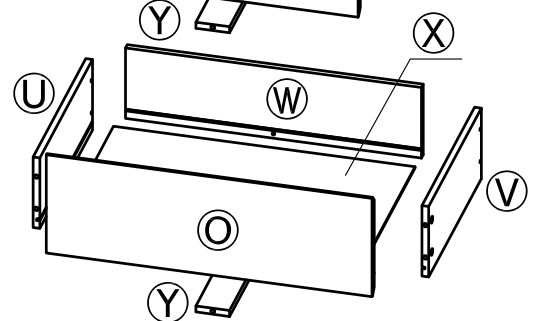
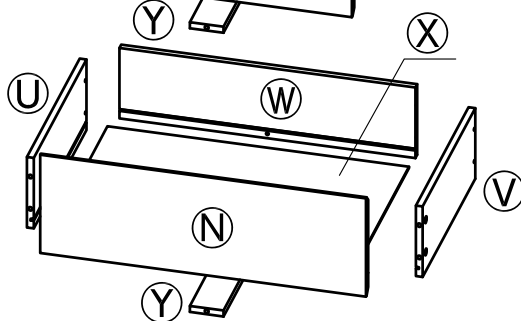
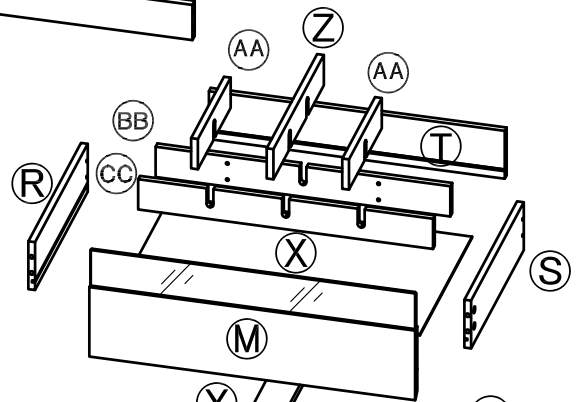
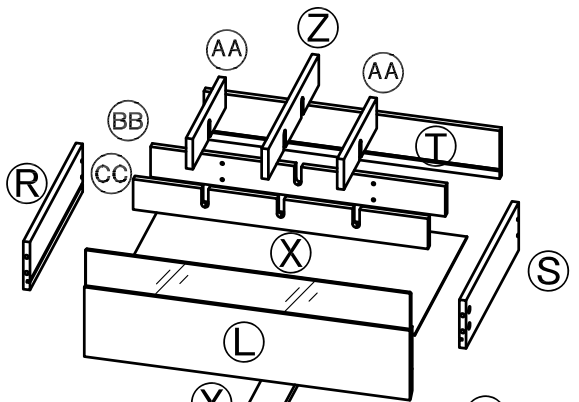
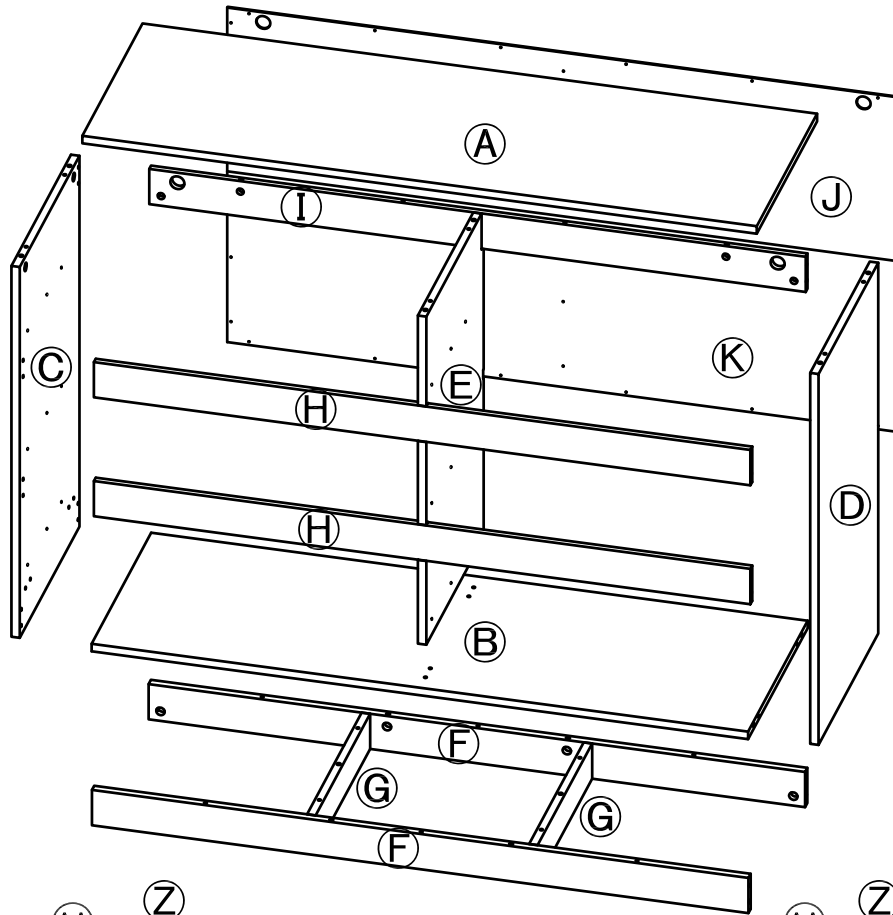
Hardware List

Please check you have all the fittings part or tools are listed in below.

<p>①</p>  <p>6*27mm 62pcs</p>	<p>②</p>  <p>15*12mm 24pcs</p>	<p>③</p>  <p>12*10mm 38pcs</p>	<p>④</p>  <p>5*30mm 34pcs</p>	<p>⑤</p>  <p>3.5*11mm 72pcs</p>
<p>⑥</p>  <p>4*38mm 40pcs</p>	<p>⑦</p>  <p>4*12mm 4pcs</p>	<p>⑧</p>  <p>3*12mm 36pcs</p>	<p>⑨</p>  <p>20*20*18mm 2pcs</p>	<p>⑩</p>  <p>23*4mm 4pcs</p>
<p>⑪</p>  <p>2sets</p>		<p>⑫</p>  <p>1set</p>		
<p>⑬</p>  <p>350mm 6sets</p>	<p>⑭</p>  <p>1166mm 1pc</p>	<p>⑮</p>  <p>1pc</p>		

Component Panels & Part List

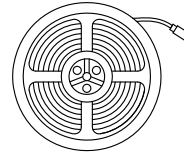
Please check you have all the panels are listed below.



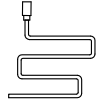
STEP 1

INSTALLATION TIPS:

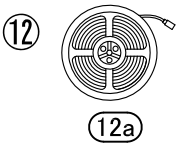
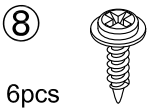
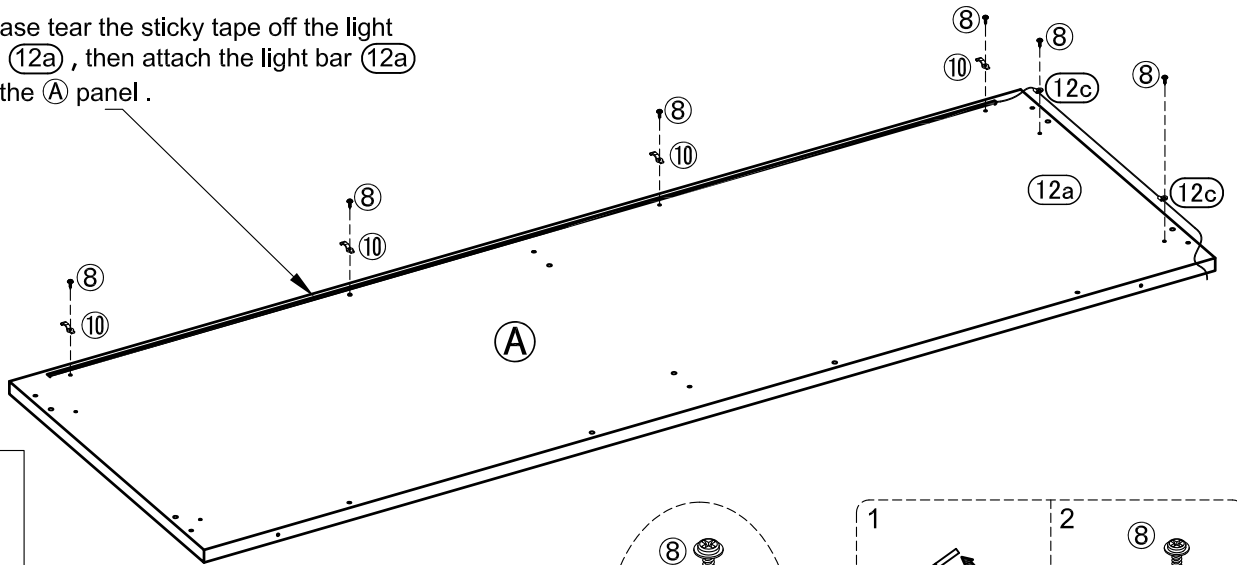
Please refer to your electrical outlet location, to choose to attach the light bar on the left or right side wire hole.



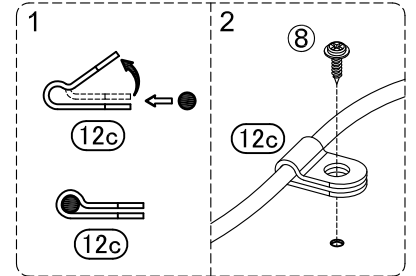
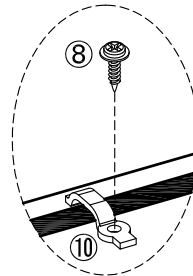
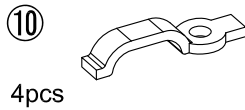
Pull out and unfold



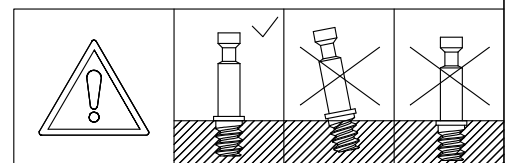
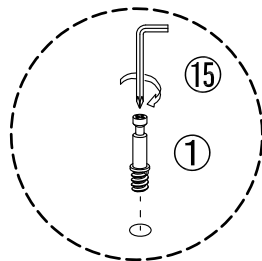
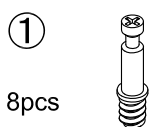
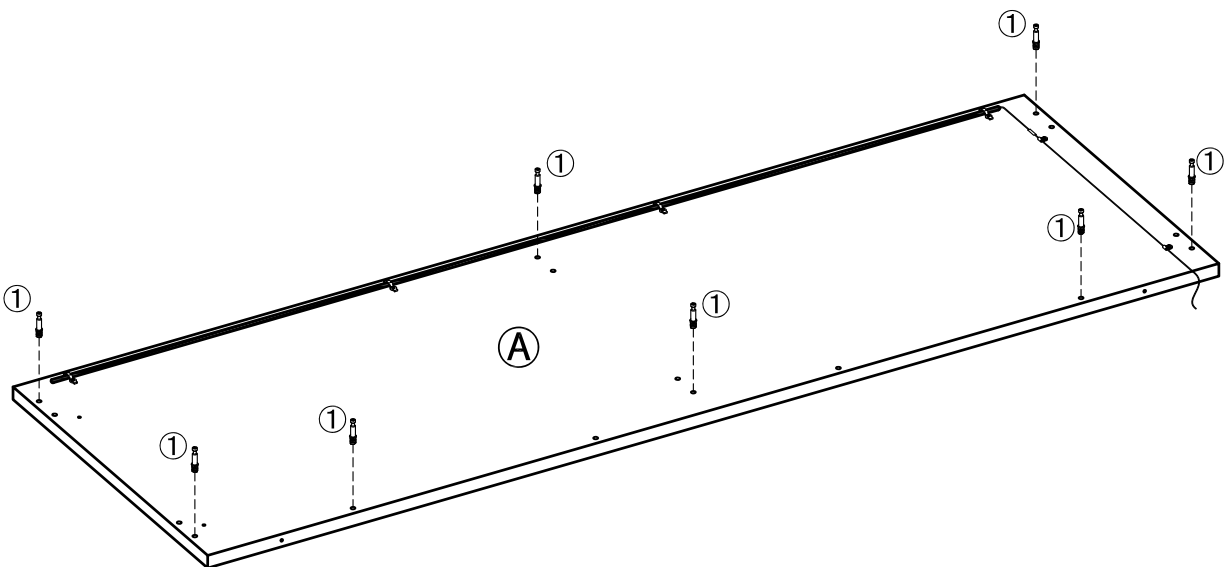
Please tear the sticky tape off the light bar (12a), then attach the light bar (12a) on the (A) panel.



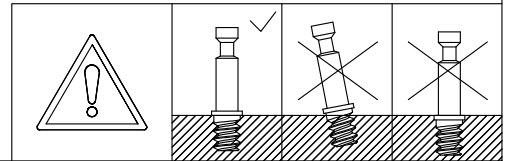
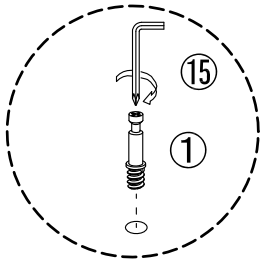
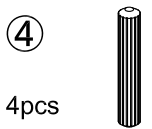
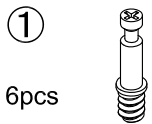
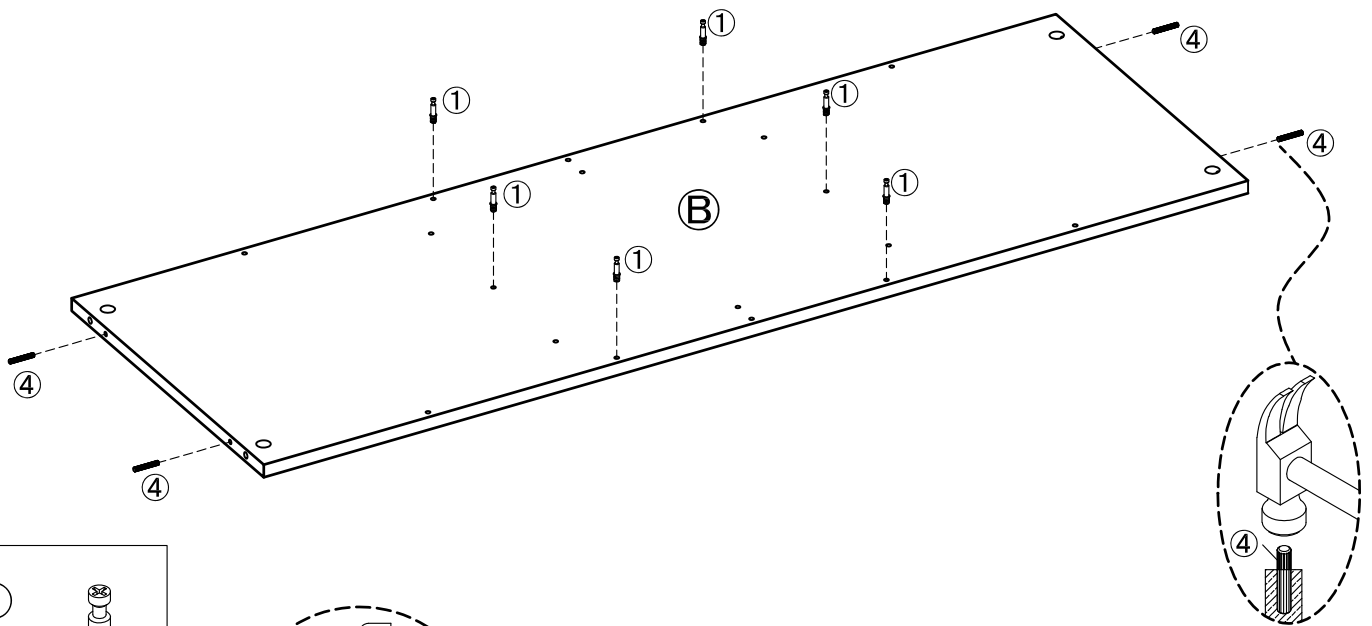
1set



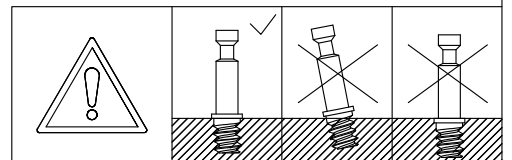
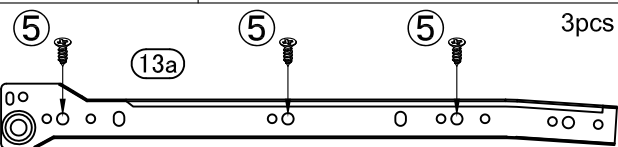
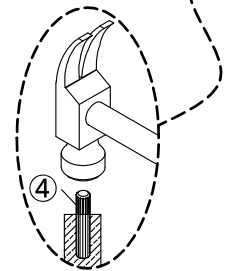
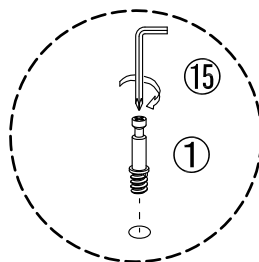
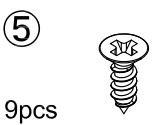
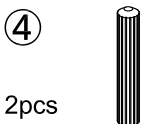
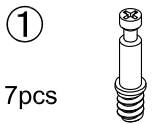
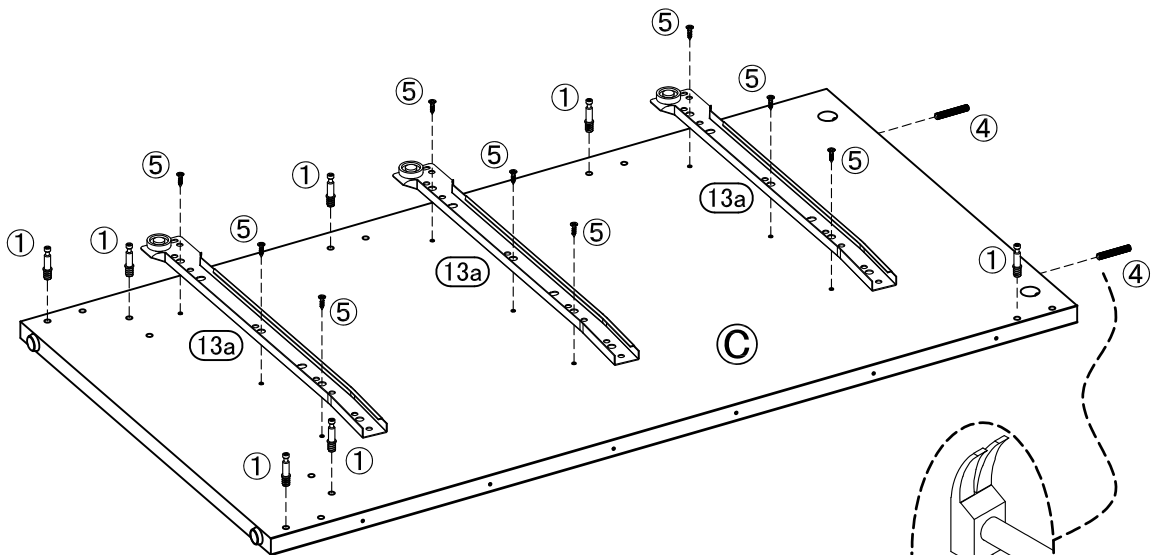
STEP 2






STEP 3

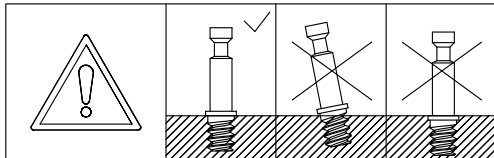
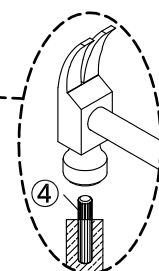
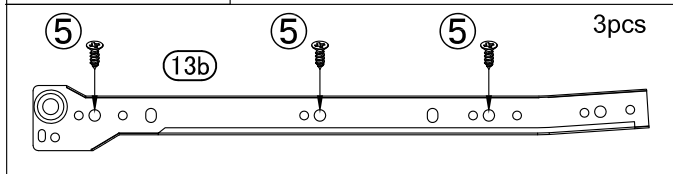
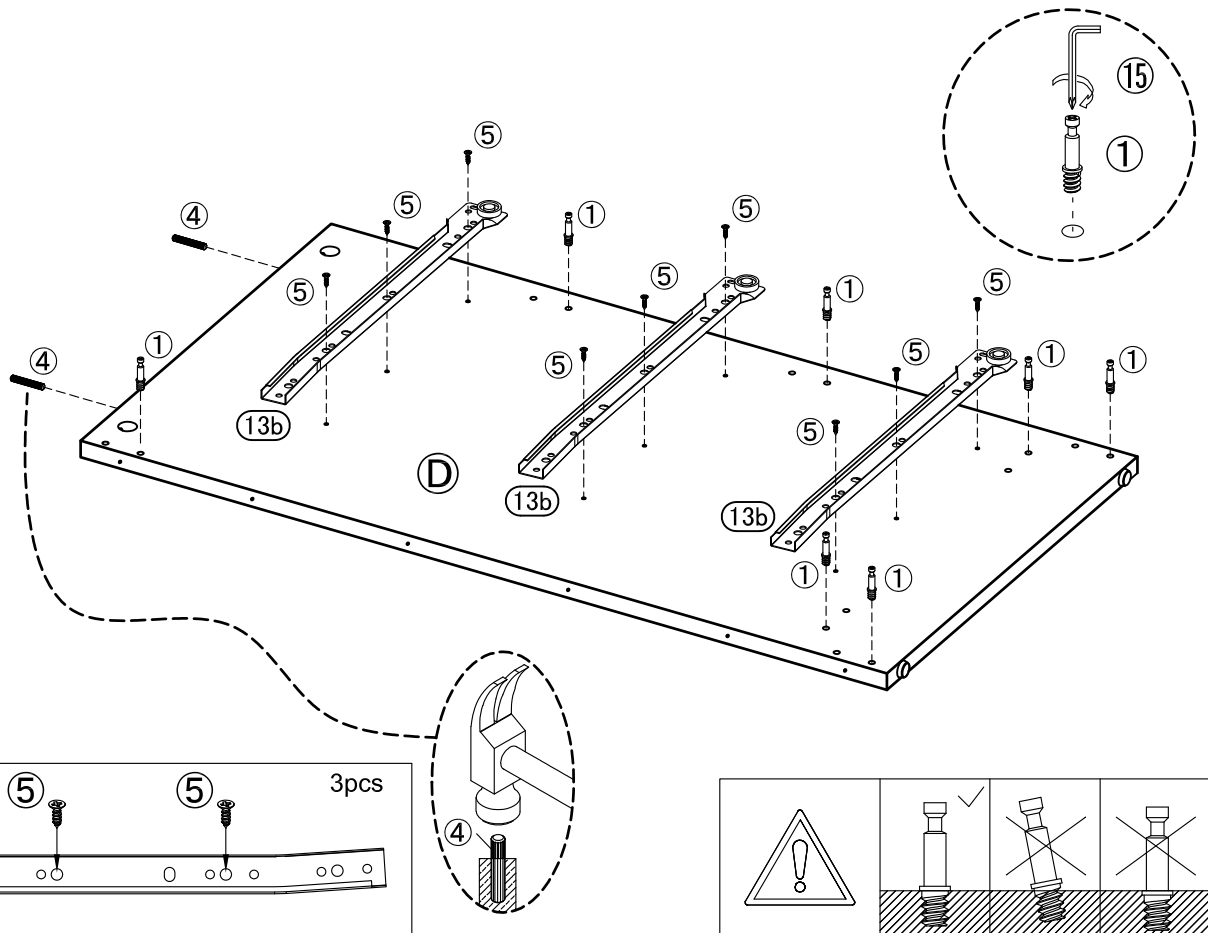


STEP 4





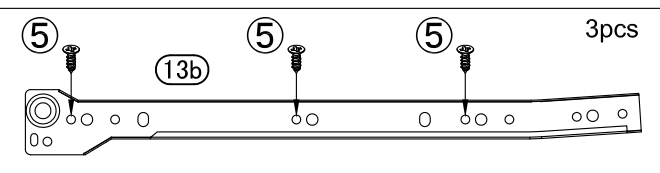
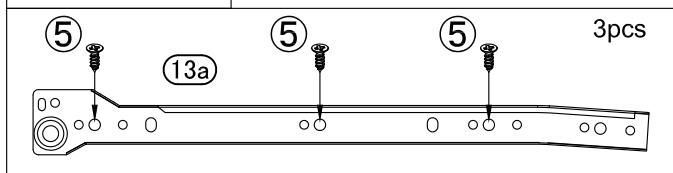
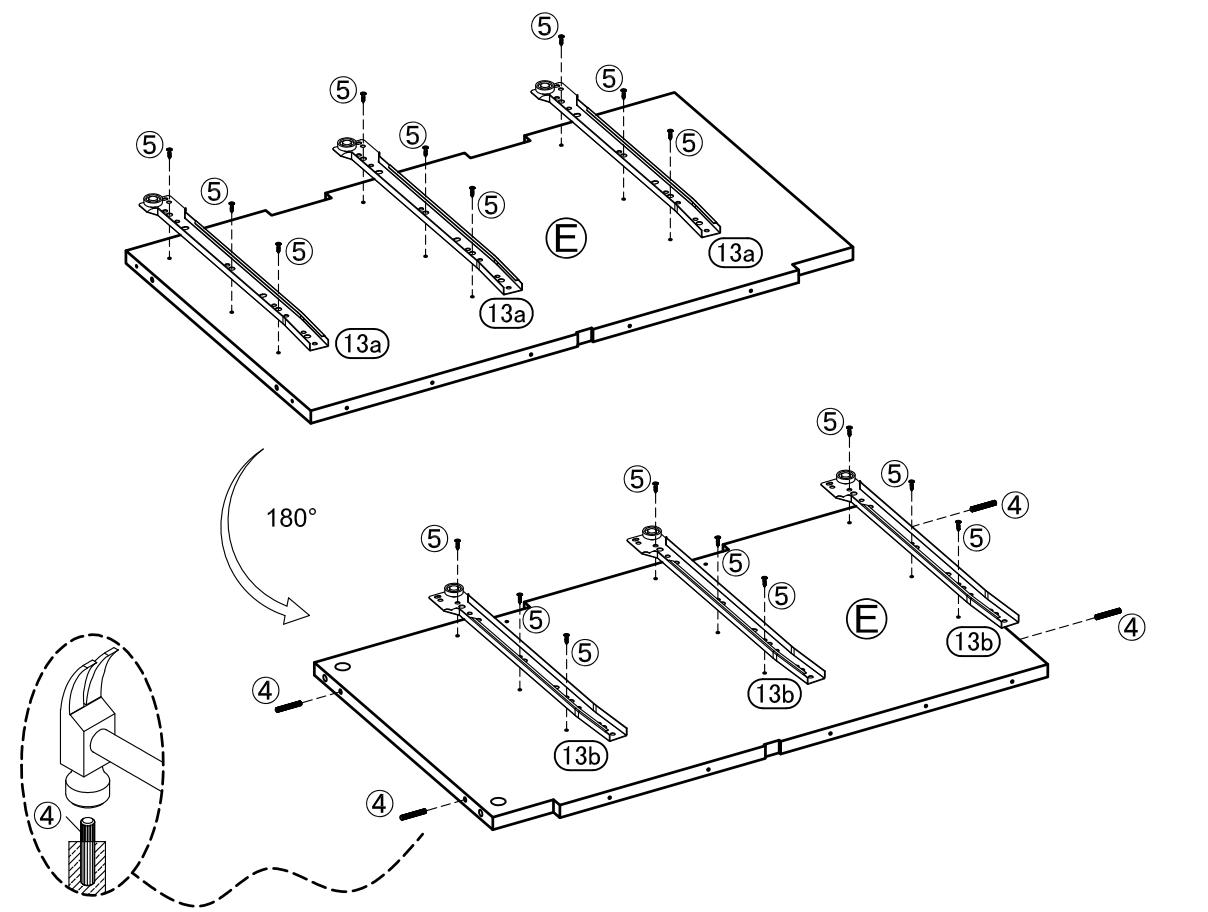
STEP 5

- ①  7pcs
- ④  2pcs
- ⑤  9pcs

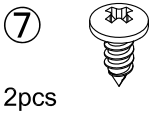
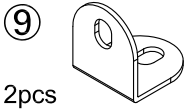
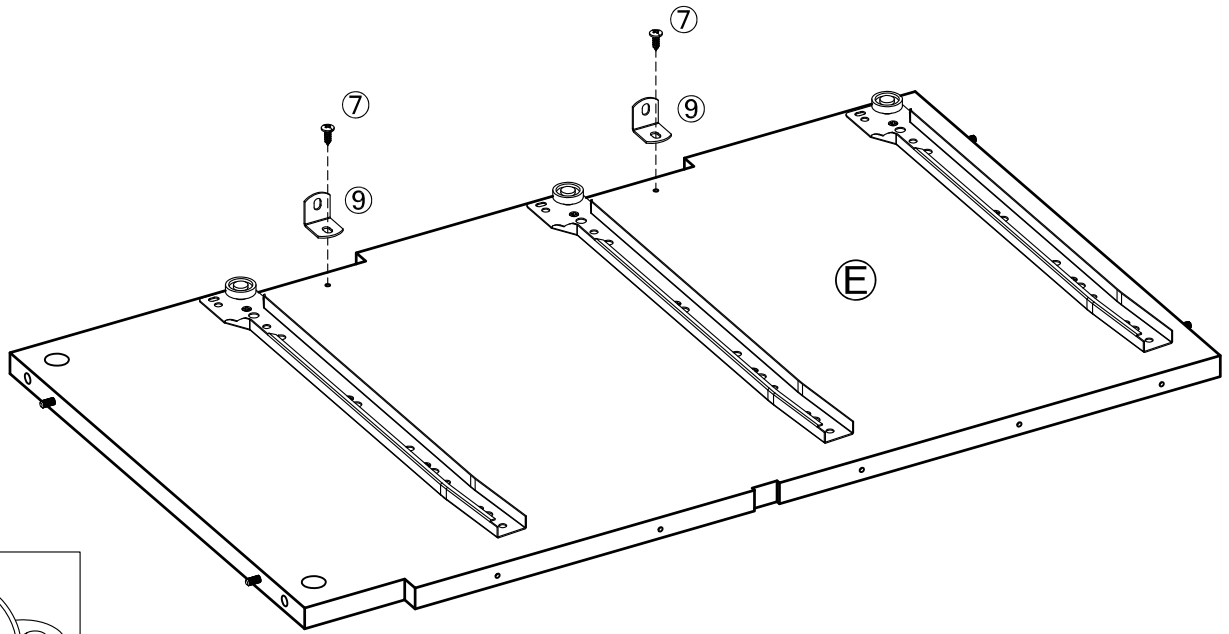


STEP 6

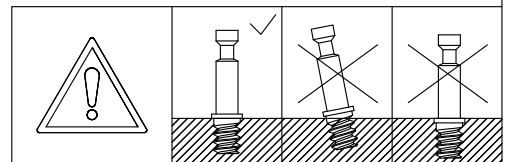
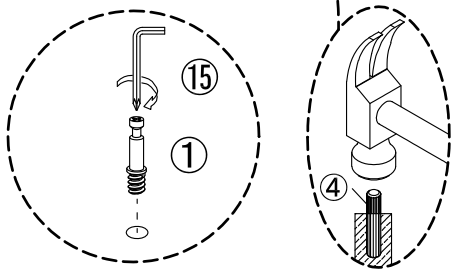
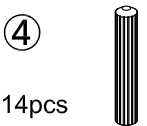
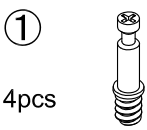
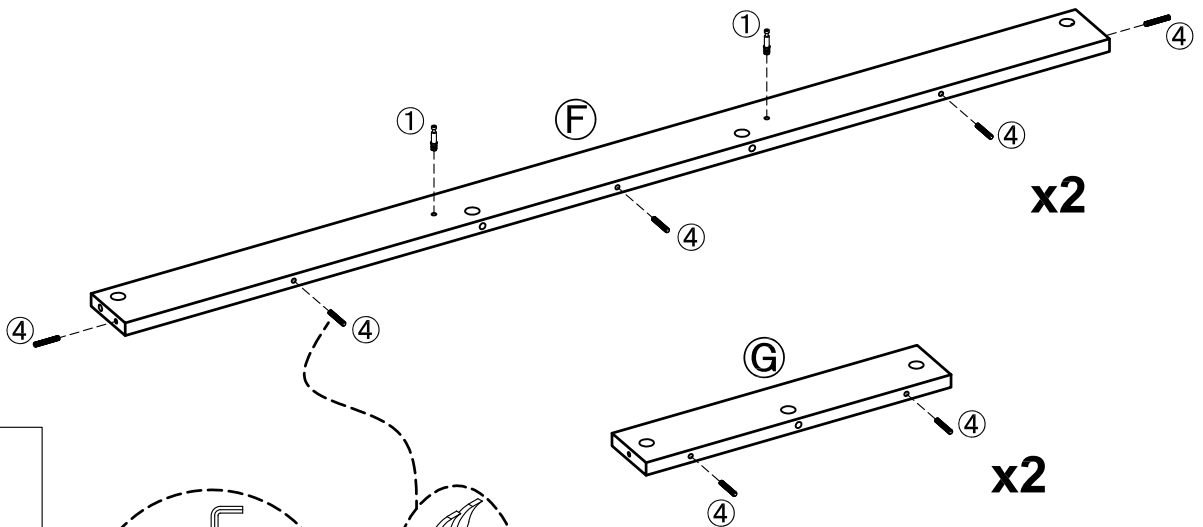
- ④  4pcs
- ⑤  18pcs



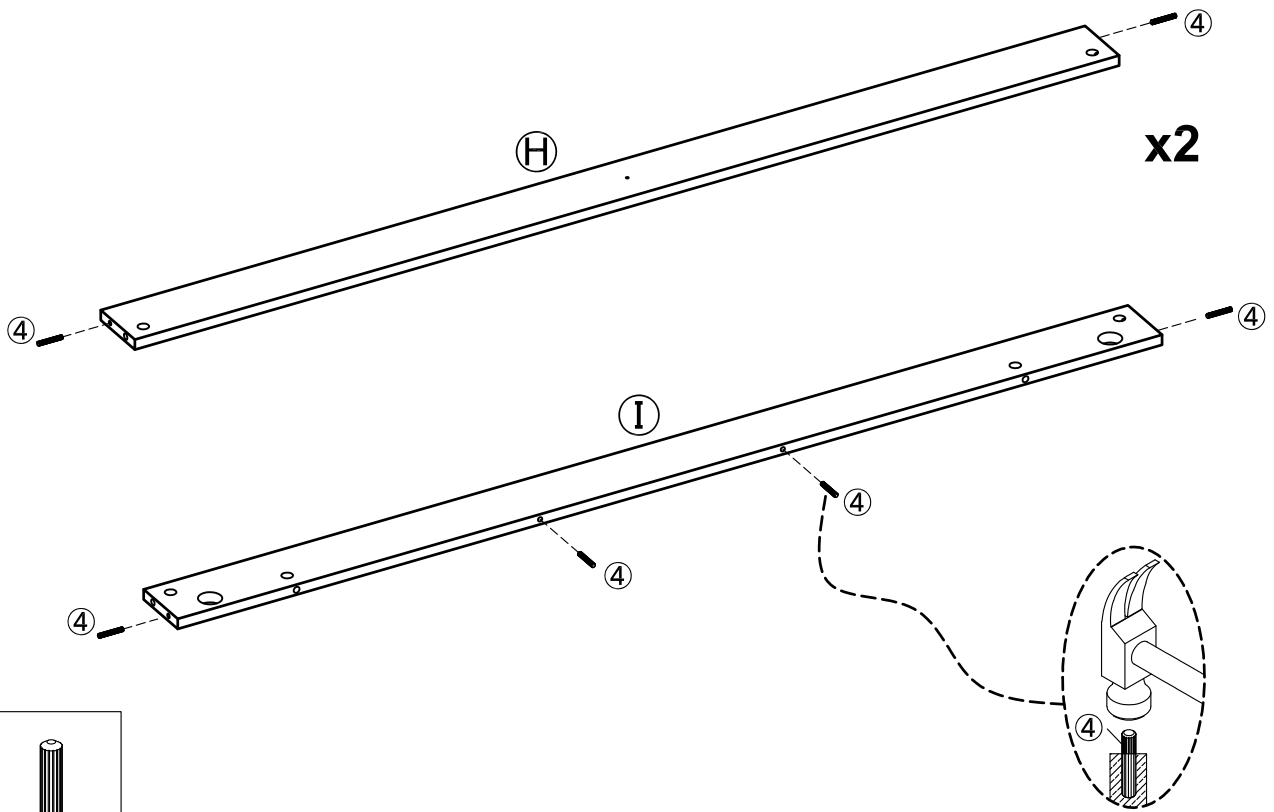
STEP 7



STEP 8

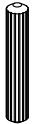


STEP 9

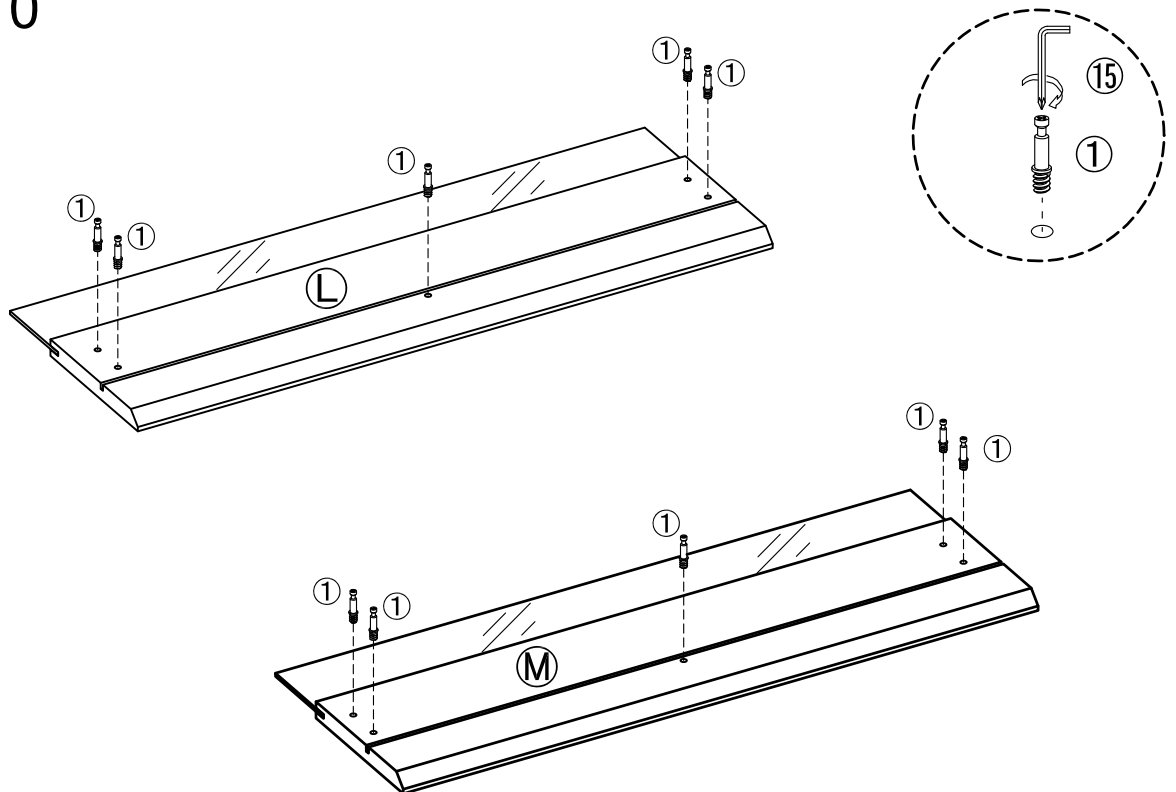


④

8pcs

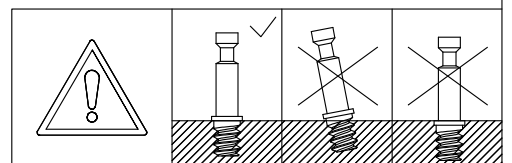


STEP 10

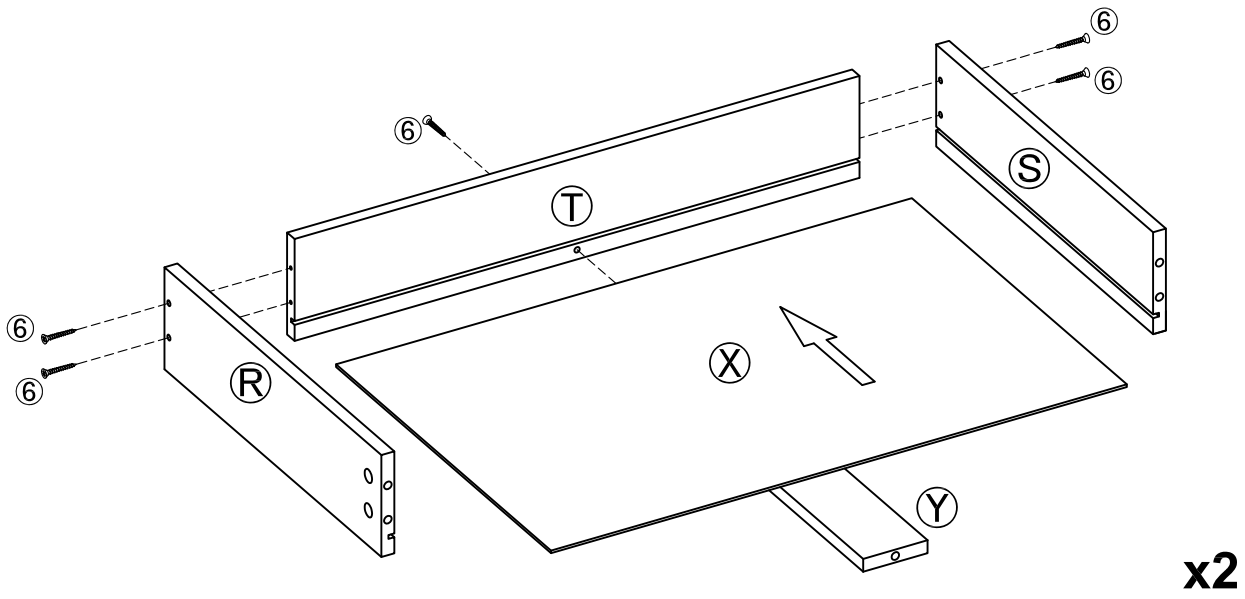


①

10pcs



STEP 11

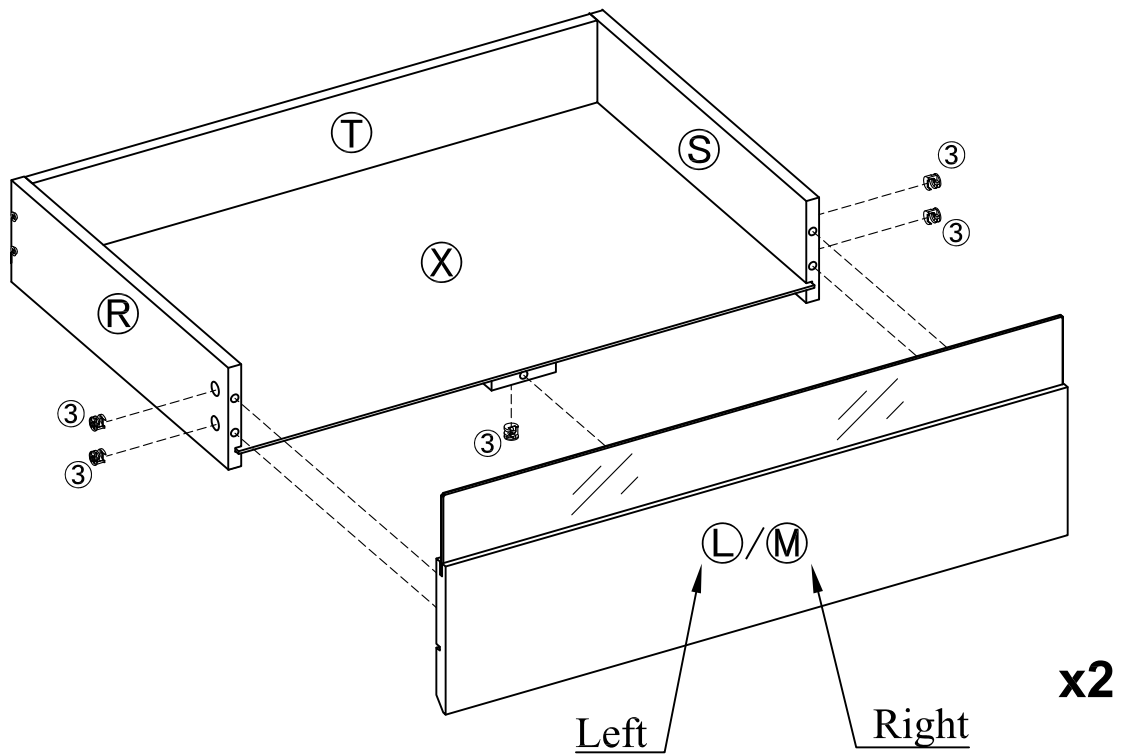


6

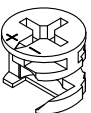


10pcs

STEP 12

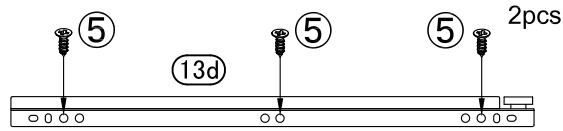
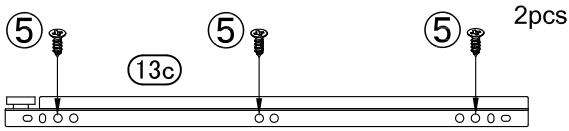
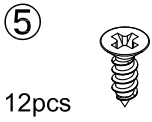
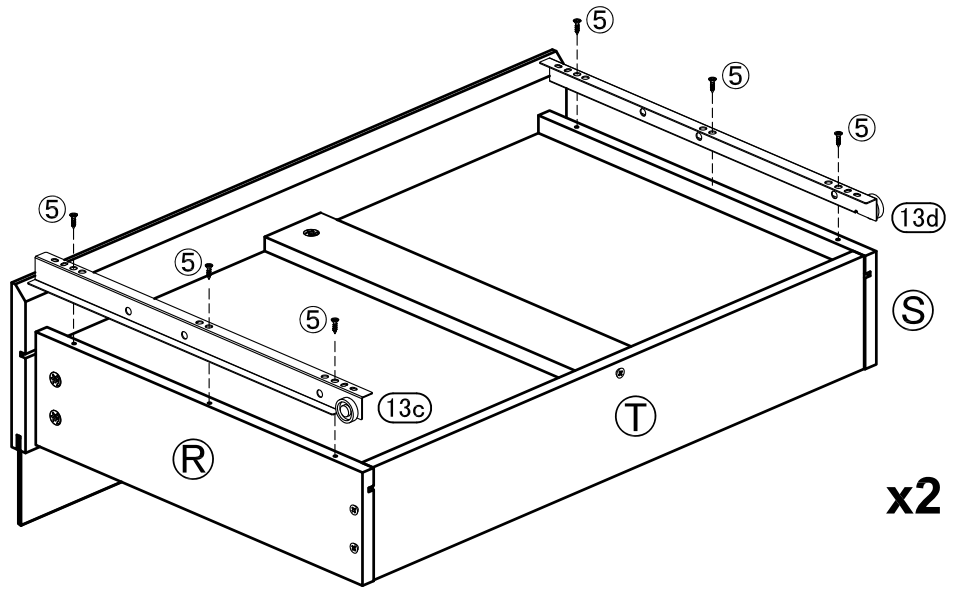


3

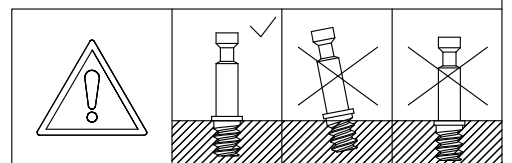
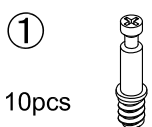
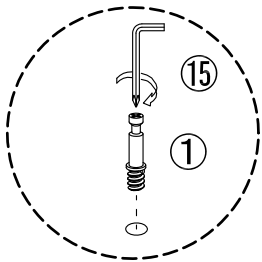
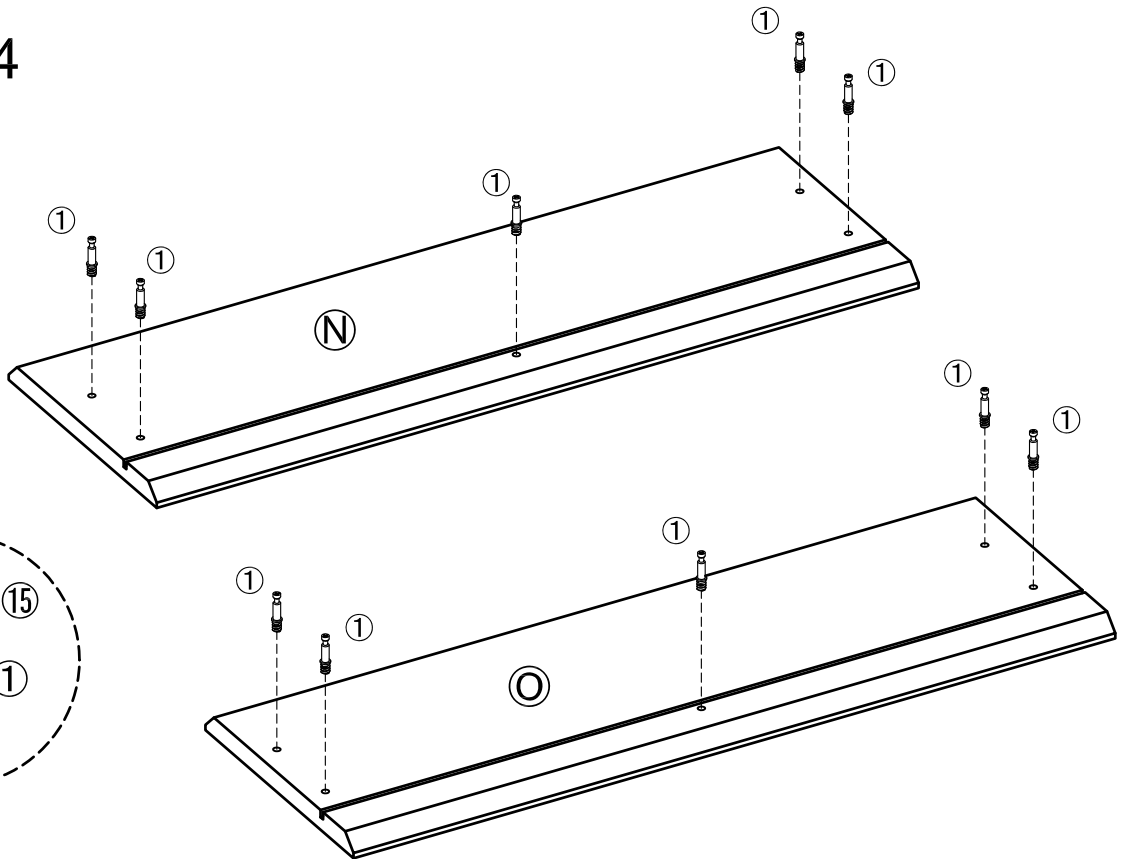


10pcs

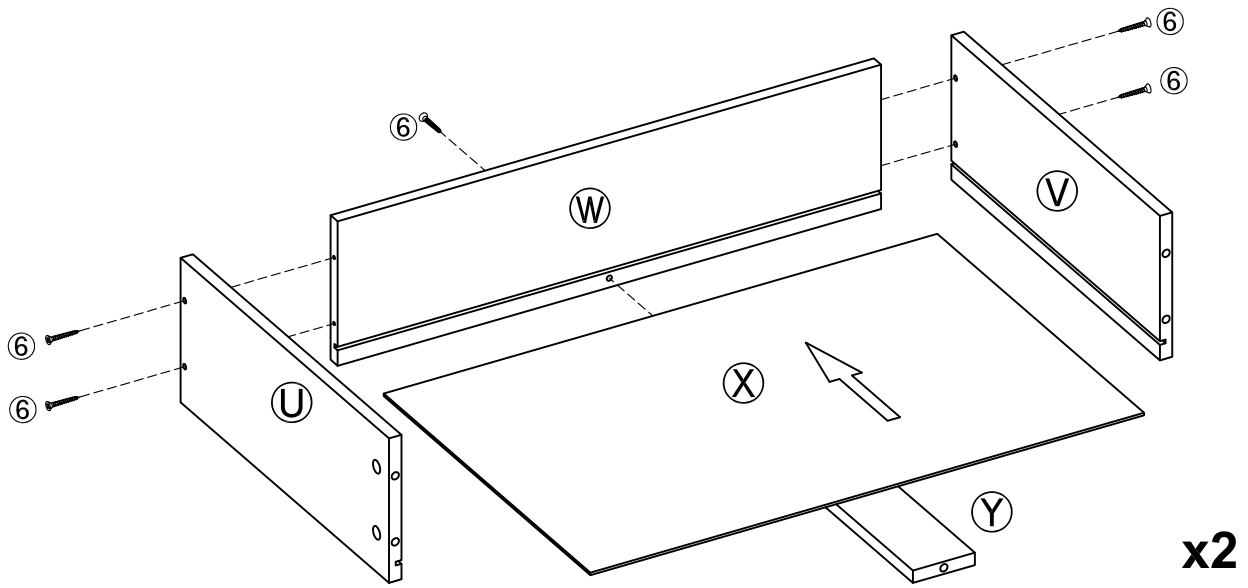
STEP 13



STEP 14



STEP 15

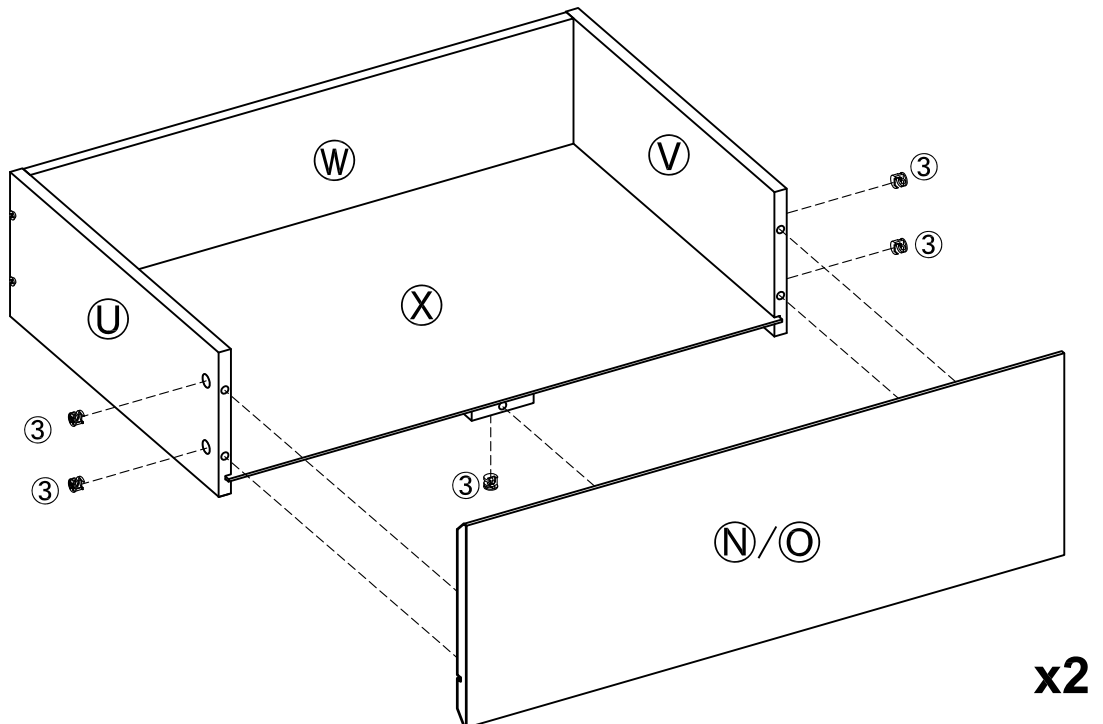


6

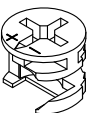


10pcs

STEP 16

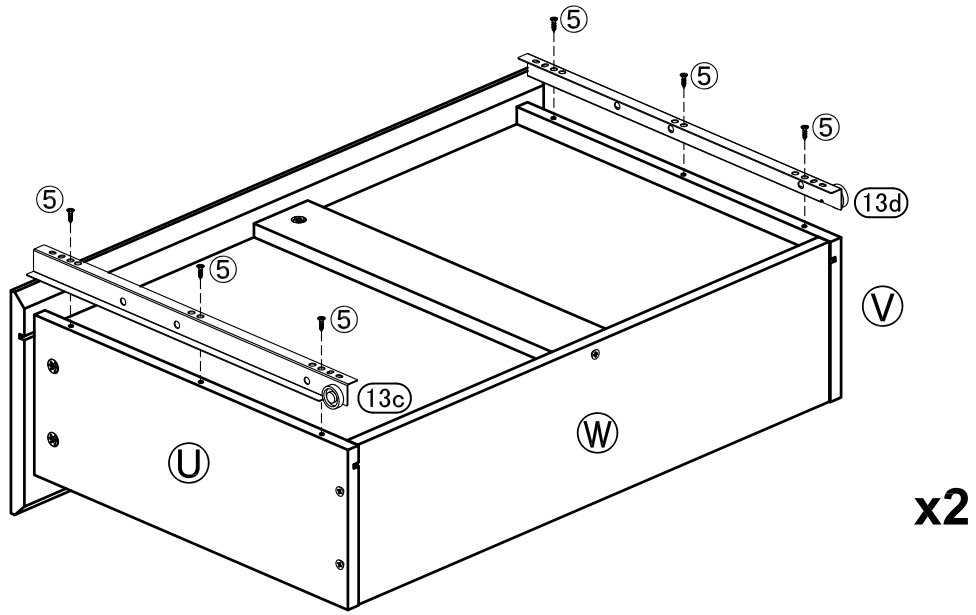


3

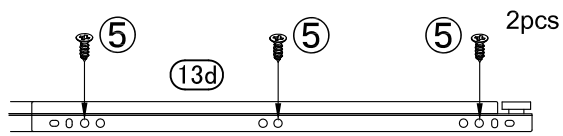
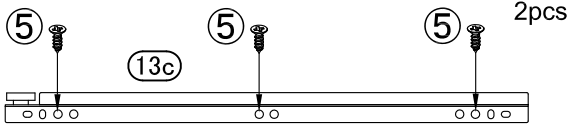


10pcs

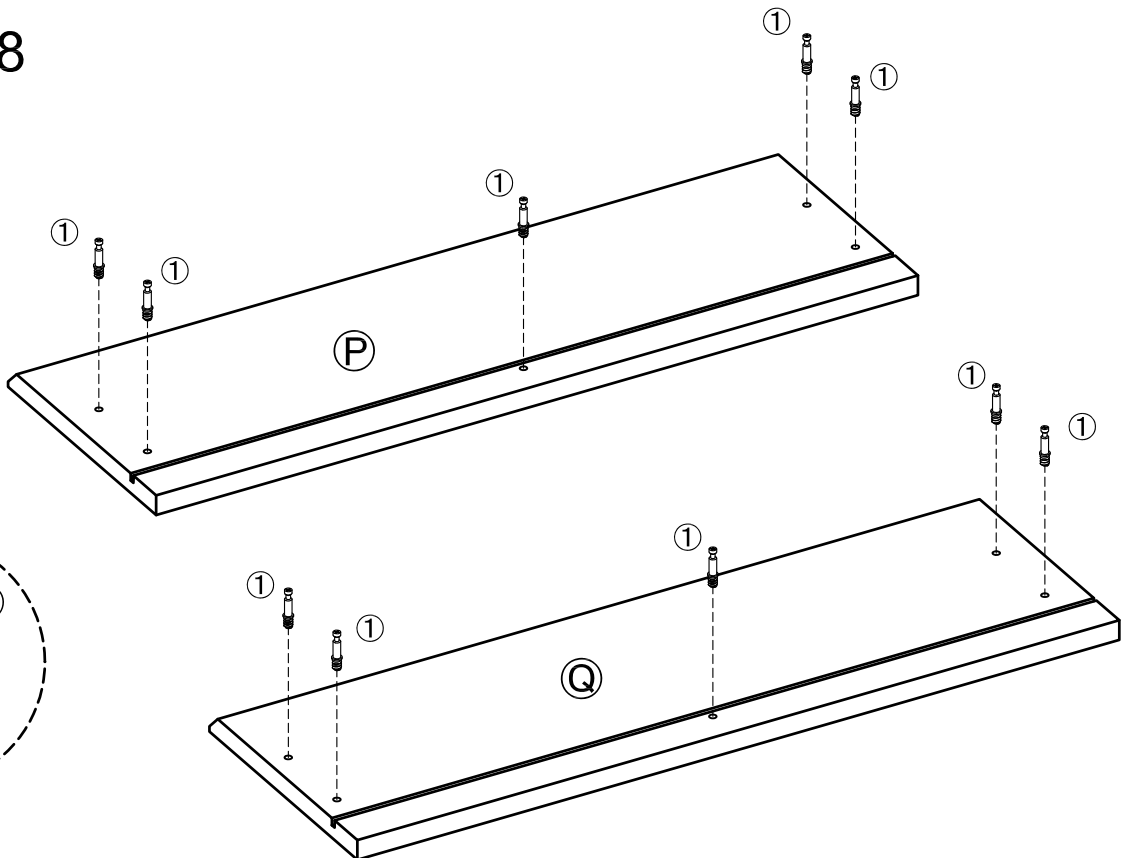
STEP 17



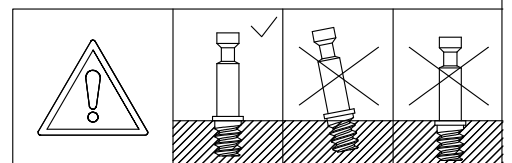
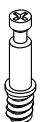
5
12pcs



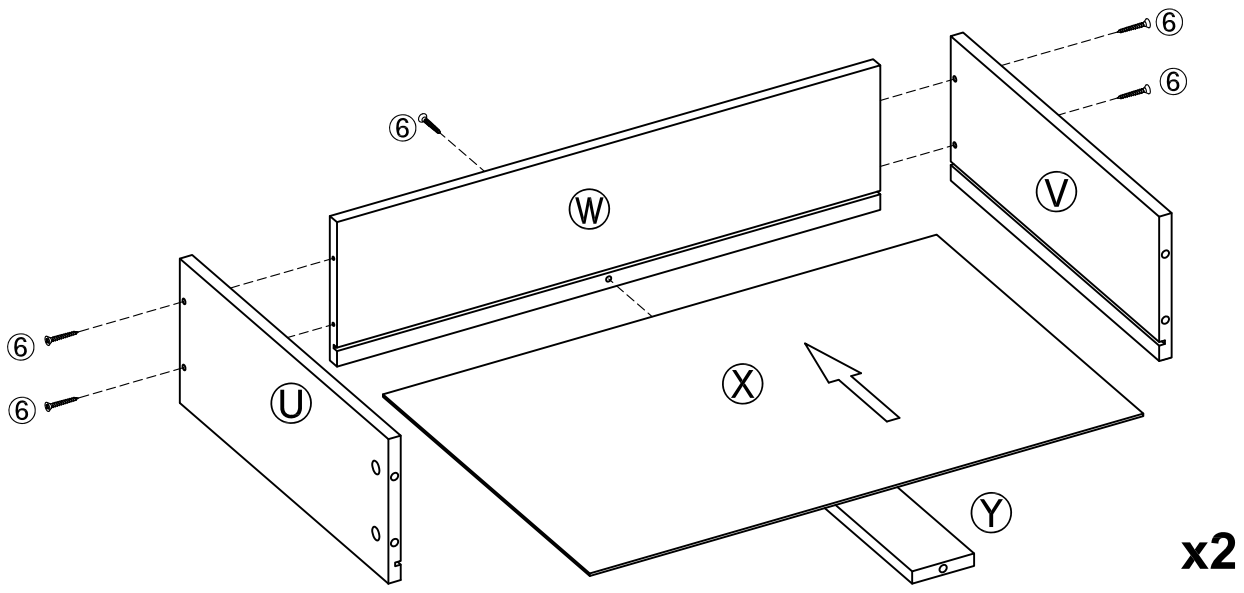
STEP 18



1
10pcs



STEP 19

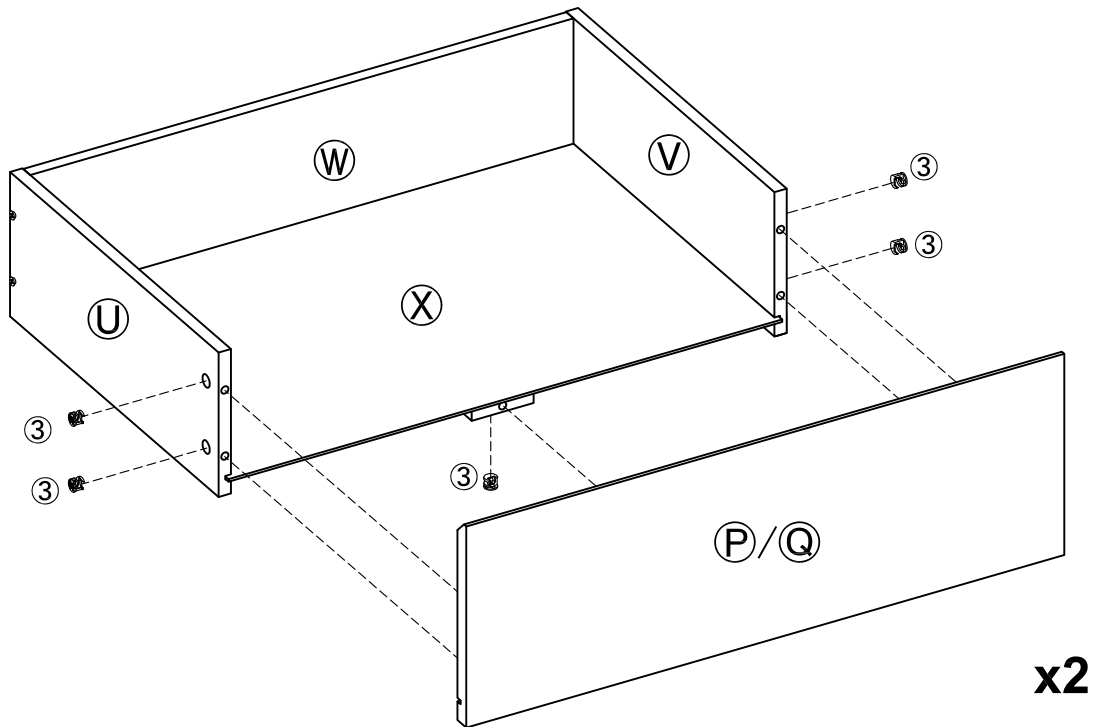


6

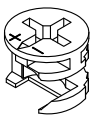


10pcs

STEP 20

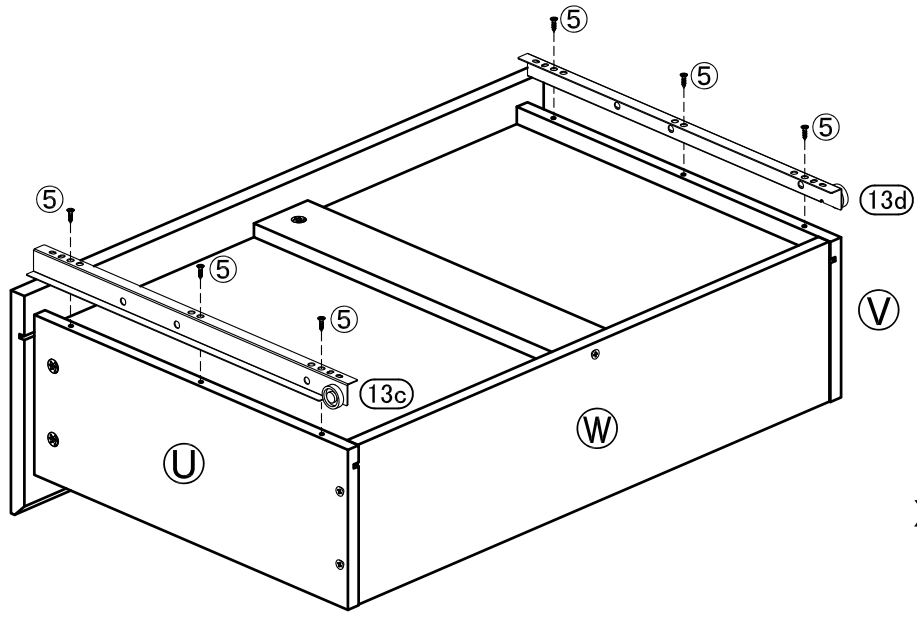


3



10pcs

STEP 21

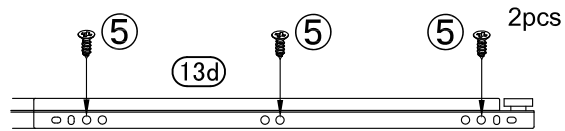
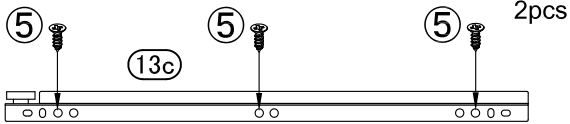


x2

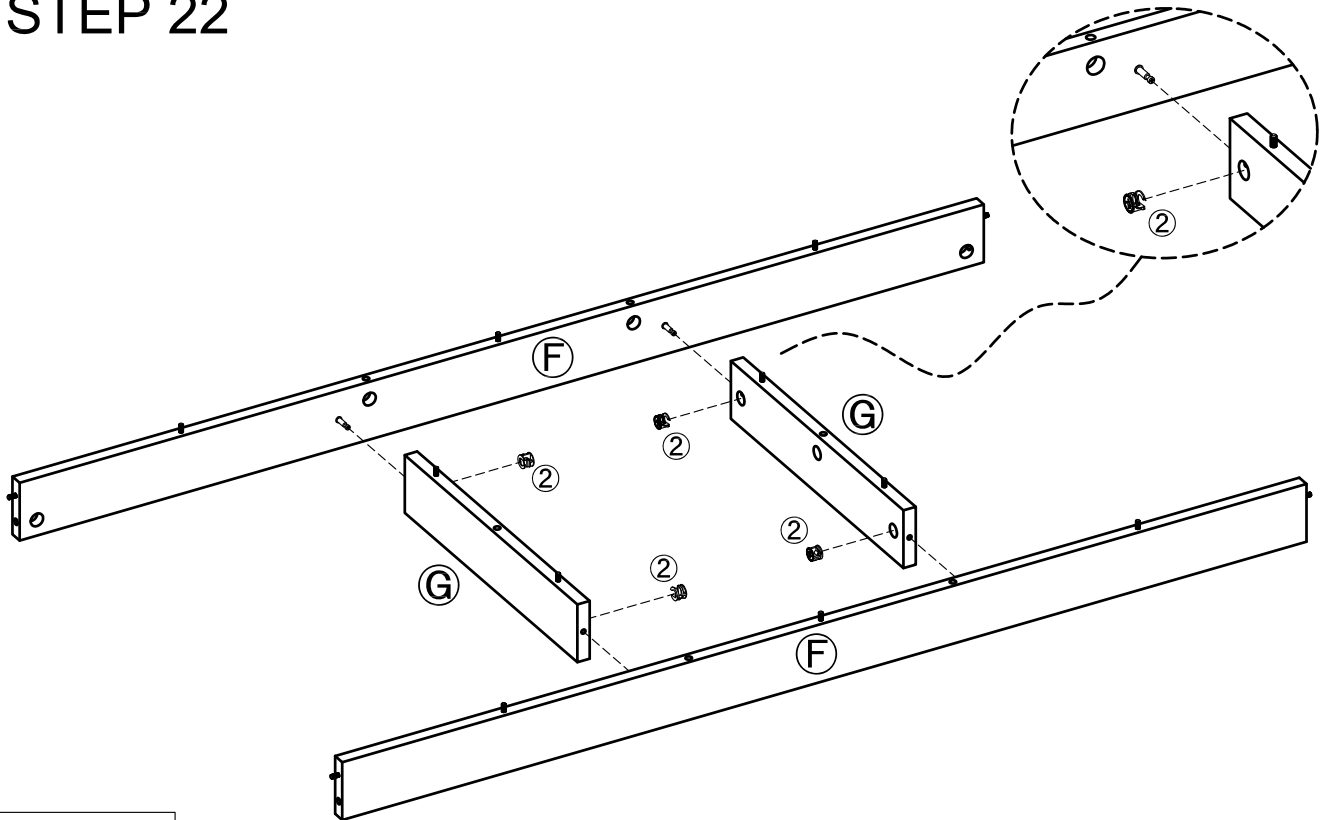
5



12pcs



STEP 22

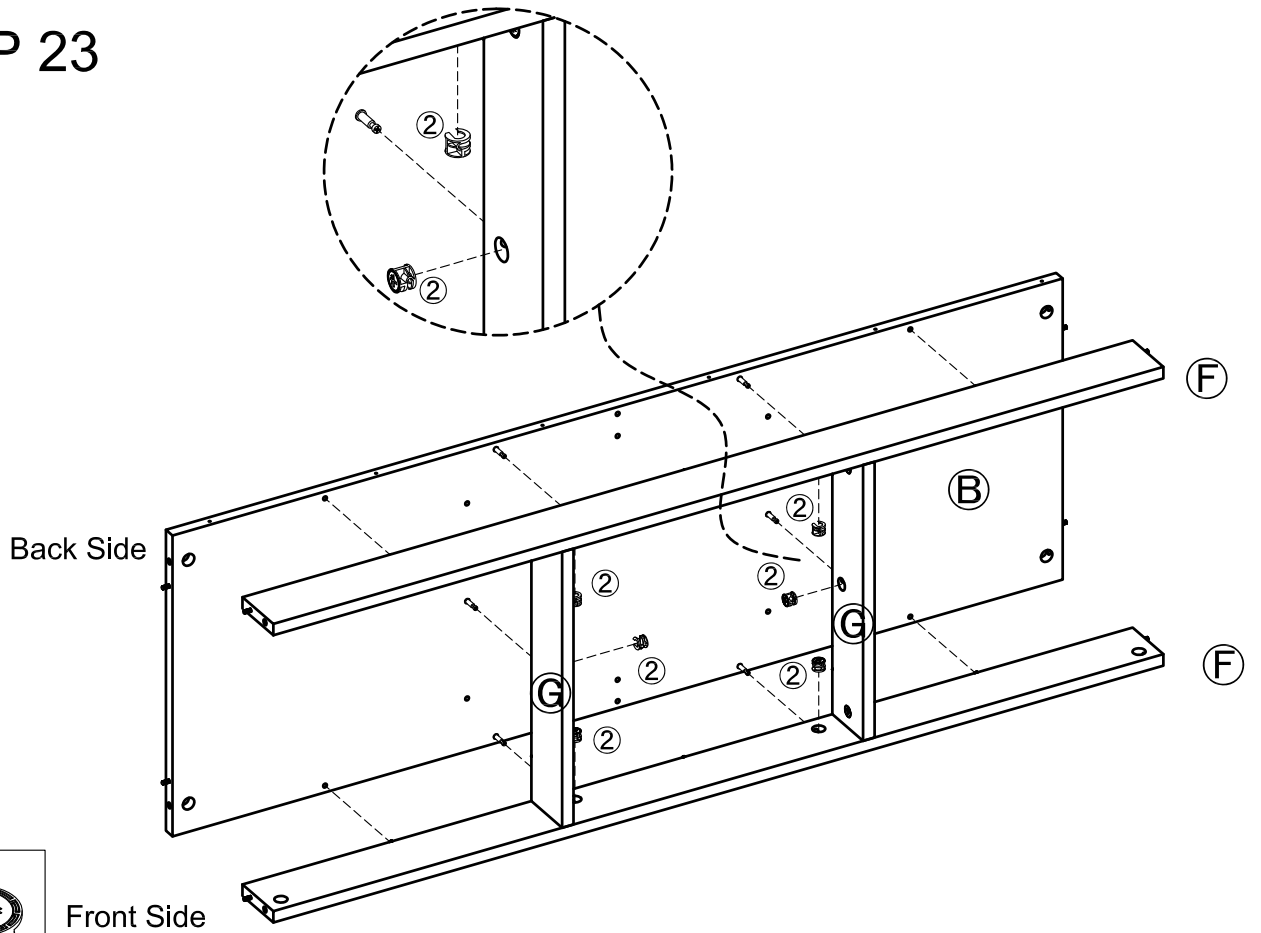


2



4pcs

STEP 23



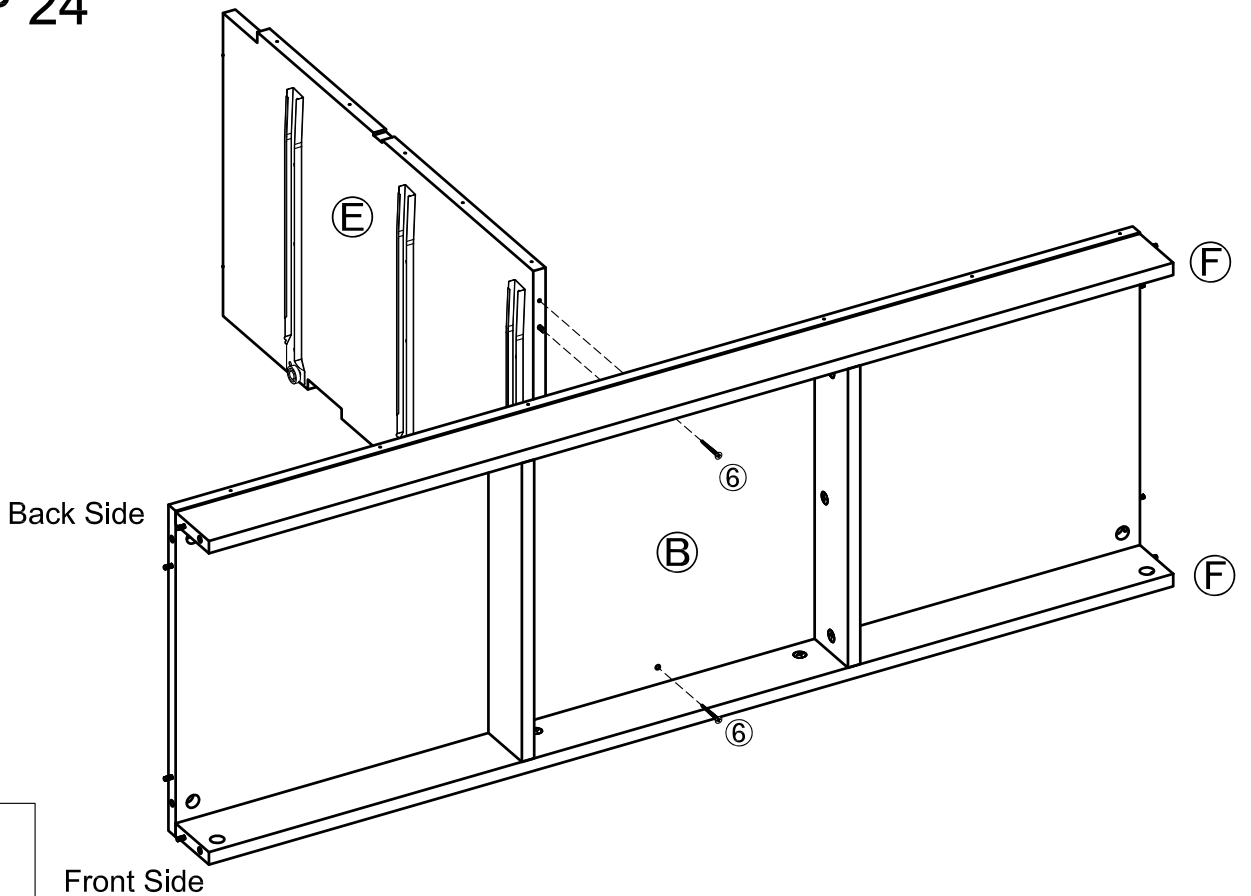
②



6pcs

Front Side

STEP 24



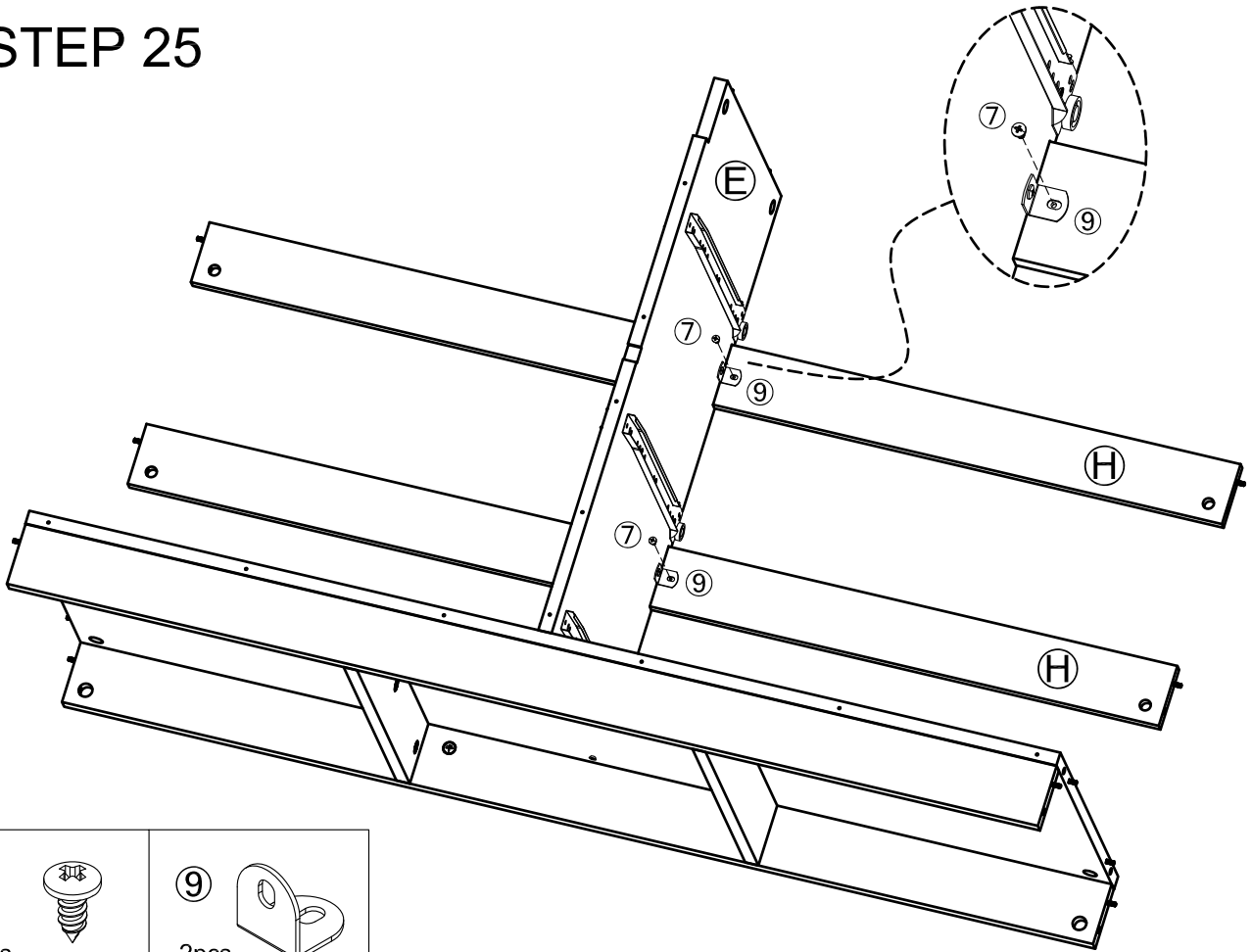
⑥



2pcs

Front Side

STEP 25

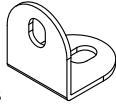


7



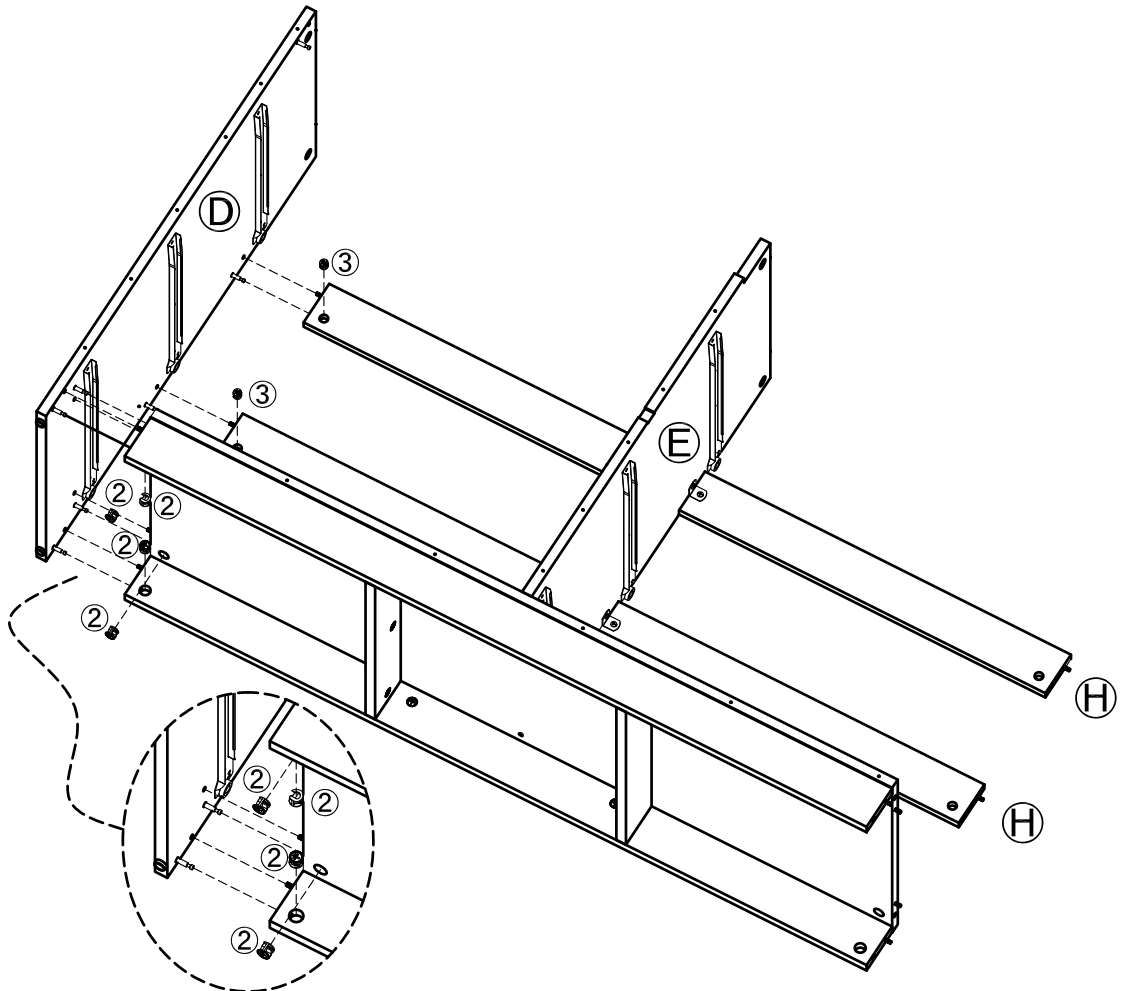
2pcs

9



2pcs

STEP 26

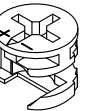


2



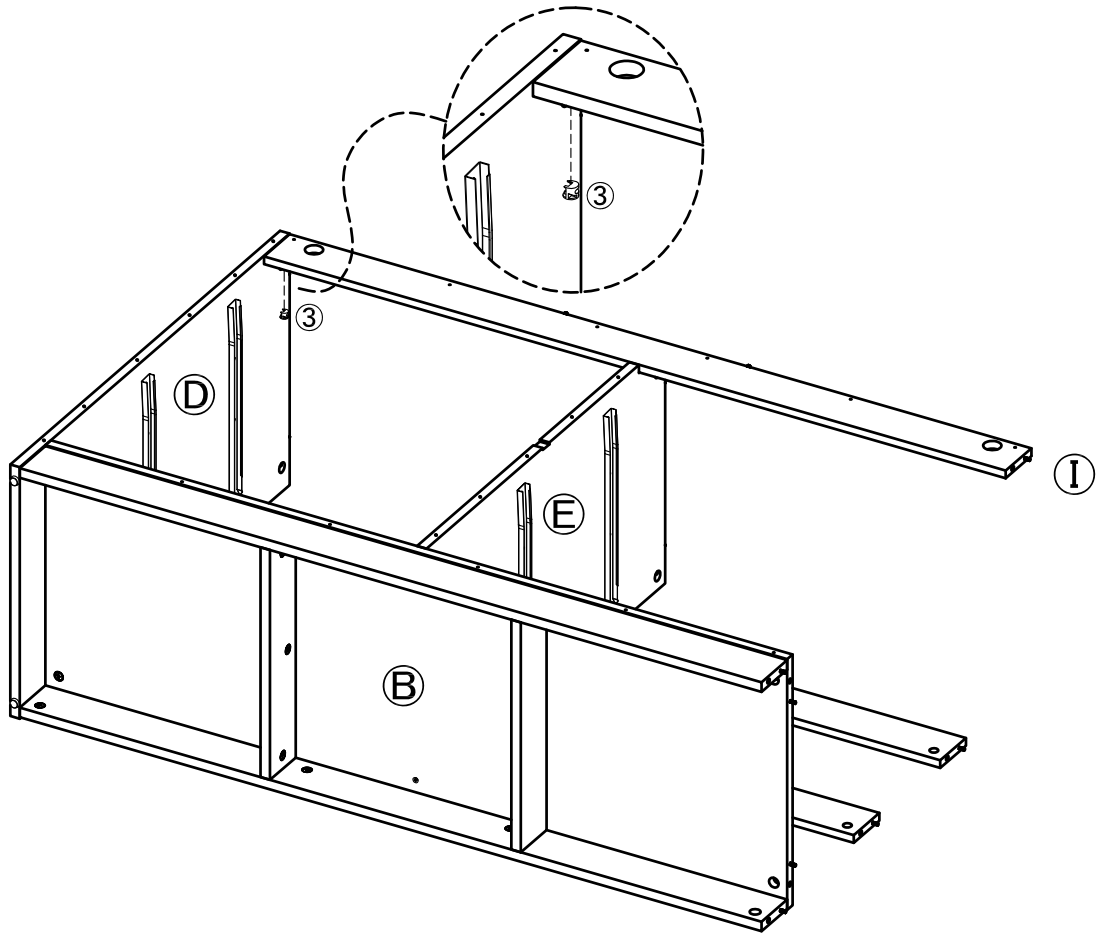
4pcs

3

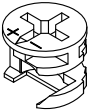


2pcs

STEP 27

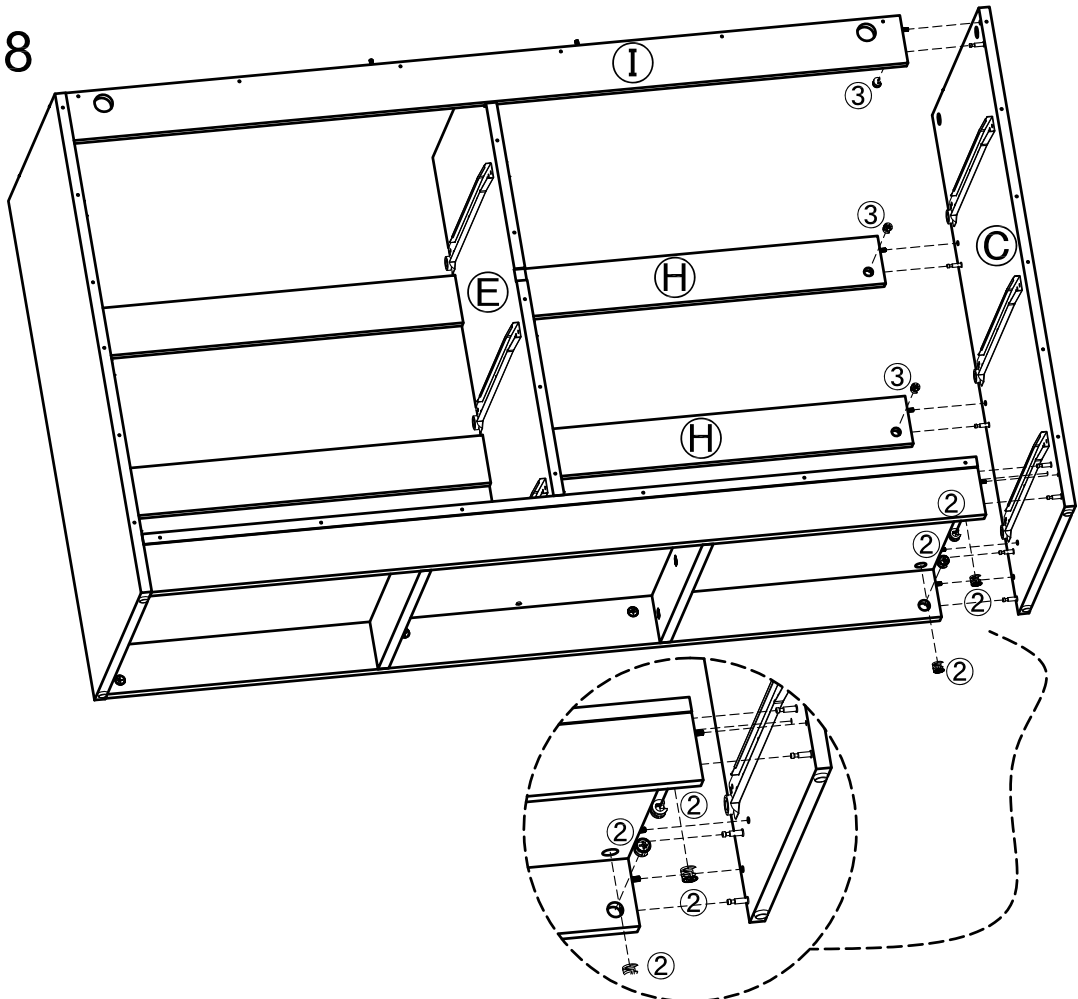


③



1pc

STEP 28

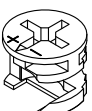


②



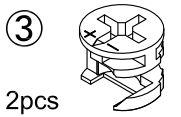
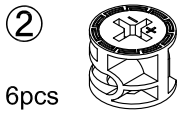
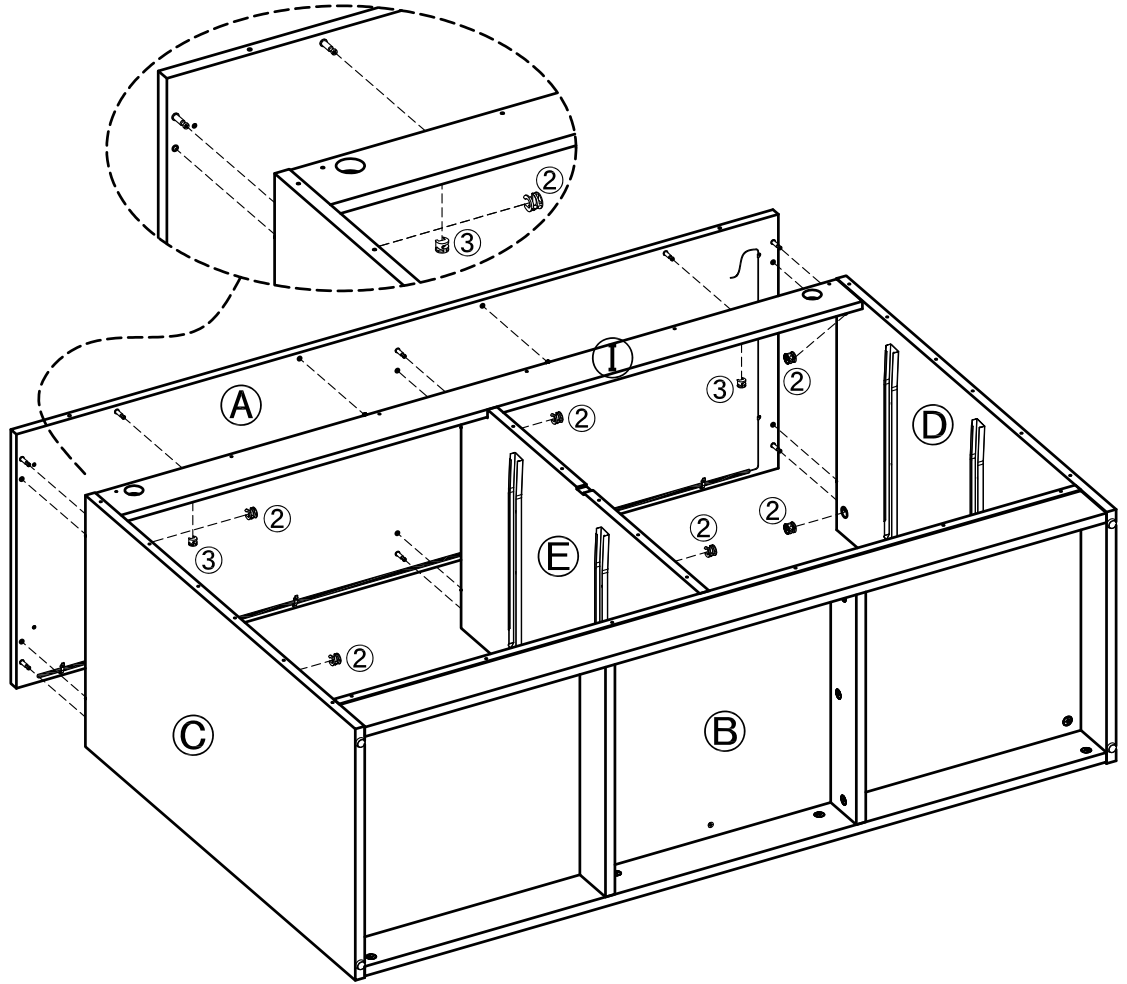
4pcs

③

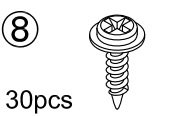
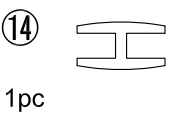
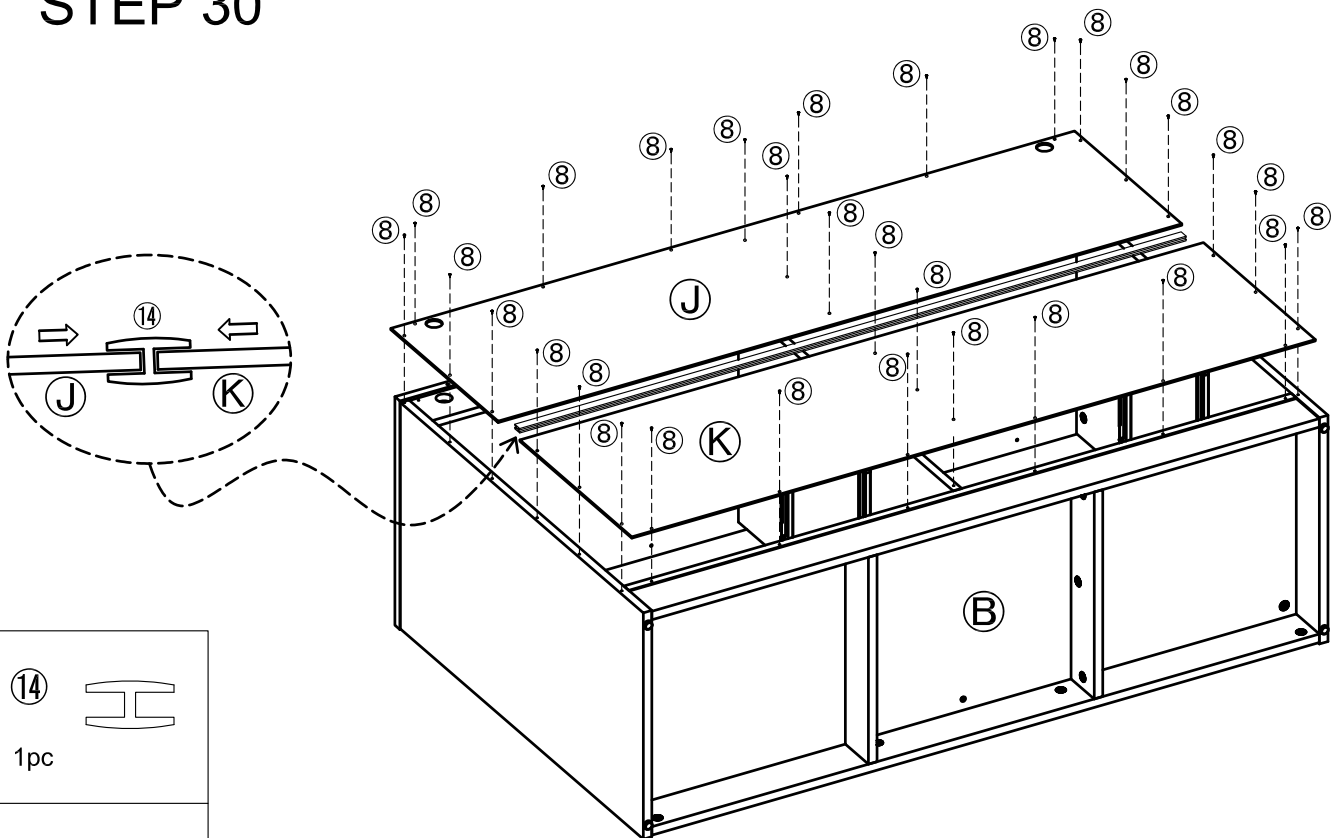


3pcs

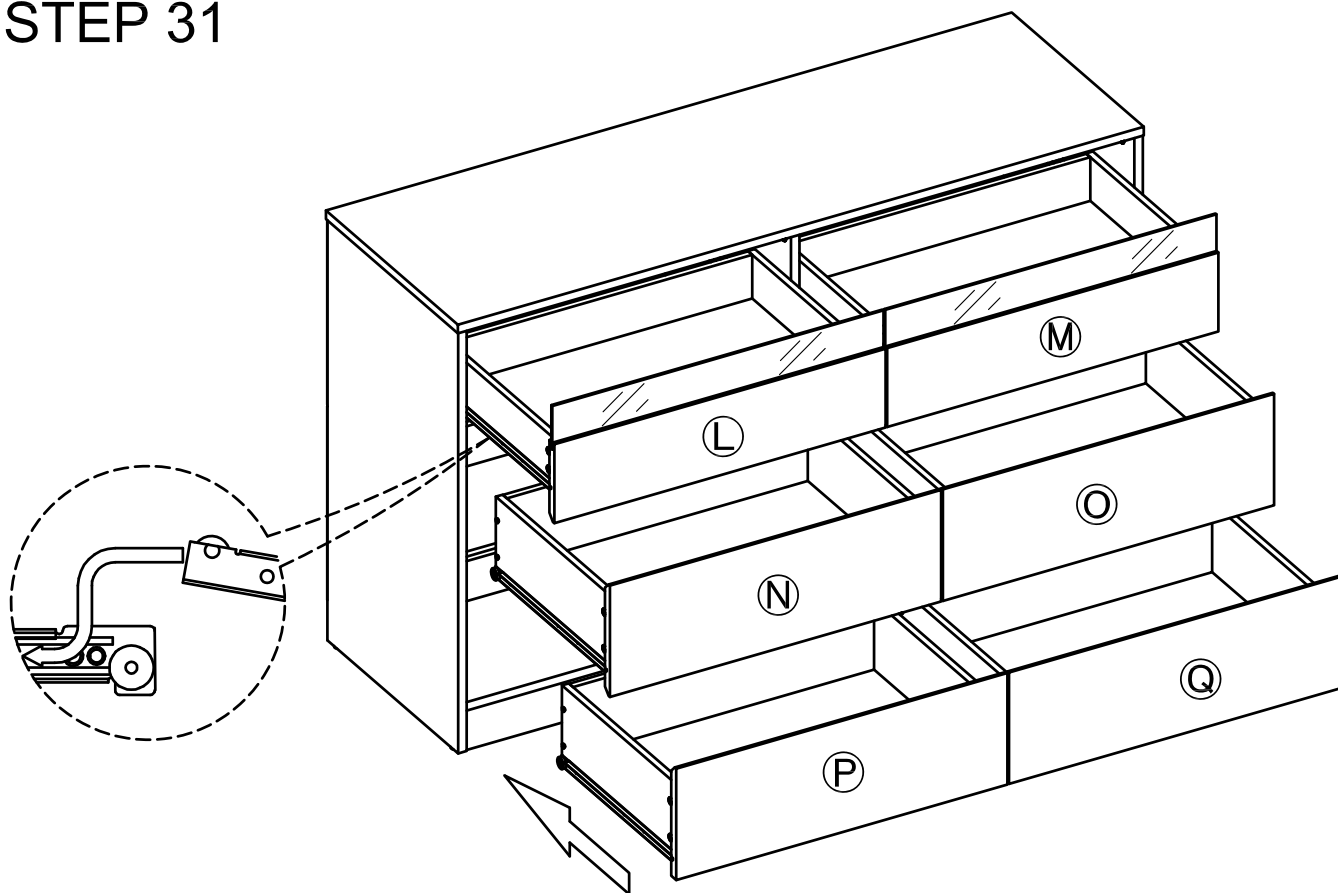
STEP 29



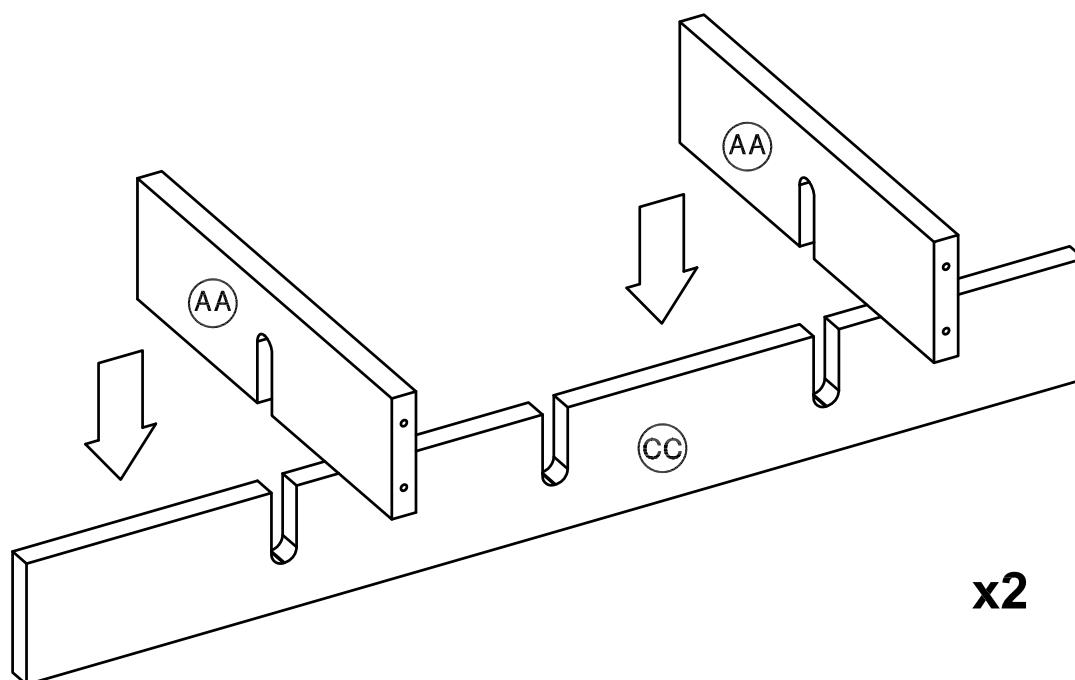
STEP 30



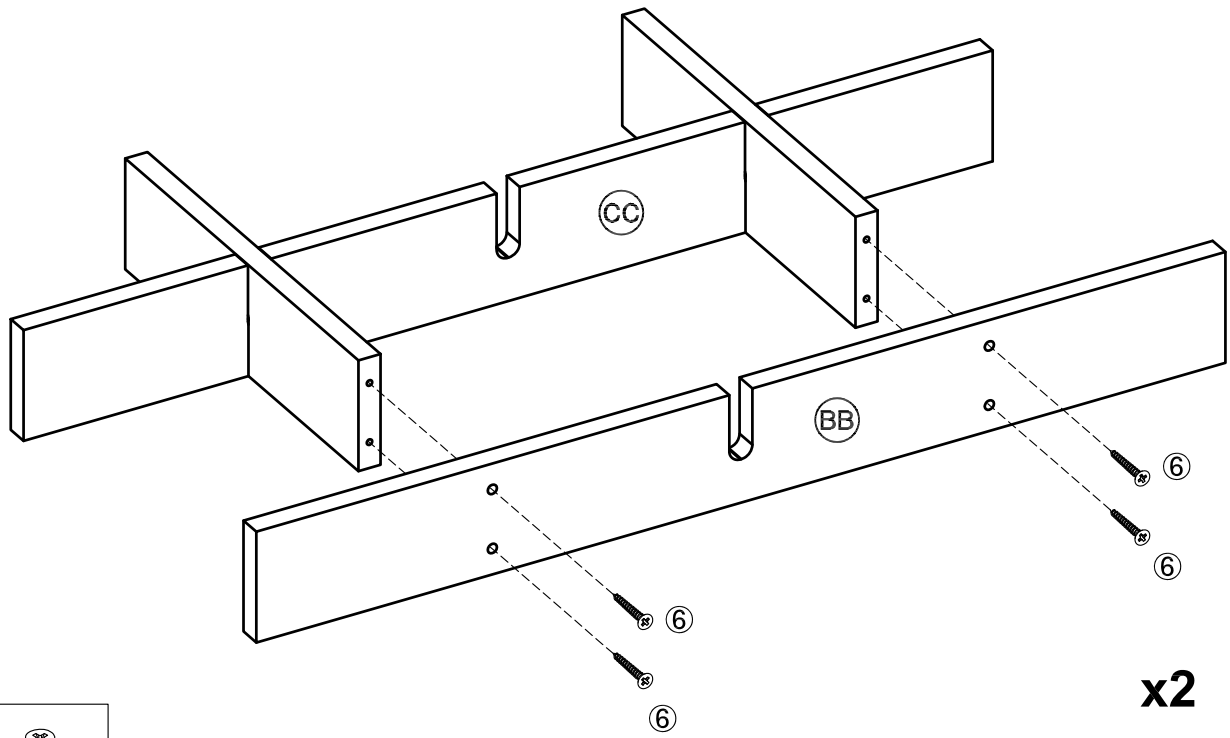
STEP 31




STEP 32

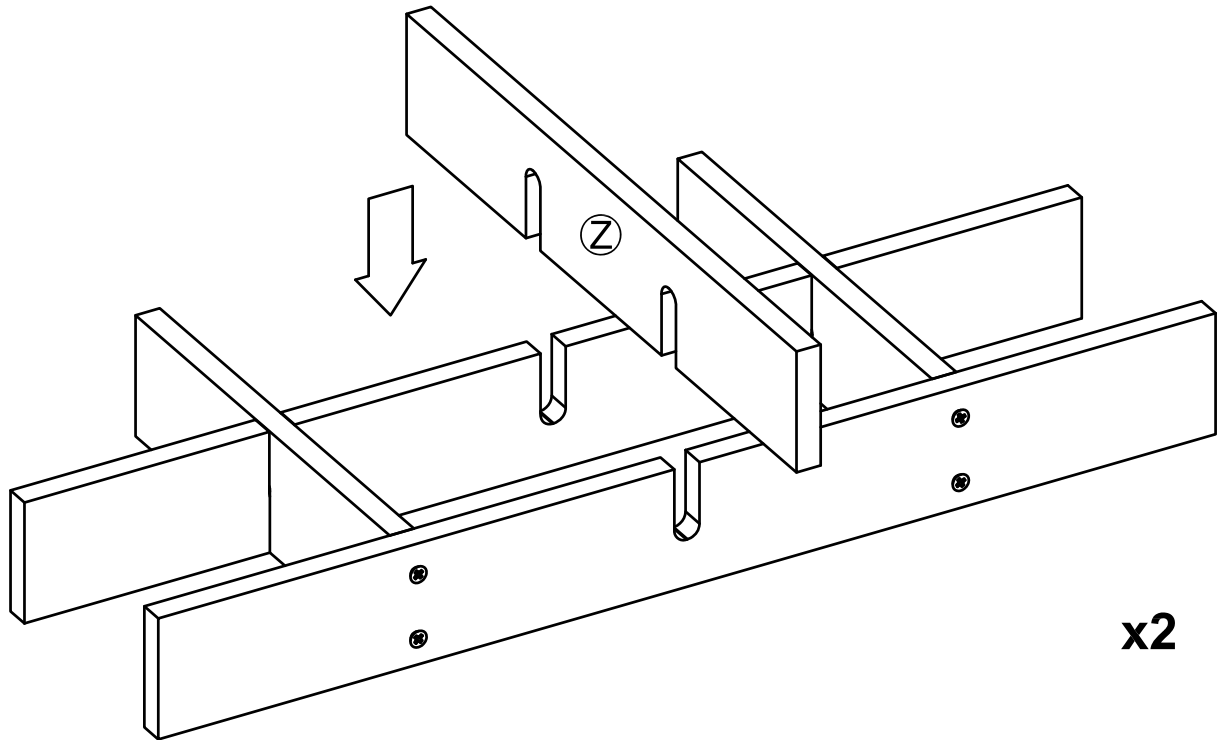


STEP 33

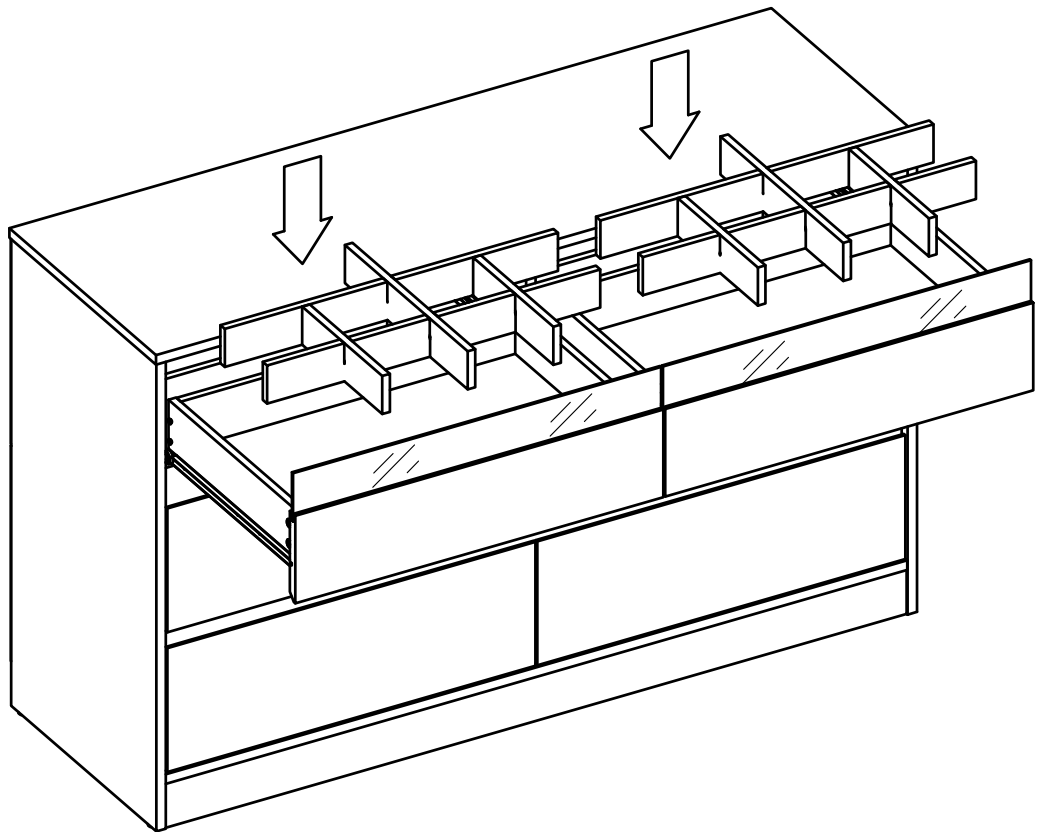


⑥ 
8pcs

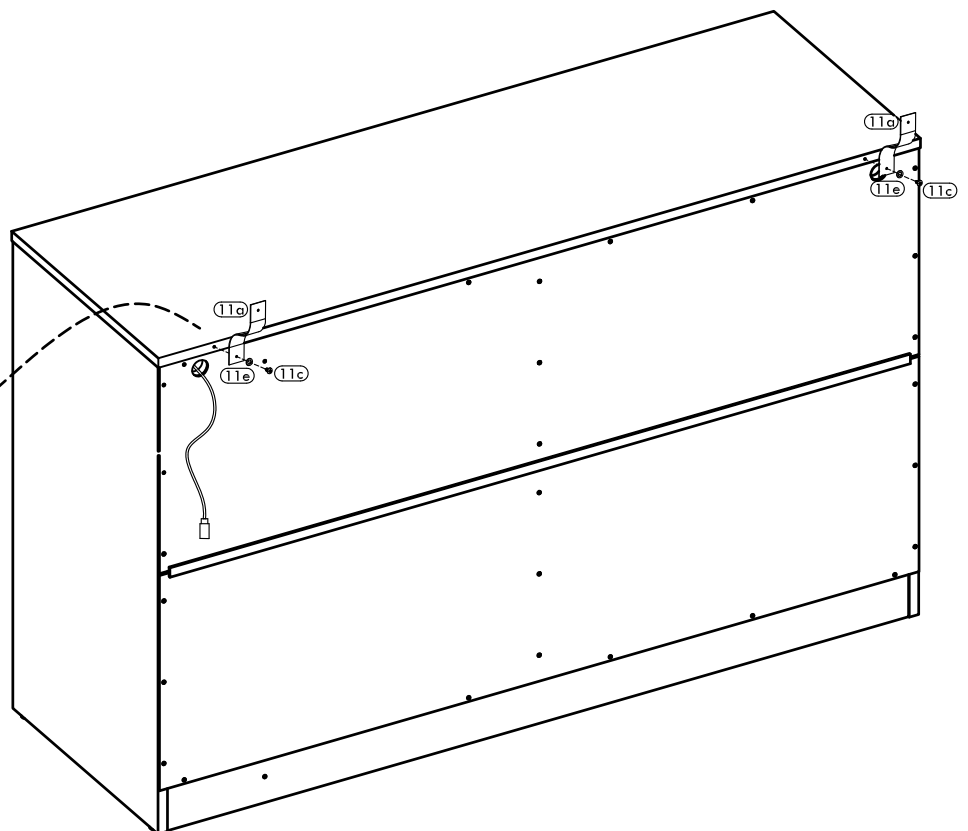
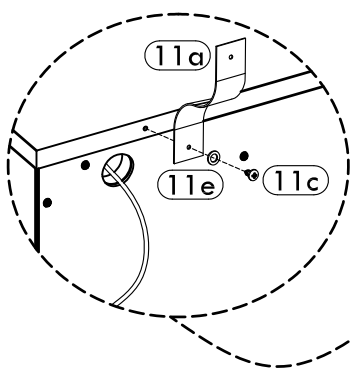
STEP 34



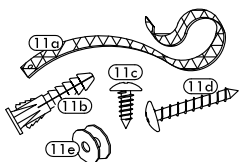
STEP 35



STEP 36



⑪



2sets

STEP 37

