

DINING CHAIR ASSEMBLY INSTRUCTION

Thank you for purchasing this quality product. Be sure to check all packing material carefully for small parts which may have come loose inside the carton during shipment. Separate, identify and count all parts and hardware. Compare with the parts list to be sure all parts are present.

IMPORTANT : PLEASE READ INSTRUCTION BEFORE STARTING THE ASSEMBLY.

"DO NOT TIGHTEN SCREWS UNTIL COMPLETELY ASSEMBLED"

"DO NOT OVERTIGHT ANY HARDWARE"

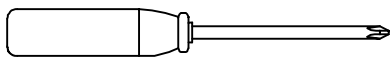
WARNING : SMALL PARTS AND HARDWARE NOT FOR CHILDREN UNDER 3 YEARS. ADULT ASSEMBLY REQUIRED.

TABLE OF CONTENTS

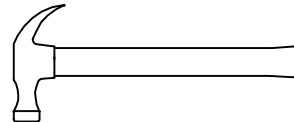
HARDWARES LIST	PAGE 2
PARTS LIST	PAGE 3
PARTS' LOCATION	PAGE 4
ASSEMBLY STEPS	PAGE 5
ASSEMBLY COMPLETED	PAGE 6

ASSEMBLY TOOLS REQUIRED

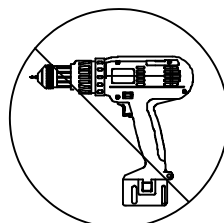
1. Screwdriver (not provide)



2. Hammer (not provide)




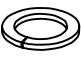




Skip the power drill this time.



DINING CHAIR ASSEMBLY INSTRUCTION

HARDWARES LIST

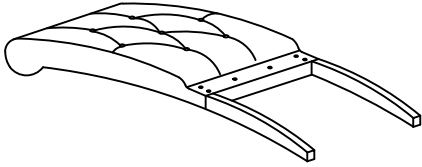
ITEM	DESCRIPTION	DRAWING	QTY
A	JCBC SCREW M6 x 45MM		4 PCS
B	JCBC SCREW M6 x 60MM		8 PCS
C	JCBC SCREW M6 x 80MM		8 PCS
D	SPRING WASHER M6 x 12mm		20 PCS
E	FLAT WASHER M6 x 19mm		20 PCS
F	M4 ALLEN KEY (100MM)		1 PC

There are total **THREE (3)** packs of hardware packs.
Each hardware pack includes the hardware for **TWO (2)** chairs.

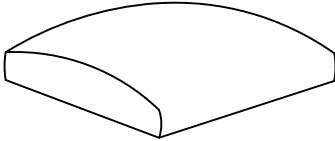
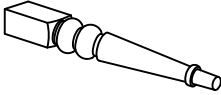
DINING CHAIR ASSEMBLY INSTRUCTION

PARTS LIST

BOX 1

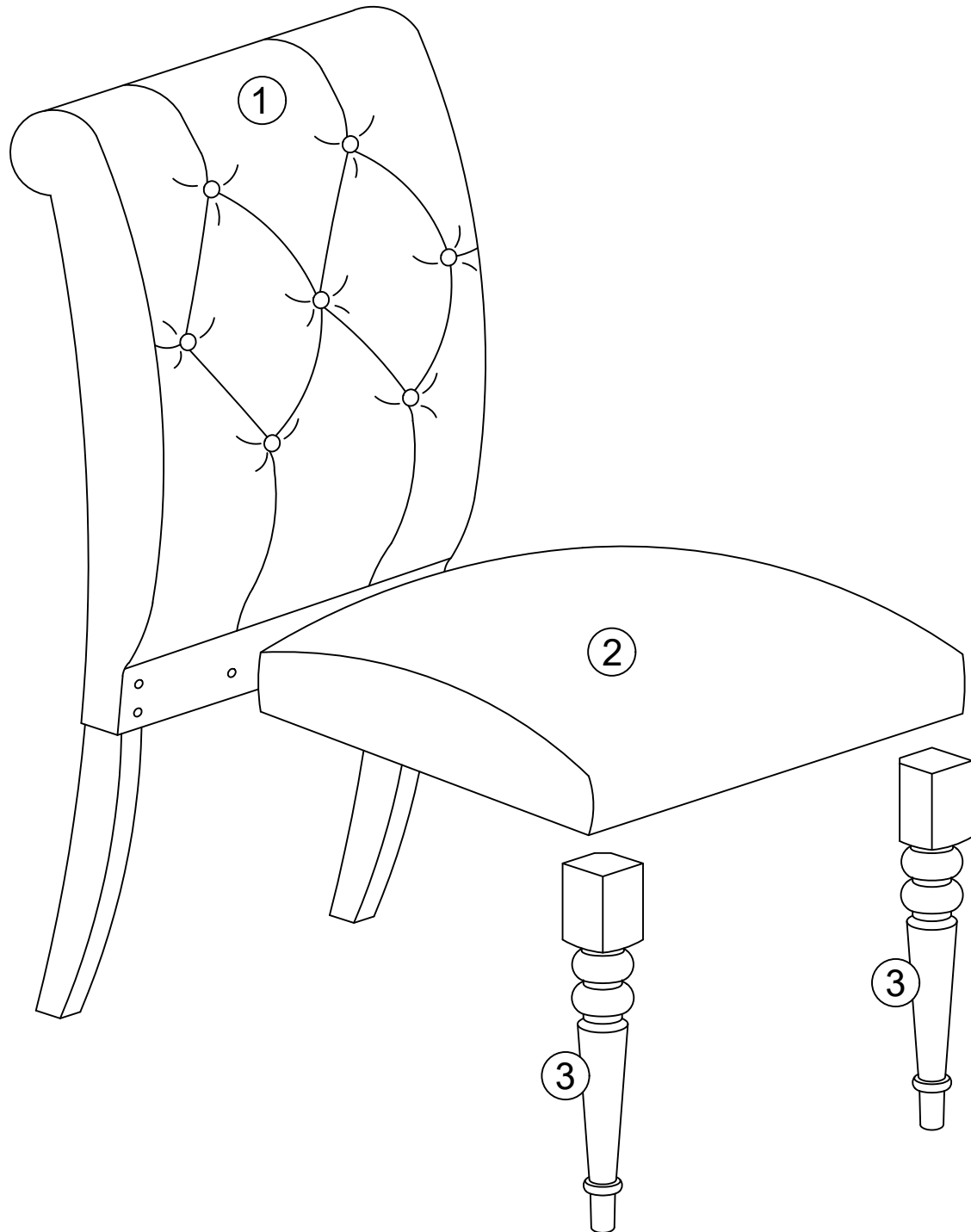
ITEM	DESCRIPTION	DRAWING	QTY
1	BACKREST		6 PCS

BOX 2

2	SEAT		6 PCS
3	FRONT LEG		12 PCS

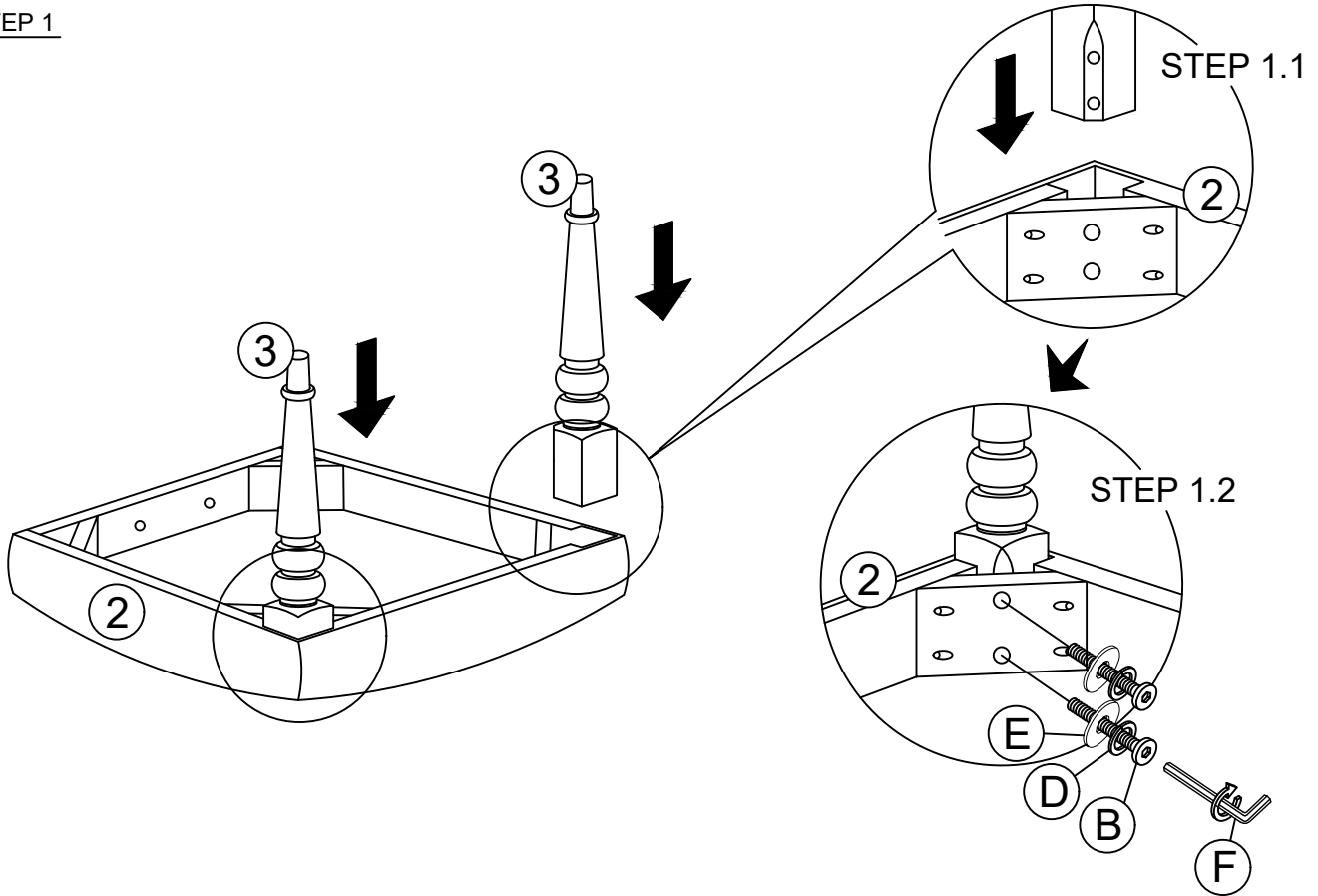
DINING CHAIR ASSEMBLY INSTRUCTION

PARTS ' LOCATION

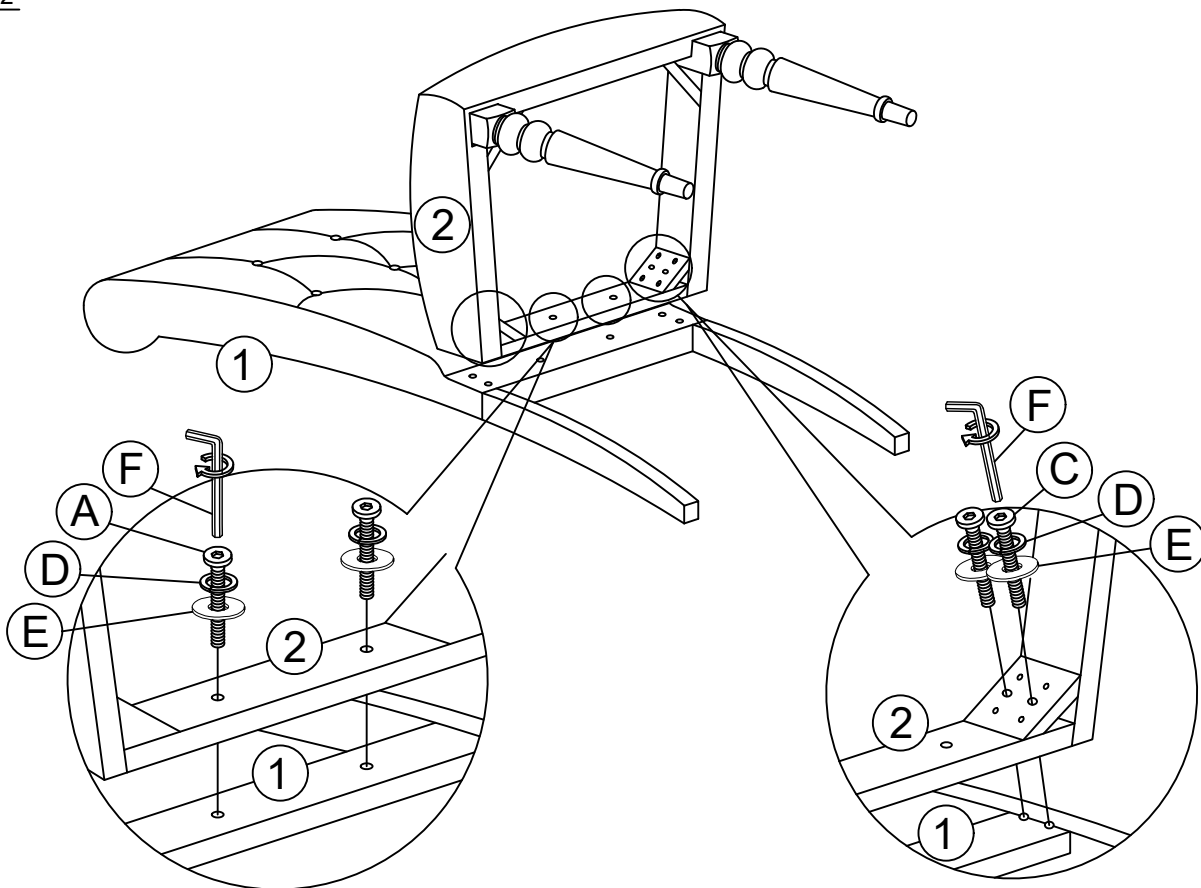


DINING CHAIR ASSEMBLY INSTRUCTION

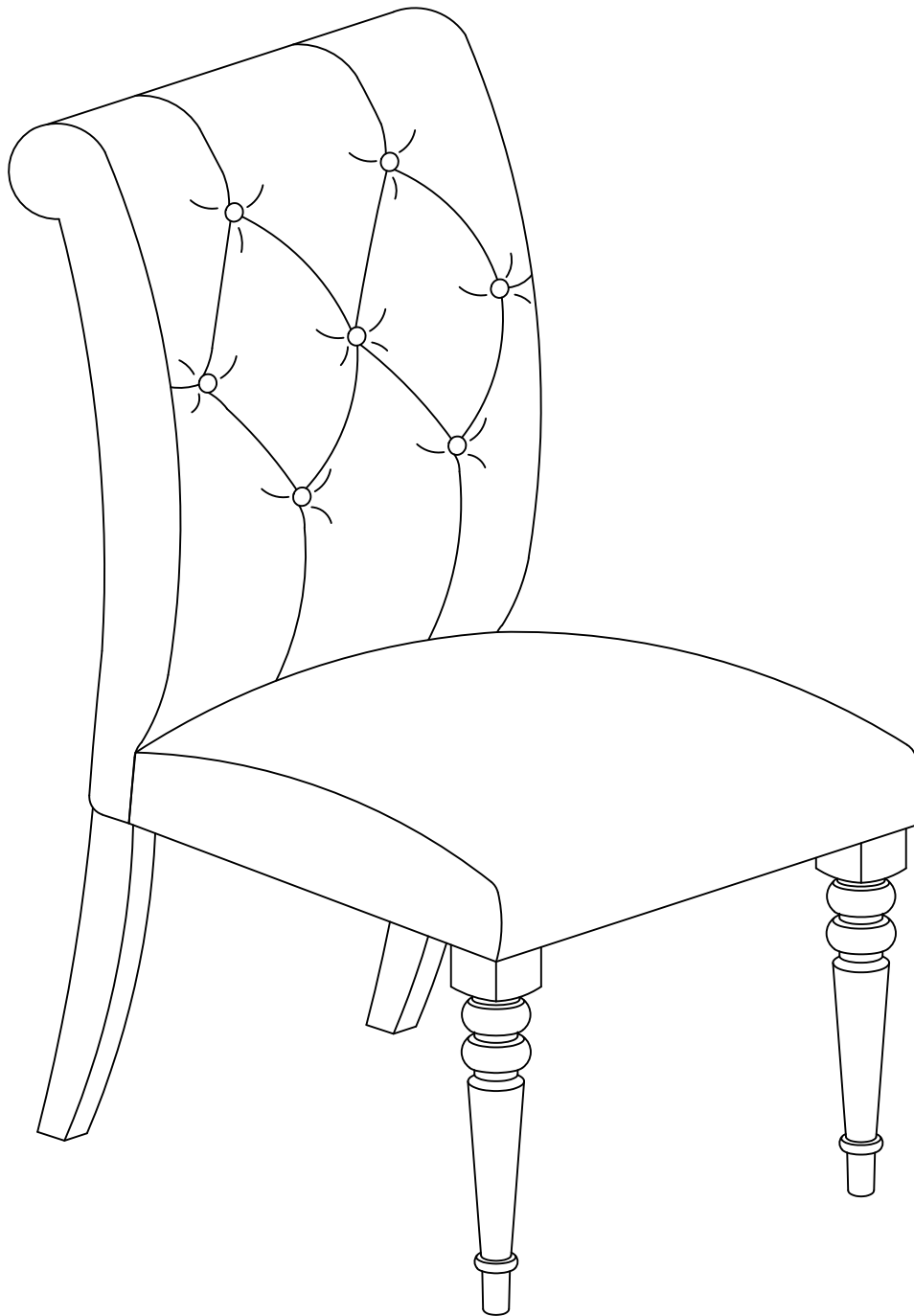
STEP 1



STEP 2



DINING CHAIR ASSEMBLY INSTRUCTION



**ASSEMBLY
COMPLETED**