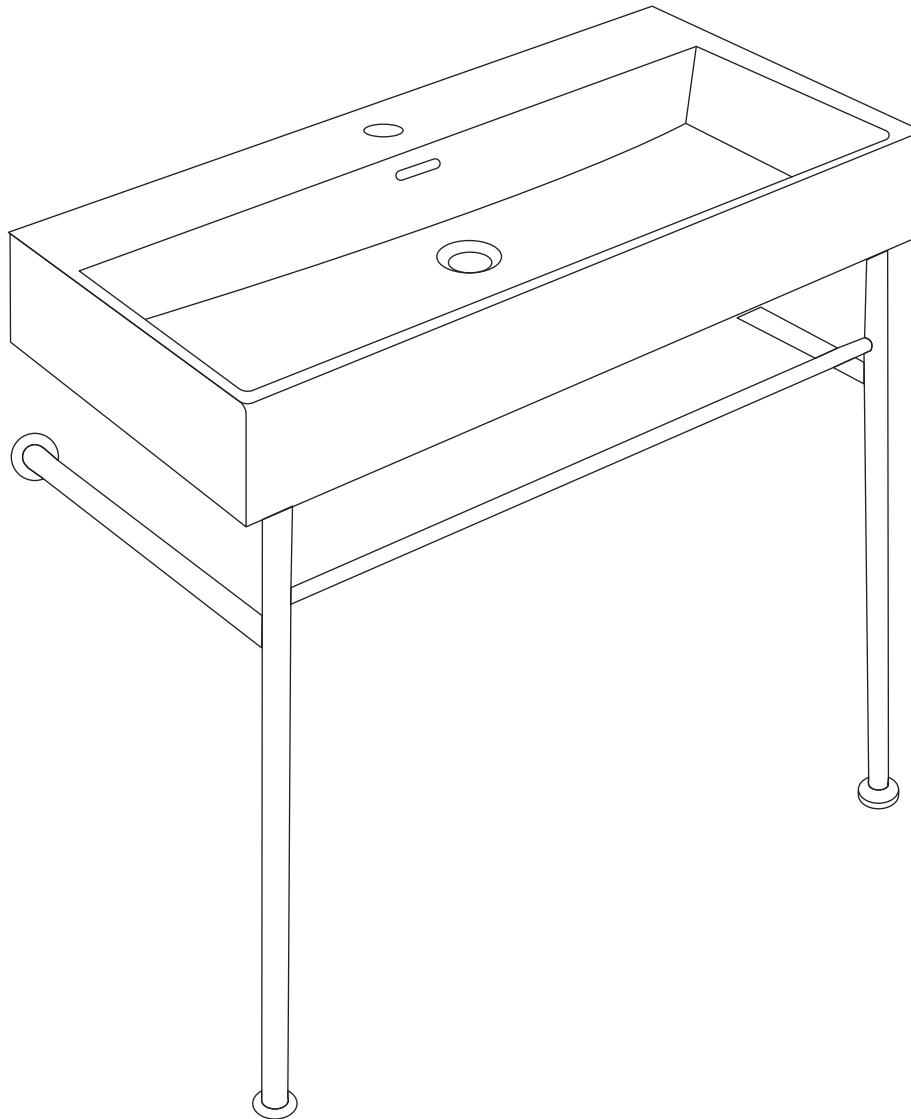


Console Sink INSTALLATION INSTRUCTIONS

Swiss Madison
well made forever



@SwissMadison
#WellMadeForever





PRIOR TO INSTALLATION:

- Inspect product to ensure no damages have occurred while in shipping.
- Observe all plumbing and building codes in accordance with your state and local requirements.
- Floor must be level prior to installation.
- Console height is not adjustable.
- All dimensions are nominal! Be sure to measure your sink prior to installation.
- The step-by-step guidelines in the installation instructions are a general reference. Should there be any discrepancies, Swiss Madison cannot be held liable. It is recommended to install all Swiss Madison products by hiring a licensed professional.
- Read installation and maintenance instructions thoroughly before installing. Be sure to use proper tools and always wear proper personal safety accessories for your protection.
- Two people are recommended to install and move this product.

If you have any questions or concerns please contact us:
1-434-623-4766
info@swissmadison.com

SUGGESTED TOOLS & MATERIALS:



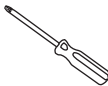
Safety Glasses



Wrench



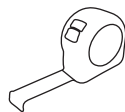
Caulk



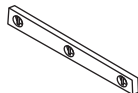
Screwdriver



Drill

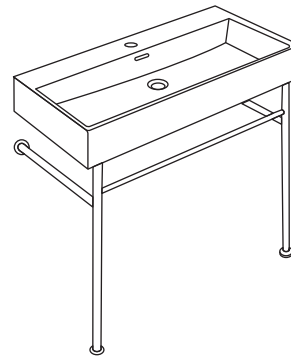


Tape Measure

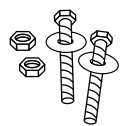


Level

INCLUDED PARTS:



Console Sink & Legs

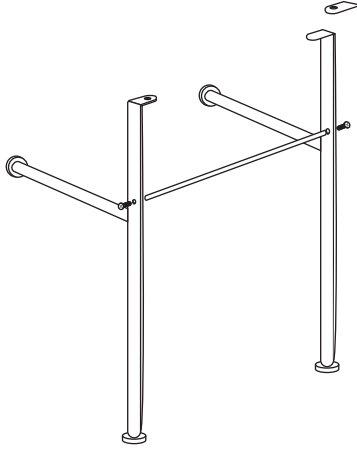


Mounting Hardware

1. Assemble Console

· Using the provided hardware assemble the console as illustrated.

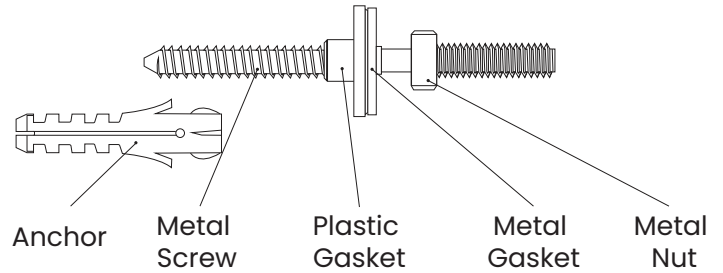
NOTE: Height of console is NOT adjustable.



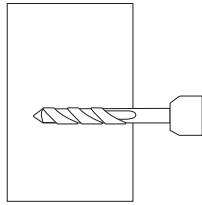
2. Install Sink

· Use your assembled console to mark on the wall where the bottom of the sink should rest.
· Following the steps illustrated below, install your sink.

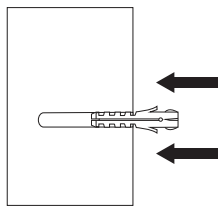
NOTE: Make sure your sink is LEVEL before marking and securing into place.



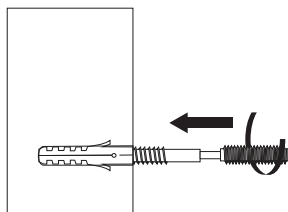
2a. Drill two holes in the required position on the wall using a 14mm masonry drill bit, to a depth of 75mm.



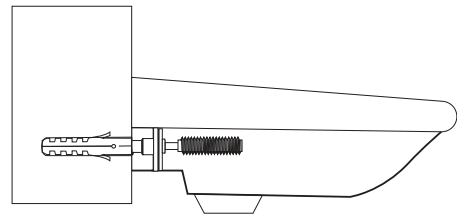
2b. Push an anchor into each hole.



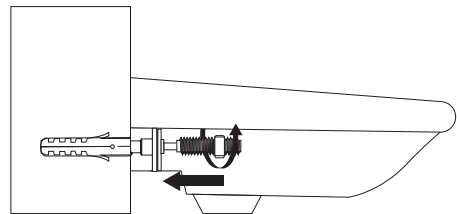
2c. Screw a fixing bolt into each anchor using an 8mm spanner until the spanner contacts the wall.



2d. Place the basin in position against the wall. Locating the fixing bolts through the holes in the rear of the basin. Push a plastic washer followed by a metal washer, onto each fixing bolt.



2e. Screw a metal nut onto each fixing bolt to secure the basin. Caution: Do not over-tighten, as this may damage the ceramic.



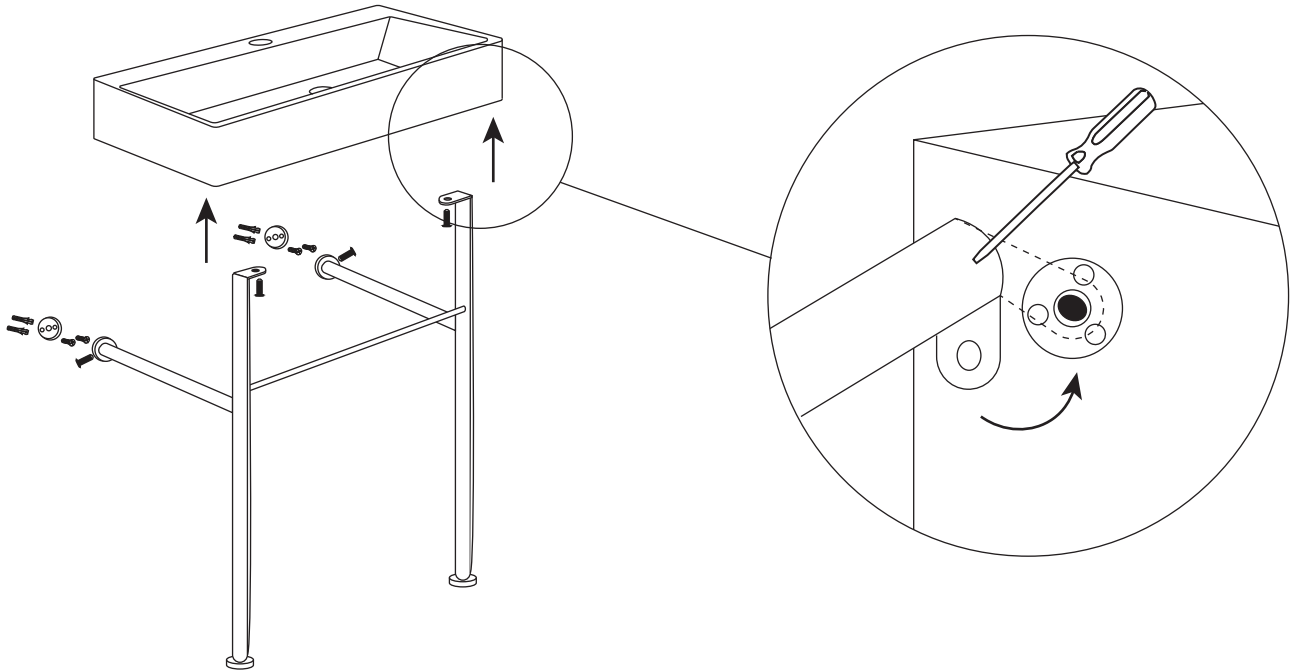
NOTE: These fixings are suitable for solid walls only. Plasterboard or stud walls may require specialist fixings (not supplied).

CAUTION: Take care when drilling walls and floors to avoid any concealed wires or pipes.

3. Install Console

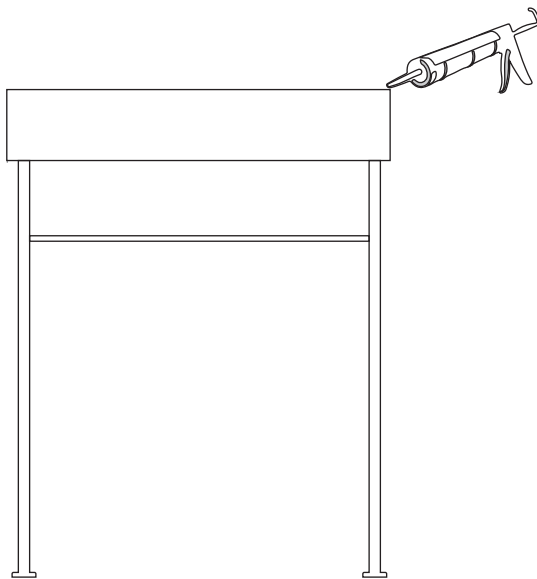
- Secure your console underneath the sink and to the wall.

NOTE: Solder lug washer may need to be adjusted to properly align your console legs with the sink.



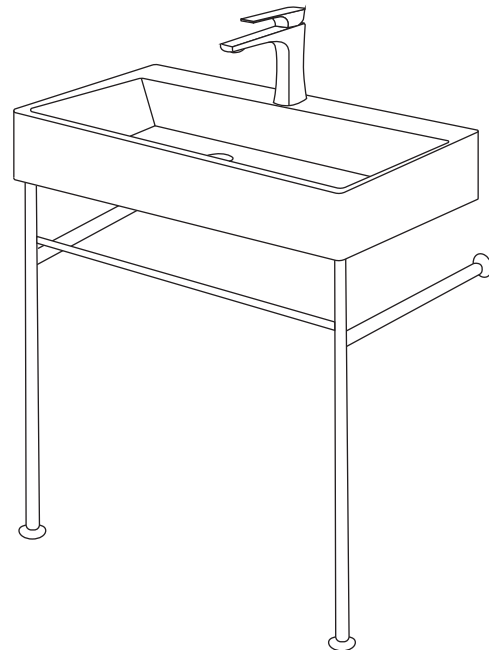
4. Seal Sink

- Apply a bead of caulk around the back edge of the sink where it meets the wall.



5. Install Plumbing Fixtures

- Connect drain trap to drain, and water supply connections to faucet according to manufacturer's instruction.
- Run water into sink and check for leaks.



ONE YEAR LIMITED WARRANTY

Swiss Madison® products are made with quality materials and excellent craftsmanship to provide our customers with beautiful, durable, long-lasting products. Should there be any defects in materials or craftsmanship under regular use that are discovered within the first year of installation, Swiss Madison® will provide replacement parts at no charge, or at its discretion, replace any product or part of the product that is deemed defective, under normal installation, use, service or maintenance. This warranty applies only to the original purchaser. Proof of purchase will be required in the instance of a claim.

Swiss Madison® recommends all installations of Swiss Madison® products to be conducted by a licensed, professional plumber or contractor. Swiss Madison® will not be held responsible for any damage or product failure due to improper installation, misuse, or failure to utilize a licensed professional for installation. Swiss Madison® is not responsible for any installation or removal costs.

This One Year Limited Warranty Will Be Voided If:

- The installation recommendations were not followed by the installer
- The product has been moved from its initial place of installation
- The product has in any way been modified from its packaged state
- The product has been subjected to improper maintenance, abuse, misuse, excessive use of chemicals, accidents, or other damages, etc.

Swiss Madison® makes no implication that its products comply with any local building or plumbing codes. It is the consumer's responsibility and obligation to determine local code compliance prior to and during installation. This warranty extends only to the original purchaser and first consumer.

Swiss Madison® is not responsible for any special, incidental or consequential damages associated with the installation, replacement, return or use of the original purchaser's product. This includes, but is not limited to: freight costs, labor, travel time, lost profit, home damages and other contingent liabilities and costs (including, without limitation, costs associated with 'professionals' or 'experts', investigations, audits, analyses, attorneys and any other professional/hired services).

The Swiss Madison® warranty is a comprehensive and explicit limit of liability. All items not disclosed within the warranty are not addressable within the responsibility of Swiss Madison®. Certain states have variances regarding implied warranties; in those situations, we remain fully compliant.

**If you have any questions or concerns, please contact us directly at
1-434-MADISON (623-4766)**

⚠ WARNING: Contents of your order may contain sharp and possibly other harmful pieces and may cause hazard to children and adults. Swiss Madison® is not responsible in any way for personal damages.